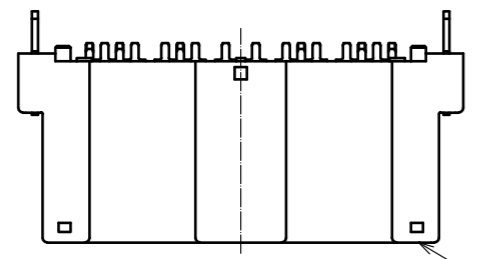
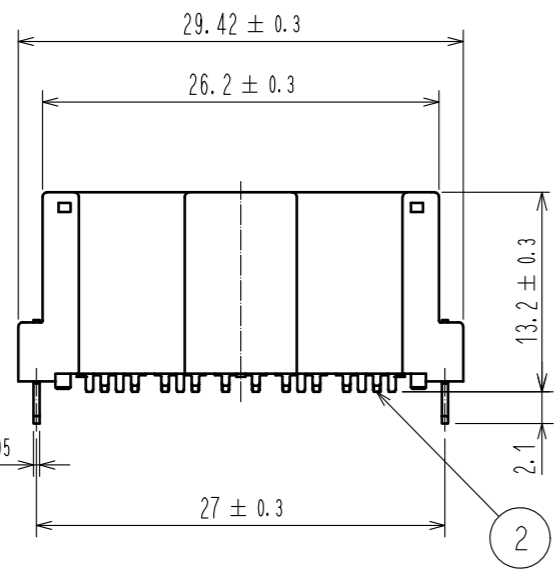
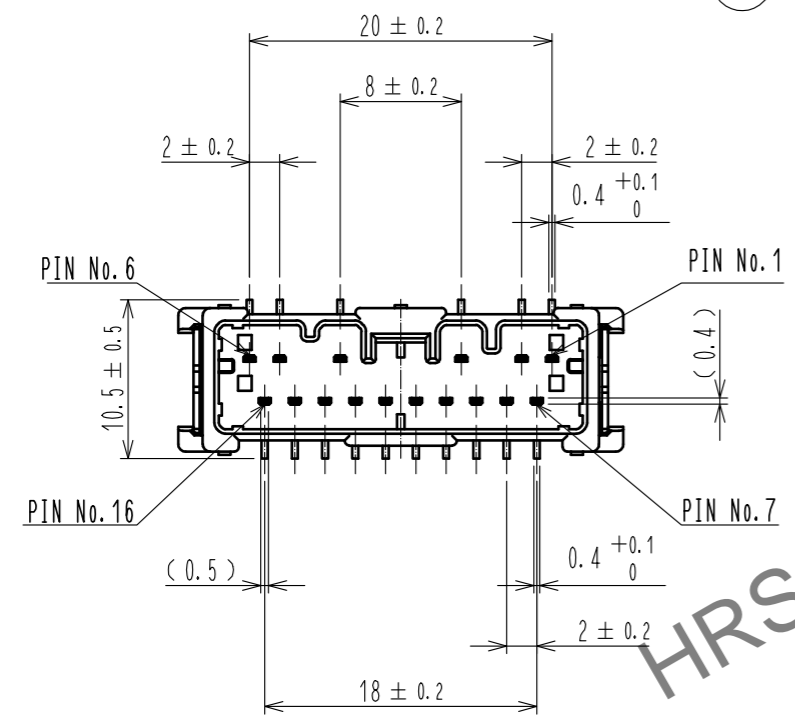


Aug.1.2024 Copyright 2024 HIROSE ELECTRIC CO., LTD. All Rights Reserved.
In case of consideration for using Automotive equipment / device which demand high reliability, kindly contact our sales window correspondents.

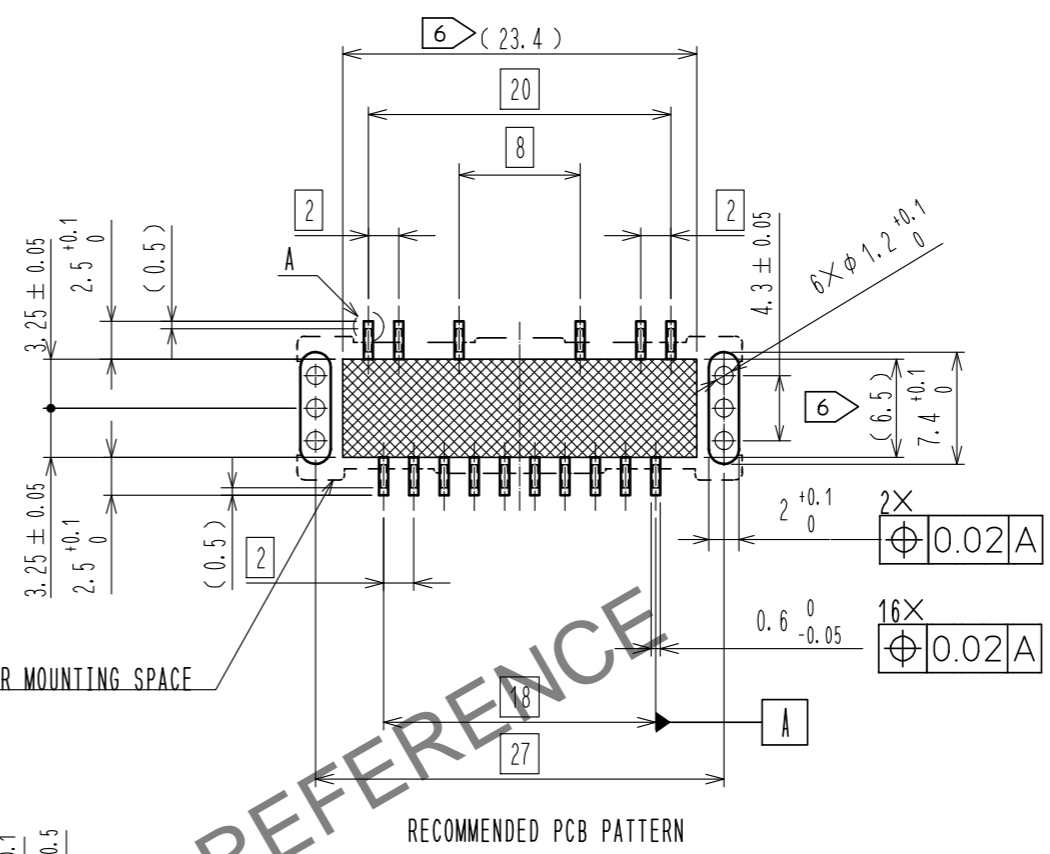
ELV, RoHS COMPLIANT



1

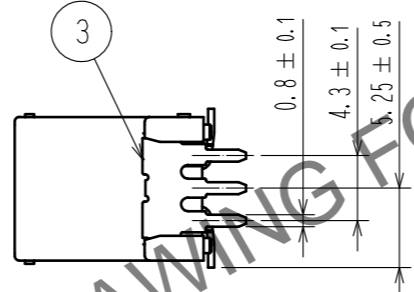
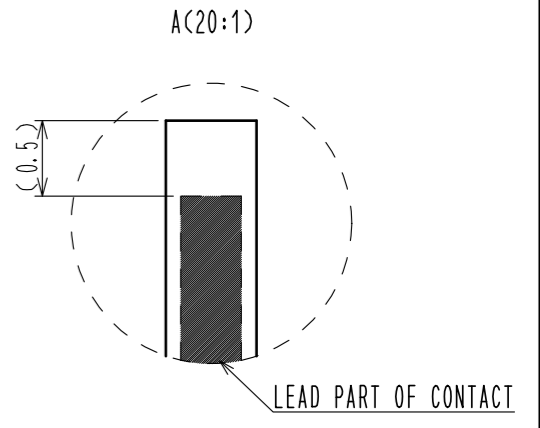


2

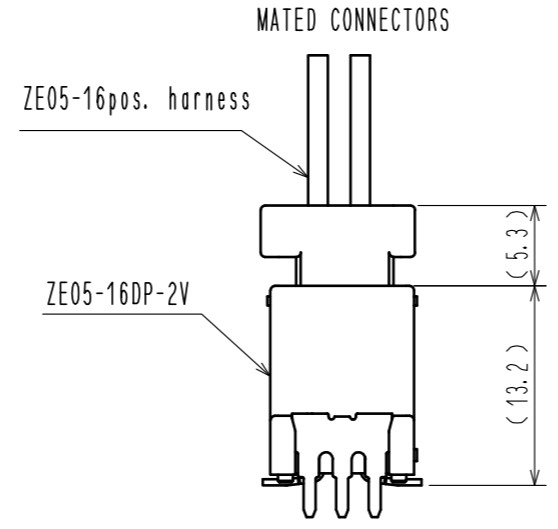


CONNECTOR MOUNTING SPACE

RECOMMENDED PCB PATTERN

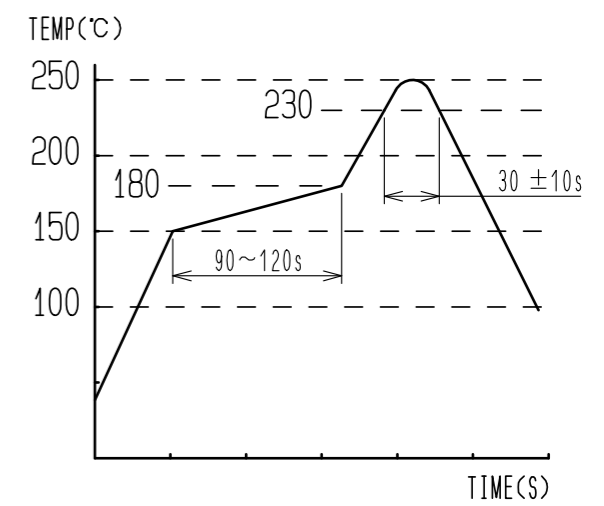


3



MATED CONNECTORS

- NOTE 1. RECOMMENDED TEMPERATURE PROFILE FOR REFLOW (REFER TO RIGHT FIG.)
USED REFLOW SYSTEM
: IR IN THE AIR OR NITROGEN
NO. OF CYCLES : 2 MAX
PEAK : 250°C
OVER 230°C : 20~40s
PREHEAT : 150~180°C
90~120s
2. TEMPERATURE FOR SOLDERING IRON : 280~300°C WITHIN 2s
3. CO-PLANARITY SHALL BE 0.1mm MAX.
4. RECOMMENDED PCB THICKNESS IS 1.6mm.
5. RECOMMENDED SOLDER THICKNESS IS 0.15mm.
6. : Pattern prohibited area



2	BRASS	SURFACE PLATING : TIN PLATING 1μm min UNDER PLATING : NICKEL 1μm min	6	POLYESTER			
1	PA	BLACK	5	POLYSTYRENE			
			4	POLYIMIDE	PICK & PLACE TAPE		
			3	BRASS	SURFACE PLATING : TIN PLATING 1μm min UNDER PLATING : NICKEL 1μm min		
NO.	MATERIAL	FINISH . REMARKS	NO.	MATERIAL	FINISH . REMARKS		
UNITS		SCALE	COUNT	DESCRIPTION OF REVISIONS	DESIGNED	CHECKED	DATE
mm		2 : 1	2	DIS-T-00018585	TY. IKEDA	TY. MOGI	20230711
HRS HIROSE ELECTRIC CO., LTD.		APPROVED : HH. TSUKUMO	20200804	DRAWING NO. EDC-368649-00-00			
		CHECKED : HH. TSUKUMO	20200804	PART NO. ZE05-16DP-2V			
		DESIGNED : YH. MAMADA	20200804	CODE NO. CL0752-2305-0-00			
		DRAWN : YH. MAMADA	20200804	1/2			

X-ON Electronics

Largest Supplier of Electrical and Electronic Components

Click to view similar products for [Automotive Connectors](#) category:

Click to view products by [Hirose](#) manufacturer:

Other Similar products are found below :

[60993906-B](#) [72.330.1035.1](#) [776880-1](#) [827153-1](#) [9-1326729-8](#) [9-221607-5](#) [98891-1012](#) [12004475-L](#) [12004483](#) [12033816](#) [12052466](#)
[12066163](#) [12015909](#) [12077753](#) [12336-12](#) [13579678](#) [13669373](#) [13681974](#) [13688972](#) [13796274](#) [13843152](#) [13581967](#) [13667961](#) [13669624](#)
[13675513](#) [13753471](#) [13946876](#) [13955963](#) [13971791](#) [13979933](#) [13790534-L](#) [13797473](#) [13888202](#) [1428188-1](#) [1437287-3](#) [1428188-2](#) [DS07-](#)
[19S-5020](#) [APK-SB25A10L](#) [1452931-2](#) [15317331](#) [15326397](#) [15336198](#) [15435215](#) [15459772](#) [15305306](#) [15345479](#) [15396680](#) [15544350](#)
[15482410](#) [15489904](#)