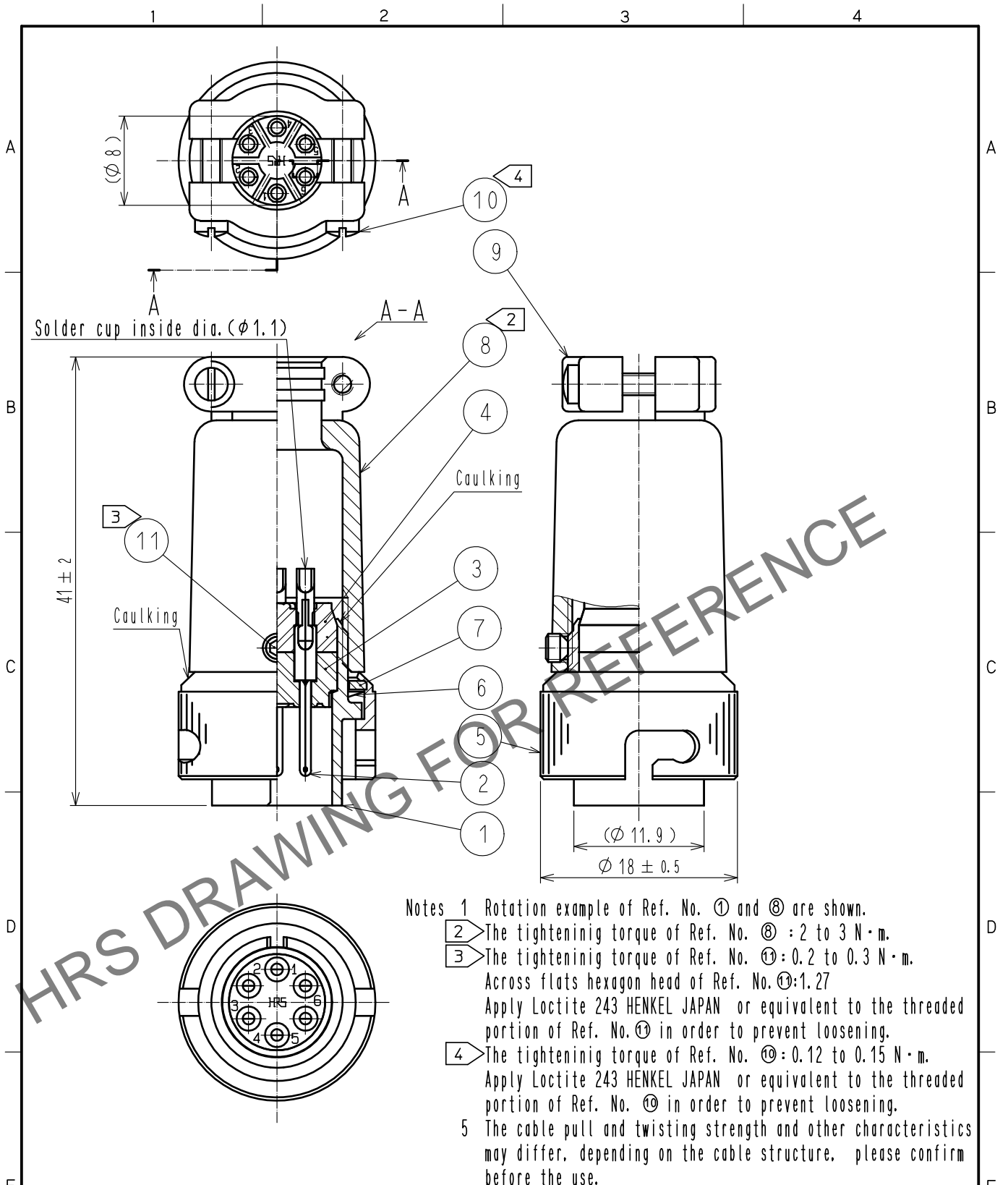


Jun.1.2024 Copyright 2024 HIROSE ELECTRIC CO., LTD. All Rights Reserved.
 In case of consideration for using Automotive equipment / device which demand high reliability, kindly contact our sales window correspondents.



Notes

- 1 Rotation example of Ref. No. ① and ⑧ are shown.
- 2 The tightening torque of Ref. No. ⑧ : 2 to 3 N·m.
- 3 The tightening torque of Ref. No. ⑩ : 0.2 to 0.3 N·m.
 Across flats hexagon head of Ref. No. ⑩: 1.27
 Apply Loctite 243 HENKEL JAPAN or equivalent to the threaded portion of Ref. No. ⑩ in order to prevent loosening.
- 4 The tightening torque of Ref. No. ⑩ : 0.12 to 0.15 N·m.
 Apply Loctite 243 HENKEL JAPAN or equivalent to the threaded portion of Ref. No. ⑩ in order to prevent loosening.
- 5 The cable pull and twisting strength and other characteristics may differ, depending on the cable structure. please confirm before the use.

6	Beryllium copper	Nickel plating			
5	Brass	Matte finish nickel plated	11	Steel	Nickel plating Hexagon socket set screws M2.6×0.45×2
4	Polyphenylene sulfide	(Black)	10	Brass	Nickel plating Slotted head screw M2×0.4×8
3	Polyphenylene sulfide	(Black)	9	Zinc alloy	Matte finish nickel plated
2	Brass	Silver plating 2μm min.	8	Zinc alloy	Matte finish nickel plated
1	Zinc alloy	Matte finish nickel plated	7	Brass	Nickel plating
NO.	MATERIAL	FINISH . REMARKS	NO.	MATERIAL	FINISH . REMARKS

UNITS mm	SCALE 2 : 1	COUNT	DESCRIPTION OF REVISIONS	DESIGNED	CHECKED	DATE
HRS HIROSE ELECTRIC CO., LTD.			APPROVED : TP. KOMATSU 20230613 CHECKED : HY. KOBAYASHI 20230613 DESIGNED : HT. ZENBA 20230613 DRAWN : KR. SUZUKI 20230613	DRAWING NO. EDC-112323-81-00 PART NO. RM12BPE-6PH(81) CODE NO. CL0109-0421-4-81	1/1	

X-ON Electronics

Largest Supplier of Electrical and Electronic Components

Click to view similar products for [Standard Circular Connector](#) category:

Click to view products by [Hirose](#) manufacturer:

Other Similar products are found below :

[600273N007](#) [6134-336-13149](#) [6134-337-11149](#) [6134-337-2390](#) [6134-341-17149](#) [67-02E12-60PX](#) [680-SMG](#) [CXS3102A181S](#) [75-190218-10P](#) [75-474014-05S](#) [75-474211-03P](#) [75-474618-04P](#) [75-474618-04S](#) [75-474620-07P](#) [799539-000](#) [805-005-07NF11-19PC](#) [805-005-07NF15-7PA](#) [836783-1](#) [866857-1](#) [867865-1](#) [121583-0217](#) [RD10A16-19-P6CS051/1](#) [RD16A14-12-S6CS051/2](#) [1301240268](#) [1301240275](#) [14482](#) [16283-18](#) [1877910-1](#) [206039-3](#) [206323-1](#) [207682-1](#) [CA01COM-E24-28P-B-03](#) [CA06COME14SA7P](#) [JL04-1012CK\(05\)-R](#) [JL04V-2A28-11PE-R](#) [JL04V-2E10SL-3PE-B-R](#) [JL04V-2E20-15PE-B-R](#) [JL04V-2E20-4PE-B-R](#) [JL04V-2E24-10PE\(G\)-B-R](#) [JL04V-6A24-11SE-EB-R](#) [JN1AS04MK1X](#) [JN1HS10PLKS2](#) [JN2AS04MK2X-R](#) [JN2DS10SL3-R](#) [JN2FW15SL1](#) [JR16PK-10S](#) [2-206934-7](#) [24282](#) [25.320.3853.1](#) [3011-05](#)