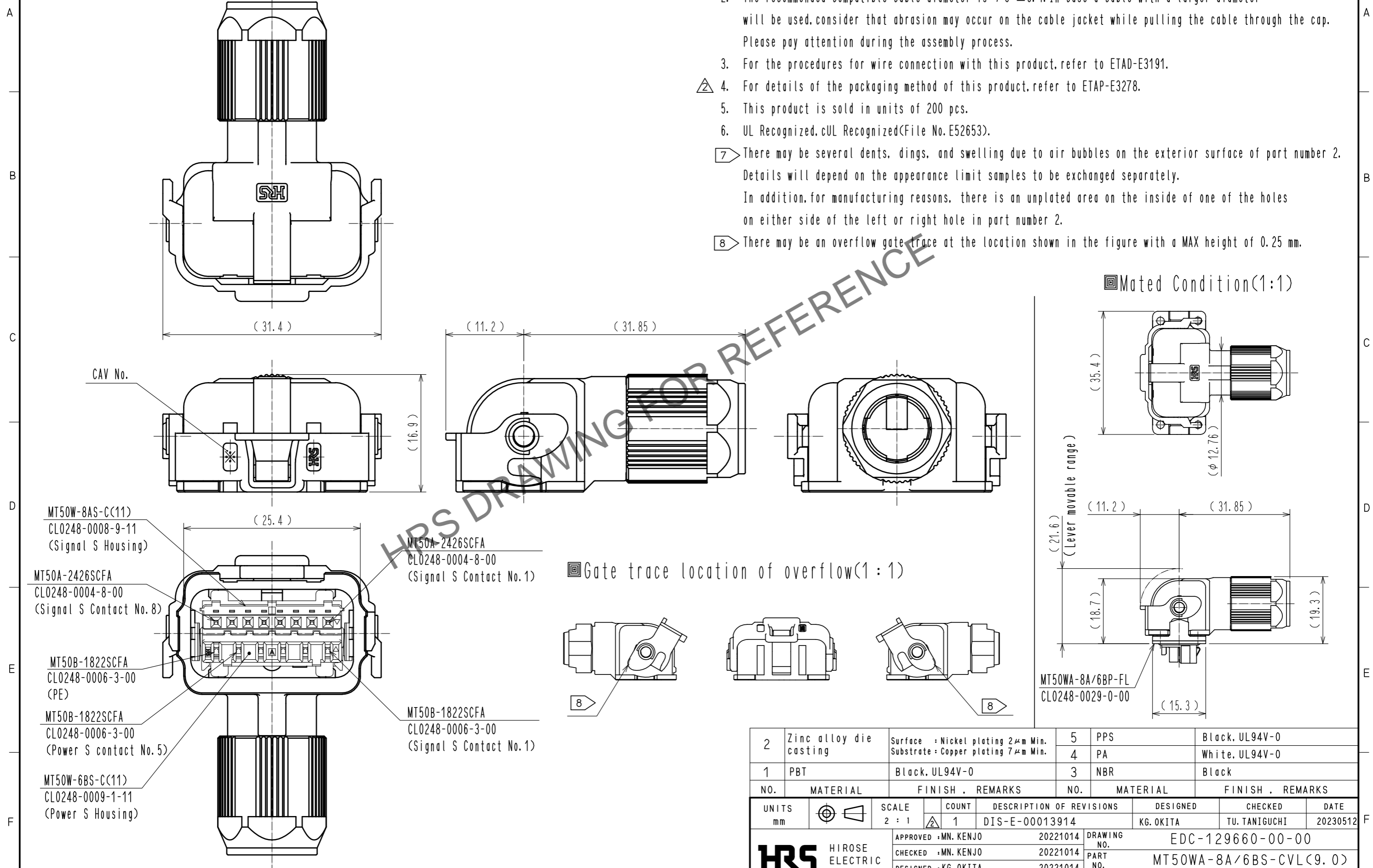


Jan.1.2025 Copyright 2025 HIROSE ELECTRIC CO., LTD. All Rights Reserved.  
In case of consideration for using Automotive equipment / device which demand high reliability, kindly contact our sales window correspondents.

1 Built-in Phase Diagram

- Note:
- 1 This product should be used in combination with a connector unit incorporating crimp terminals.
  - 2 The recommended compatible cable diameter is  $\phi 9 \pm 0.4$ . In case a cable with a larger diameter will be used, consider that abrasion may occur on the cable jacket while pulling the cable through the cap. Please pay attention during the assembly process.
  - 3 For the procedures for wire connection with this product, refer to ETAD-E3191.
  - 4 For details of the packaging method of this product, refer to ETAP-E3278.
  - 5 This product is sold in units of 200 pcs.
  - 6 UL Recognized, cUL Recognized (File No. E52653).
  - 7 There may be several dents, dings, and swelling due to air bubbles on the exterior surface of part number 2. Details will depend on the appearance limit samples to be exchanged separately. In addition, for manufacturing reasons, there is an unplated area on the inside of one of the holes on either side of the left or right hole in part number 2.
  - 8 There may be an overflow gate trace at the location shown in the figure with a MAX height of 0.25 mm.



| NO. | MATERIAL               | FINISH   | REMARKS | NO. | MATERIAL | FINISH | REMARKS |
|-----|------------------------|--|---------|-----|----------|--------|---------|
| 2   | Zinc alloy die casting | Surface : Nickel plating 2 $\mu$ m Min.<br>Substrate : Copper plating 7 $\mu$ m Min. |         | 5   | PPS      | Black  | UL94V-0 |
| 1   | PBT                    | Black  | UL94V-0 | 4   | PA       | White  | UL94V-0 |
|     |                        |  |         | 3   | NBR      | Black  |         |

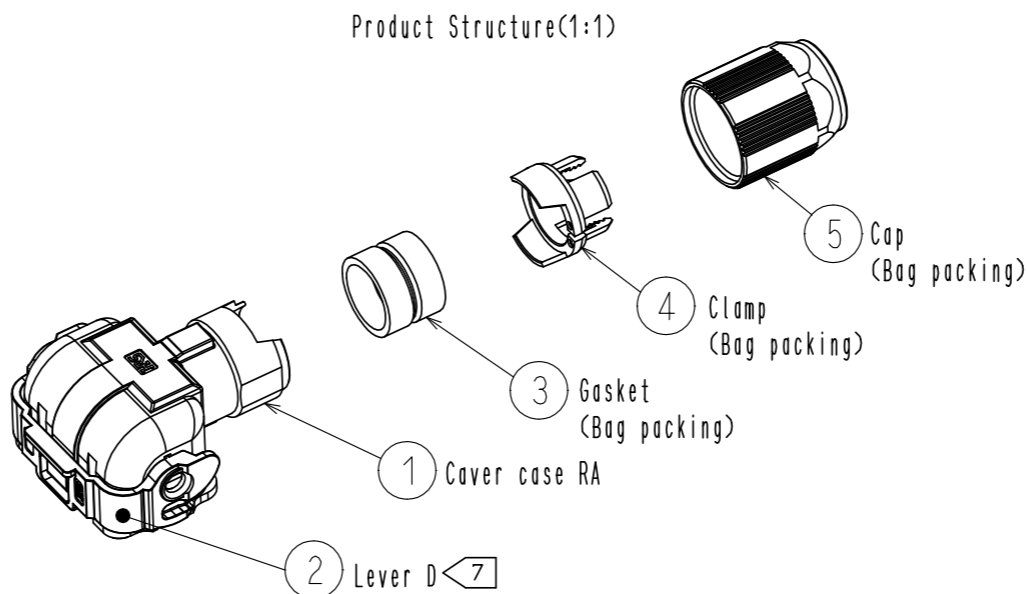
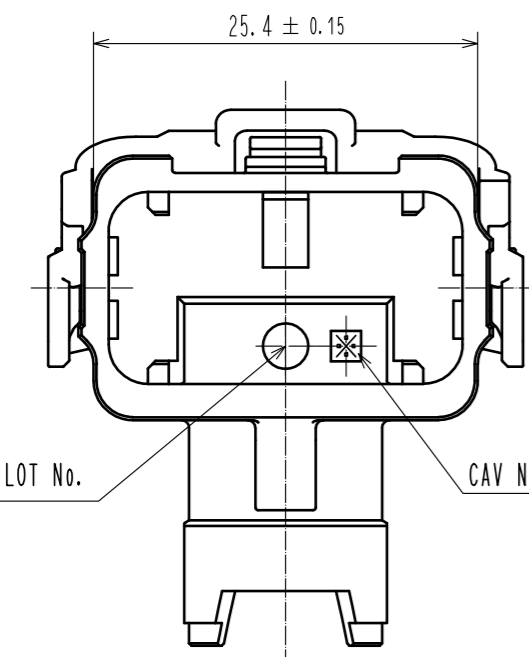
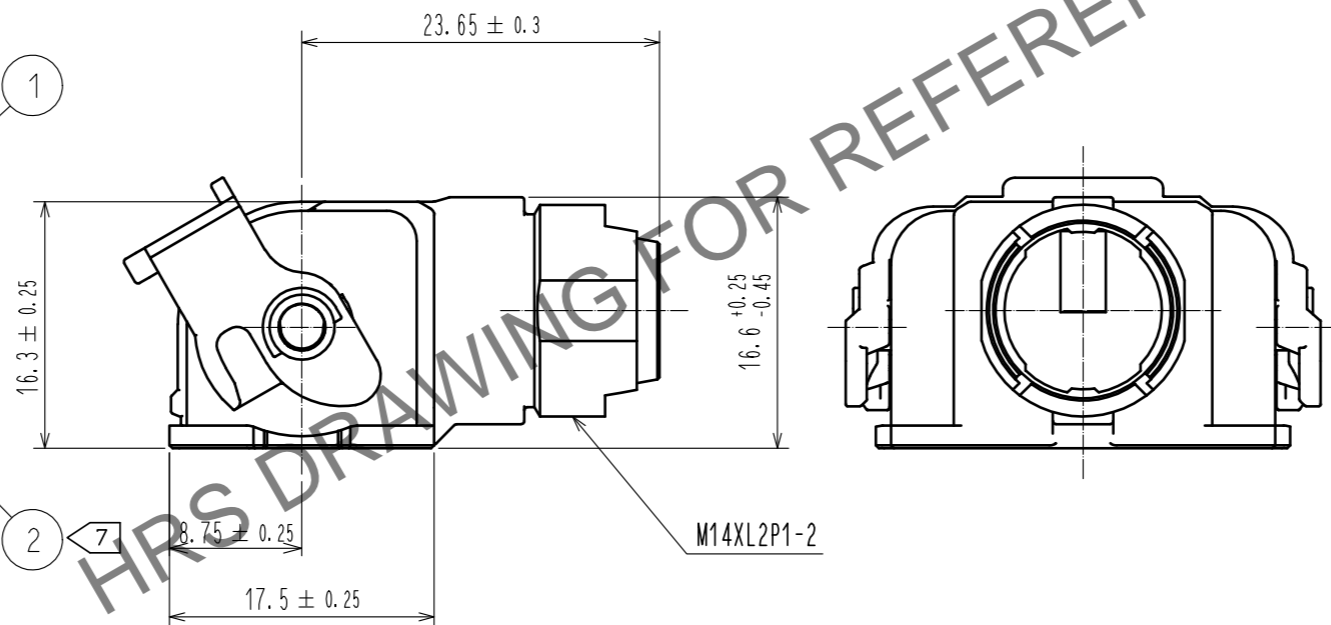
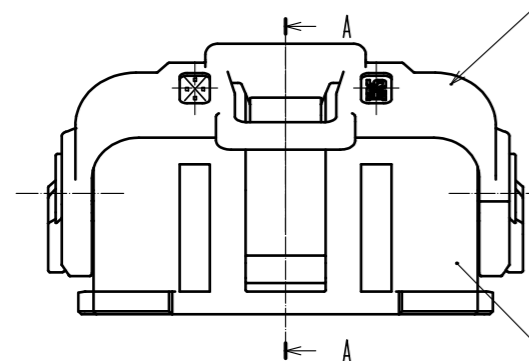
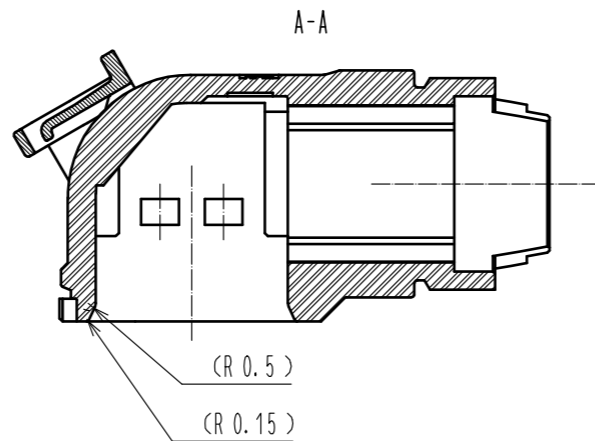
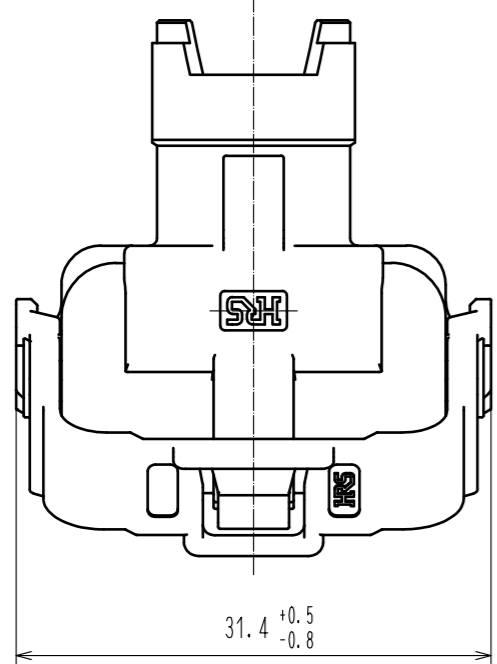
| UNITS | SCALE | COUNT | DESCRIPTION OF REVISIONS | DESIGNED  | CHECKED       | DATE     |
|-------|-------|-------|--------------------------|-----------|---------------|----------|
| mm    | 2 : 1 | 1     | DIS-E-00013914           | KG. OKITA | TU. TANIGUCHI | 20230512 |

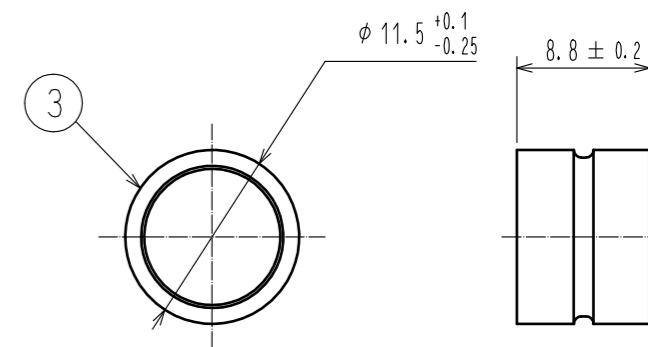
| APPROVED  | CHECKED   | DESIGNED  | DRAWN     | DRAWING NO.      | PART NO.               | CODE NO.         |
|-----------|-----------|-----------|-----------|------------------|------------------------|------------------|
| MN. KENJO | MN. KENJO | KG. OKITA | HK. SAITO | EDC-129660-00-00 | MT50WA-8A/6BS-CVL(9.0) | CL0248-0027-0-00 |

Jan.1.2025 Copyright 2025 HIROSE ELECTRIC CO., LTD. All Rights Reserved.  
In case of consideration for using Automotive equipment / device which demand high reliability, kindly contact our sales window correspondents.

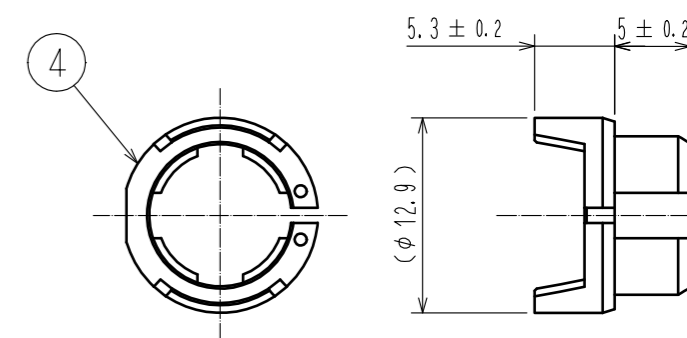
Delivery Form



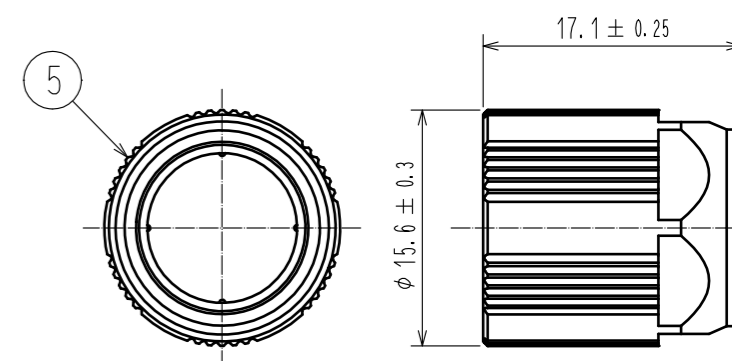
Gasket (Appended item)



Clamp (Appended item)



Cap (Appended item)



**HRS**

|             |                        |
|-------------|------------------------|
| DRAWING NO. | EDC-129660-00-00       |
| PART NO.    | MT50WA-8A/6BS-CVL(9.0) |
| CODE NO.    | CL0248-0027-0-00       |

2/2

## X-ON Electronics

Largest Supplier of Electrical and Electronic Components

*Click to view similar products for [Heavy Duty Power Connectors](#) category:*

*Click to view products by [Hirose](#) manufacturer:*

Other Similar products are found below :

[6646137-1](#) [6646138-1](#) [6646940-1](#) [6651091-1](#) [6651525-1](#) [6651529-1](#) [73080255059](#) [73080965046](#) [7310205040001](#) [PS00/A0620/6300](#)  
[PS25/A0420/63](#) [AN0024023](#) [157-43GW8](#) [1643543-1](#) [1791340000](#) [NLDFT-3-BL-L-S120-M40A](#) [NLDFT-N-W-L-C240-M40B](#) [NLS-2-R-](#)  
[C240-M40B](#) [NLS-3-BL-C240-M40B](#) [NLS-N-W-C240-M40B](#) [NPS-3-BL-T6](#) [C148 10A005 000 9](#) [2-1589900-8](#) [KA8102](#) [9300480317](#) [296-](#)  
[0040-01100](#) [1-6609148-0](#) [19000005132](#) [1-966831-8](#) [AN0024202](#) [AN0264023](#) [279-0841-10100A](#) [281-0334-00100A](#) [419-2083-301](#) [078238-](#)  
[1613](#) [078238-2910](#) [078239-2912](#) [07.470.3256.0](#) [078239-2910](#) [078239-2911](#) [078239-2913](#) [09300240303](#) [09370009946](#) [09-30-506-1291](#) [1-](#)  
[1104457-5](#) [73000005327](#) [73000005329](#) [73080956756](#) [73080965056](#) [1926075-1](#)