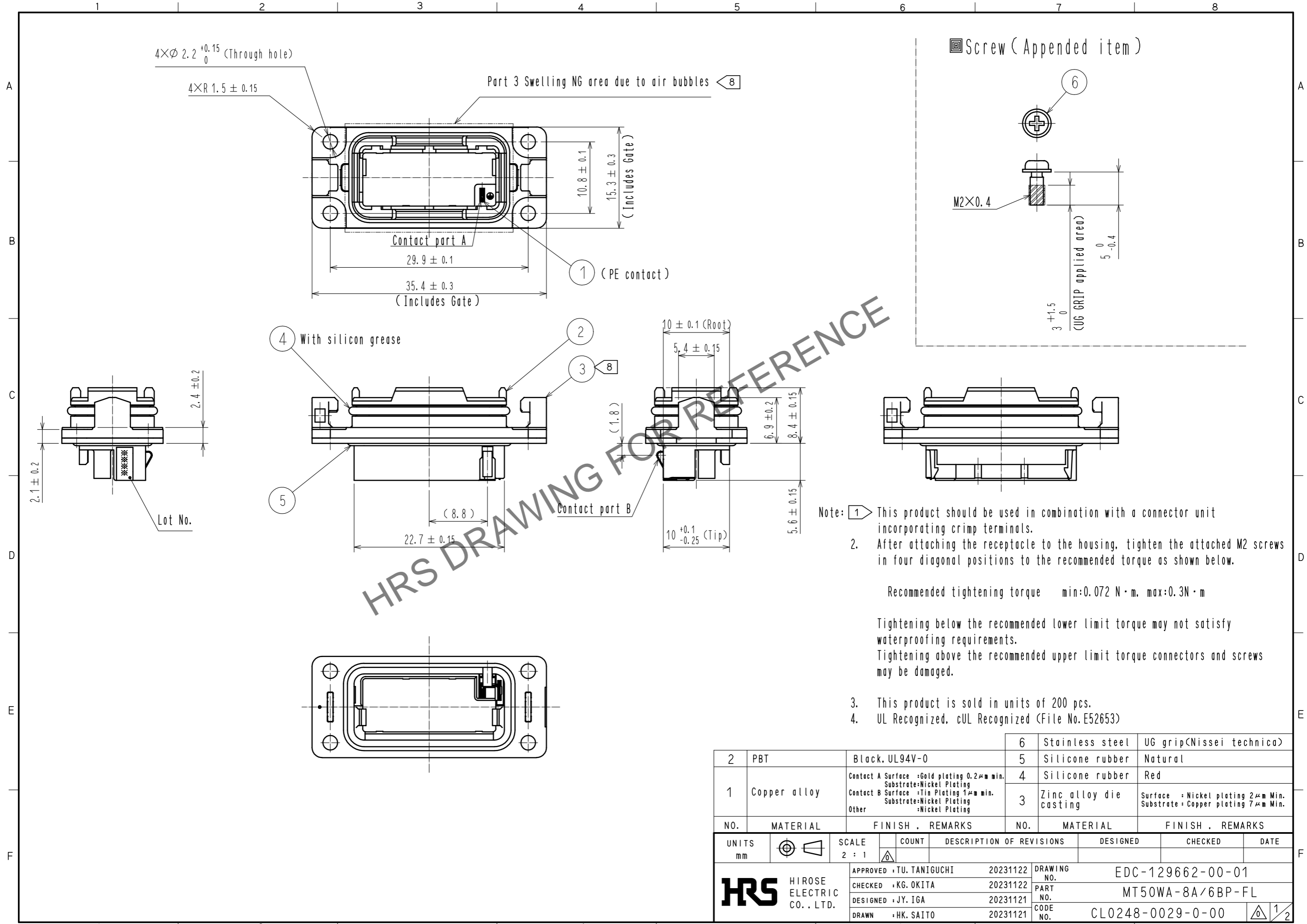


Jan.1.2025 Copyright 2025 HIROSE ELECTRIC CO., LTD. All Rights Reserved.
In case of consideration for using Automotive equipment / device which demand high reliability, kindly contact our sales window correspondents.

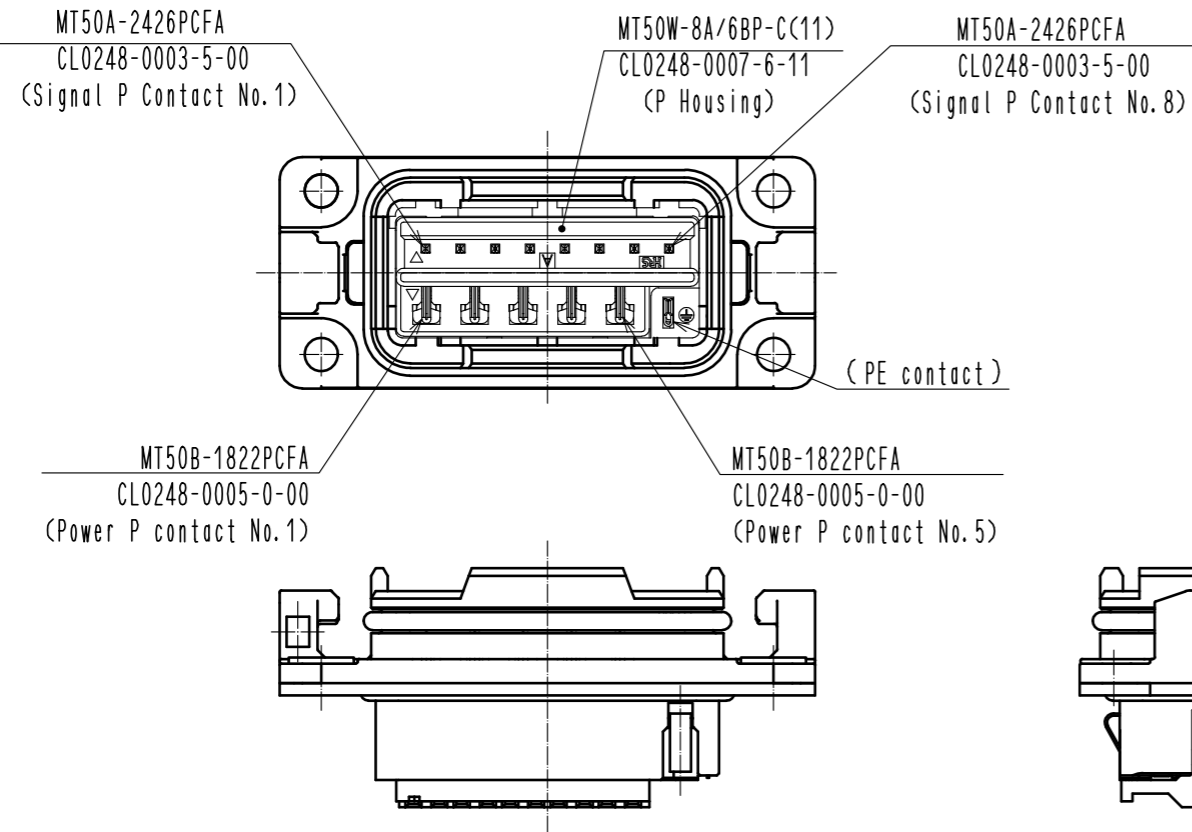


Note: 1 This product should be used in combination with a connector unit incorporating crimp terminals.
2 After attaching the receptacle to the housing, tighten the attached M2 screws in four diagonal positions to the recommended torque as shown below.
Recommended tightening torque min:0.072 N·m, max:0.3N·m
Tightening below the recommended lower limit torque may not satisfy waterproofing requirements.
Tightening above the recommended upper limit torque connectors and screws may be damaged.
3 This product is sold in units of 200 pcs.
4 UL Recognized, cUL Recognized (File No. E52653)

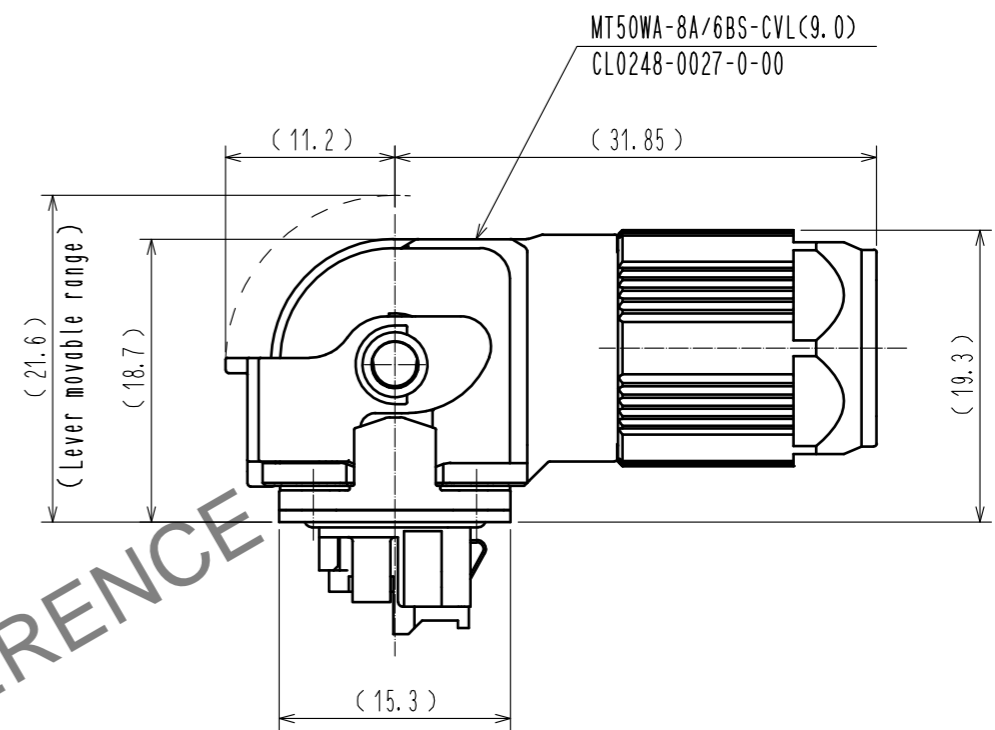
2	PBT	Black, UL94V-0	6	Stainless steel	UG grip(Nissei technica)		
1	Copper alloy	Contact A Surface :Gold plating 0.2µm min. Substrate:Nickel Plating Contact B Surface :Tin Plating 1µm min. Substrate:Nickel Plating Other :Nickel Plating	5	Silicone rubber	Natural		
			4	Silicone rubber	Red		
			3	Zinc alloy die casting	Surface : Nickel plating 2µm Min. Substrate : Copper plating 7µm Min.		
NO.	MATERIAL	FINISH . REMARKS	NO.	MATERIAL	FINISH . REMARKS		
UNITS mm		SCALE 2 : 1	COUNT	DESCRIPTION OF REVISIONS	DESIGNED	CHECKED	DATE
HRS HIROSE ELECTRIC CO., LTD.		APPROVED : TU. TANIGUCHI	20231122	DRAWING NO.	EDC-129662-00-01		
		CHECKED : KG. OKITA	20231122	PART NO.	MT50WA-8A/6BP-FL		
		DESIGNED : JY. IGA	20231121	CODE NO.	CL0248-0029-0-00		
		DRAWN : HK. SAITO	20231121				

Jan.1.2025 Copyright 2025 HIROSE ELECTRIC CO., LTD. All Rights Reserved.
In case of consideration for using Automotive equipment / device which demand high reliability, kindly contact our sales window correspondents.

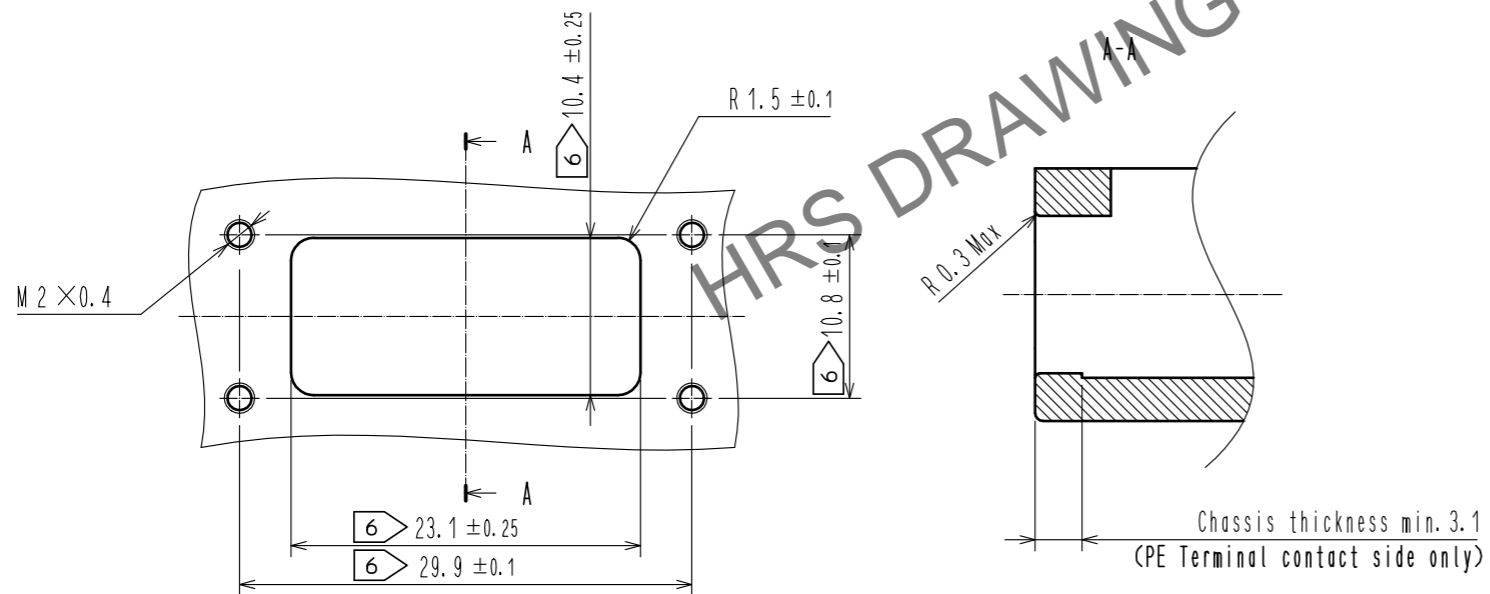
1 Built-in Phase Diagram



Mating state drawing



5 Mounting panel reference diagram



- Note: 5 Please consider the mating direction of the connector, as the receptacle can be inserted into the chassis in either direction.
- 6 Keep also in mind that the receptacle hole center line and the center line between the screw holes deviation shall not exceed 0.05mm.
7. Please refer to ETAD-E3191 for the cable assembly.
- 8 On the exterior surface of Part number 3, several swelling due to air bubbles may be on the surface excluding the swelling NG area due to air bubbles.
In addition, there may be several dents and dings on the exterior surface of part number 3.
Details will depend on the appearance limit samples to be exchanged separately.
For manufacturing reasons, two of the four holes in part number 3 have unplated spots on the inside of the holes.
9. For details of the packaging method of this product, refer to ETAP-E3278-01.

HRS	DRAWING NO.	EDC-129662-00-01
	PART NO.	MT50WA-8A/6BP-FL
	CODE NO.	CLO248-0029-0-00

2/2

X-ON Electronics

Largest Supplier of Electrical and Electronic Components

Click to view similar products for [Heavy Duty Power Connectors](#) category:

Click to view products by [Hirose](#) manufacturer:

Other Similar products are found below :

[6646137-1](#) [6646138-1](#) [6646940-1](#) [6651091-1](#) [6651525-1](#) [6651529-1](#) [73080255059](#) [73080965046](#) [7310205040001](#) [PS00/A0620/6300](#)
[PS25/A0420/63](#) [AN0024023](#) [157-43GW8](#) [1643543-1](#) [1791340000](#) [NLDFT-3-BL-L-S120-M40A](#) [NLDFT-N-W-L-C240-M40B](#) [NLS-2-R-](#)
[C240-M40B](#) [NLS-3-BL-C240-M40B](#) [NLS-N-W-C240-M40B](#) [NPS-3-BL-T6](#) [C148 10A005 000 9](#) [2-1589900-8](#) [KA8102](#) [9300480317](#) [296-](#)
[0040-01100](#) [1-6609148-0](#) [19000005132](#) [1-966831-8](#) [AN0024202](#) [AN0264023](#) [279-0841-10100A](#) [281-0334-00100A](#) [419-2083-301](#) [078238-](#)
[1613](#) [078238-2910](#) [078239-2912](#) [07.470.3256.0](#) [078239-2910](#) [078239-2911](#) [078239-2913](#) [09300240303](#) [09370009946](#) [09-30-506-1291](#) [1-](#)
[1104457-5](#) [73000005327](#) [73000005329](#) [73080956756](#) [73080965056](#) [1926075-1](#)