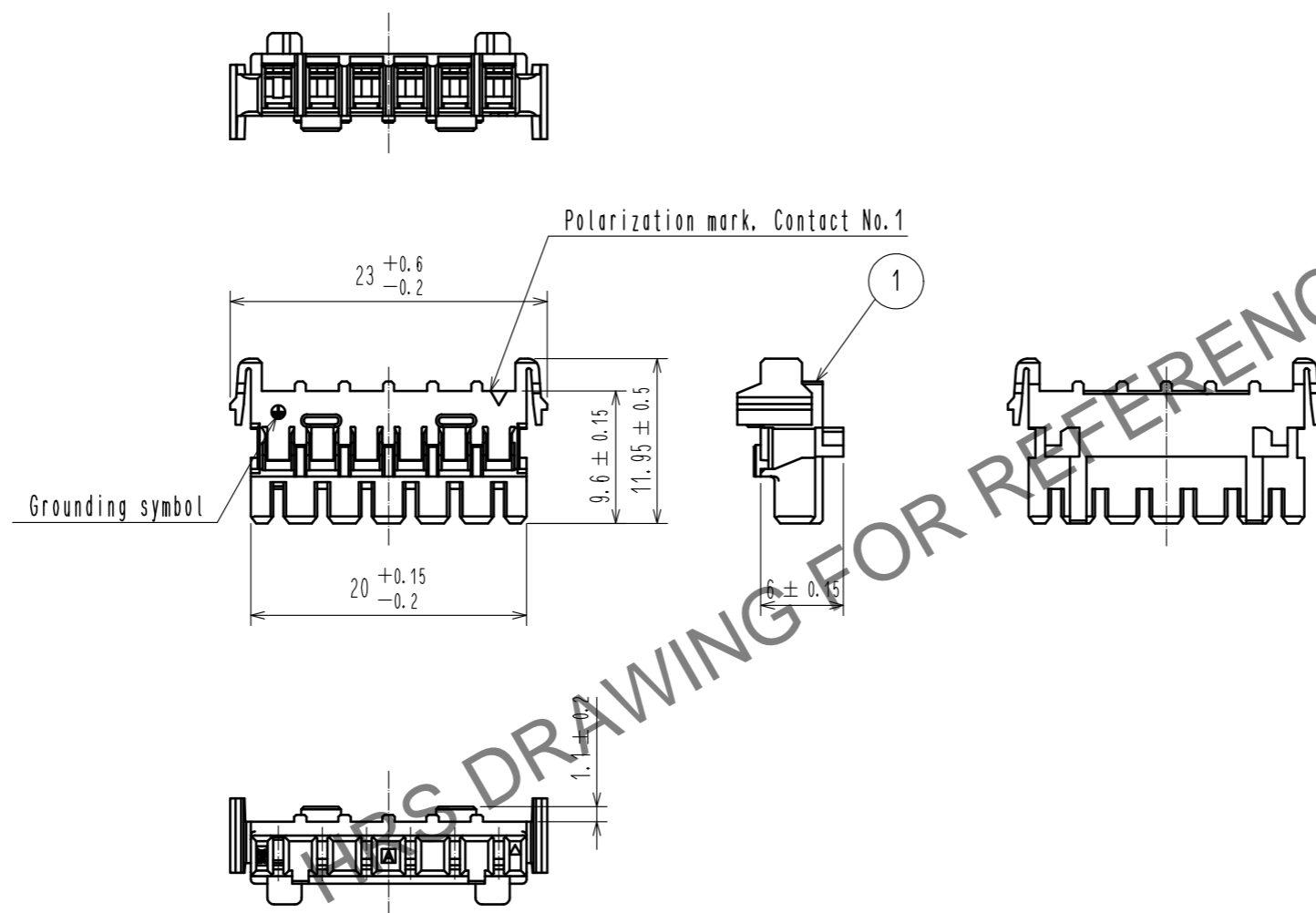


Jan.1.2025 Copyright 2025 HIROSE ELECTRIC CO., LTD. All Rights Reserved.
 In case of consideration for using Automotive equipment / device which demand high reliability, kindly contact our sales window correspondents.



- Note:
1. One package consists of 200 pcs.
 2. UL Recognized, cUL Recognized (File No. E52653)
 3. For details of the packaging method of this product, refer to ETAP-E3277.

1	PBT Resin	White, UL94V-0, PLC2
NO.	MATERIAL	FINISH . REMARKS

UNITS mm		SCALE 2 : 1	COUNT 1	DESCRIPTION OF REVISIONS DIS-E-00013914	DESIGNED KG. OKITA	CHECKED TU. TANIGUCHI	DATE 20230512
HIROSE ELECTRIC CO., LTD.				APPROVED : AH. KODAMA 20150721	DRAWING NO. EDC-128733-11-00		
				CHECKED : AH. KODAMA 20150721	PART NO. MT50W-6BS-C(11)		
				DESIGNED : KI. KAGOTANI 20150721	CODE NO. CLO248-0009-1-11		
				DRAWN : KI. KAGOTANI 20150721	1/1		

X-ON Electronics

Largest Supplier of Electrical and Electronic Components

Click to view similar products for [Heavy Duty Power Connectors](#) category:

Click to view products by [Hirose](#) manufacturer:

Other Similar products are found below :

[6646137-1](#) [6646138-1](#) [6646940-1](#) [6651091-1](#) [6651525-1](#) [6651529-1](#) [73080255059](#) [73080965046](#) [7310205040001](#) [PS00/A0620/6300](#)
[PS25/A0420/63](#) [AN0024023](#) [157-43GW8](#) [1643543-1](#) [1791340000](#) [NLDFT-3-BL-L-S120-M40A](#) [NLDFT-N-W-L-C240-M40B](#) [NLS-2-R-](#)
[C240-M40B](#) [NLS-3-BL-C240-M40B](#) [NLS-N-W-C240-M40B](#) [NPS-3-BL-T6](#) [C148 10A005 000 9](#) [2-1589900-8](#) [KA8102](#) [9300480317](#) [296-](#)
[0040-01100](#) [1-6609148-0](#) [19000005132](#) [1-966831-8](#) [AN0024202](#) [AN0264023](#) [279-0841-10100A](#) [281-0334-00100A](#) [419-2083-301](#) [078238-](#)
[1613](#) [078238-2910](#) [078239-2912](#) [07.470.3256.0](#) [078239-2910](#) [078239-2911](#) [078239-2913](#) [09300240303](#) [09370009946](#) [09-30-506-1291](#) [1-](#)
[1104457-5](#) [73000005327](#) [73000005329](#) [73080956756](#) [73080965056](#) [1926075-1](#)