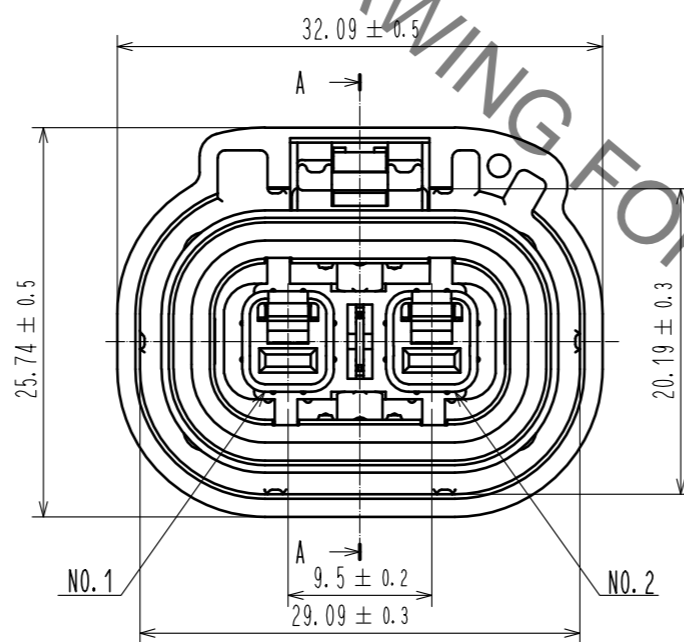
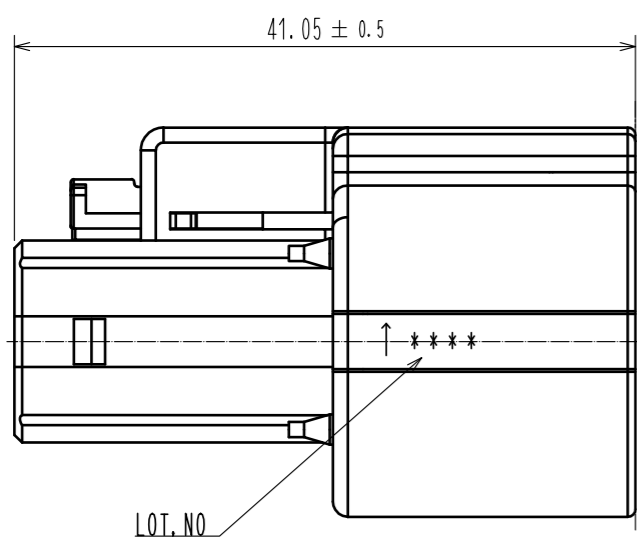
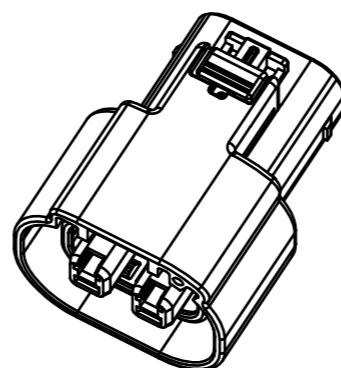
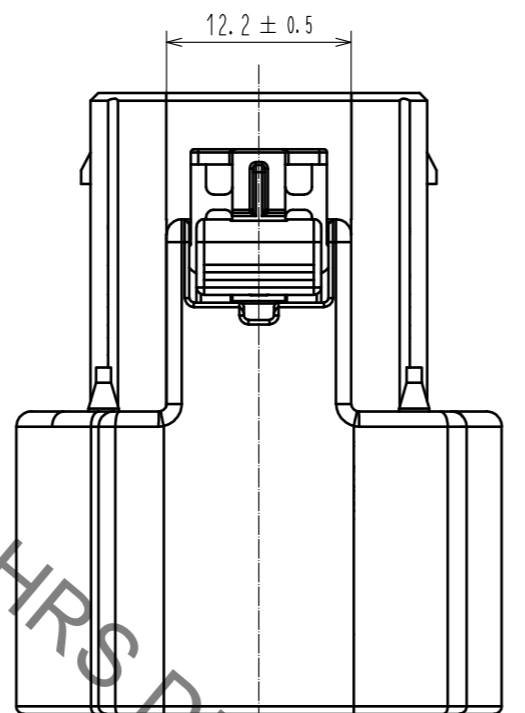
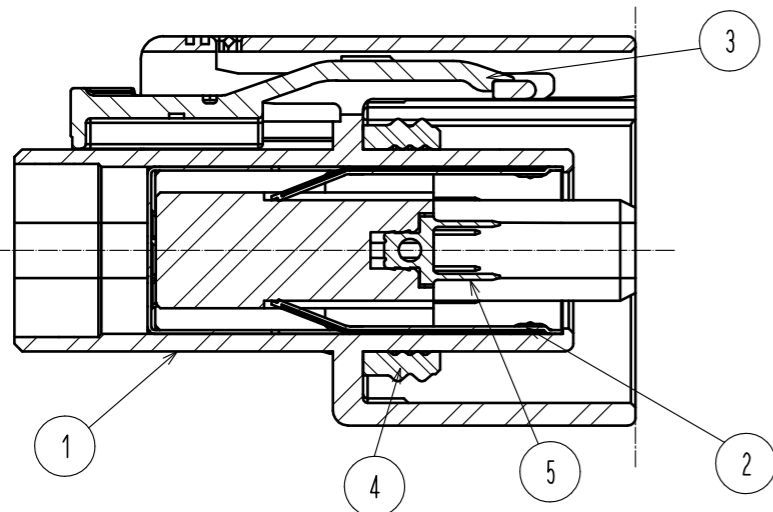


Nov.1.2021 Copyright 2021 HIROSE ELECTRIC CO., LTD. All Rights Reserved.
In case of consideration for using Automotive equipment / device which demand high reliability, kindly contact our sales window correspondents.

ELV. RoHS COMPLIANT

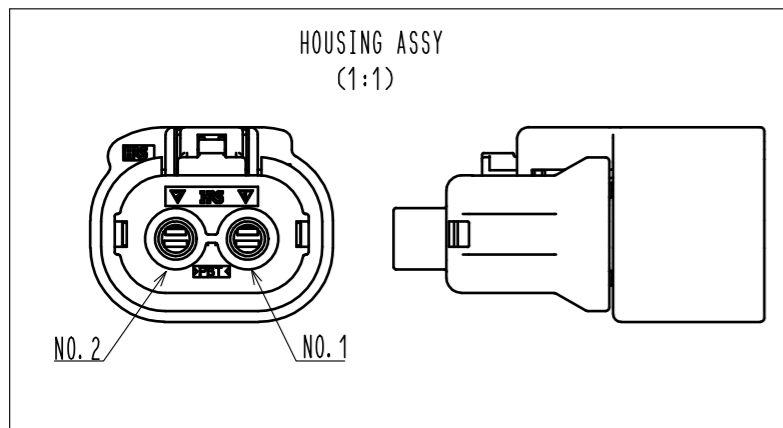
A-A



Packing specification

- After placing parts in trays, stack in five layers.
(Top layer will be empty.)
- Place bound trays in box, then place cardboard sheet on top.
- Using packing tape, affix sheet of cardboard to box in four places.
- Place lid on box and seal with packing tape.

W=(368)mm
D=(278)mm
H=(261)mm



Note 1. Counter part is HVH-280-2/2P-HU(A)(CL778-0510-0-00)
2. Following parts are available.
HOLDER : HVH-280-2/2S-HO(CL778-0507-0-00)
WIRE SEAL : HVH-280-2/2S-WS(CL778-0505-0-00)
POWER CRIMP CONTACT : HVH-280-1214SCF(CL778-0502-0-00)
SHIELD CONTACT : HVH-280-4.2CF(CL778-0503-0-00)
3. Assembly procedure refer to ETAD-T0574-00

3	PBT	RED, UL94 V-0			
2	SUS	SURFACE:TIN PLATING 1μm MIN UNDER PLATING:NICKEL PLATING 0.5μm MIN	5	COPPER ALLOY	SURFACE:TIN PLATING 1μm MIN UNDER PLATING:NICKEL PLATING 0.5μm MIN
1	PBT	ORANGE, UL94 V-0	4	SILICONE	BLUE
NO.	MATERIAL	FINISH . REMARKS	NO.	MATERIAL	FINISH . REMARKS
UNITS mm		SCALE 2 : 1	COUNT	DESCRIPTION OF REVISIONS	
				DESIGNED	CHECKED
					DATE
HRS HIROSE ELECTRIC CO., LTD.		APPROVED : HK. UMEHARA	20181003	DRAWING NO. EDC-377220-00-00	
		CHECKED : AH. EDASHIGE	20181003	PART NO. HVH-280-2/2S-HU(A)	
		DESIGNED : TS. SHIMIZU	20181003	CODE NO. CL778-0508-0-00	
		DRAWN : GYEONGMIN LEE	20181003		

X-ON Electronics

Largest Supplier of Electrical and Electronic Components

Click to view similar products for [Automotive Connectors](#) category:

Click to view products by [Hirose](#) manufacturer:

Other Similar products are found below :

[003-018-000](#) [60993906-B](#) [M902-2131](#) [M902-2161](#) [M902-2344](#) [72.330.1035.1](#) [73.353.4028.0](#) [F166900](#) [F358300-B](#) [F407400](#) [776880-1](#)
[827153-1](#) [8N1515-32-24P](#) [9-1326729-8](#) [925474-1](#) [928905-1](#) [964562-4](#) [968782-1](#) [98891-1012](#) [12004475-L](#) [12020308](#) [12041318-B](#)
[12052466](#) [12064869](#) [12015909](#) [1-21030-1](#) [12041254](#) [12041318](#) [12047946-B](#) [12110546-B](#) [12131792](#) [12084688](#) [12092346](#) [HD34-18-14PT](#)
[HD46-24-23SN-059](#) [HDB36-24-16PN-059](#) [HDP26-24-9SE-L015](#) [12185280](#) [12185550](#) [12336-12](#) [12191172-B](#) [12S](#) [13545280](#) [13577943](#)
[13681974](#) [13737722-B](#) [13830674](#) [13832576](#) [13849772](#) [13542772](#)