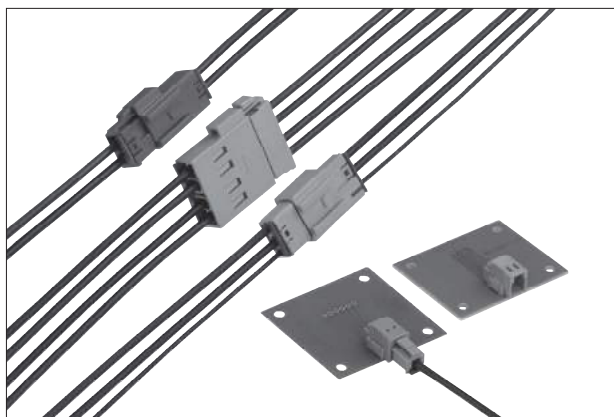


# GT21 Series

— Compact Coaxial Cable Connector —

〈In-line type and Board type〉



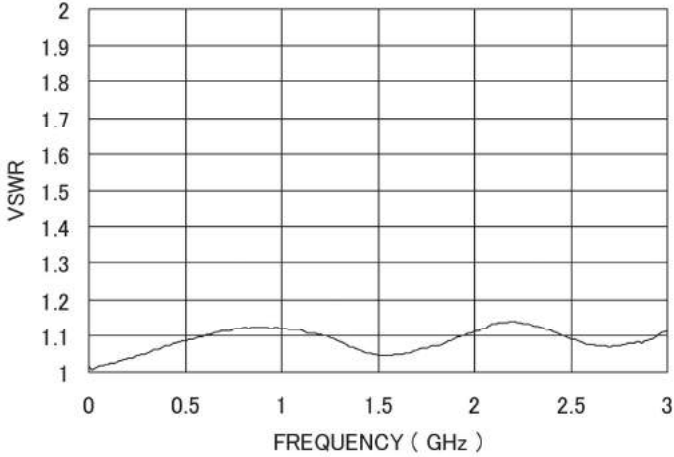
## ■ Features

- Consistent harness quality: “One-step” crimping design for center and outer conductors. Operators can complete harnessing without touching the center conductor. Therefore, the positional precision of the center conductor can be maintained regardless of the operators’ skill levels.
- Reduced harnessing man-hours ... “One-step” crimping of the center and outer conductors helps reduce harnessing man-hours.
- Space-saving design ... Even smaller than our GT5 Series.
- Excellent high frequency characteristics ... V.S.W.R. is 1.5 or less from DC to 2.5 GHz.
- The GT21 Series supports coaxial wire diameters up to  $\phi 3.1\text{mm}$ .

## ■ Applications

Digital TV, radio, automobile sensors (temperature, pressure, etc.), VICS, GPS, Bluetooth, TEL, satellite radio, etc.

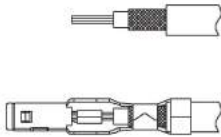
## ■ TEST DATA (using 1.5D-2V Type cable)



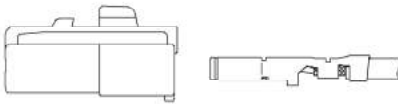
Note : The above measurement data is for GT21-1S-HU and GT21-1P-DS.

## ■ Cable Assembly Instructions

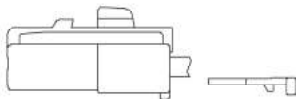
1. Strip the cable and crimp the entire terminal in one step.



2. Insert the terminal into the housing and check that the lance is locked.



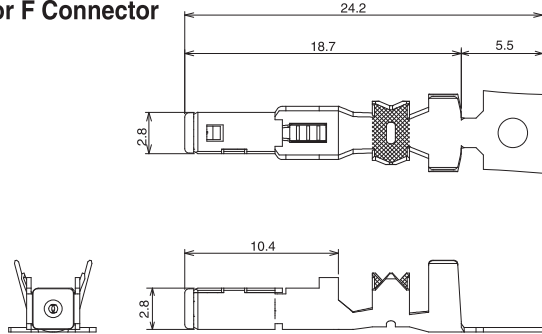
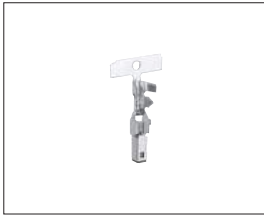
3. Insert the retainer into the housing. Check that the lock is secure and the retainer cannot be pulled out. Connection is now complete.



Jan. 1, 2022, Copyright 2022 HIROSE ELECTRIC CO., LTD. All Rights Reserved. GT21  
 GT5  
 GT13  
 GT16  
 GT19  
 GT21  
 FH65  
 FH66  
 FH67  
 FH40  
 FH35

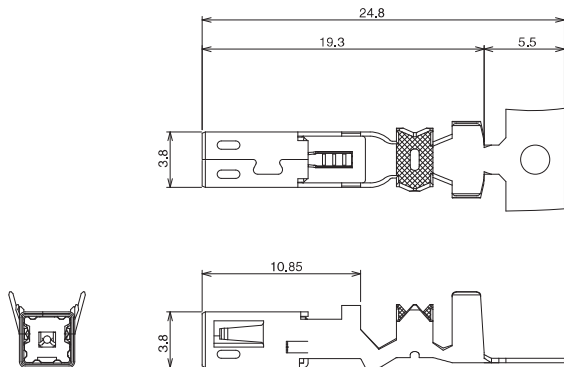
## GT21 Series

## Coaxial Cable Terminal for F Connector



Part No.	HRS No.	Material / Finish or color	Conductor size	Insulator outer diameter	Jacket outer diameter	Sales unit	RoHS
GT21-30/1.6-2.9SCF	771-0012-4	Insulator : PPS/Black Center terminal : Phosphor bronze/Tin plating Outer terminal : Brass/Tin plating	AWG#30 strand wire	$\phi 1.5 \sim 2.0$	$\phi 2.6 \sim 3.1$	5,500 pcs/reel	
GT21-30/1.6-2.9SCF(ID)	771-0057-2		AWG#30 single wire				
GT21-2428/1.6-2.9SCF	771-0004-6		AWG#24~28				
GT21-30/1.1-2.2SCF	771-0040-0		Single $\phi 0.32$ strand wire				
GT21B-2426/1.6-2.9SCF	771-0087-0	Center terminal : Phosphor bronze/Tin plating Insulator : PBT	AWG24~26	$\phi 1.5 \sim 2.0$	$\phi 2.6 \sim 3.1$	2,000 pcs/reel	
GT21D-1822/F4-5SCF	771-0111-0	Outer terminal : Brass/Tin plating	AWG18~22	$\phi 2.6 \sim 3.2$	$\phi 4.8 \sim 5.2$	1,200 pcs/reel	

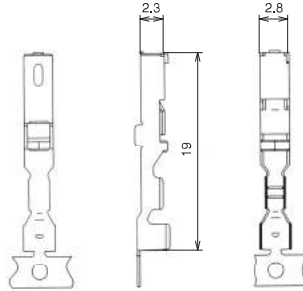
## Coaxial Cable Terminal for M Connector



Part No.	HRS No.	Material / Finish or color	Conductor size	Insulator outer diameter	Jacket outer diameter	Sales unit	RoHS
GT21-30/0.7-1.5PCF	771-0056-0	Insulator : PBT/Black Center terminal : Brass /Tin plating Outer terminal : Brass/Tin plating	AWG#30 strand wire	$\phi 0.6 \sim 0.9$	$\phi 1.4 \sim 1.8$	5,000 pcs/reel	
GT21-30/1.6-2.9PCF	771-0051-6		AWG#30 strand wire				
GT21-30/1.6-2.9PCF(ID)	771-0066-3		AWG#24~28				
GT21-2428/1.6-2.9PCF	771-0013-7	Center terminal : Brass /Tin plating Insulator : PBT	AWG24~26	$\phi 1.5 \sim 2.0$	$\phi 2.6 \sim 3.1$	2,000 pcs/reel	
GT21B-2426/1.6-2.9PCF	771-0088-0		AWG18~22				
GT21D-1822/F4-5PCF	771-0112-0	Outer terminal : Brass/Tin plating	AWG18~22	$\phi 2.6 \sim 3.2$	$\phi 4.8 \sim 5.2$	1,200 pcs/reel	

Jan. 1, 2022, Copyright 2022 HIROSE ELECTRIC CO., LTD., All Rights Reserved. GT21  
 GT5  
 GT13  
 GT16  
 GT19  
 FH65  
 FH40  
 FH35  
 FH67

## Power Terminal for F Connector

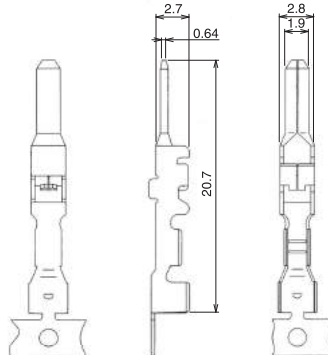


Part No.	HRS No.	Material	Finish	Conductor size	Jacket outer diameter	Sales unit	RoHS
GT7-2022SCF(70)	757-0001-1 70	Copper alloy	Tin plating	AWG#20~22	φ1.4~2.4	5,000 pcs/reel	○
GT7A-2022SCF(70)	757-0003-7 70				φ2.6~3.1	3,300 pcs/reel	

Note 1 : This product is sold in units of reels. (See the table above for number of pcs per reel.)

Note 2 : This product cannot be used with housings from other manufacturers.

## Power Terminal for M Connector



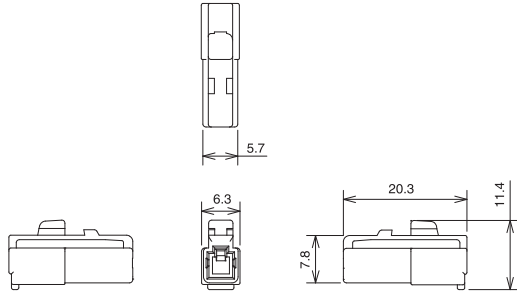
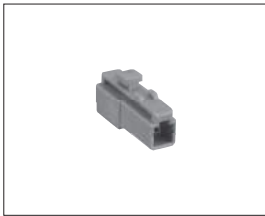
Part No.	HRS No.	Material	Finish	Conductor size	Jacket outer diameter	Sales unit	RoHS
GT7-2022PCF(70)	757-0002-4 70	Brass	Tin plating	AWG#20~22	φ1.4~2.4	5,000 pcs/reel	○
GT7A-2022PCF(70)	757-0004-0 70				φ2.6~3.1	3,300 pcs/reel	

Note 1 : This product is sold in units of reels. (See the table above for number of pcs per reel.)

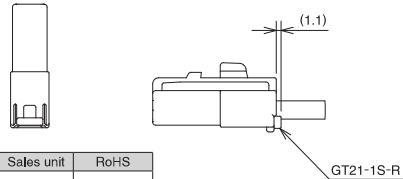
Note 2 : This product cannot be used with housings from other manufacturers.

GT5  
GT13  
GT16  
GT19  
GT21  
GT36  
GT43  
GT17  
GT32  
GT25  
KM37  
ZE05  
ZG05J2  
HM-H-200  
ZE64W  
H307L  
FX26  
D-40  
D-100L  
FH28K  
FH2K  
FH65  
FH40  
FH63  
FH67

## ■ Housing for F Connector (1 Coaxial)



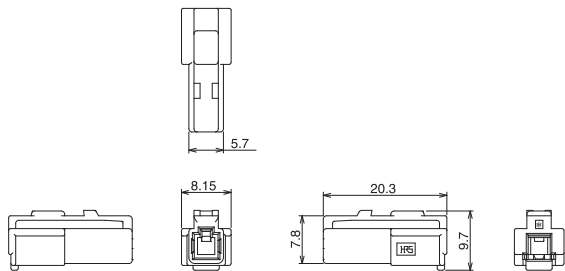
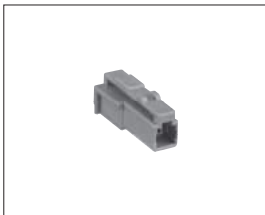
◆ Retainer installed



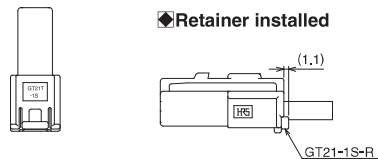
Part No.	HRS No.	Material	Color	Key position	Sales unit	RoHS
GT21-1S-HU	771-0005-9	PBT	Light gray	Standard	1	○
GT21-1S-HU(A)	771-0031-9		Brown	(A)		
GT21-1S-HU(B)	771-0032-1		Green	(B)		
GT21-1S-HU(C)	771-0033-4		Blue	(C)		

\*Applicable terminal : Coaxial terminal for GT21 Series F connector  
 \*Use together with retainer (GT21-1S-R) sold separately.

## ■ Housing for F Connector (1 Coaxial)



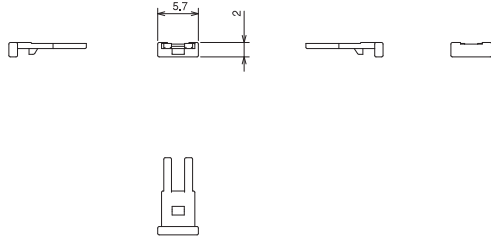
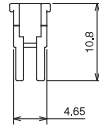
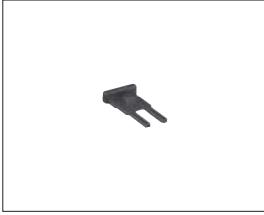
◆ Retainer installed



Part No.	HRS No.	Material	Color	Sales unit	RoHS
GT21-1S-HU	771-0018-0	PBT	Light gray	1	○

\*Applicable terminal : Coaxial terminal for GT21 Series F connector  
 \*Use together with retainer (GT21-1S-R) sold separately.

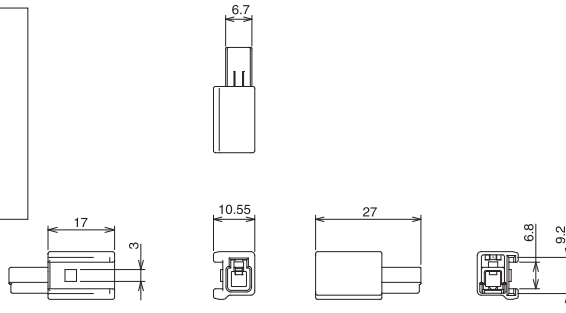
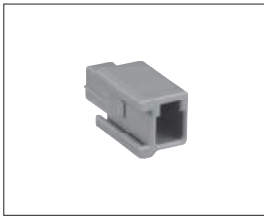
## ■ Retainer for F Connector (1 Coaxial)



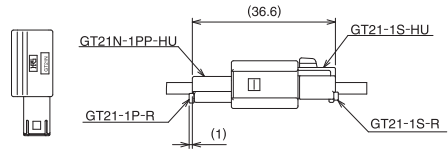
Part No.	HRS No.	Material	Color	Sales unit	RoHS
GT21-1S-R	771-0006-1	PBT	Dark gray	1	○

Jan. 1, 2022, Copyright 2022 HIROSE ELECTRIC CO., LTD., All Rights Reserved. GT21

## ■ Housing for M Connector (1 Pole Coaxial, Bracket N type)



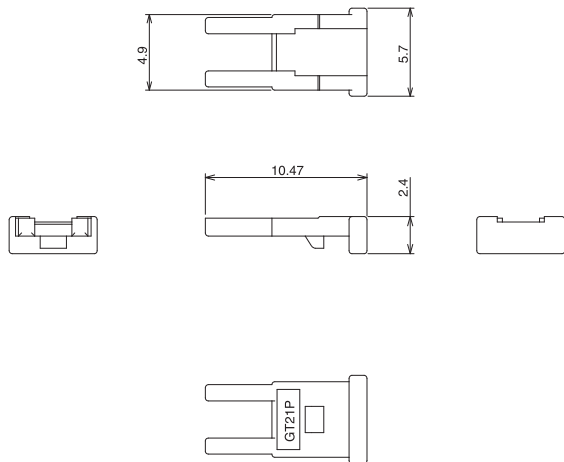
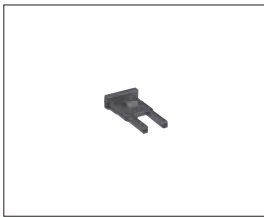
### ◆ Mated connector



Part No.	HRS No.	Material	Color	Sales unit	RoHS
GT21N-1PP-HU	771-0015-2	PBT	Light gray	1	○

\*Applicable terminal : Coaxial terminal for GT21 Series M connector  
 \*Use together with retainer (GT21-1P-R) sold separately.

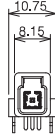
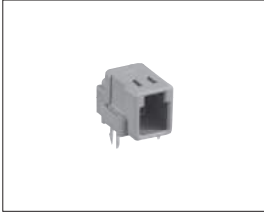
## ■ Retainer for M Connector (1 Coaxial)



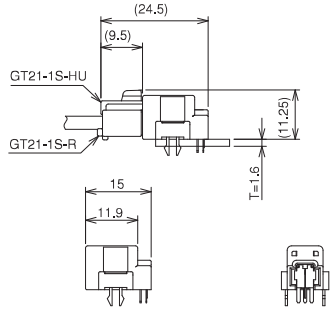
Part No.	HRS No.	Material	Color	Sales unit	RoHS
GT21-1P-R	771-0016-5	PBT	Dark gray	1	○

Jan. 1, 2022, Copyright 2022 HIROSE ELECTRIC CO., LTD., All Rights Reserved. GT21  
 GT5  
 GT13  
 GT16  
 GT19  
 GT21  
 FH65  
 FH40  
 FH35  
 FH67

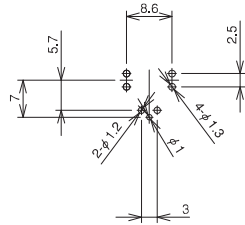
## Board Connector (1 Coaxial, DIP type)



### Mated connector

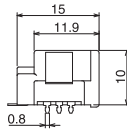


### Recommended Board Dimensions

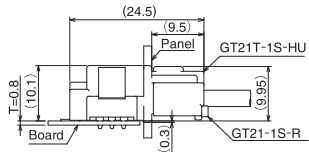


Part No.	HRS No.	Material / Finish or color	Sales unit	RoHS
GT21-1P-DS	771-0007-4	Housing : PPS/ Light gray Center terminal : Copper alloy /Tin plating Outer terminal : Copper alloy /Tin plating Metal reinforcement : Copper alloy /Tin plating	1	○

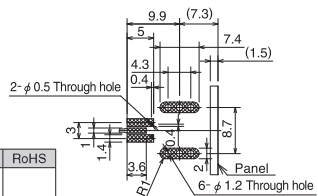
## Board Connector (1 Coaxial, SMT type)



### Mated connector

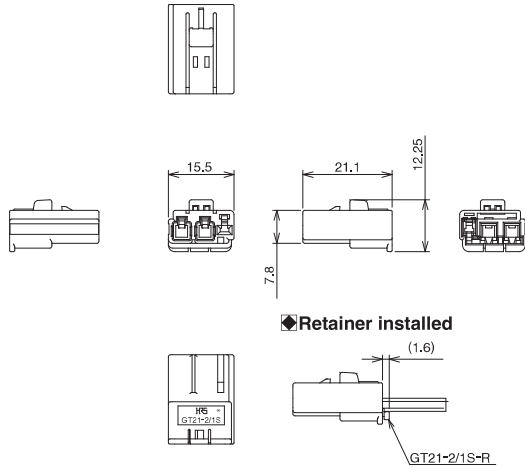
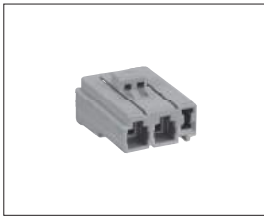


### Recommended Board Dimensions



Part No.	HRS No.	Material / Finish or color	Sales unit	RoHS
GT21T-1P-H(55)	771-0014-0 55	Housing : PA/ Light gray Center terminal : Copper alloy /Tin plating Outer terminal : Copper alloy /Tin plating Metal reinforcement : Copper alloy /Tin plating	400 pcs/reel	○

## ■ Housing for F Connector (2 Coaxial + 1 Power)

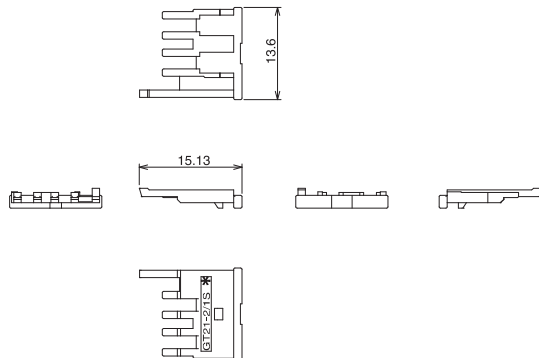


Part No.	HRS No.	Material	Color	Sales unit	RoHS
GT21-2/1S-HU	771-0058-5	PBT	Dark gray	1	○

\*Applicable terminal : Coaxial terminal for GT21 Series F connector  
Power terminal for GT21 Series F connector

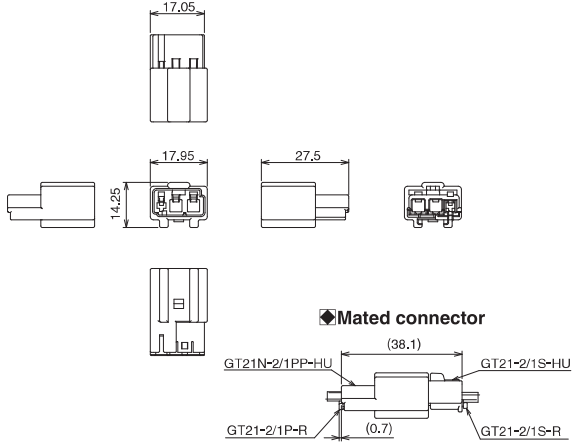
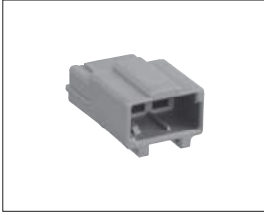
\*Use together with retainer (GT21-2/1S-R) sold separately.

## ■ Retainer for F Connector (2 Coaxial + 1 Power)



Part No.	HRS No.	Material	Color	Sales unit	RoHS
GT21-2/1S-R	771-0059-8	PBT	Dark gray	1	○

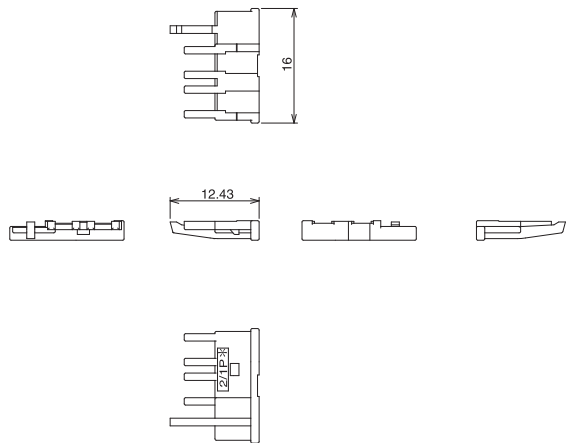
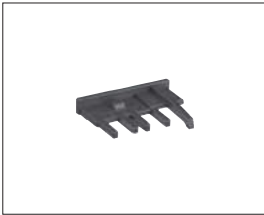
## ■ Housing for M Connector (2 Coaxial + 1 Power, Bracket N type)



Part No.	HRS No.	Material	Color	Sales unit	RoHS
GT21N-2/1PP-HU	771-0060-7	PBT	Light gray	1	○

\*Applicable terminal : Coaxial terminal for GT21 Series M connector  
 Power terminal for GT21 Series M connector  
 \*Use together with retainer (GT21-2/1P-R) sold separately.

## ■ Retainer for M Connector (2 Coaxial + 1 Power)

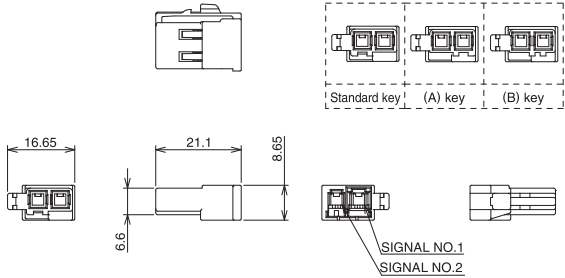
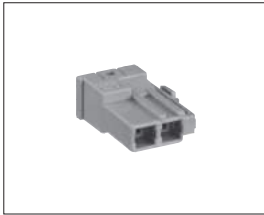


Part No.	HRS No.	Material	Color	Sales unit	RoHS
GT21-2/1P-R	771-0061-0	PBT	Dark gray	1	○

## GT21A Series

Both OD  $\phi$ 3.1 & 5.2mm coax cable applicable ver.

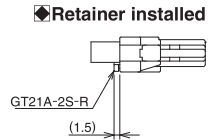
### ■ Housing for F Connector (2 Coaxial)



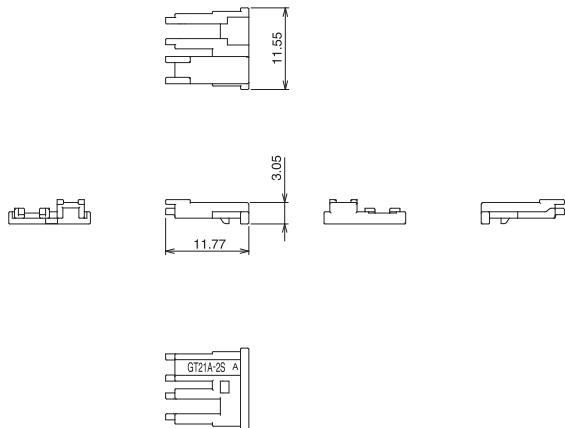
Signal No.	Max cable diameter
1	$\phi$ 5.2
2	$\phi$ 3.1

Part No.	HRS No.	Material	Color	Key position	Sales unit	RoHS
GT21A-2S+HU	771-0044-0	PBT	Light gray	Standard	1	○
GT21A-2S+HU(A)	771-0048-1		Brown	(A)		
GT21A-2S+HU(B)	771-0068-9		Green	(B)		

\*Applicable terminal : Coaxial terminal for GT21 Series F connector  
 \*Use together with retainer (GT21A-2S-R) sold separately.

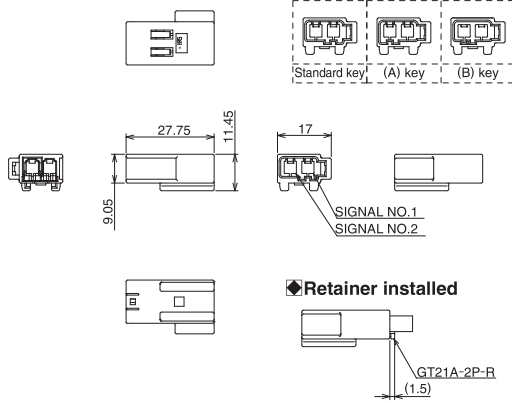
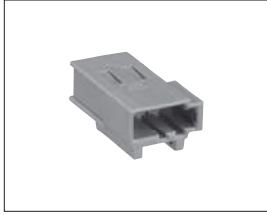


### ■ Retainer for M Connector (2 Coaxial)



Part No.	HRS No.	Material	Color	Sales unit	RoHS
GT21A-2S-R	771-0046-6	PBT	Dark gray	1	○

## ■ Housing for M Connector (2 Coaxial, Bracket N type)

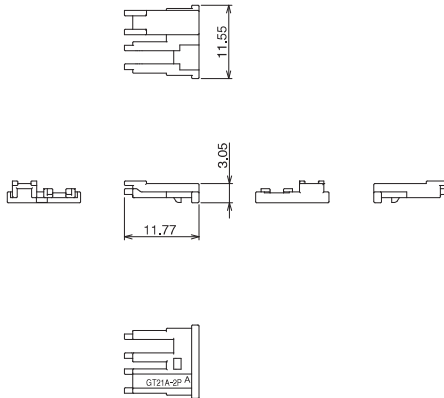


Signal No.	Max cable diameter
1	φ5.2
2	φ3.1

Part No.	HRS No.	Material	Color	Key position	Sales unit	RoHS
GT21AN-2PP-HU	771-0045-3	PBT	Light gray	Standard	1	○
GT21AN-2PP-HU(A)	771-0049-4		Brown	(A)		
GT21AN-2PP-HU(B)	771-0069-1		Green	(B)		

\*Applicable terminal : Coaxial terminal for GT21 Series M connector  
 \*Use together with retainer (GT21A-2P-R) sold separately.

## ■ Retainer for M Connector (2 Coaxial)

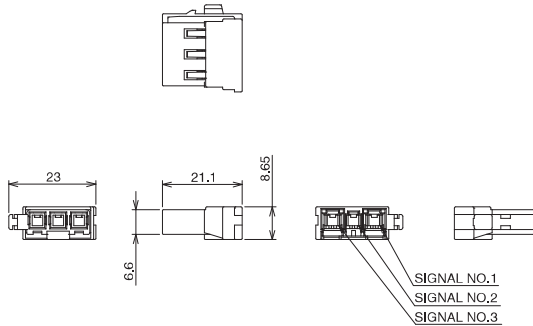
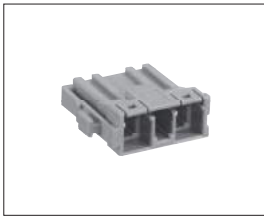


Part No.	HRS No.	Material	Color	Sales unit	RoHS
GT21A-2P-R	771-0047-9	PBT	Dark gray	1	○

Jan. 1, 2022, Copyright 2022 HIROSE ELECTRIC CO., LTD. All Rights Reserved. GT21 GT13 GT16 GT19 FH65 FH40 FH35 FH67

GT5  
GT13  
GT16  
GT19  
GT21  
GT36  
GT43  
GT17  
GT32  
GT25  
KM37  
ZE05  
ZG05J2  
HM-H-200  
ZE64W  
H207L  
FX26  
DE40  
DE40GL  
FH28K  
FH2K  
FH65  
FH40  
FH63S  
FH67

## ■ Housing for F Connector (3 Coaxial)

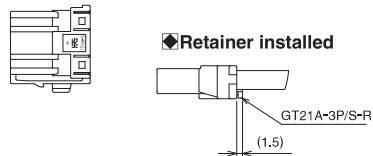


Signal No.	Max cable diameter
1	φ5.2
2	φ3.1
3	φ5.2

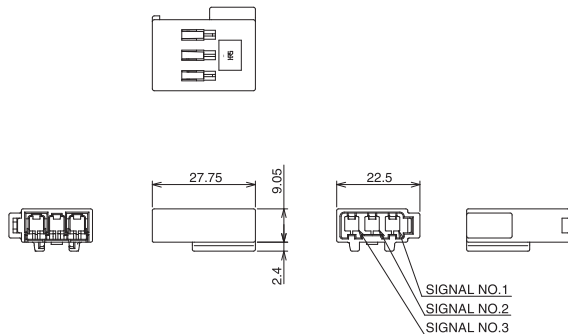
Part No.	HRS No.	Material	Color	Sales unit	RoHS
GT21A-3S-HU	771-0036-2	PBT	Light gray	1	○

\*Applicable terminal : Coaxial terminal for GT21 Series F connector

\*Use together with retainer (GT21A-3P/S-R) sold separately.



## ■ Housing for M Connector (3 Coaxial, Bracket N type)

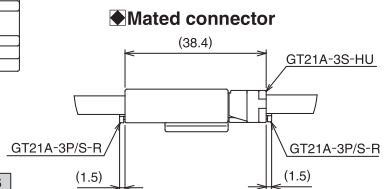


Signal No.	Max cable diameter
1	φ5.2
2	φ3.1
3	φ5.2

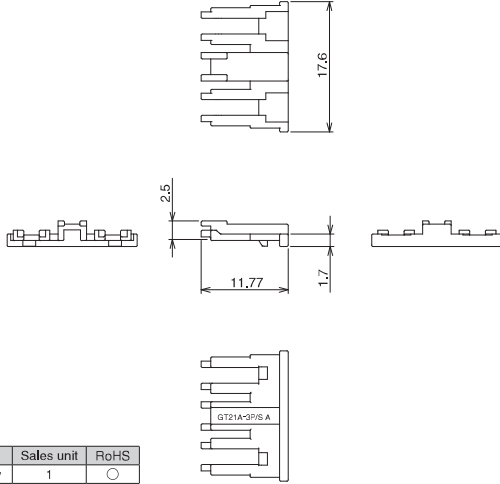
Part No.	HRS No.	Material	Color	Sales unit	RoHS
GT21AN-3PP-HU	771-0037-5	PBT	Light gray	1	○

\*Applicable terminal : Coaxial terminal for GT21 Series M connector

\*Use together with retainer (GT21A-3P/S-R) sold separately.

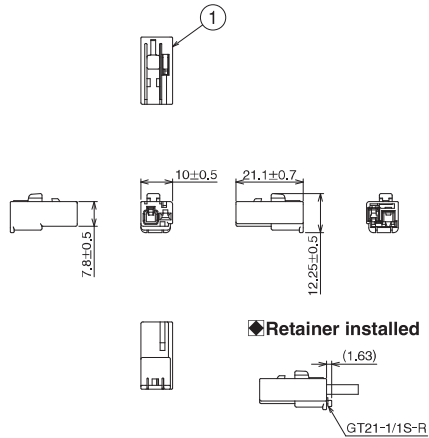
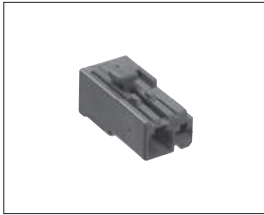


## Common Retainer for F and M Connectors (3 Coaxial)



Part No.	HRS No.	Material	Color	Sales unit	RoHS
GT21A-3P/S-R	771-0038-8	PBT	Dark gray	1	○

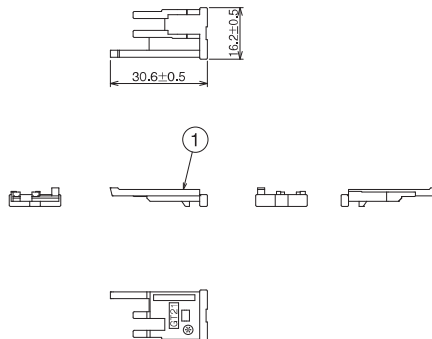
Jan. 1, 2022, Copyright 2022 HIROSE ELECTRIC CO., LTD., All Rights Reserved.

**GT21C Series**Thick power cable ( $\phi 2.6 \sim 3.1$ mm) applicable ver.**■ Housing for F Connector (1 Coaxial + 1 Power)**

Part No.	HRS No.	Material	Color	Key position	Sales unit	RoHS
GT21C-1/1S-HU	771-0106-0	PBT	Black	Standard	1	○
GT21C-1/1S-HU(A)	771-0107-0		Brown	(A)		

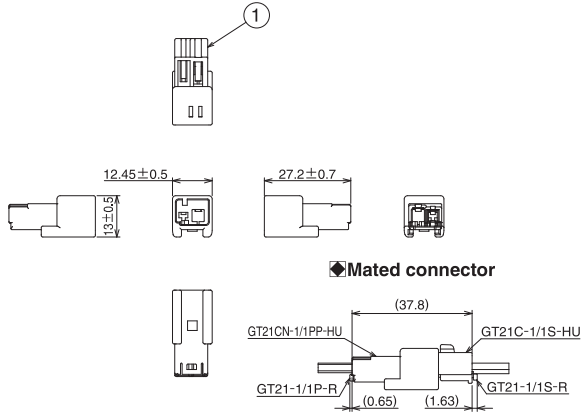
\*Applicable terminal : Coaxial terminal for GT21 Series F connector and Power terminal (GT7 or GT7A)

\*Use together with retainer (GT21-1/1S-R) sold separately.

**■ Retainer for F Connector (1 Coaxial + 1 Power)**

Part No.	HRS No.	Material	Color	Sales unit	RoHS
GT21-1/1S-R	771-0009-0	PBT	Dark gray	1	○

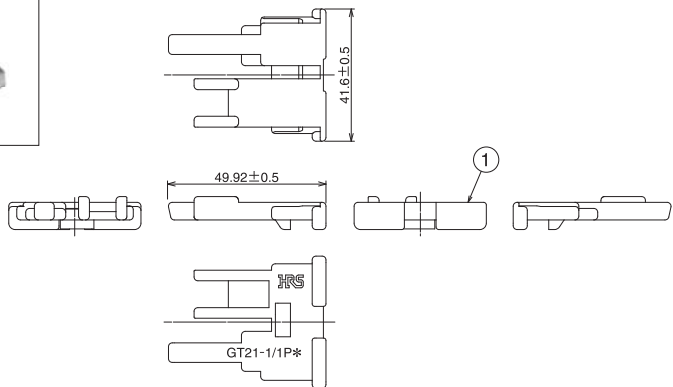
## ■ Housing for M Connector (1 Coaxial + 1 Power)



Part No.	HRS No.	Material	Color	Key position	Sales unit	RoHS
GT21CN-1/1PP-HU	771-0108-0	PBT	Black	Standard	1	○
GT21CN-1/1PP-HU(A)	771-0109-0		Brown	(A)		

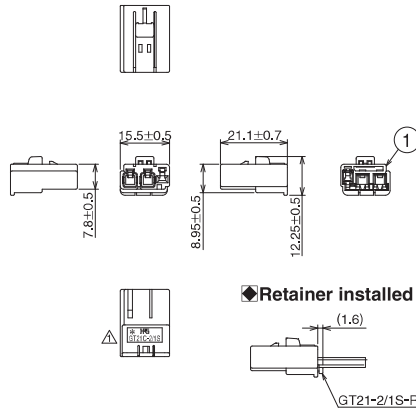
\*Applicable terminal : Coaxial terminal for GT21 Series F connector and Power terminal (GT7 or GT7A)  
 \*Use together with retainer (GT21-1/1P-R) sold separately.

## ■ Retainer for M Connector (1 Coaxial + 1 Power)



Part No.	HRS No.	Material	Color	Sales unit	RoHS
GT21-1/1P-R	771-0076-0	PBT	Dark gray	1	○

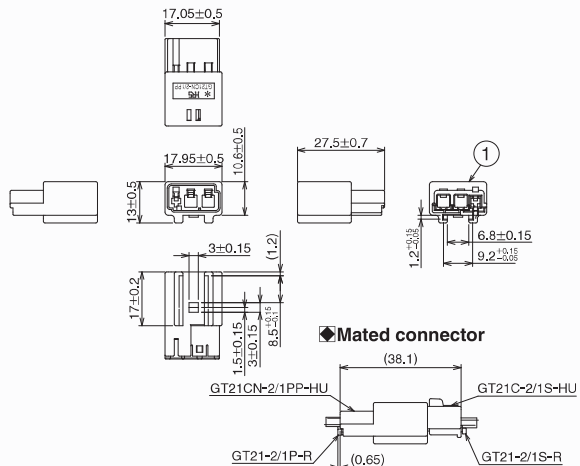
## ■ Housing for F Connector (2 Coaxial + 1 Power)



Part No.	HRS No.	Material	Color	Key position	Sales unit	RoHS
GT21C-2/1S-HU	771-0058-5	PBT	Light gray	Standard	1	○
GT21C-2/1S-HU(A)	771-0101-0		Brown	(A)		
GT21C-2/1S-HU(B)	771-0102-0		Green	(B)		

\*Use together with retainer (GT21-2/1S-R) sold separately.

## ■ Housing for M Connector (2 Coaxial + 1 Power, Bracket N type)

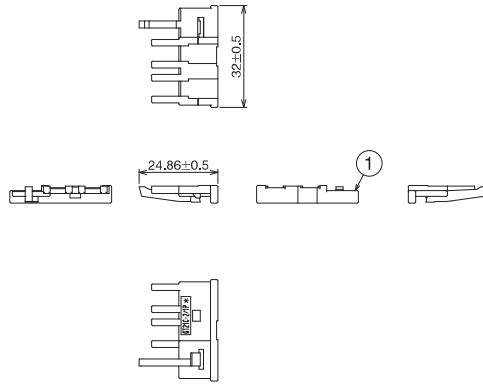


Part No.	HRS No.	Material	Color	Key position	Sales unit	RoHS
GT21CN-2/1PP-HU	771-0060-7	PBT	Light gray	Standard	1	○
GT21CN-2/1PP-HU(A)	771-0104-0		Brown	(A)		
GT21CN-2/1PP-HU(B)	771-0105-0		Green	(B)		

\*Use together with retainer (GT21-2/1P-R) sold separately.

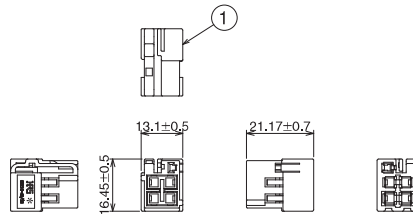
Jan. 1, 2022, Copyright 2022 HIROSE ELECTRIC CO., LTD. All Rights Reserved. GT13 GT16 GT19 GT21 FH65 FH40 FH35 FH67

## ■ Retainer for M Connector (2 Coaxial + 1 Power)

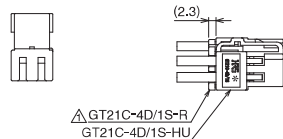


Part No.	HRS No.	Material	Color	Sales unit	RoHS
GT21C-2/1P-R	771-0110-0	PBT	Dark gray	1	○

## ■ Housing for F Connector (4 Coaxial + 1 Power)



### ◆ Retainer installed



△ Note 1 : When assembling, be sure to refer to the following instruction manuals.  
 ATAD-T0472, ATAD-T0685, ATAD-T0735

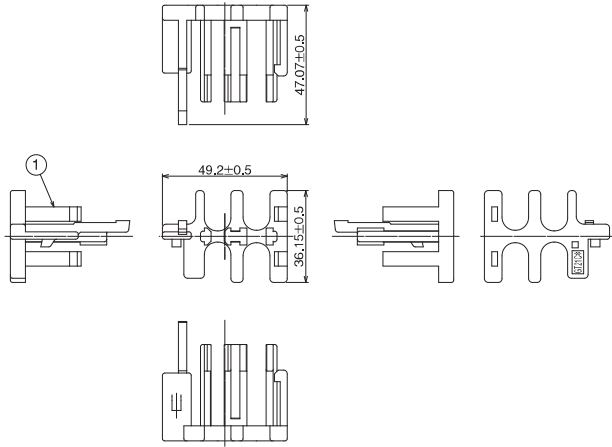
Part No.	HRS No.	Material	Color	Key position	Sales unit	RoHS
GT21C-4D/1S-HU	771-0094-0	PBT	Black	Standard	1	○
GT21C-4D/1S-HU(A)	771-0095-0		Brown	(A)		
GT21C-4D/1S-HU(B)	771-0096-0		Green	(B)		

\*Applicable terminal : Coaxial terminal for GT21 Series F connector and Power terminal (GT7 or GT7A)  
 \*Use together with retainer (GT21C-4D/1S-R) sold separately.

GT5  
GT13  
GT16  
GT19  
GT21  
GT36  
GT43  
GT17  
GT32  
GT25  
KM37  
ZE05  
ZG012  
HM-H200  
ZE64W  
H2071L  
FX26  
DF40  
DF100L  
FH28K  
FH2K  
FH65  
FH40  
FH63  
FH67

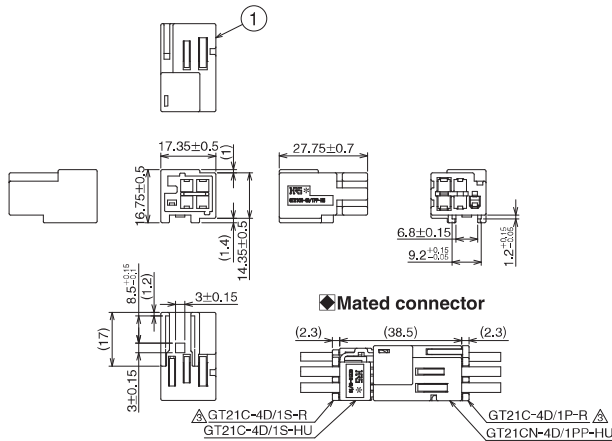
Jan. 1.2022 Copyright 2022 HIROSE ELECTRIC CO., LTD. All Rights Reserved.

## ■ Retainer for F Connector (4 Coaxial + 1 Power)



Part No.	HRS No.	Material	Color	Sales unit	RoHS
GT21C-4D/1S-R	771-0099-0	PBT	Black	1	○

## ■ Housing for M Connector (4 Coaxial + 1 Power)

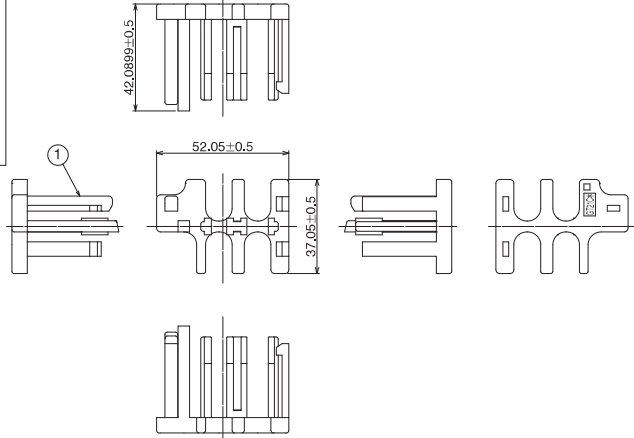


△ Note 1 : When assembling, be sure to refer to the following instruction manuals.  
ATAD-T0472, ATAD-T0685, ATAD-T0735

Part No.	HRS No.	Material	Color	Key position	Sales unit	RoHS
GT21CN-4D/1PP-HU	771-0090-0	PBT	Black	Standard	1	○
GT21CN-4D/1PP-HU(A)	771-0091-0		Brown	(A)		
GT21CN-4D/1PP-HU(B)	771-0092-0		Green	(B)		

\*Applicable terminal : Coaxial terminal for GT21 Series M connector and Power terminal (GT7 or GT7A)  
\*Use together with retainer (GT21C-4D/1P-R) sold separately.

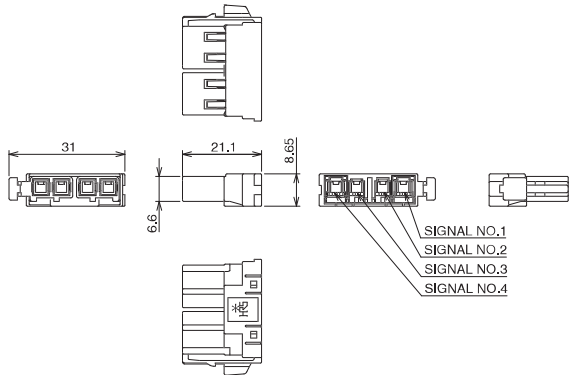
## ■ Retainer for M Connector (4 Coaxial + 1 Power)



Part No.	HRS No.	Material	Color	Sales unit	RoHS
GT21C-4D/1P-R	771-0098-0	PBT	Black	1	○

Jan. 1, 2022, Copyright 2022 HIROSE ELECTRIC CO., LTD. All Rights Reserved.

## ■ Housing for F Connector (4 Coaxial)



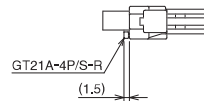
Signal No.	Max cable diameter
1	φ5.2
2	φ3.1
3	φ3.1
4	φ5.2

Part No.	HRS No.	Material	Color	Sales unit	RoHS
GT21A-4S-HU	771-0063-5	PBT	Light gray	1	○

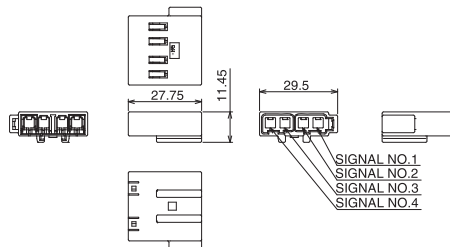
\*Applicable terminal : Coaxial terminal for GT21 Series F connector

\*Use together with retainer (GT21A-4P/S-R) sold separately.

### ◆ Retainer installed



## ■ Housing for M Connector (4 Coaxial, Bracket N type)



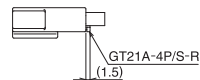
Signal No.	Max cable diameter
1	φ5.2
2	φ3.1
3	φ3.1
4	φ5.2

Part No.	HRS No.	Material	Color	Sales unit	RoHS
GT21AN-4PP-HU	771-0064-8	PBT	Light gray	1	○

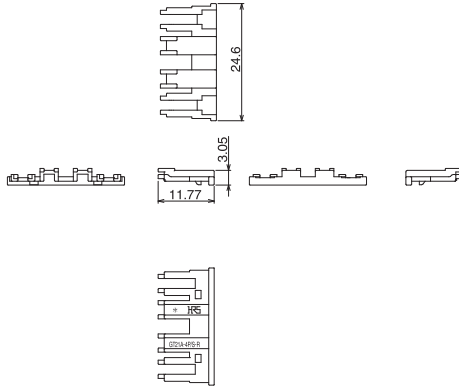
\*Applicable terminal : Coaxial terminal for GT21 Series M connector

\*Use together with retainer (GT21A-4P/S-R) sold separately.

### ◆ Retainer installed



## Common Retainer for F and M Connectors (4 Coaxial)



Part No.	HRS No.	Material	Color	Sales unit	RoHS
GT21A-4P/S-R	771-0065-0	PBT	Dark gray	1	○

## ◆ Crimping Tools

Please ask your Hirose Electric account representative for a user manual.

### Automatic Crimping Machine



Photo for reference only.  
Subject to change.

Part No. CM-105C

### Specifications

Item	Specifications	Remarks
Press capacity	1.5tons	
Stroke length	30mm	
Number of strokes	200spm (50Hz)	200spm (60Hz)
Weight	75kg	
Motor	0.2kW	AC100V
Crimping speed	2,000~4,000/H	

\*Terminal crimp height setting tables are available for each cable type. Please contact your Hirose Electric account representative. Please note that we will need to define new crimp heights for novel cables and this may take a few days.

\*Special reel stand (CM105/RS-ED) and applicator are required for each cable.

### Applicator (for Mounting to Automatic Crimping Machines)

Contact Product No.	Contact HRS No.	Tool No.	Tool HRS No.
GT21-30/1.6-2.9SCF	771-0012-4	AP-GT21-30/1629S	901-5203-5
		AP-GT21-30/1629S-2	901-5217-0
GT21-30/1.6-2.9SCF (ID)	771-0057-2	AP-GT21-30/1629SI	901-5201-0
		AP-GT21-2428/1629S	901-5191-8
GT21-2428/1.6-2.9SCF	771-0004-6	AP-GT21-2428/1629S-2	901-5215-4
		AP-GT21-30/0715P	901-5207-6
GT21-30/0.7-1.5PCF	771-0056-0	AP-GT21-30/1629P	901-5208-9
		AP-GT21-30/1629P-2	901-5218-2
GT21-30/1.6-2.9PCF (ID)	771-0066-3	AP-GT21-30/1629PI	901-5219-5
		AP-GT21-2428/1629P	901-5209-1
GT21-2428/1.6-2.9PCF	771-0013-7	AP-GT21-2428/1629P-2	901-5216-7
		AP-GT21B-2426/1629S	901-5247-0
		AP-GT21B-2426/1629P	901-5248-0

Please refer to our cable termination procedure manual for performing terminations.

## X-ON Electronics

Largest Supplier of Electrical and Electronic Components

*Click to view similar products for [Automotive Connectors](#) category:*

*Click to view products by [Hirose](#) manufacturer:*

Other Similar products are found below :

[72.330.1035.1](#) [776880-1](#) [827153-1](#) [9-1326729-8](#) [9-221607-5](#) [925474-1](#) [968782-1](#) [98891-1012](#) [98989-1011](#) [12004468](#) [12004475-L](#)  
[12004483](#) [12033816](#) [12052466](#) [12066163](#) [12015909](#) [12077753](#) [12047958](#) [12084688](#) [12336-12](#) [12343-16-20](#) [13669373](#) [13681974](#)  
[13688972](#) [13779834](#) [13796274](#) [13843152](#) [13581967](#) [13667961](#) [13669624](#) [13675513](#) [13753471](#) [13946876](#) [13955963](#) [13971791](#) [13979933](#)  
[13797473](#) [13805590](#) [13888202](#) [1428188-1](#) [1437287-3](#) [1428188-2](#) [DS07-19S-5020](#) [1456987-7](#) [APD-7CP-H](#) [APK-SB25A10L](#) [1452931-2](#)  
[15317331](#) [15326397](#) [15336198](#)