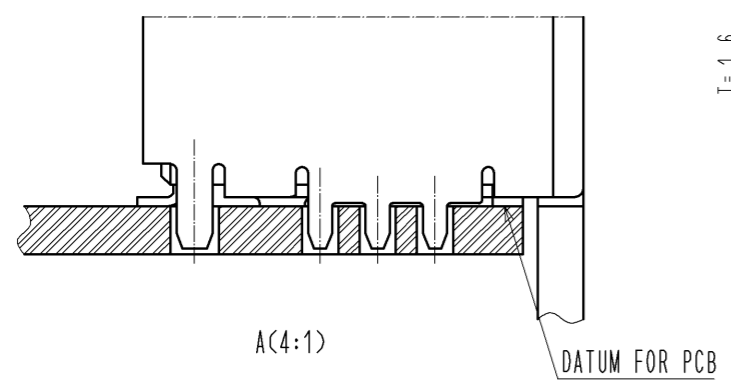
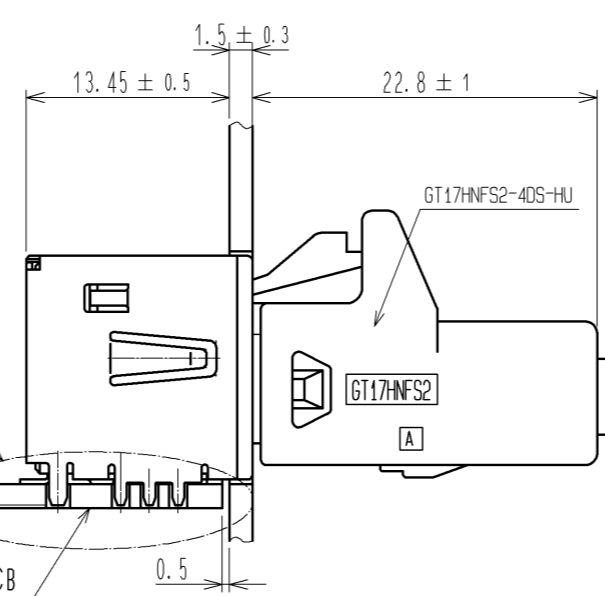
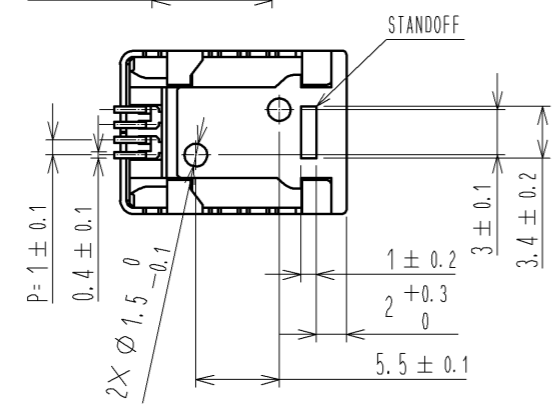
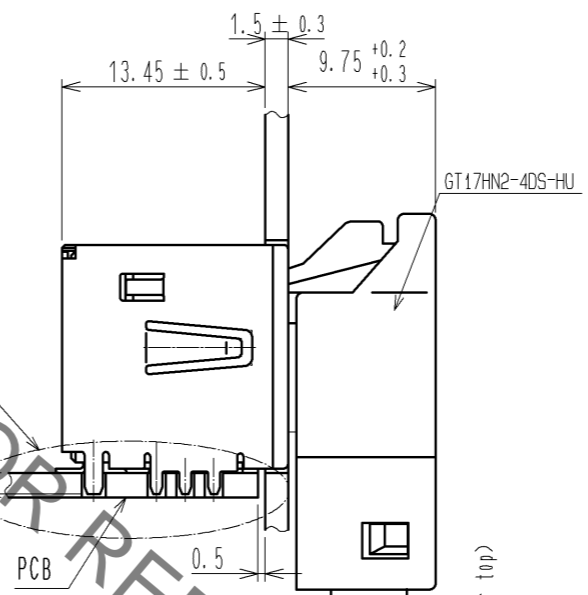
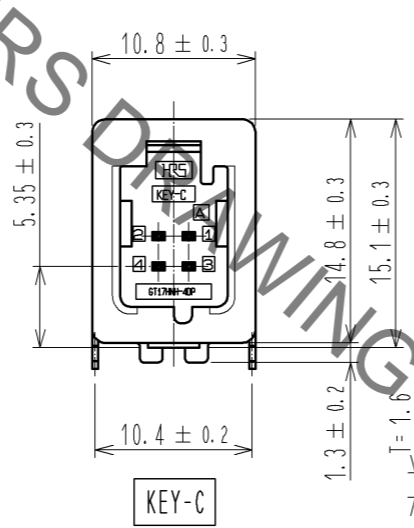
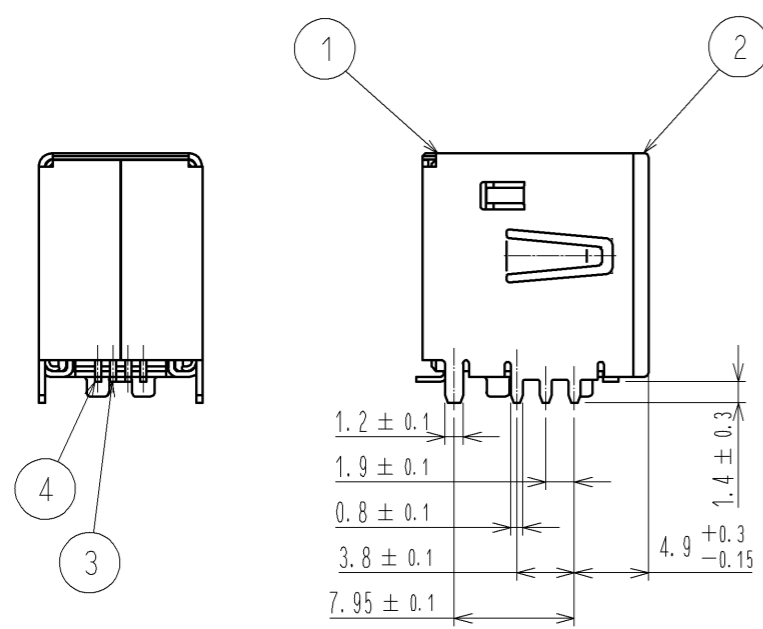
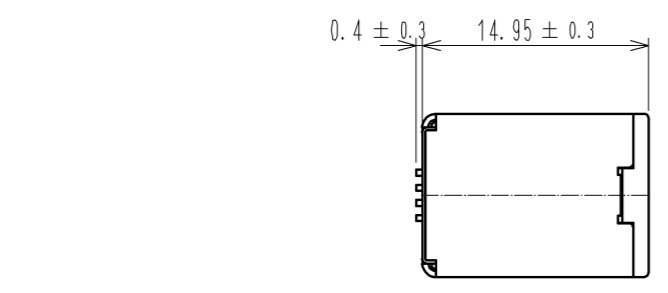
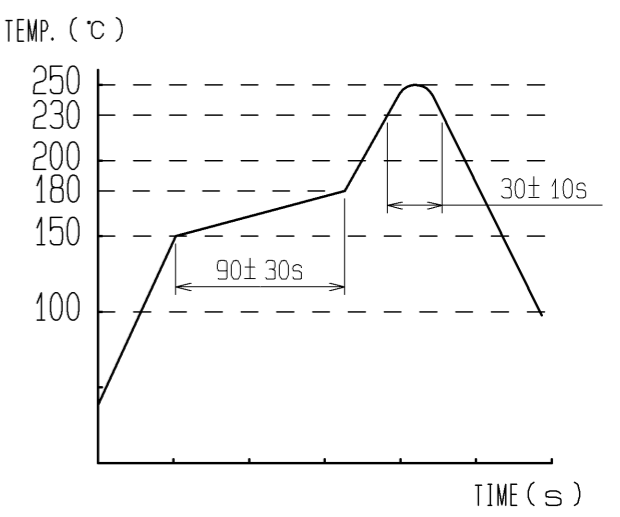


Oct.1.2019 Copyright 2019 HIROSE ELECTRIC CO., LTD. All Rights Reserved.
In case of consideration for using Automotive equipment / device which demand high reliability, kindly contact our sales window correspondents.

ELV, RoHS COMPLIANT

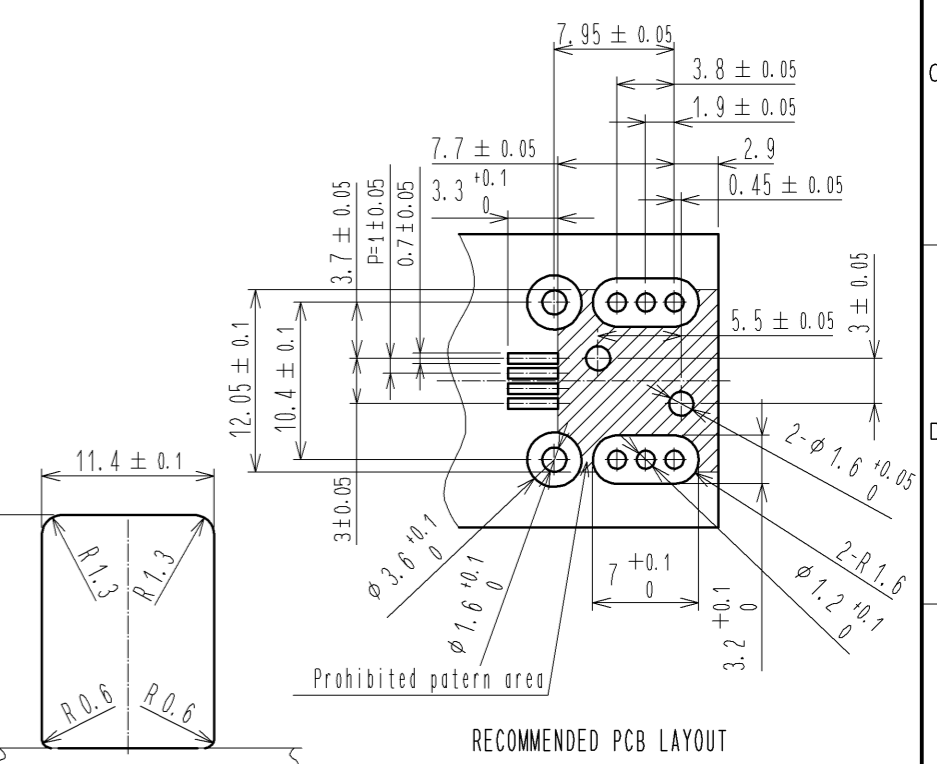
- NOTES
1. RECOMMENDED REFLOW PROFILE (SEE RIGHT GRAPF)
CYCLE TIME: UP TO 2 CYCLES OF REFLOW SOLDERING ARE POSSIBLE UNDER THE CONDITIONS. PROVIDED THAT THERE IS A RETURN TO NOMAL TEMPERATURE BETWEEN THE FIRST AND SECOND CYCLE.
PEAK TEMPERATURE: 250°C
230°C MIN. FOR 20 TO 40 SECONDS.
PREHEATING AREA 150~180°C FOR 60 TO 120 SECONDS.
 2. HAND SOLDERING: 280-300°C, 2S MAX.
 3. CONTACT COPLANARITY: 0.1mm MAX.
 4. RECOMMENDED THICKNESS OF PCB: 1.6mm
 5. RECOMMENDED THICKNESS OF SOLDERING PASTE: 0.15mm
 6. FOR THE PREVENTION EXCESSIVE STRESS FOR CONNECTOR AND PCB. WE RECOMMEND ADDITIONAL SUPPORT MECHANISM IF THE FLANGE WAS ELIMINATED.



IN COMBINATION WITH RIGHT-ANGLE CONNECTOR

IN COMBINATION WITH STRAIGHT CONNECTOR

15.4 ± 0.1 (Dimension from PCB surface to connector top)

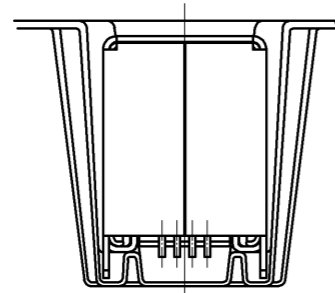
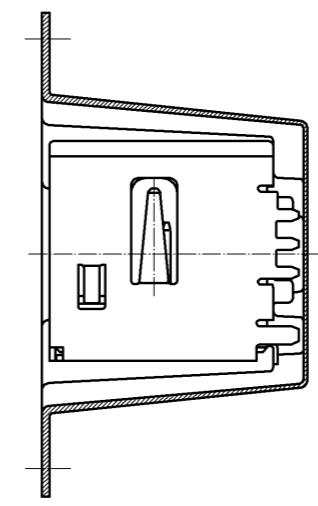
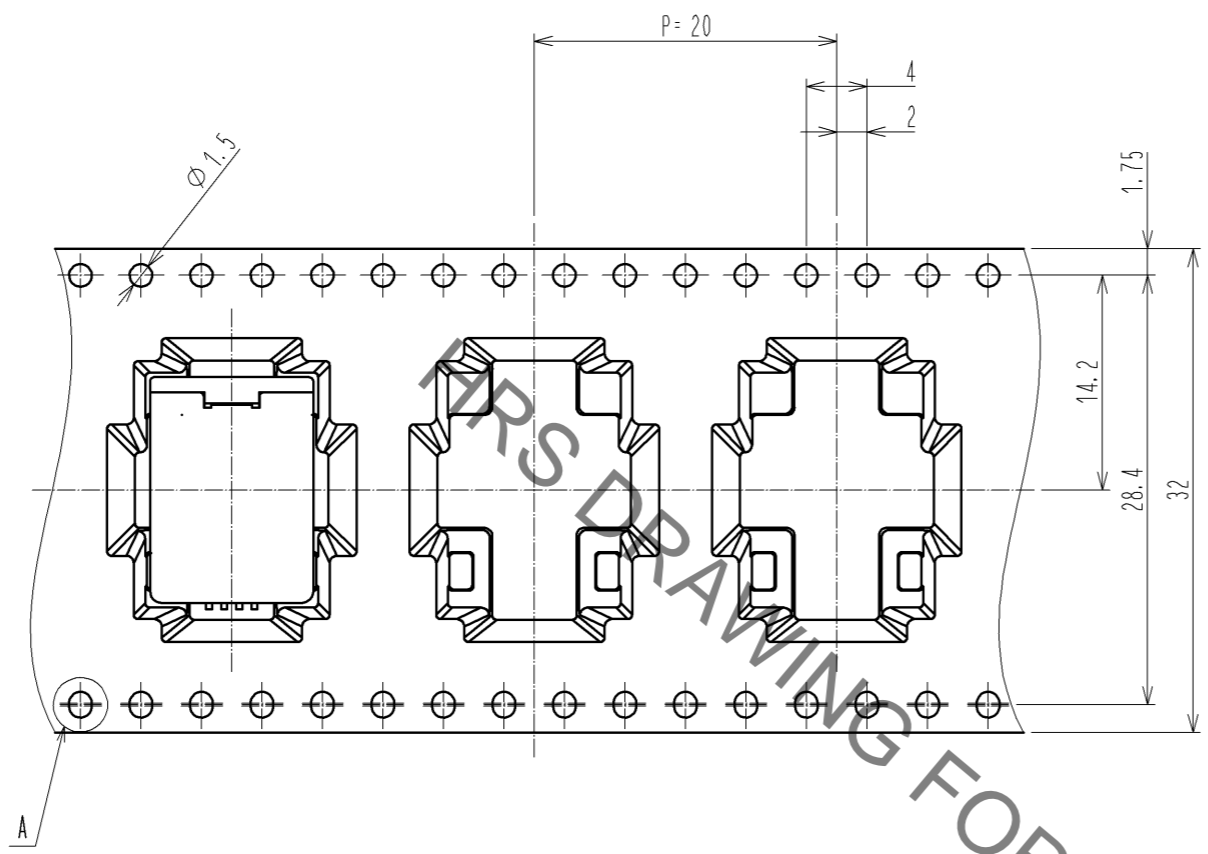


RECOMMENDED PANEL LAYOUT

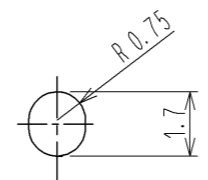
2	PA	BLUE	4	BRASS	TIN PLATING
1	COPPER ALLOY	TIN PLATING	3	BRASS	TIN PLATING
部番	材質	処理, 備考	部番	材質	処理, 備考
UNITS mm		SCALE 2 : 1	△の数	訂正記事	設計
HRS HIROSE ELECTRIC CO., LTD.		承認 : NH. NAKATA 14.09.11	図番 :	EDC3-357105-01	
		検 査 : TS. KUBOTA 14.09.11	製品名 :	GT17HNH-4DP-2H(C)(10)	
		設 計 : NK. IKUTA 14.09.11	製品コード :	CL767-0340-4-10	
		製 図 : NK. IKUTA 14.09.11			1/2

Oct.1.2019 Copyright 2019 HIROSE ELECTRIC CO., LTD. All Rights Reserved.
 In case of consideration for using Automotive equipment / device which demand high reliability, kindly contact our sales window correspondents.

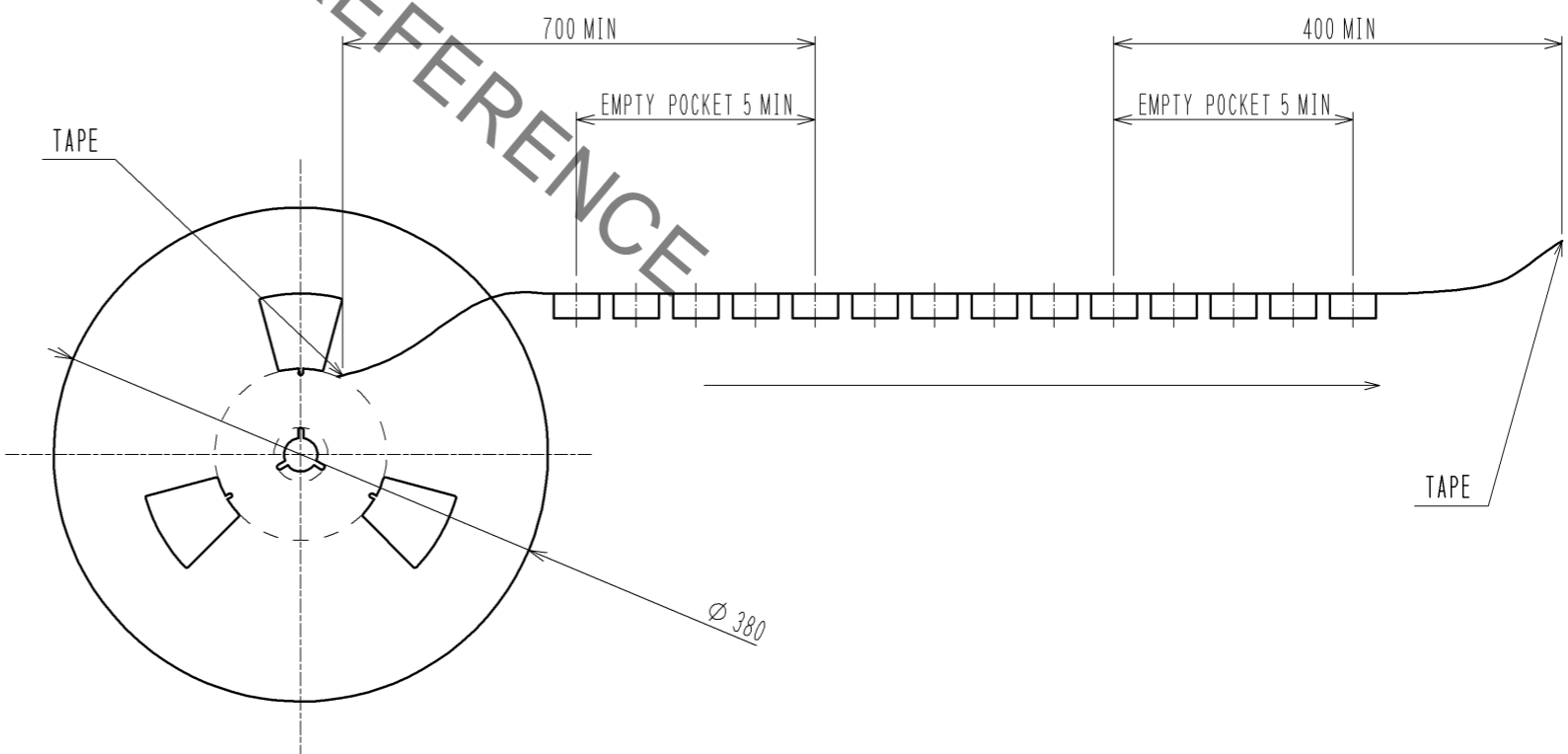
REEL DIRECTION



PACKAGE STYLE
230PCS/REEL



A (5 : 1)



HRS	図番:	EDC3-357105-01	2/2
	製品名:	GT17HNNH-4DP-2H(C)<10>	
	製品コード:	CL767-0340-4-10	

X-ON Electronics

Largest Supplier of Electrical and Electronic Components

Click to view similar products for [Automotive Connectors](#) category:

Click to view products by [Hirose](#) manufacturer:

Other Similar products are found below :

[003-018-000](#) [60403001](#) [60993906-B](#) [M902-2131](#) [M902-2161](#) [72.330.1035.1](#) [73.353.4028.0](#) [F119300-B](#) [F166900](#) [F258300-B](#) [F358300-B](#)
[F407400](#) [F444110](#) [F487000](#) [F509500B-B](#) [827153-1](#) [8N1515-32-24P](#) [9-1326729-8](#) [925474-1](#) [928905-1](#) [964562-4](#) [968782-1](#) [GT17SA-8DS-](#)
[HU](#) [98891-1012](#) [98947-1016](#) [12004475-L](#) [12010290](#) [12010309-B](#) [12015454](#) [12020219-B](#) [12020308](#) [12041318-B](#) [12052225-L](#) [12052466](#)
[12059125](#) [12064869](#) [12004327-B](#) [12010503-B](#) [12015308](#) [12015384](#) [12015909](#) [1-21030-1](#) [12041254](#) [12041318](#) [12047946-B](#) [12047957](#)
[12047957-L](#) [12059473](#) [12066261](#) [12110546](#)