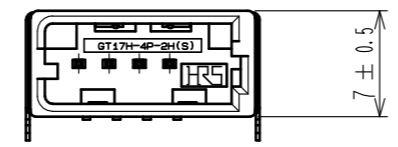
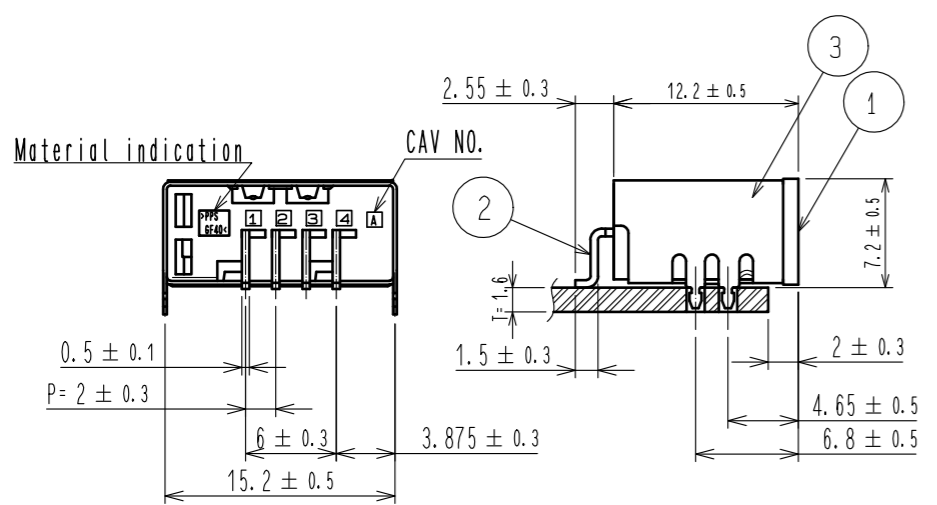
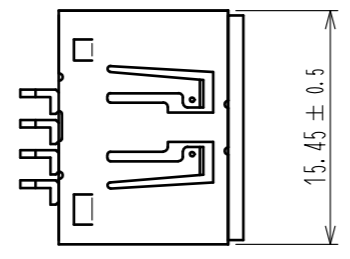
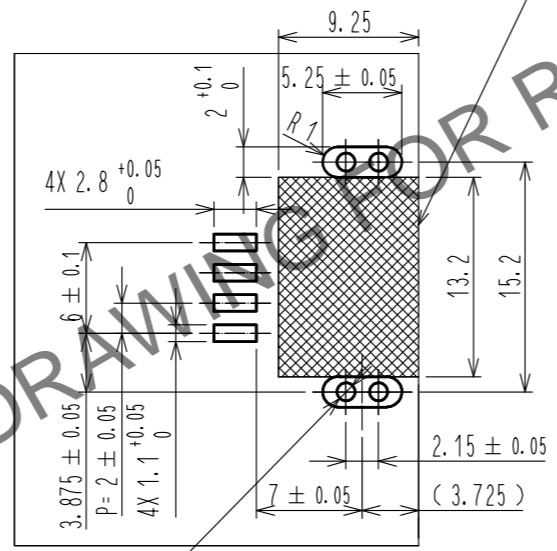


May.1.2024 Copyright 2024 HIROSE ELECTRIC CO., LTD. All Rights Reserved.
In case of consideration for using Automotive equipment / device which demand high reliability, kindly contact our sales window correspondents.

RoHS, ELV COMPLIANT

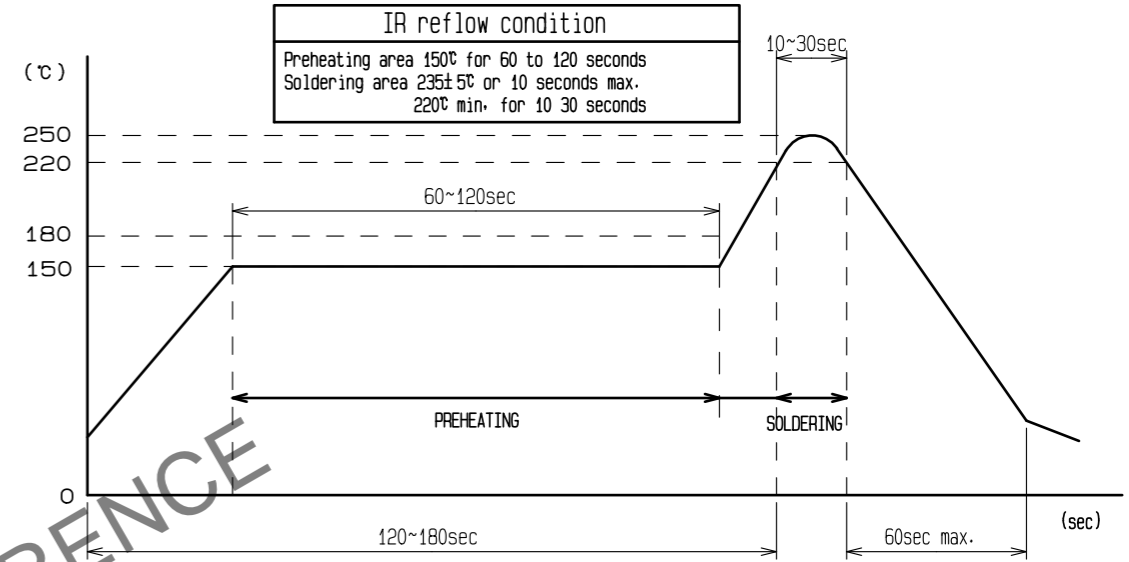


PROHIBITED PATTERN AREA



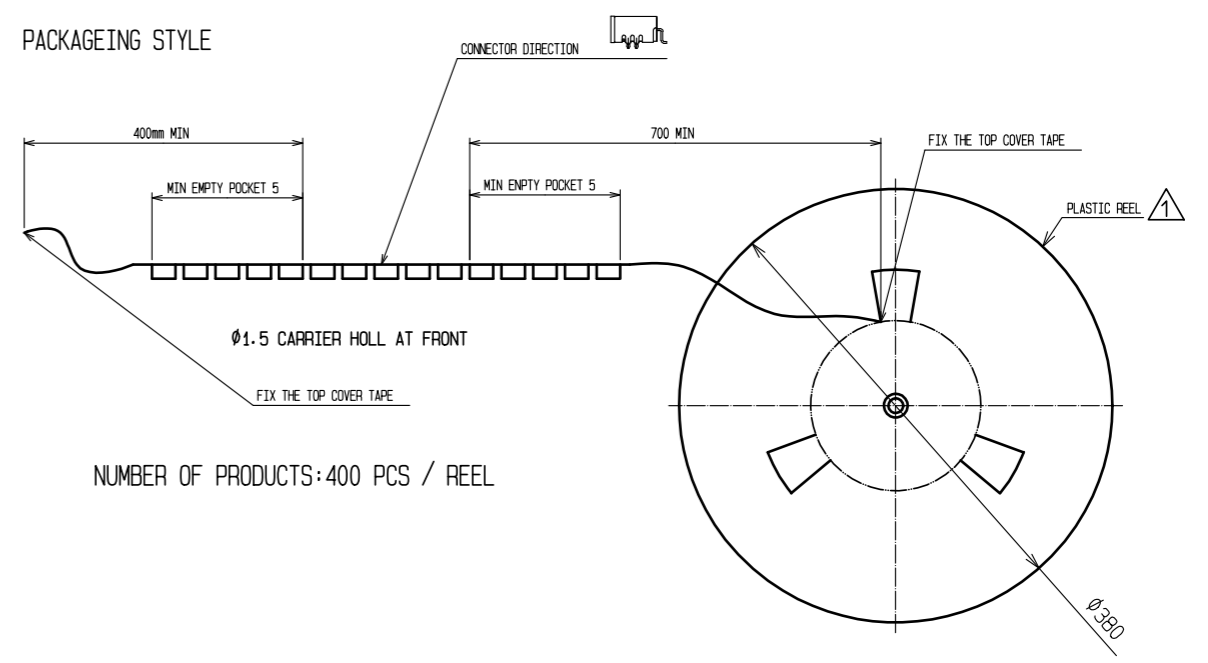
4X THROUGH HOLE $\phi 1.2 \pm 0.1$

RECOMMENDED REFLOW PROFILE

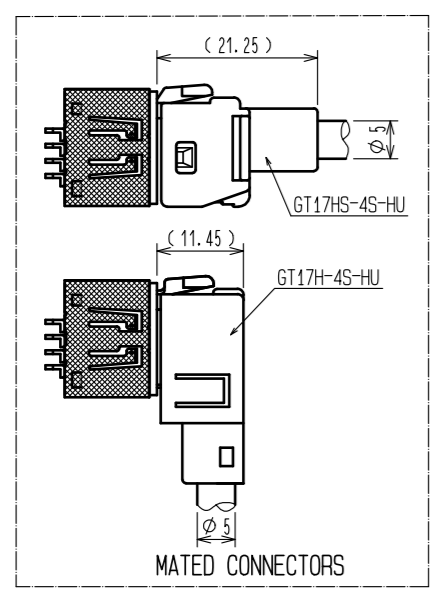


Note1. The soldering process is allowed up to twice under the same condition. However, the interval between the first and second process must be maintained at the room temperature.
Note2. The temperature indicates the board surface temperature on the connector lead area.

PACKAGEING STYLE



NUMBER OF PRODUCTS: 400 PCS / REEL



CL767-0083-3 GT17H-4P-2H COLOR : LIGHT GRAY	CL767-0170-6 GT17H-4P-2H(A) COLOR : BROWN	CL767-0171-9 GT17H-4P-2H(B) COLOR : GREEN	CL767-0172-1 GT17H-4P-2H(C) COLOR : BLUE
MATING INSULATOR : CL767-0084-6 GT17H-4S-2C COLOR : LIGHT GRAY	MATING INSULATOR : CL767-0167-1 GT17H-4S-2C(A) COLOR : BROWN	MATING INSULATOR : CL767-0168-4 GT17H-4S-2C(B) COLOR : GREEN	MATING INSULATOR : CL767-0169-7 GT17H-4S-2C(C) COLOR : BLUE

2	BRASS	TIN PLATING	4				
1	PPS	LIGHT GRAY	3	COPPER ALLOY Sn PLATING 1#m			
NO.	MATERIAL	FINISH . REMARKS	NO.	MATERIAL	FINISH . REMARKS		
UNITS mm		SCALE 2 : 1	COUNT 1	DESCRIPTION OF REVISIONS DIS-T-00006678	DESIGNED TS. KUBOTA	CHECKED EJ. WAKATSUKI	DATE 20200909
HRS HIROSE ELECTRIC CO., LTD.		APPROVED : KI. HIROKAWA 20200326	DRAWING NO. EDC-166354-55-00		PART NO. GT17H-4P-2H(55)		
		CHECKED : EJ. WAKATSUKI 20200325	CODE NO. CL767-0083-3-55		1/1		
		DESIGNED : TS. KUBOTA 20200325					
		DRAWN : YK. MITSUISHI 20200219					

X-ON Electronics

Largest Supplier of Electrical and Electronic Components

Click to view similar products for [Automotive Connectors](#) category:

Click to view products by [Hirose](#) manufacturer:

Other Similar products are found below :

[60993906-B](#) [72.330.1035.1](#) [776880-1](#) [827153-1](#) [9-1326729-8](#) [9-221607-5](#) [12004468](#) [12004475-L](#) [12004483](#) [12033816](#) [12052466](#) [12066163](#)
[12015909](#) [12047958](#) [12336-12](#) [13579678](#) [13669373](#) [13681974](#) [13688972](#) [13796274](#) [13843152](#) [13581967](#) [13667961](#) [13669624](#) [13675513](#)
[13753471](#) [13946876](#) [13955963](#) [13971791](#) [13979933](#) [13797473](#) [13888202](#) [1428188-1](#) [1437287-3](#) [1428188-2](#) [DS07-19S-5020](#) [APK-](#)
[SB25A10L](#) [1452931-2](#) [15317331](#) [15326397](#) [15336198](#) [15435215](#) [15459772](#) [15305306](#) [15345479](#) [15396680](#) [15544350](#) [15482410](#)
[15489904](#) [15513652](#)