

- Notes
- Make sure that the O-ring is NOT twisting and properly assembled during this mounting process.
 - Use ring terminal M8 for the power contact. The recommended tightening torque of Ref. No. ⑩ and ⑪ is 6.0 to 6.5 N·m. Recommended bolt size are as follows.
 - Ref. No. ⑩ : Screw size M8, Pitch 1.25 Length 10 to 12 mm. (For panel thickness, Refer to the next page Fig.1)
 - Ref. No. ⑪ : Screw size M8, Pitch 1.25 Length 12 to 15 mm. (Assume ring terminal thickness t = 2.5 to 3. When using ring terminal with different thickness, choose appropriate bolt size per the thickness.)
 - Mating connector at signal contact side is as follows.

| Connector | GT8E-2S-2C | CL758-0030-6-00 | |
|---------------|--------------|-----------------|----------------------------|
| Crimp contact | GT8E-2022SCF | CL758-0033-4-00 | For AWG#20~22 Reel contact |
| | GT8B-2428SCF | CL758-0055-7-00 | For AWG#24~28 Reel contact |
| | GT8E-2022SC | CL758-0101-2-00 | For AWG#20~22 Bulk contact |

- Fig.1 shows the recommended panel cut out dimentions. Roughness on the panel surface indicated by for water sealing must be $\sqrt{Rz} 3.2$
- This product is delivered with the plug and receptacle unmated as shown in Fig. 4.
- Appearance of each of the plug and receptacle are shown in Fig.2
- Lot No. is marked in one the indicated part shown.
- Make sure the locking system firmly completed before using the this product. Fig.3 indicates rotated position of the plug and the receptacle with locking completed. Also, 'LOCK' marking on the receptacle can be seen from the plug hole.

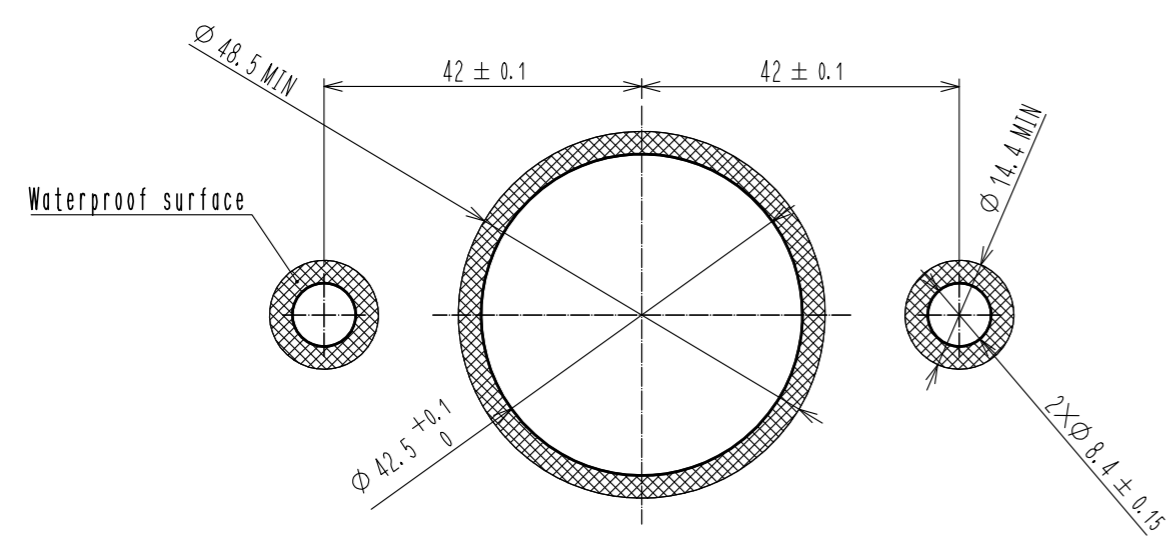
- WARNING
- Never engage/disengage the plug while the power contacts (Ref. No. ③ and Ref. No. ④) are energized. Signal contacts are sequentially connected after the power line in the plug engagement, and disconnected before the power line in the disengagement. Therefore, use the product with the circuit to avoid hot-plugging provided. Mating sequence of power line and signal line are shown in Fig. 1 along with the appearance and circuit of each state.
 - Rotated position of the plug and the receptacle are is shown as an exapmle.
 - For product handling, refer to the Operation guide ETAD-C0320.
 - Female contact Ref. No. ⑫ is loose before the bolt is attached to Ref. No. ⑬, and the female contact is movable as shown in Fig. 2, but stabilized to the receptacle after the screw fix. Therefore the looseness is eliminated for the use and does not affect its performance. (0.2) shown in Fig. ⑧ is the state when the bolt is tightened.
 - Engage the plug to the receptacle after all the assembly including cable wiring are completed for safety.
 - There are traces of white lubricant dry in the vicinity of that shown in the illustration D and E. It doe's not adversely affect the performance.

| | | | | | |
|---|---|------------------------|----|---|------------------------|
| 6 | Hydrogenation acrylonitorile butadiene rubber | (Black) | 12 | Polybutylene terephthalate | (Black) UL94V-0 |
| 5 | Polybutylene terephthalate | (Orange) UL94V-0 | 11 | Brass | Nickel plating |
| 4 | Copper alloy | Tin plating 1μm MIN | 10 | Brass | Nickel plating |
| 3 | Copper | Silver plating 3μm MIN | 9 | Hydrogenation acrylonitorile butadiene rubber | (Black) |
| 2 | Hydrogenation acrylonitorile butadiene rubber | (Black) | 8 | Copper alloy | Silver plating 3μm MIN |
| 1 | Polybutylene terephthalate | (Orange) UL94V-0 | 7 | Copper alloy | Tin plating 1μm MIN |

| 部番 | 材質 | 処理 | 備考 | 部番 | 材質 | 処理 | 備考 | |
|-------------------------------|----|-------|------------------------|-------|------------------|----|----|-----|
| UNITS | mm | SCALE | 1:2 | △の数 | 訂正記事 | 設計 | 検図 | 年月日 |
| HRS HIROSE ELECTRIC CO., LTD. | | 承認 | YH. YAMADA 17.07.14 | 図番 | EDC-119542-00-00 | | | |
| | | 検図 | HY. KOBAYASHI 17.07.14 | 製品名 | EM30MSD-A | | | |
| | | 設計 | TY. SUZUKI 17.07.14 | 製品コード | CL138-0206-0-00 | | | |
| | | 製図 | TY. SUZUKI 17.07.14 | | | | | |

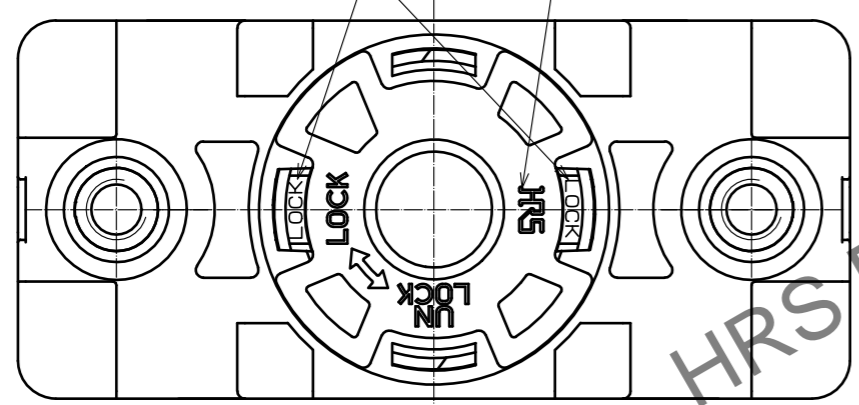
May.1.2024 Copyright 2024 HIROSE ELECTRIC CO., LTD. All Rights Reserved.
 In case of consideration for using Automotive equipment / device which demand high reliability, kindly contact our sales window correspondents.

4 Fig.1 The recommended panel dimention (t = 2 to 4.5)



8 Fig.3 State of locked

LOCK indication is visible.
 Top face of HRS logo becomes parallele to the shortsides of the receptacle.

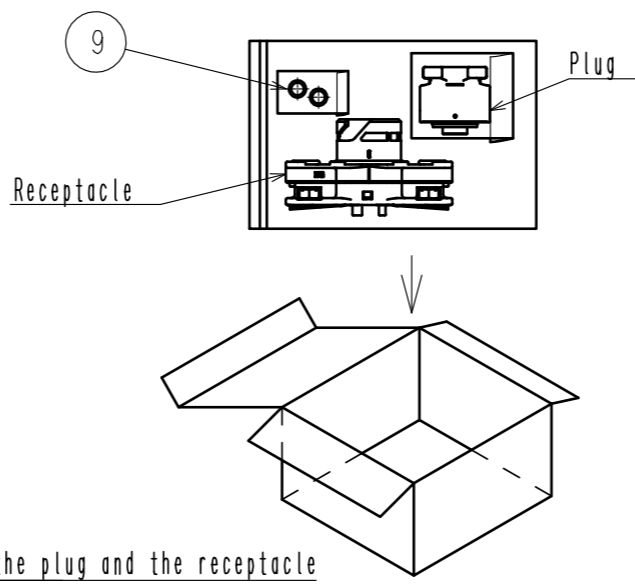


9 Table.1 Connection Timing (Power line and signal line)

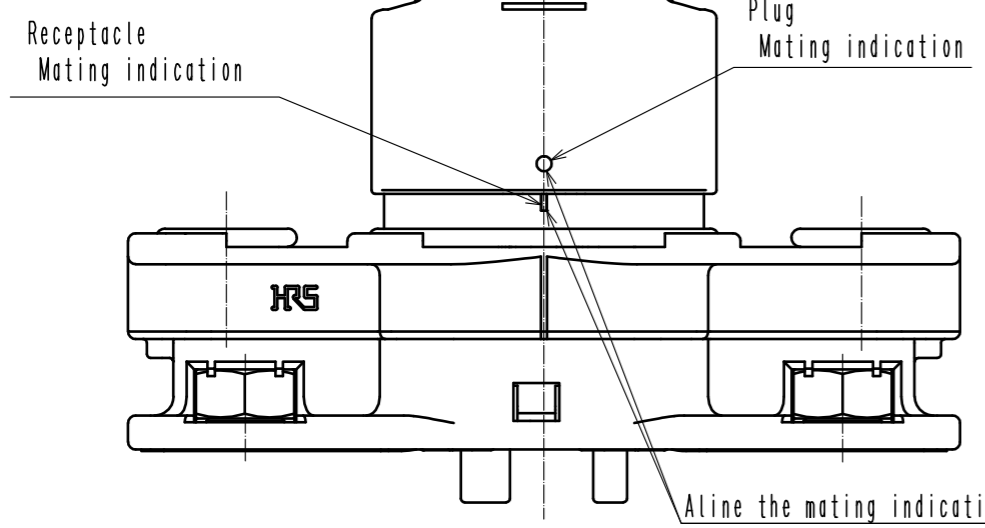
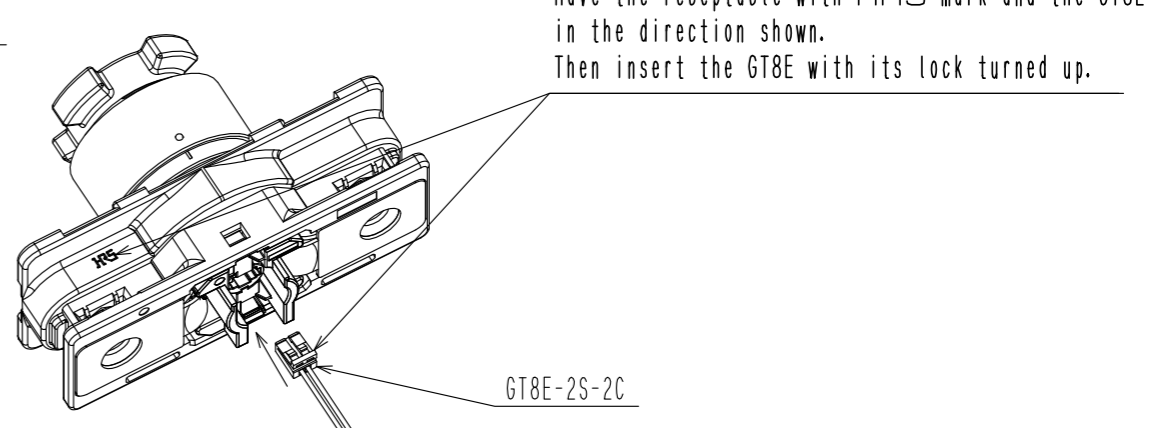
Ⓐ-Ⓑ Power line
 Ⓒ-Ⓓ Signal line

| State | Before mating | Insertion plug | Rotated and Locked | Unlocked | Unmated |
|-----------------|---------------|--|--------------------------------------|--------------------------------------|---------|
| Appearance | | | | | |
| Connection | | Power line closed. Signal line open. No power current. | Signal line closed. Power line ON | Signal line open. Power line OFF. | |
| Circuit diagram | | | | | |

5 Fig.4 View of packing style



3 View of signal contact side



HRS

| | |
|--------|------------------|
| 図番: | EDC-119542-00-00 |
| 製品名: | EM30MSD-A |
| 製品コード: | CL138-0206-0-00 |

2/2

X-ON Electronics

Largest Supplier of Electrical and Electronic Components

Click to view similar products for [Heavy Duty Power Connectors](#) category:

Click to view products by [Hirose](#) manufacturer:

Other Similar products are found below :

[6646137-1](#) [6646138-1](#) [6646940-1](#) [6651091-1](#) [6651525-1](#) [6651529-1](#) [696475-1](#) [702-32-01109](#) [73080255059](#) [73080965046](#) [7310205040001](#)
[765-16-0080B](#) [765-18-0080D](#) [MHDM35-15-K](#) [902-77-02113](#) [PS00/A0620/6300](#) [PS25/A0420/63](#) [AN0024023](#) [157-43GW8](#) [MS3117-14AC](#)
[1643543-1](#) [1791340000](#) [NLDFT-3-BL-L-S120-M40A](#) [NLDFT-N-W-L-C240-M40B](#) [1926015-1](#) [NLS-2-R-C240-M40B](#) [NLS-3-BL-C240-](#)
[M40B](#) [NLS-N-W-C240-M40B](#) [NPS-3-BL-T6](#) [C148 10A005 000 9](#) [2-1589900-8](#) [9300480317](#) [294-0091-01100](#) [295-0068-01100](#) [296-0040-](#)
[01100](#) [1-6609148-0](#) [A32595-0049](#) [19000005132](#) [1926016-1](#) [1-966831-8](#) [AN0264023](#) [279-0841-10100A](#) [281-0334-00100A](#) [RMSB4](#) [419-](#)
[2083-301](#) [078238-1613](#) [078238-2910](#) [078239-2912](#) [07.470.3256.0](#) [078239-2910](#)