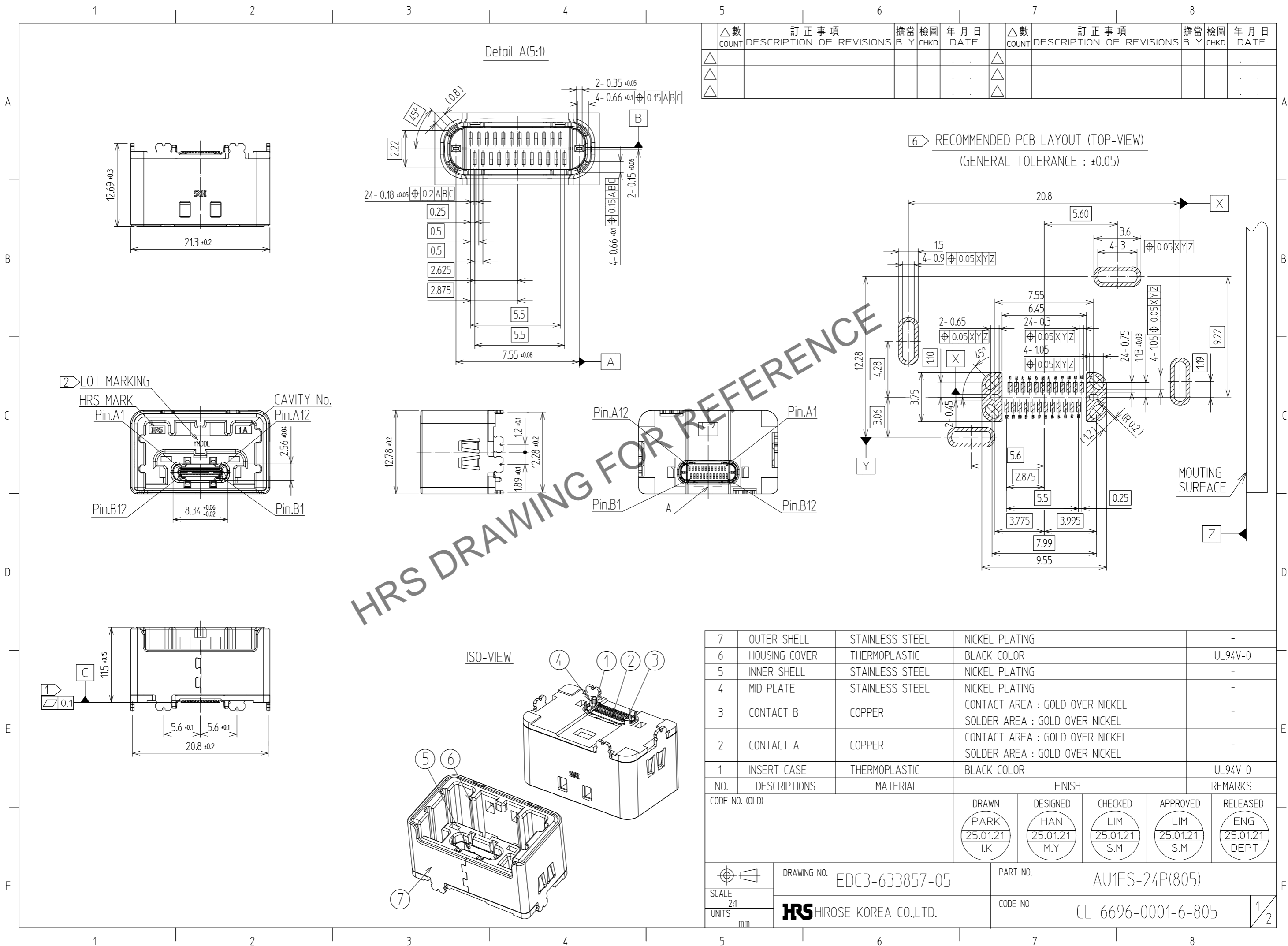


Apr.1.2025 Copyright 2025 HIROSE ELECTRIC CO., LTD. All Rights Reserved.
In case of consideration for using Automotive equipment / device which demand high reliability, kindly contact our sales window correspondents.



△數 COUNT	訂正事項 DESCRIPTION OF REVISIONS	擔當 B	檢圖 CHKD	年月日 DATE	△數 COUNT	訂正事項 DESCRIPTION OF REVISIONS	擔當 B	檢圖 CHKD	年月日 DATE
△					△				
△					△				
△					△				

6 RECOMMENDED PCB LAYOUT (TOP-VIEW)
(GENERAL TOLERANCE : ±0.05)

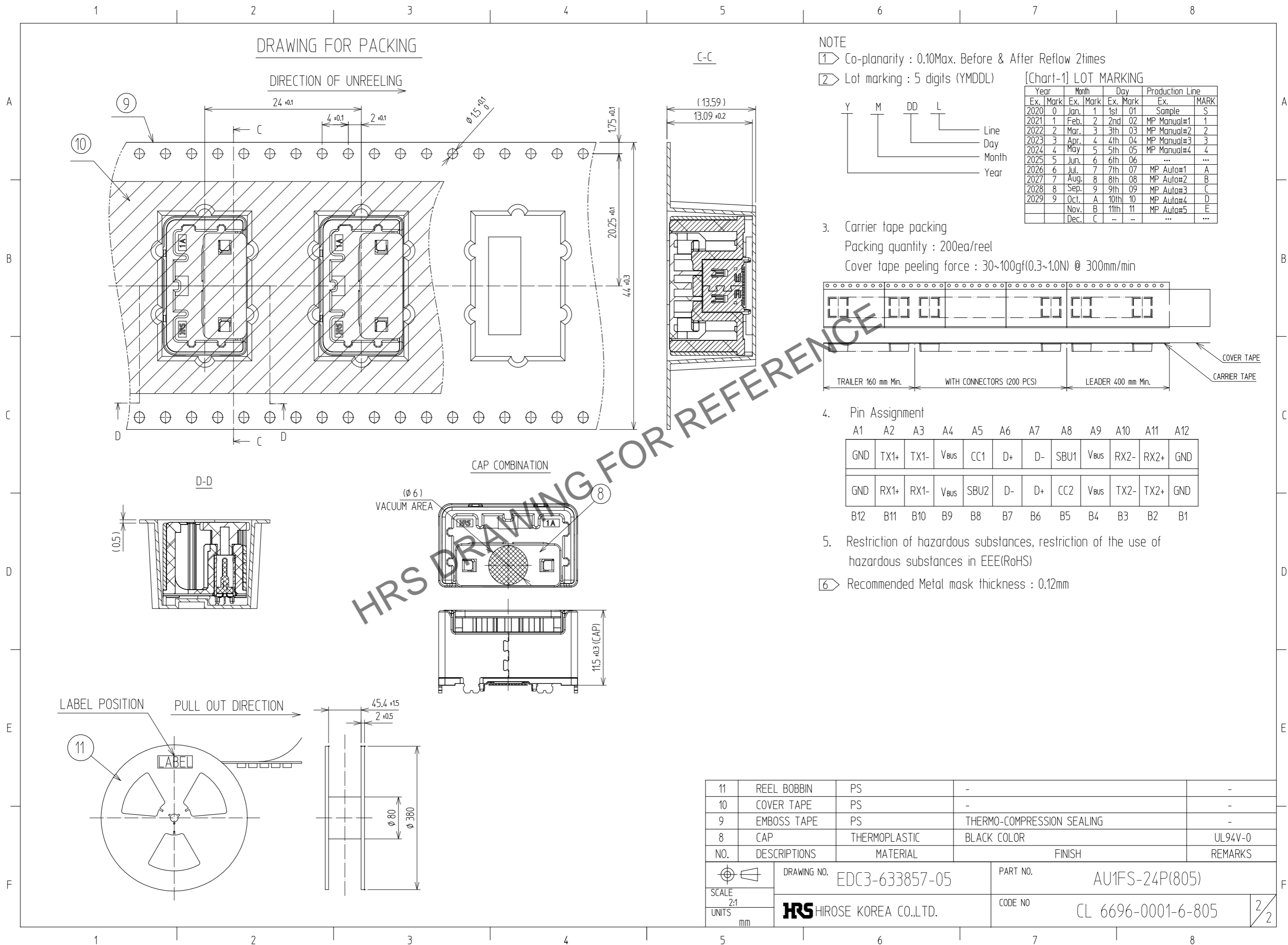
NO.	DESCRIPTIONS	MATERIAL	FINISH	REMARKS
7	OUTER SHELL	STAINLESS STEEL	NICKEL PLATING	-
6	HOUSING COVER	THERMOPLASTIC	BLACK COLOR	UL94V-0
5	INNER SHELL	STAINLESS STEEL	NICKEL PLATING	-
4	MID PLATE	STAINLESS STEEL	NICKEL PLATING	-
3	CONTACT B	COPPER	CONTACT AREA : GOLD OVER NICKEL SOLDER AREA : GOLD OVER NICKEL	-
2	CONTACT A	COPPER	CONTACT AREA : GOLD OVER NICKEL SOLDER AREA : GOLD OVER NICKEL	-
1	INSERT CASE	THERMOPLASTIC	BLACK COLOR	UL94V-0

CODE NO. (OLD)	DRAWN	DESIGNED	CHECKED	APPROVED	RELEASED
	PARK 25.01.21 I.K	HAN 25.01.21 M.Y	LIM 25.01.21 S.M	LIM 25.01.21 S.M	ENG 25.01.21 DEPT

SCALE 2:1	DRAWING NO. EDC3-633857-05	PART NO. AU1FS-24P(805)
UNITS mm	HRS HIROSE KOREA CO.,LTD.	CODE NO CL 6696-0001-6-805

Apr.1.2025 Copyright 2025 HIROSE ELECTRIC CO., LTD. All Rights Reserved.
In case of consideration for using Automotive equipment / device which demand high reliability, kindly contact our sales window correspondents.

DRAWING FOR PACKING

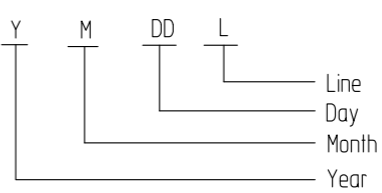


NOTE

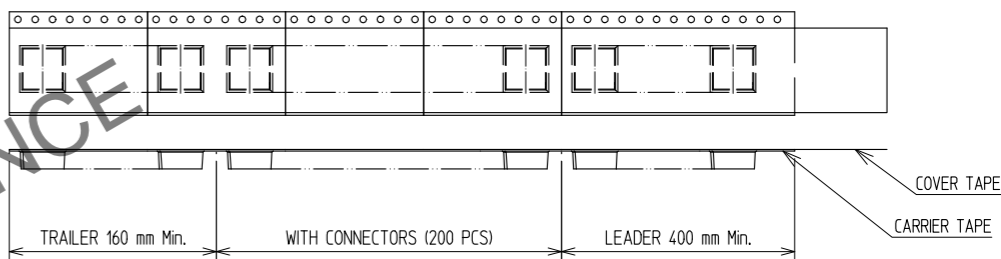
- ① Co-planarity : 0.10Max. Before & After Reflow 2times
- ② Lot marking : 5 digits (YMDDL)

[Chart-1] LOT MARKING

Year	Month	Day	Production Line	Ex. Mark	MARK
2020	0	Jan. 1	1st 01	Sample	S
2021	1	Feb. 2	2nd 02	MP Manual#1	1
2022	2	Mar. 3	3th 03	MP Manual#2	2
2023	3	Apr. 4	4th 04	MP Manual#3	3
2024	4	May 5	5th 05	MP Manual#4	4
2025	5	Jun. 6	6th 06
2026	6	Jul. 7	7th 07	MP Auto#1	A
2027	7	Aug. 8	8th 08	MP Auto#2	B
2028	8	Sep. 9	9th 09	MP Auto#3	C
2029	9	Oct. A	10th 10	MP Auto#4	D
		Nov. B	11th 11	MP Auto#5	E
		Dec. C



- 3. Carrier tape packing
Packing quantity : 200ea/reel
Cover tape peeling force : 30~100gf(0.3~1.0N) @ 300mm/min



4. Pin Assignment

A1	A2	A3	A4	A5	A6	A7	A8	A9	A10	A11	A12
GND	TX1+	TX1-	V _{bus}	CC1	D+	D-	SBU1	V _{bus}	RX2-	RX2+	GND
GND	RX1+	RX1-	V _{bus}	SBU2	D-	D+	CC2	V _{bus}	TX2-	TX2+	GND
B12	B11	B10	B9	B8	B7	B6	B5	B4	B3	B2	B1

- 5. Restriction of hazardous substances, restriction of the use of hazardous substances in EEE(RoHS)

⑥ Recommended Metal mask thickness : 0.12mm

11	REEL BOBBIN	PS	-	-
10	COVER TAPE	PS	-	-
9	EMBOSS TAPE	PS	THERMO-COMPRESSION SEALING	-
8	CAP	THERMOPLASTIC	BLACK COLOR	UL94V-0
NO.	DESCRIPTIONS	MATERIAL	FINISH	REMARKS
DRAWING NO. EDC3-633857-05		PART NO. AU1FS-24P(805)		
SCALE 2:1		CODE NO CL 6696-0001-6-805		
UNITS mm		HRS HIROSE KOREA CO.,LTD.		

X-ON Electronics

Largest Supplier of Electrical and Electronic Components

Click to view similar products for [USB Connectors](#) category:

Click to view products by [Hirose](#) manufacturer:

Other Similar products are found below :

[950 A-USB A-LP-SMT-C](#) [A-USB B-TOP-C](#) [17-200721](#) [217450-1](#) [KMBVX-TH-5S-B30](#) [KUSBX-AS2N-W](#) [KUSBX-SMT2AP1S-B30](#)
[KUSBX-SMT2AP1S-W30](#) [935](#) [30-498-6](#) [SK-60A-2](#) [30-489](#) [A-USB A-2P-C](#) [MIKROE-1451](#) [10135326-001LF](#) [USB3FTV7APEG](#) [4198](#) [17-](#)
[200011](#) [1040870124](#) [914-614A2025S10200](#) [MUSBR-AHD2-M41-SK](#) [GSB3116344HR](#) [GSB343K331HR](#) [USB3FTV2SAZNF459](#)
[USBF21GSCC](#) [U221-041N-1WVS62-F5D](#) [HYCW153-USBD05-500B](#) [HYCW219-USBD05-075B](#) [HYCW148-USBD05-117B](#) [HYCW149-](#)
[USBD05-740B](#) [HYCW204-USBD05-108B](#) [HYCW214-USBA04-113B](#) [HYCW213-USBA04-113B](#) [KMMX-BSMT35S-1-B30TR](#) [GT-](#)
[2A001F-CGNG1](#) [GT-USB-7010ES01](#) [GT-USB-7010i](#) [HC-ST-003-07-J](#) [918-418K2022Y40028](#) [920-462A2021Y10104](#) [AF 90° WJDG ZB](#)
[TYPE-C 6P LCH10.5](#) [MICRO 7.2ZB5.0](#) [AM 180°](#) [MINI 5PTP-GZ](#) [TYPE-C 16PLC-H10.0](#) [TYPE-C 6PLCH10.5 073](#) [MINI 5P 90°4J](#) [10.0](#)
[180°ZCZB-HJ](#)