

TUNING FORK CRYSTAL IN SMD 3.2x1.5MM CERAMIC SEAM SEAL PACKAGE.
PRODUCT FEATURES

- Small dimensions 3.2x1.5x0.8mm with 2 solder pads.
- Highly reliable vacuum seam sealed ceramic package.
- Tight tolerances available.
- RoHS compliant, LEAD-FREE and HALOGEN-FREE.

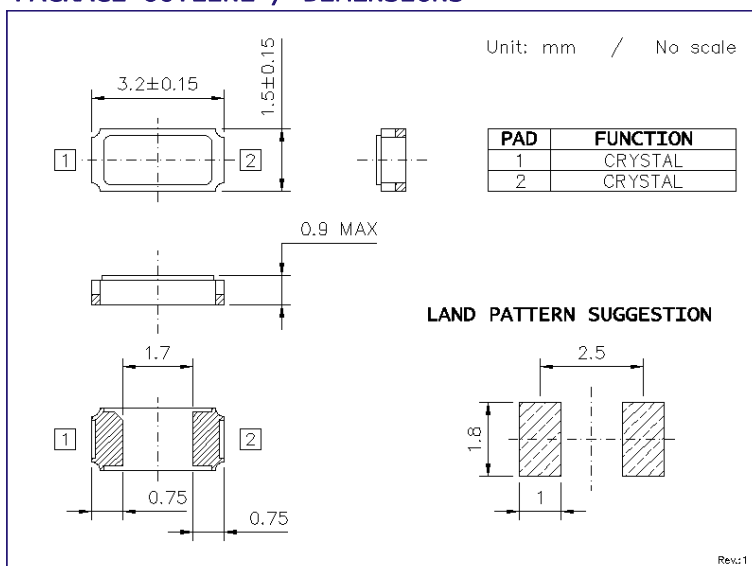
APPLICATIONS

- Mobil communication
- Handheld equipment

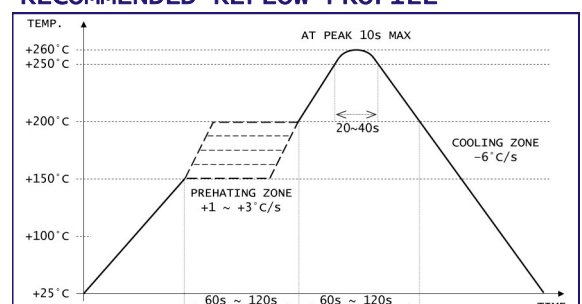
PRODUCT PHOTO (NOT IN SCALE)

PRODUCT SPECIFICATIONS

PARAMETER	3131M	CONDITIONS / REMARKS
Nominal frequency range	32.768kHz	
Crystal mode	Fundamental	
Frequency tolerance	±20ppm / ±30ppm / ±50ppm	Other options available.
Stability over temperature	-0.03±0.01ppm/Δ°C ²	Parabolic coefficient.
Operating temperature range	-40 to +85°C	Other options available.
Turning point temperature	25±5°C	
Equivalent series resistance	<70kΩ	
Shunt capacitance (TYP)	1.5pF	
Motional capacitance (TYP)	3.3fF	
Load capacitance	6pF / 9pF / 12.5pF	Please specify.
Drive level	0.2μW TYP / 1.0μW MAX	
Aging per year	±3ppm	At +25°C
Storage temperature range	-55 to +125°C	

PACKAGE OUTLINE / DIMENSIONS

PACKAGING INFORMATION

- Tape & Reel compliant to EIA-481.
- Embossed carrier width 12mm.
- Component pitch in carrier 4mm.
- Reel diameter 180mm.
- QTY per reel: 3,000pcs MAX.

RECOMMENDED REFLOW PROFILE


X-ON Electronics

Largest Supplier of Electrical and Electronic Components

Click to view similar products for [Crystals](#) category:

Click to view products by [HCI](#) manufacturer:

Other Similar products are found below :

[CX3225GB25000M0PPSZ1](#) [FL2000085](#) [99-BU](#) [H10S-12.000-18-EXT-TR](#) [AB-11.0592MHZ](#) [ABC2-6.000MHZ-D4Z-T](#) [ABLS-20.000MHZ-D2-T](#) [ABM3B-27.000MHZ-D4Y-T](#) [ABS071-32.768KHZ-6-T](#) [R38-32.768-12.5-5PPM-NPB](#) [21U15A-21.4MHZ](#) [RTX-781DF1-S-20.950](#) [LFXTAL066198Cutt](#) [9C-14.31818MBBK-T](#) [A-11.000MHZ-27](#) [ABL-27.000MHZ-B4Y-T](#) [ABM11-132-24.000MHZ-T3](#) [ABM3B1-25.000MHZ-D2Y-T](#) [SSPT7F-9PF20-R](#) [LFXTAL065253Cutt](#) [LFXTAL066431Cutt](#) [7A-24.576MBBK-T](#) [CX2520DB16000H0HPQCC](#) [6504-202-1501](#) [6526-202-1501](#) [ABM3B-24.000MHZ-R60-D1W-](#) [ABLS-12.000MHZ-B2Y-T](#) [SG636PCE-20.000MC](#) [3404](#) [CM315D32768EZFT](#) [C1E-19.200-12-1530-X-R](#) [ABM11-16.000MHZ-9-B1U-T](#) [FL5000014](#) [EUCA18-3.1872M](#) [FX0800015](#) [425F35E027M0000](#) [FP0800018](#) [MS3V-T1R-32.768kHz-7pF-20PPM-TA-QC-Au](#) [VXM7-1C1-16M000](#) [MS3V-T1R-32.768kHz-9pF-20PPM-TA-QC-Au](#) [17000](#) [GB1200038](#) [NTE661](#) [R38-32.768-12.5-EXT](#) [4133-VBO-168.62MHZ](#) [4133-VBO-171.750MHZ](#) [NX8045GB-12M-STD-CSF-4](#) [FC1610AN](#) [32.7680KA-A3](#) [FC5BSHFEM25.0-T1](#) [FC5AQCCMF10.0-T1](#)