

Customer Information Sheet

DRAWING No.: M7580/81/82/83-XX

SHEET 2 OF 2

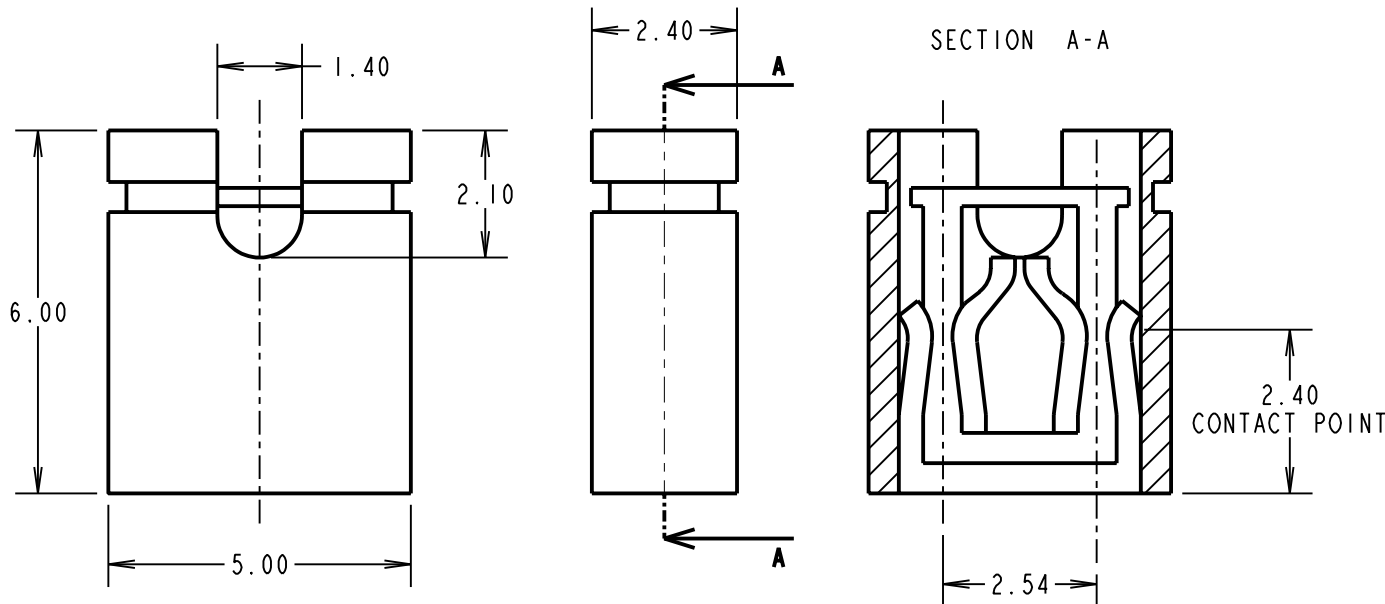
IF IN DOUBT - ASK

(C)

NOT TO SCALE

THIRD ANGLE PROJECTION

ALL DIMENSIONS IN mm



SPECIFICATION.

MATERIAL:

INSULATOR = 30% GLASS FILLED PBT UL94V-0
(SEE ORDER CODE FOR COLOUR)

CONTACT = PHOSPHOR BRONZE

FINISH:

05 = SELECTIVE GOLD OVER NICKEL

46 = 100% TIN

ELECTRICAL:

CURRENT RATING = 1A

INSULATION RESISTANCE = 5,000 MEGOHMS MIN

CONTACT RESISTANCE = 20 MILLIOHMS MAX

DIELECTRIC STRENGTH = 500V AC

MECHANICAL:

INSERTION FORCE = 13.7N MAX, 2.0N MIN

WITHDRAWAL FORCE = 7.4N MAX, 1.0N MIN

ENVIRONMENTAL:

OPERATING TEMPERATURE = -55°C TO +105°C

NOTES:

1. RECOMMENDED PIN SIZE = 0.64mm SQUARE.
2. ALL TOLERANCES ± 0.20 mm UNLESS OTHERWISE STATED.

ORDER CODE:
M75XX-XX

MOULDING COLOUR

80 = GREY	81 = RED
82 = BLACK	83 = BLUE

CONTACT FINISH

05 = GOLD
46 = 100% TIN

CP	7	23.12.09	10620
NAME	ISS.	DATE	C/NOTE
APPROVED: C.PENROSE			
CHECKED: R.ADDE			
DRAWN: A. G. LIOTTA			
CUSTOMER REF.:			
ASSEMBLY DRG:			

HARWIN

THIS DRAWING AND ANY INFORMATION OR DESCRIPTIVE MATTER SET OUT HEREON ARE CONFIDENTIAL AND COPYRIGHT PROPERTY OF THE HARWIN GROUP AND MUST NOT BE DISCLOSED, LOANED, COPIED OR USED FOR MANUFACTURING, TENDERING OR FOR ANY OTHER PURPOSE WITHOUT THEIR WRITTEN PERMISSION.

TOLERANCES

X	= ± 1 mm
X.X	= ± 0.25 mm
X.XX	= ± 0.10 mm
X.XXX	= ± 0.01 mm

ANGLES = $\pm 5^\circ$
UNLESS STATED

MATERIAL:
SEE ABOVE

FINISH:
SEE ABOVE

S/AREA:
mm²

TITLE:
SINGLE OPERATION
2.54mm PITCH OPEN TOP
JUMPER SOCKET

DRAWING NUMBER:
M7580/81/82/83-XX

SHT
2 OF 2

HARWIN USA TEL: 603 893 5376 FAX: 603 893 5396 mis@harwin.com	HARWIN Europe (UK) TEL: 023 9231 4545 FAX: 023 9231 4590 mis@harwin.co.uk	HARWIN Asia TEL: +65 6 779 4909 FAX: +65 6 779 3868 mis@harwin.com.sg
---	---	---

X-ON Electronics

Largest Supplier of Electrical and Electronic Components

Click to view similar products for [Headers & Wire Housings](#) category:

Click to view products by [Harwin](#) manufacturer:

Other Similar products are found below :

[892-18-020-10-001101](#) [58102-G61-06LF](#) [582553-1](#) [0009485154](#) [009176003701906](#) [0050291907](#) [LY20-4P-DT1-P1E-BR](#) [02.125.8002.8](#)
[609-3404](#) [61062-3](#) [622-0430](#) [622-3653LF](#) [63453-116](#) [636-1030](#) [636-1427](#) [636-3427](#) [636-4007](#) [641938-9](#) [641991-4](#) [644827-2](#) [65817-010LF](#)
[65817-015LF](#) [65863-015LF](#) [66207-023LF](#) [67095-007LF](#) [67601157](#) [68648-049](#) [70.362.1628.0](#) [70-4210](#) [70-4226B](#) [70-4853B](#) [707-5020](#) [707-](#)
[5028](#) [71.350.2428.0](#) [71918-208LF](#) [71961-016LF](#) [733-134](#) [733-162](#) [754199-000](#) [760-3052](#) [787-8014-00](#) [79531-3000](#) [FCN-360C032-B](#) [FCN-](#)
[367T-T012/H](#) [FCN-723D010/2](#) [80.063.4001.1](#) [800-90-001-10-001000](#) [800-90-010-10-002000](#) [801-43-002-10-013000](#) [801-43-006-10-002000](#)