

har-flex Board IDC 16p 600pcs per reel

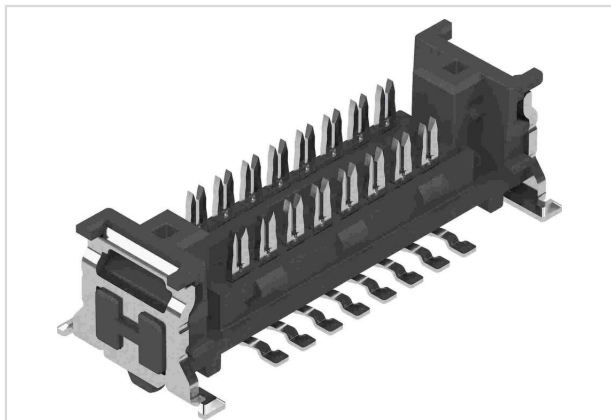


Image is for illustration purposes only. Please refer to product description.

Part number	15 39 016 0601 234
Specification	har-flex Board IDC 16p 600pcs per reel
HARTING eCatalogue	https://harting.com/15390160601234

Identification

Category	Connectors
Series	har-flex®
Identification	Board IDC
Element	PCB transition connectors

Version

Termination method	Reflow soldering termination (SMT)
Connection type	PCB to cable
Number of contacts	16
Pack contents	Tape & reel

Technical characteristics

Conductor cross-section [AWG]	AWG 30
Contact rows	2
Contact spacing (termination side)	1.27 mm
Contact spacing (mating side)	0.635 mm
Rated current	1.32 A
Rated current	@ 85 °C
Clearance distance	0.4 mm
Creepage distance	0.4 mm
Insulation resistance	> 2.11 x 10 ⁹ Ω
Contact resistance	<10 mΩ
Limiting temperature	-55 ... +125 °C



Pushing Performance
Since 1945

Technical characteristics

Test voltage $U_{r.m.s.}$	0.91 kV
Isolation group	IIIa ($175 \leq CTI < 400$)

Material properties

Material (insert)	Liquid crystal polymer (LCP)
Colour (insert)	Black
Material (contacts)	Copper alloy
Surface (contacts)	Sn over Ni Mating side Sn over Ni Termination side
Material flammability class acc. to UL 94	V-0
RoHS	compliant
ELV status	compliant
China RoHS	e
REACH Annex XVII substances	Not contained
REACH ANNEX XIV substances	Not contained
REACH SVHC substances	Not contained
California Proposition 65 substances	Not contained

Commercial data

Packaging size	600
Net weight	0.57 g
Country of origin	China
European customs tariff number	85366990
GTIN	5713140838185
eCl@ss	27460201 PCB connector (board connector)
UNSPSC 24.0	39121415

X-ON Electronics

Largest Supplier of Electrical and Electronic Components

Click to view similar products for [Board to Board & Mezzanine Connectors](#) category:

Click to view products by [HARTING](#) manufacturer:

Other Similar products are found below :

[589158040000018](#) [FCN-268F036-G/BD](#) [FCN-268M012-G/0D](#) [MIS-048-01-F-D-DP-K](#) [832-10-034-10-001000](#) [93696-330](#) [FCN-235D050-G/C](#) [210-93-314-41-105000](#) [55323-1519](#) [0716612340](#) [101A10019X](#) [75140-7012](#) [87471-650](#) [063209](#) [8-1616154-3](#) [IL-WX-10PB-HF-B-E1000E](#) [FCN-214J100-G/0](#) [P50-028-DDS-TG](#) [504248-1210](#) [91922-31141LF](#) [501493-2410](#) [504208-3410](#) [505006-0811](#) [202436-1600](#) [202477-0414](#) [71607-302ALF](#) [71660-7580](#) [AC01S050WA1R500](#) [IL-WX-20SB-VF-B-E1000E](#) [354949](#) [1104021](#) [MDF7-20P-2.54DSA\(96\)](#) [BK13C06-32DP/2-0.35V\(865\)](#) [ACC-140-0722-00](#) [BK13C06-40DS/2-0.35V\(865\)](#) [3511216BMSS0BNA1](#) [BB51-84AT-1-3HB](#) [BA41-80CT-0-NHB](#) [CBEC201-0679B004C1TF](#) [HC-PBB12NC\(3.0\)-80DS-0.5V-03](#) [HC-ZHD-2*15PWT-05](#) [HC-PBB12NB\(3.5\)-60DP-0.5V-03](#) [HC-PBB12NB\(3.0\)-40DS-0.5V-03](#) [HC-PBB12NB\(5.0\)-50DP-0.5V-03](#) [HC-PBB12NC\(3.0\)-50DS-0.5V-03](#) [HC-PBB12NC-30DS-0.5V-03](#) [HC-PBB12NC\(3.0\)-30DS-0.5V-03](#) [HC-PBB12NB\(3.0\)-80DP-0.5V-03](#) [HC-GHD-2*15PLT-05](#) [HC-PBB23L-60DP-0.5V8-G2-01](#)