

## har-flex Board IDC 12p cable guide

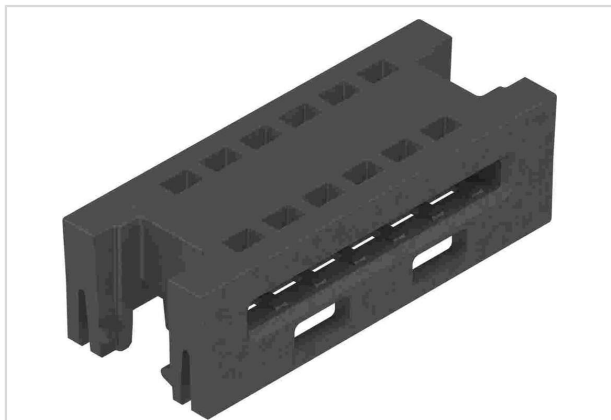


Image is for illustration purposes only. Please refer to product description.

Part number	15 39 012 0602 000
Specification	har-flex Board IDC 12p cable guide
HARTING eCatalogue	<a href="https://harting.com/15390120602000">https://harting.com/15390120602000</a>

### Identification

Category	Accessories
Series	har-flex®
Identification	Board IDC
Type of accessory	Cable guide

### Version

Number of contacts	12
--------------------	----

### Technical characteristics

Contact spacing (termination side)	0.635 mm
Limiting temperature	-55 ... +125 °C

### Material properties

Material (accessories)	Liquid crystal polymer (LCP)
Colour (accessories)	Black
Material flammability class acc. to UL 94	V-0
RoHS	compliant
ELV status	compliant
China RoHS	e
REACH Annex XVII substances	Not contained
REACH ANNEX XIV substances	Not contained
REACH SVHC substances	Not contained



**Pushing Performance**  
Since 1945

## Material properties

California Proposition 65 substances	Not contained
--------------------------------------	---------------

---

## Commercial data

Packaging size	600
Net weight	0.11 g
Country of origin	China
European customs tariff number	85366990
GTIN	5713140570146
eCl@ss	27440292 Connector component (accessories)
UNSPSC 24.0	39121400

## X-ON Electronics

Largest Supplier of Electrical and Electronic Components

*Click to view similar products for [Board to Board & Mezzanine Connectors](#) category:*

*Click to view products by [HARTING](#) manufacturer:*

Other Similar products are found below :

[589158040000018](#) [FCN-268F036-G/BD](#) [FCN-268M012-G/0D](#) [MIS-048-01-F-D-DP-K](#) [832-10-034-10-001000](#) [93696-330](#) [FCN-235D050-G/C](#) [210-93-314-41-105000](#) [55323-1519](#) [0716612340](#) [101A10019X](#) [75140-7012](#) [87471-650](#) [063209](#) [8-1616154-3](#) [9001-36321C00A](#) [IL-WX-10PB-HF-B-E1000E](#) [FCN-214J100-G/0](#) [P50-028-DDS-TG](#) [504248-1210](#) [91922-31141LF](#) [501493-2410](#) [504208-3410](#) [505006-0811](#) [202436-1600](#) [202477-0414](#) [71607-302ALF](#) [71660-7580](#) [AC01S050WA1R500](#) [IL-WX-20SB-VF-B-E1000E](#) [354949](#) [1104021](#) [BK13C06-32DP/2-0.35V\(865\)](#) [ACC-140-0722-00](#) [BK13C06-40DS/2-0.35V\(865\)](#) [3511216BMSS0BNA1](#) [BB51-84AT-1-3HB](#) [BA41-40CT-1-NHB](#) [BA41-80CT-0-NHB](#) [CBEC201-0679B004C1TF](#) [HC-PBB12NC\(3.0\)-80DS-0.5V-03](#) [HC-ZHD-2\\*15PWT-05](#) [HC-PBB12NB\(3.5\)-60DP-0.5V-03](#) [HC-PBB12NB\(3.0\)-40DS-0.5V-03](#) [HC-PBB12NB\(5.0\)-50DP-0.5V-03](#) [HC-PBB12NC\(3.0\)-30DP-0.5V-03](#) [HC-PBB12NC\(3.0\)-50DS-0.5V-03](#) [HC-PBB12NC-30DS-0.5V-03](#) [HC-PBB12NC\(3.0\)-30DS-0.5V-03](#) [HC-PBB12NB\(3.0\)-80DP-0.5V-03](#)