

HPP V4 USB 2.0 PCB, 2x USB B-B angled

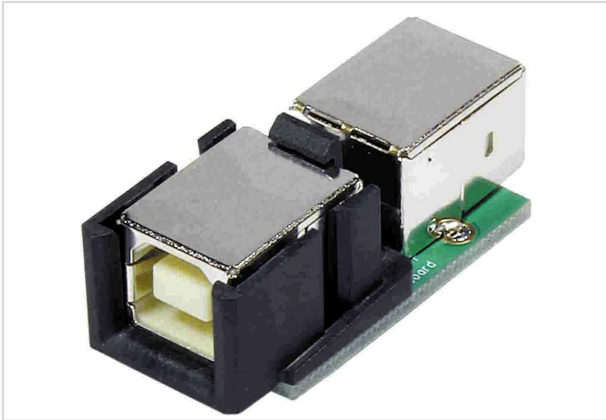


Image is for illustration purposes only. Please refer to product description.

Part number	09 45 541 1906
Specification	HPP V4 USB 2.0 PCB, 2x USB B-B angled
HARTING eCatalogue	https://b2b.harting.com/09455411906

Identification

Category	Connectors
Series	HARTING PushPull (V4)
Identification	USB
Element	Adapter PCB
Specification	USB 2.0 type B to USB 2.0 type B Angled
Adapter for	Jack to jack

Version

Shielding	Fully shielded, 360° shielding contact
Number of contacts	4

Technical characteristics

Limiting temperature	-40 ... +70 °C
Mating cycles	≥750

Material properties

RoHS	compliant
ELV status	compliant
China RoHS	e
REACH Annex XVII substances	Not contained
REACH ANNEX XIV substances	Not contained
REACH SVHC substances	Not contained

Material properties

California Proposition 65 substances	Yes
California Proposition 65 substances	Antimony trioxide
California Proposition 65 substances	Lead
California Proposition 65 substances	Naphthalene

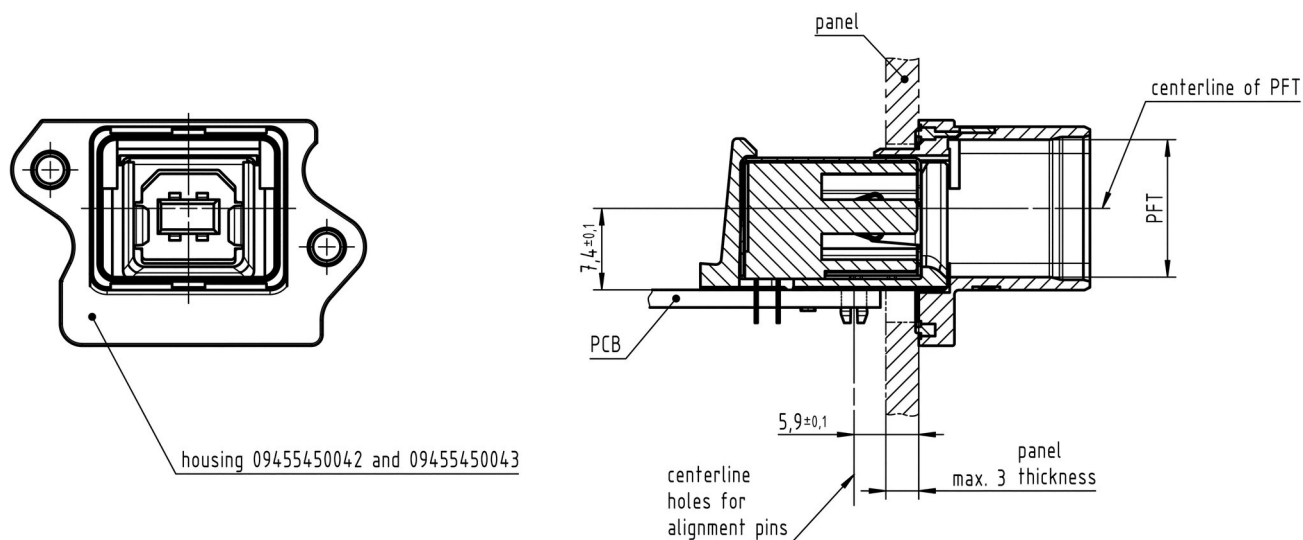
Specifications and approvals

Specifications	IEC 61076-3-106 Variant 4 (V4)
Approvals	DNV GL

Commercial data

Packaging size	1
Net weight	13.2 g
Country of origin	Germany
European customs tariff number	85444290
GTIN	5713140061033
ETIM	EC000438
eCl@ss	27440205 Contact insert for industrial connectors

Mounting instruction



X-ON Electronics

Largest Supplier of Electrical and Electronic Components

Click to view similar products for [USB Connectors](#) category:

Click to view products by [HARTING](#) manufacturer:

Other Similar products are found below :

[950](#) [A-USB A-LP-SMT-C](#) [A-USB B-TOP-C](#) [MUSBD11135](#) [17-200721](#) [217450-1](#) [KMBVX-TH-5S-B30](#) [KUSBX-AS2N-W](#) [KUSBX-SMT2AP1S-W30](#) [935](#) [957](#) [30-498-6](#) [SK-60A-2](#) [1734082-1](#) [30-470](#) [30-489](#) [30-541](#) [MIKROE-1451](#) [USBFTVSCCG](#) [1-1734084-2](#)
[10135326-001LF](#) [USB3FTV7APEG](#) [4198](#) [1310-1023-02](#) [690-024-633-031](#) [UB-20PMFP-LC7001](#) [17-200011](#) [UB-20AFMM-LL7A01](#)
[1040870124](#) [CAP-WCCMLPB1](#) [2274475-3](#) [UB-20BMFA-SL8001](#) [UB-20BFM-SA7A02](#) [UB-20BFM-SA7A05](#) [914-614A2025S10200](#)
[MUSBR-AHD2-M41-SK](#) [ZX40-B-5S-1500-STDA\(30\)](#) [GSB3116344HR](#) [USB3FTV2SAZNF459](#) [USBF21GSCC](#) [U221-041N-1WVS62-F5D](#)
[HYCW153-USBD05-500B](#) [HYCW219-USBD05-075B](#) [HYCW148-USBD05-117B](#) [HYCW149-USBD05-740B](#) [HYCW204-USBD05-108B](#)
[HYCW214-USBA04-113B](#) [HYCW213-USBA04-113B](#) [UB-20AMFM-SL7A01](#) [KMMX-BSMT35S-1-B30TR](#)