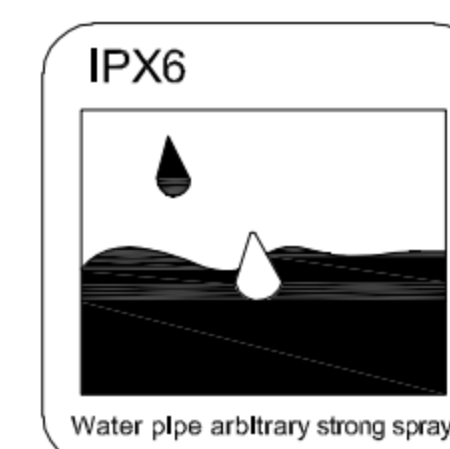
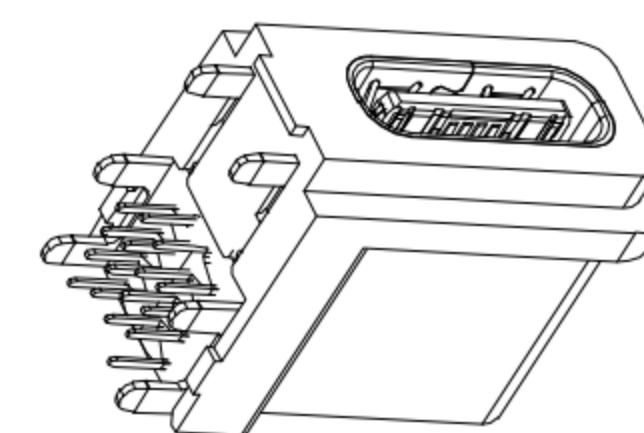
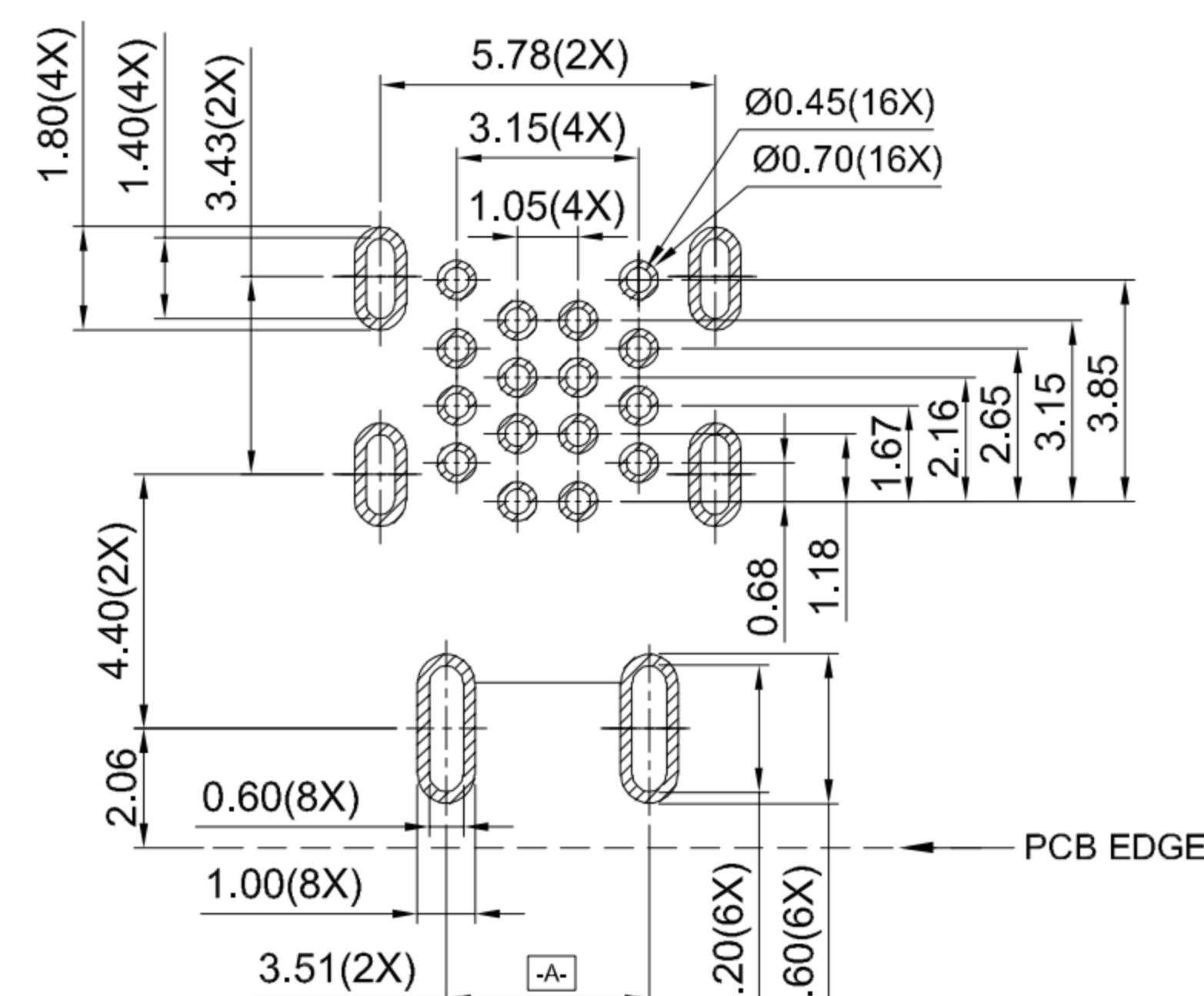
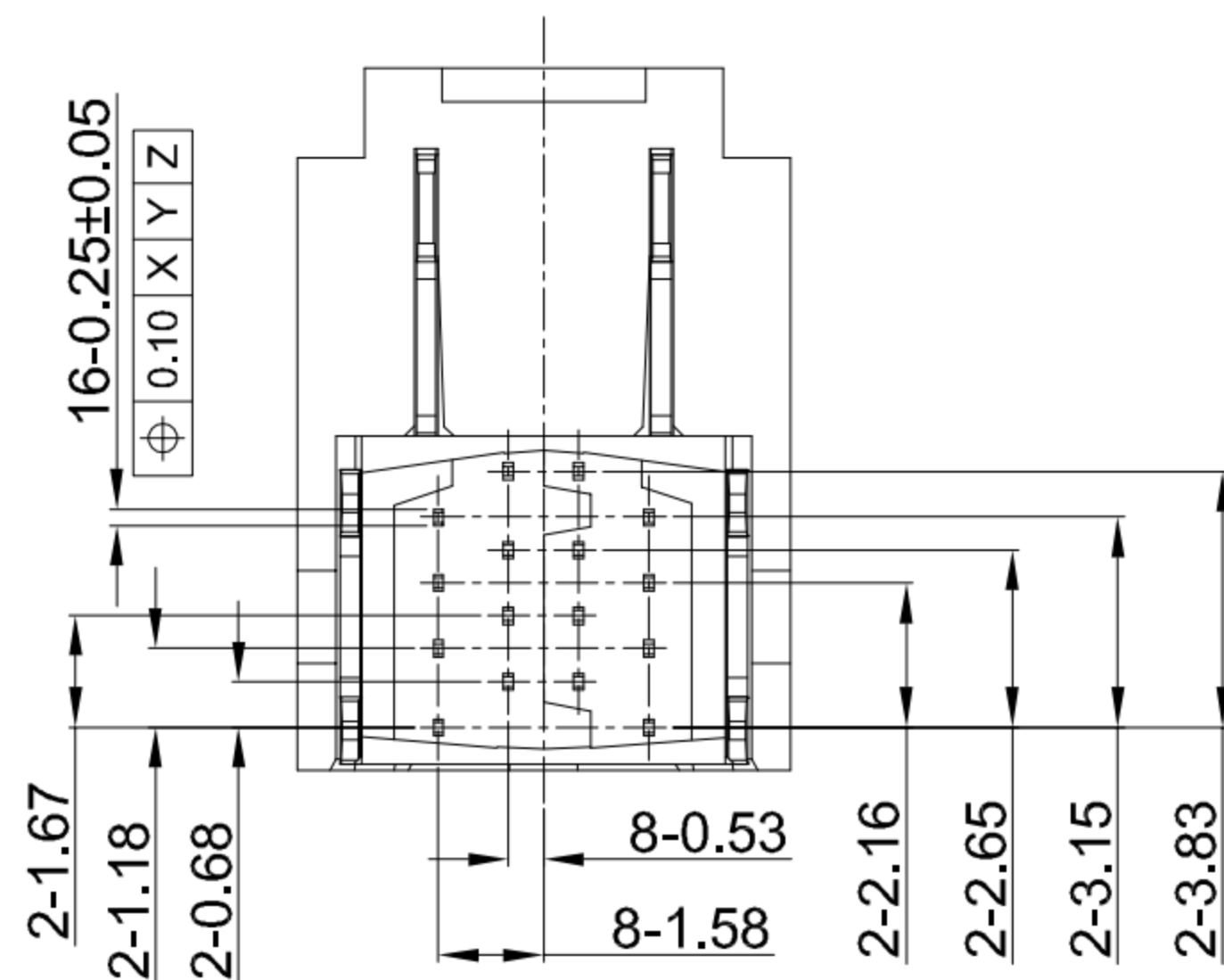


G-Switch USB-C Specification:

1. Current rated: 5A on vbus/1.25A on vconn/0.25A on other
2. Voltage rating: 24V AC
3. Withstanding voltage: 100V AC/minute
4. Contact resistance: 40mΩ Max
5. Insulation resistance: 100MΩ Min
6. Operating temperature: -40°C ~ +85°C
7. Mating force: 5N~20N
8. Unmating force: 8N~20N
9. Durability cycle: 10,000 cycles
9. Waterproof grade: IP-X6



A1	A2	A3	A4	A5	A6	A7	A8	A9	A10	A11	A12
GND			VBUS	CC1	D+	D-	SBU1	VBUS			GND
First			First	Second	Second	Second	Second	First			First
B12	B11	B10	B9	B8	B7	B6	B5	B4	B3	B2	B1
GND			VBUS	SBU2	D-	D+	CC2	VBUS			GND
First			First	Second	Second	Second	Second	First			First

1	SHEATH	HIGH TEMPERATURE PLASTIC	BLACK UL 94 V-0
2	OUT-SHELL	STAINLESS STEEL	SUS304 Ni PLATED
3	INNER SHELL	STAINLESS STEEL	SUS304 Ni PLATED
4	MID PLATE	STAINLESS STEEL	SUS301 Ni PLATED
5	HOUSING	HIGH TEMPERATURE PLASTIC	BLACK UL 94 V-0
6	TERMINALS	COPPER ALLOY(C7025)	Au PLATING ON CONTACT AREA
NO.	PARTS	MATERIAL	REMARKS

RECOMMENDED PCB LAYOUT
TOLERANCE: ±0.05

Pb Process Capable

RoHS Compliant
EU RoHS Standards

HALOGEN COMPLIANT
Compliant Halogen Free

SCALE: 1:1	UNIT: mm	Title: Horizontal Type-c 16P Female DIP Flag CH=7.0 L=10.5mm	
SIZE: A4		Molde Code: GT-USB-7080A	
Unless otherwise General Tolerance:		DRAWN	CHECKED
X.x	±0.30	APPROVED	DATE
X.xx	±0.20	Xia	Chen
X.xxx	±0.10	Chen	2023.02.01
X°	±5°		

品赞科技®

b-Switch

www.dg-switch.com

REV: A0	SHEET: 1/1
---------	------------

X-ON Electronics

Largest Supplier of Electrical and Electronic Components

Click to view similar products for [USB Connectors](#) category:

Click to view products by [G-Switch](#) manufacturer:

Other Similar products are found below :

[950](#) [MUSBD11135](#) [17-200721](#) [217450-1](#) [KMBVX-TH-5S-B30](#) [KUSBX-AS2N-W](#) [KUSBX-SMT2AP1S-W30](#) [935](#) [957](#) [30-498-6](#) [SK-60A-2](#)
[1734082-1](#) [30-470](#) [30-489](#) [30-541](#) [A-USB A-2P-C](#) [MIKROE-1451](#) [USBFTVSCCG](#) [1-1734084-2](#) [10135326-001LF](#) [4198](#) [USB-A-D-VT](#)
[USB-A-S-RA-TSMT](#) [1310-1023-02](#) [690-024-633-031](#) [UB-20PMFP-LC7001](#) [17-200011](#) [UB-20AFMM-LL7A01](#) [1040870124](#) [CAP-](#)
[WCCMLPB1](#) [CAP-WCCMLPC1](#) [2274475-3](#) [UB-20BMFA-SL8001](#) [914-614A2025S10200](#) [USB3FTV7SAGF059](#) [ZX40-B-5S-1500-](#)
[STDA\(30\)](#) [GSB3116344HR](#) [USB3FTV2SAZNF459](#) [USB3FTV7SAZNF459](#) [U221-041N-1WVS62-F5D](#) [HYCW153-USBD05-500B](#)
[HYCW219-USBD05-075B](#) [HYCW148-USBD05-117B](#) [HYCW149-USBD05-740B](#) [HYCW204-USBD05-108B](#) [HYCW214-USBA04-113B](#)
[HYCW213-USBA04-113B](#) [UB-20AMFM-SL7A01](#) [KMMX-BSMT35S-1-B30TR](#) [2345986-1](#)