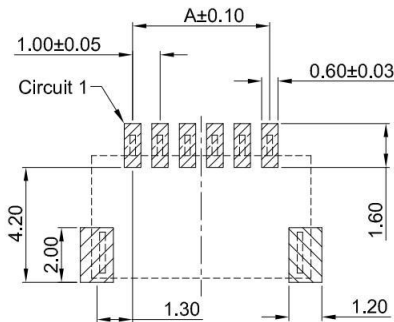
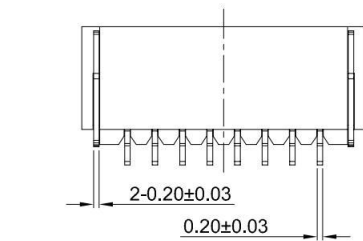
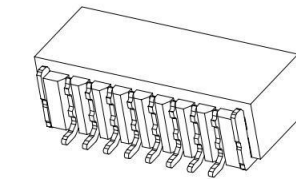
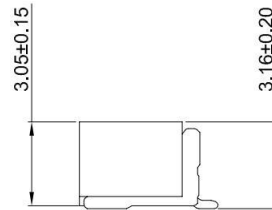
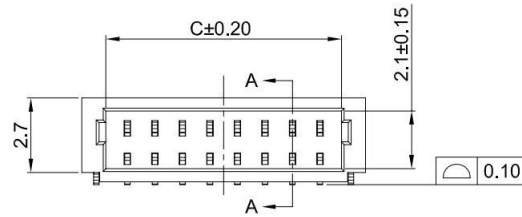
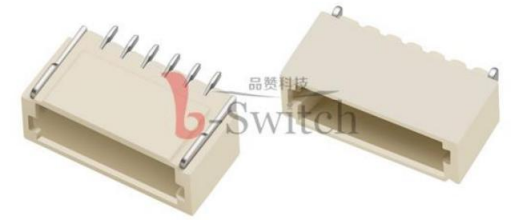


SECTION A-A



RECOMMENDED PCB LAYOUT  
TOLERANCE:±0.05

- G-Switch Specification:**
- 1.Current rated: 1.0A AC/DC
  - 2.Voltage rating: 50V AC/DC
  - 3.Withstanding voltage: 500V AC
  - 4.Contact resistance: 20mΩ max.
  - 5.Insulation resistance: 100MΩ min
  - 6.Durability cycle: 50Cycles
  - 7.Removal force: 0.50kgf/Pin min
  - 8.Operating temperature range: -25°C ~ +85°C



GT-A1002 W R S -1 XX X XX 01

- G-Switch
- Series No
- Connector  
W-Wafer
- Angle  
R-90°
- Termipoint  
S-SMT
- Terminal Plating  
BT-Bright Tin  
11-All G/F
- Housing Colour  
S-Nature
- Pin Q' PY  
02-20
- Row NO  
1-Single row

**Ordering Information:**

Circuit	Dimensions(mm)			Circuit	Dimensions(mm)		
	A	B	C		A	B	C
02	---	4.20	2.50	12	11.00	14.20	12.50
03	2.00	5.20	3.50	13	12.00	15.20	13.50
04	3.00	6.20	4.50	14	13.00	16.20	14.50
05	4.00	7.20	5.50	15	14.00	17.20	15.50
06	5.00	8.20	6.50	16	15.00	18.20	16.50
07	6.00	9.20	7.50	17	16.00	19.20	17.50
08	7.00	10.20	8.50	18	17.00	20.20	18.50
09	8.00	11.20	9.50	19	18.00	21.20	19.50
10	9.00	12.20	10.50	20	19.00	22.20	20.50
11	10.00	13.20	11.50	---	---	---	---

NO.	PART NAME	MATERIAL	REMARK
3	SOLDER TABS	BRASS	BRIGHT Tin
2	CONTACT	BRASS	BRIGHT Tin / All G/F
1	HOUSING	LCP,94V-0	NATURE



SCALE: 1:1 UNIT: mm  
SIZE: A4

Unless otherwise  
General Tolerance:  
X ±0.40  
X.x ±0.30  
X.xx ±0.20  
X° ±5°  
X.x° ±3°

Title: Wafer 1.00mm Pitch 90° SH SMT  
Type Connector

Molde Code: GT-A1002WRS-1XXXXX01

DRAWN	CHECKED	APPROVED	DATE
Hu	Hu	Chen	2021.10.20



REV: A0 SHEET: 1/1

## X-ON Electronics

Largest Supplier of Electrical and Electronic Components

*Click to view similar products for [Headers & Wire Housings](#) category:*

*Click to view products by [G-Switch](#) manufacturer:*

Other Similar products are found below :

[892-18-020-10-001101](#) [0010894062](#) [0010977306](#) [0015477636](#) [0015917161](#) [0022104068](#) [0022121042](#) [0022155065](#) [0022281023](#) [57102-F02-18ULF](#) [PCN6B-10P-2.5DS](#) [58102-G61-06LF](#) [582553-1](#) [0015911208](#) [01.001.5753.1](#) [0022285048](#) [0050291907](#) [02.125.8002.8](#)  
[CSU011177004](#) [622-0430](#) [63453-116](#) [636-1030](#) [636-1427](#) [636-3427](#) [636-4007](#) [641938-9](#) [65495-038](#) [65692-001LF](#) [65781-018](#) [65781-047](#)  
[65817-010LF](#) [67095-007LF](#) [67601157](#) [68631-112](#) [68645-018](#) [699319-000](#) [70.362.1628.0](#) [70-4210](#) [70-4226B](#) [70-4853B](#) [707-5028](#)  
[71.350.2428.0](#) [733-134](#) [733-162](#) [760-3052](#) [80.063.4001.1](#) [800-90-001-10-001000](#) [801-43-002-10-013000](#) [801-43-006-10-002000](#)  
[803-43-024-10-001000](#)