

DASH NO	SHELL SIZE CODE - REF	A THREAD ISO METRIC	B DIA MAX	C DIA MIN	D DIA MAX	E + .008 - .000
9	A	M12 X 1 - 6H	.75	.250	.533	.044
11	B	M15 X 1 - 6H	.85	.375	.605	.044
13	C	M18 X 1 - 6H	1.00	.500	.774	.044
15	D	M22 X 1 - 6H	1.15	.625	.838	.044
17	E	M25 X 1 - 6H	1.25	.750	.963	.044
19	F	M28 X 1 - 6H	1.40	.812	1.042	.044
21	G	M31 X 1 - 6H	1.55	.937	1.217	.069
23	H	M34 X 1 - 6H	1.65	1.062	1.355	.069
25	J	M37 X 1 - 6H	1.85	1.188	1.443	.069

SYM	FINISH DESCRIPTION	SYM.	DESCRIPTION	DATE	APPROVED
B	CADMIUM PLATE/OLIVE DRAB	A	RELEASED	05/25/90	T.L.
C	BLACK ANODIZE	B	REVISED PER DCN 16273	06/07/00	T.L.
M	ELECTROLESS NICKEL	C	REVISED PER DCN 21859	01/15/04	T.L.
NF	CAD/O. D. OVER ELECTROLESS NICKEL (1000 HOUR SALT SPRAY)	D	REVISED PER DCN 25640	04/22/06	T.L.

PART NUMBER DEVELOPMENT

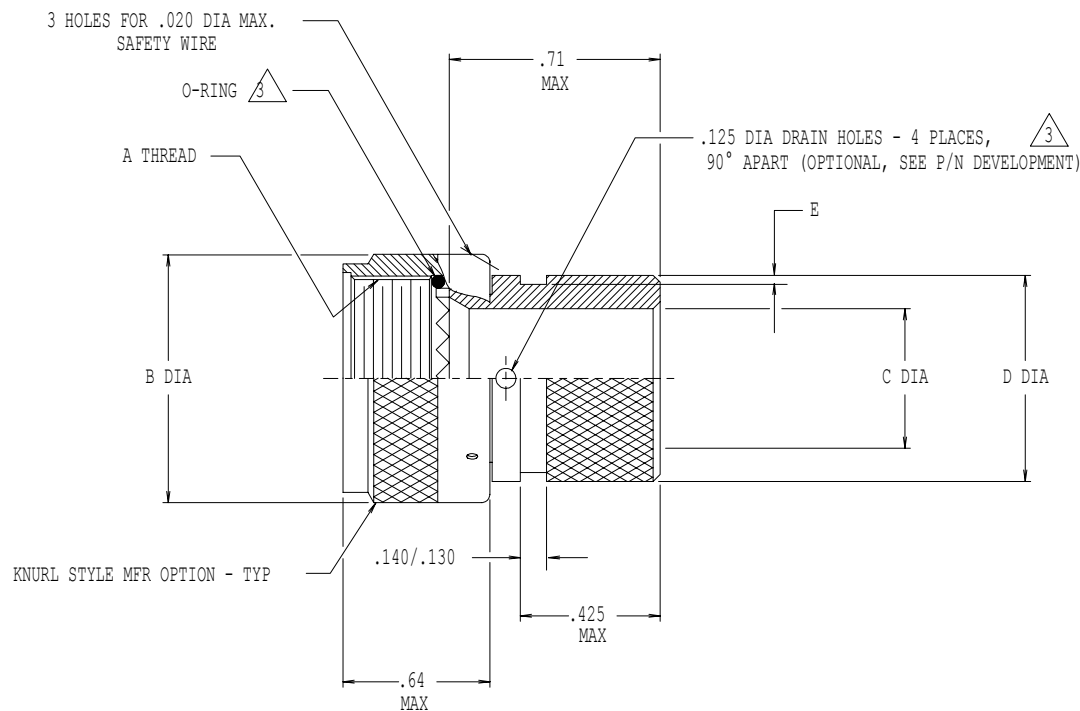
EXAMPLE: GS85049/69 - 11 NF D

BASIC PART NO _____

SHELL SIZE, TABLE I _____

FINISH SYM, TABLE II _____

D = DRAIN HOLES
OMIT FOR NONE



NOTES:

- ASSEMBLY IDENTIFIED WITH MANUFACTURER'S NAME AND P/N, SPACE PERMITTING.
- GLENAIR 600 SERIES BACKSHELL ASSEMBLY TOOLS ARE RECOMMENDED FOR ASSEMBLY AND INSULATION.
- ADAPTER WITH DRAIN HOLES NOT SUPPLIED WITH O-RING.
- MATERIAL/FINISH:
ADAPTER, COUPLING NUT - AL ALLOY/SEE TABLE II
O-RING - SILICONE/N.A.

UNLESS OTHERWISE SPECIFIED DIMENSIONS ARE IN INCHES TOLERANCES: FRACTIONS ± 1/16 DECIMALS .XX ± .03 .XXX ± .015 ANGLES ± 2°	DRAWN	T. LE	05/24/90	GLENAIR, INC. CAD 1990 1211 AIR WAY - GLENDALE - CALIFORNIA 91201
	CHECK	P. OAKES	05/24/90	
	ENGR	G. BURGE	05/24/90	
	APPROVED <i>P. Oakes</i>			
DO NOT SCALE THIS DRAWING				ADAPTER, SHRINK BOOT, FOR MIL-DTL-38999, SERIES III & IV CONNECTORS
B/F 90-2689		P/C 31	RELEASE DATE 05/25/90	CODE IDENT. NO. 06324
NON REPARABLE COMMERCIAL ITEM		SCALE N/A	WEIGHT N/A	SIZE C
SHEET 1 OF 1			REV. D	GS85049/69

X-ON Electronics

Largest Supplier of Electrical and Electronic Components

Click to view similar products for [Heat Shrink Cable Boots & End Caps](#) category:

Click to view products by [Glenair](#) manufacturer:

Other Similar products are found below :

[577159N001](#) [645494-000](#) [CX4132-000](#) [687025-000](#) [718446-000](#) [F27131-000](#) [F85868-000](#) [770-005S105W1](#) [770-013210W1](#) [770-013311](#)
[770-013312](#) [806542N001](#) [808059-000](#) [808362-000](#) [808618-000](#) [809125-000](#) [809130-000](#) [809218-000](#) [812014-000](#) [812047-000](#)
[813767N002](#) [814741-000](#) [819117N001](#) [823026-000](#) [823070-000](#) [825002-000](#) [841189N001](#) [861471-000](#) [879515-000](#) [950764-000](#) [957073-](#)
[000](#) [982033-2](#) [A77813-000](#) [D96192-000](#) [163549-000](#) [MTPSRBCL-C](#) [1954015-1](#) [200W531-3-0](#) [202A163-4-0-CS5067](#) [202A343-3-00-0](#)
[202B221-13-0](#) [202B231-13-0](#) [202B563-25-07-0](#) [202C241-13-0](#) [202D121-4-01/86-0](#) [202D211-3-22/42-0](#) [202D221-4-0-CS8970](#) [202D221-4-](#)
[22/180-0](#) [202D263-25-08-0](#) [202E334-51-0-CS5324](#)