

QPL QUALIFIED

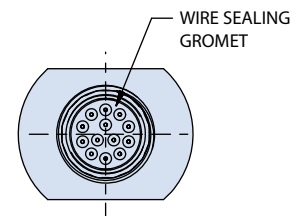
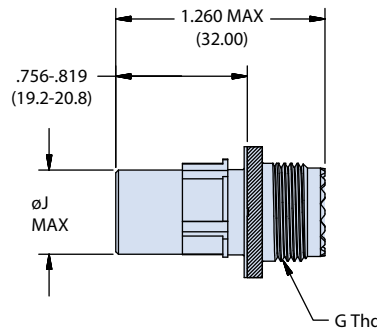
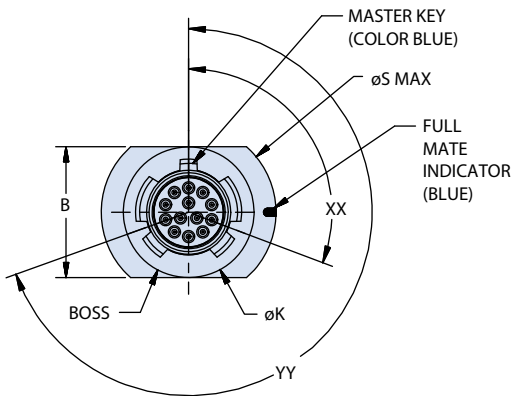
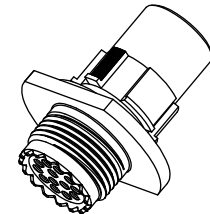
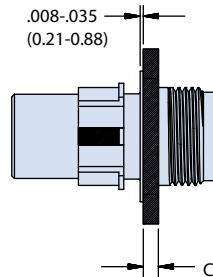
MIL-DTL-38999 Series IV, Breech Coupling

38999/49 in-line receptacle with rear release crimp contacts



SERIES IV ENVIRONMENTAL

QPL Part Number Development								
Sample Part Number			D38999/49	W	J	35V	P	N
MIL-DTL-38999	38999/49 = In-line receptacle							
Class	F = Environmental, aluminum, electroless nickel, conductive, -65°C to +200°C W = Environmental, aluminum, cadmium olive drab, conductive, -65°C to +175°C G = Environmental, aluminum, electroless nickel, conductive, -65°C to +200°C (space-grade)							
Shell Size	B, C, D, E, F, G, H, J							
Insert Arrangement	Per MIL-STD-1560; See reference information section for details							
Contact Style	P = Pin Insert S = Socket Insert	A = Pin Gender, Less Contacts B = Socket Gender, Less Contacts						
Polarization	N (Normal), A, B, C, D, K, L, M, R ; see polarization positions table							



Polarization Position									
	N	A	B	C	D	K	L	M	R
XX	110°	100°	90°	80°	70°	120°	120°	120°	120°
YY	250°	260°	270°	280°	290°	255°	265°	275°	285°

COTS EQUIVALENT MIL-DTL-38999 Series IV, Breech Coupling



234-105-49 in-line receptacle with rear release crimp contacts

SERIES IV ENVIRONMENTAL

COTS Part Number Development						
Sample Part Number	234-105-49	NF	11	-35	P	N
Series / Basic Part No.	234-105-49 = Environmental, in-line receptacle					
Material/Finish	ME = Aluminum, electroless nickel, conductive, -65°C to +200°C NF = Aluminum, cadmium olive drab, conductive, -65°C to +175°C MA† = Aluminum, electroless nickel, conductive, -65°C to +200°C (space-grade)					
Shell Size	11, 13, 15, 17, 19, 21, 23, 25					
Insert Arrangement	Per MIL-STD-1560; See reference information section for details					
Contact Style	P = Pin Insert A = Pin Gender, Less Contacts S = Socket Insert B = Socket Gender, Less Contacts					
Polarization	N (Normal), A, B, C, D, K, L, M, R ; see polarization position position table					

† Connectors must be ordered with "MA" finish and modification code "-186T" to conform to the thermal vacuum outgassing requirements of Class G. Additional material/finish options are available, consult factory for ordering information.

Dimensions							
Shell Size	Shell Size Code	B (Flat)	C	G Thread 1.0-6g 0.100R	ØJ	ØK	ØS Max
11	B	.793 (20.15)	.102 (2.6)	M15	.509 (12.93)	.793 (20.15)	1.054 (26.78)
		.778 (19.76)	.083 (2.1)			.778 (19.76)	
13	C	.919 (23.35)	.102 (2.6)	M18	.634 (16.10)	.919 (23.35)	1.226 (31.15)
		.904 (22.96)	.083 (2.1)			.904 (22.96)	
15	D	1.044 (26.52)	.102 (2.6)	M22	.759 (19.28)	1.044 (26.52)	1.351 (34.32)
		1.029 (26.13)	.083 (2.1)			1.029 (26.13)	
17	E	1.170 (29.72)	.102 (2.6)	M25	.885 (22.48)	1.170 (29.72)	1.476 (37.50)
		1.155 (29.33)	.083 (2.1)			1.155 (29.33)	
19	F	1.294 (32.87)	.102 (2.6)	M28	1.009 (25.63)	1.294 (32.87)	1.586 (40.29)
		1.279 (32.48)	.083 (2.1)			1.279 (32.48)	
21	G	1.419 (36.05)	.134 (3.4)	M31	1.134 (28.80)	1.419 (36.05)	1.711 (43.46)
		1.404 (35.66)	.114 (2.9)			1.404 (35.66)	
23	H	1.544 (39.22)	.134 (3.4)	M34	1.259 (31.98)	1.544 (39.22)	1.836 (46.64)
		1.529 (38.83)	.114 (2.9)			1.529 (38.83)	
25	J	1.669 (42.40)	.134 (3.4)	M37	1.384 (35.15)	1.669 (42.40)	1.964 (49.89)
		1.654 (42.01)	.114 (2.9)			1.654 (42.01)	

Additional Material/Finish Options	
Finish Code	Description
G2	Aluminum, anodize, hardcoat
ZR	Aluminum, zinc nickel, black (tri-valent cr)
MT	Aluminum, nickel PTFE
ZL‡	Stainless steel, electro-deposited nickel
ZI‡	Stainless steel, passivated

‡ Available in receptacle only, not firewall rated.

X-ON Electronics

Largest Supplier of Electrical and Electronic Components

Click to view similar products for [Circular MIL Spec Connector](#) category:

Click to view products by [Glenair](#) manufacturer:

Other Similar products are found below :

[0025-262-542](#) [0025-264-3014](#) [58-570121-04S](#) [0134-202-1200](#) [0134-207-1206](#) [0134-207-1800](#) [0134-207-2207](#) [0134-213-0806](#) [0134-213-1007](#) [0134-213-1009](#) [0134-213-1208](#) [0134-213-1800](#) [0134-213-2209](#) [0025-258-000](#) [015-9516-002](#) [60-042722-19P](#) [0114-201-1278](#) [602GB06EG24-61SN](#) [0134-201-1207](#) [0134-201-1806](#) [0134-201-2006](#) [0134-201-2007](#) [0134-201-2010](#) [0134-202-1400](#) [0134-207-0809](#) [0134-207-1208](#) [0134-207-2009](#) [0134-213-1006](#) [6104-207-2302](#) [6104-208-1902](#) [6131-202-19149P](#) [6131-204-21149P](#) [6131-207-13149P](#) [6131-208-13149P](#) [6131-209-17149P](#) [6131-210-11149P](#) [6131-211-19149P](#) [6131-216-19149P](#) [6131-220-25149P](#) [6131-259-11149P](#) [6131-259-21149P](#) [6131-259-23149P](#) [6131-263-19149P](#) [6131-265-17149P](#) [6131-265-19149P](#) [CS3102A-20-15P](#) [CS3102A-20-15S](#) [CS3102C18-4P-472](#) [CS3106A-20-29P](#) [CS3106A-20-74P](#)