

Glenair CB Series “PogoPin” Connectors

The Compact Bayonet Connector with Spring-Loaded Contacts - VG95351 & VG96934 Qualified!

United States ■ United Kingdom ■ Germany ■ France ■ Nordic ■ Italy ■ Spain ■ Japan

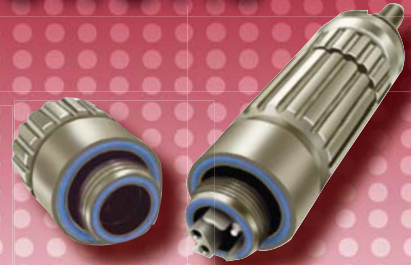
Glenair's World of *Tactical* Interconnect Solutions



Series 804
"Mighty Mouse"
Push-Pull Connectors



Series ITS
Reverse Bayonet
Connectors



GFOCA Hermaphroditic
Fiber Optic
Connection System



Series 78
"BlackOp"
Protective Covers



AS85049
Connector
Backshells



Expanded Beam
Fiber Optic
Interconnect Systems

Ruggedized Connectors and Cables for Soldiers, Military Vehicles and Other Tactical Applications



1211 Air Way
Glendale, California 91201-2497
Telephone: 818-247-6000 · Facsimile: 818-500-9912 · E-mail: sales@glenair.com

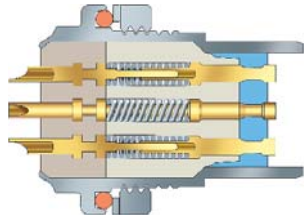
United States · United Kingdom · Germany · Nordic · France · Italy · Spain · Japan

www.glenair.com

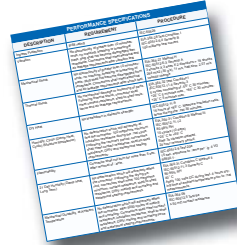
CB Series “PogoPin” Connectors

Table of Contents

Pages 4 – 5
Introduction to
the CB Series



Pages 6 – 8
Specifications



Page 9
Plug Connectors



Pages 10 – 13
Receptacles for
Panel Mounting



Pages 14 – 15
Receptacles for
In-Line Cables



Pages 16 – 18
Filter
Receptacles



Pages 19 – 20
Plug Cordsets



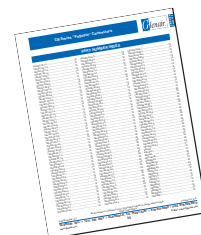
Pages 21 – 25
Backshells,
Covers and
Accessories



Pages 26 – 38
VG95351 and
VG96934 Ordering
Information



Pages 39 – 41
Part Number Index



The CB Series "PogoPin" Connector

The Glenair Compact Bayonet (CB) Connector is an extended durability harsh environment connector for tactical communications equipment. The CB connector is a push-to-mate, turn-to-lock miniature bayonet connector with spring-loaded contacts. The "PogoPin" contact system offers improved resistance to damage and contamination compared to conventional pin-and-socket contacts. Plug connectors have an EMI grounding spring for improved shielding. Solder cup contacts accept up to #20 AWG stranded wire, and are rated for up to 2.5 A. continuous current. Voltage rating is 500 VAC at sea level.



Qualified for NATO Soldier Systems

Tactical communications gear must survive the rigors of hostile environments from the Arabian desert to the Arctic circle. The connectors used on handsets and headsets are mated and de-mated thousands of times over the life of the radio. The CB connector conforms to standards established by the Deutsches Institut für Normung (DIN). These standards, VG95351 for the seven pole version and VG96934 for the 10 pole version, are comparable to U.S.A. Department of Defense Military Specifications. These VG specs require rigorous qualification testing, and the Glenair CB Series "PogoPin" Connector has successfully been tested and approved for use in VG qualified tactical equipment.

VG Standards and Glenair Solutions

For applications bound by VG standards, we offer a complete range of qualified products beginning on page 26. It is important to note that the VG95351 and VG96934 standard covers only a limited range of connector styles, options and configurations. The Glenair CB Series with its broader range of backshells, molded cablesets and other innovations can be more flexibly applied to a wider range of applications. Whatever your requirement, Glenair is positioned to support both small and large volume orders with outstanding product quality and reduced leadtimes.



5,000 Mating Cycles Guaranteed

The CB Series "PogoPin" Connector offers better durability and superior resistance to damage compared to other contact systems. Typical mil spec pin-and-socket contact systems specify 500 to 2000 cycles of mating. Small diameter tubular socket contacts can entrap dirt and debris, degrading performance and reducing service life. Bent pins can lead to connector failure. The CB Series "PogoPin" Connector eliminates these problems. The spring-loaded contacts are self-cleaning and cannot be bent or easily damaged from mishandling.

Smaller and Lighter

New small form factor military radios need smaller connectors. The CB Series 10 pin jam nut receptacle weighs just 11 grams compared to 29 grams for the 6 pin "UG" style audio connector found on many tactical radios. The diameter is reduced by 30%. And unlike "UG" audio connectors, the CB meets requirements for EMI shielding.



CB 10 Pin (left) Compared to MIL-DTL-55116 6 Pin Connector (right)

Waterproof and EMI Protected

CB Series connectors are rated IP68 and are suitable for continuous immersion in water. These connectors are tested to withstand 0.4 bar (5.8 psi) overpressure for 48 hours. The connector interface is protected with a piston-type O-ring. Connectors are fully sealed to prevent water ingress in an unmated (open face) condition.

Plug connectors feature a beryllium copper ground spring. This spring provides low shell-to-shell resistance for excellent EMI shielding effectiveness.

All dimensions in millimeters (mm). Information subject to change without notice.

© 2007 Glenair, Inc.

CAGE Code 06324

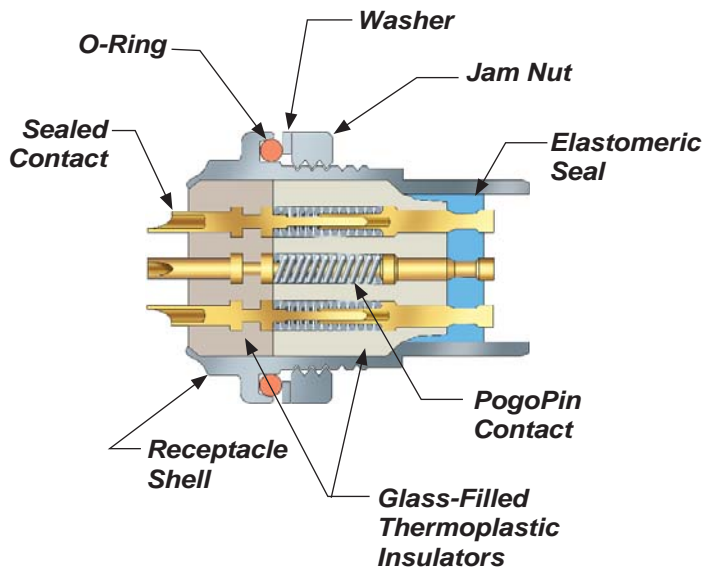
Printed in U.S.A.

GLENAIR, INC. • 1211 AIR WAY • GLENDALE, CA 91201-2497 • 818-247-6000 • FAX 818-500-9912

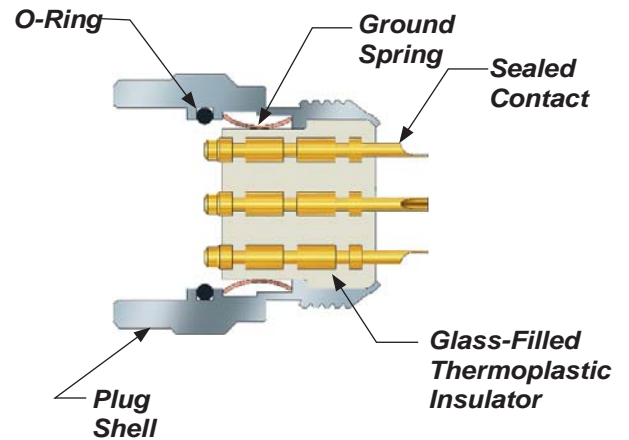
www.glenair.com

E-Mail: sales@glenair.com

Receptacle



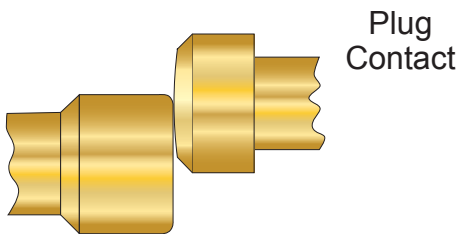
Plug



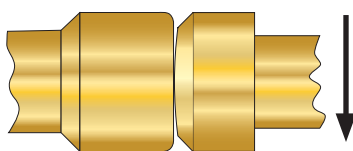
Self-Cleaning "Wiping" Contacts

Hostile environments can lead to a buildup of surface films and contaminants, resulting in unacceptably high contact resistance. The CB Series "PogoPin" contact system's wiping action effectively removes surface contamination. The plug contact, when initially mated, is slightly off-axis to the receptacle spring pin. When the plug is rotated to lock the bayonet pins, the plug contact slides over the receptacle contact. The plug contact has a slight radius which increases the normal force and improves the wiping action. Hard gold plating prevents excessive wear.

Initial Mating



Final Position



CB Series Connector Accessories

A broad range of optional boots, backshells, covers and banding adapters are available for the CB Series.



MATERIALS AND FINISHES

Contacts	Copper alloy, plated hard gold over nickel
Plug shell	Aluminum alloy, plated zinc-cobalt with black chrome
Receptacle shell	300 series stainless steel, with black chrome over nickel finish
Jam Nut	300 series stainless steel, with black chrome over nickel finish
Bayonet pin	Stainless steel
Insulators	Glass-filled nylon
O-ring, internal	Silicone rubber
Interfacial seal (receptacle)	Silicone rubber
Washer (jam nut)	300 series stainless steel, with black chrome over nickel
Spring, EMI (plug)	Beryllium copper alloy, gold plated

SPECIFICATIONS

Current rating	2.5 Amps per contact maximum
Voltage rating (DWV)	500 VAC
Insulation resistance	5000 M Ω
durability	5000 cycles of mating, minimum
Contact resistance	5 m Ω
Water ingress protection	IP68
Water immersion	2 meters, 48 hours
Air pressure	0.4 bar
Operating temperature	-55° C to +85° C
Shielding effectiveness	50 dB attenuation up to 100 MHz
Corrosion resistance (salt spray)	48 hours
Maximum wire size	1mm maximum diameter. Not recommended for 19/32 strand #20 wire.

DETAILED PERFORMANCE SPECIFICATIONS

DESCRIPTION	REQUIREMENT	PROCEDURE
Contact Resistance	+ 25° C \leq 20 m Ω - 55° C \leq 100 m Ω	EIA-364-06 IEC 60512-2-1
Insulation Resistance	5000 M Ω	EIA-364-21 IEC-60512-3-1 500 volts DC \pm 50 volts. Test between adjacent contacts and contacts to shell.
Dielectric Withstanding Voltage	No breakdown or flashover	EIA-364-20 IEC-60512-4-1 Sea level 500 volts AC rms 50 or 60 Hz. One minute dwell.
Current Carrying Capacity	2.5 amp at 70° C	EIA-364-70 Method 1 IEC-60512-5 Test 9b
Shell-to-shell Resistance (connectors with ground springs)	2.5mV	EIA-364-83 IEC-60512-2-6
Shielding Effectiveness	70 dB attenuation up to 10MHz 50 dB attenuation at 100 MHz	VG 95214-13 Method KS 13 B

All dimensions in millimeters (mm). Information subject to change without notice.

DETAILED PERFORMANCE SPECIFICATIONS

DESCRIPTION	REQUIREMENT	PROCEDURE
Water Immersion	No evidence of water penetration into mated connectors. No evidence of water penetration into an unmated panel mounted receptacle. $\geq 100 \text{ M}\Omega$ insulation resistance.	MIL-STD-810F Method 512.4 2 meters immersion 48 hours
Air Pressure	No detectable moisture. $\geq 5000 \text{ M}\Omega$ insulation resistance.	IEC-60512-7 Test 14b 0.4 bar overpressure 48 hours immersion at a depth of 150mm in 25° C tap water.
Ingress Protection	IP68 rating	IEC-60529
Vibration	No discontinuity of greater than 10 microseconds, no cracking, breaking or loosening of parts, plug shall not become disengaged from receptacle. Connectors shall meet electrical and air leakage requirements after vibration test.	EIA-364-28 Test Condition I IEC-60512-6-4 Severity B 100 milliampere test current
Mechanical Shock	No discontinuity of greater than 10 microseconds, no cracking, breaking or loosening of parts, plug shall not become disengaged from receptacle. Connectors shall meet electrical and air leakage requirements after shock test.	EIA-364-27 Method H IEC-60512-6-3 Severity A 3 shocks X 3 axes X 2 directions = 18 shocks 294 m/s ² (30 g's), 11 ms, half-sine, 2.07 m/s velocity change
Thermal Shock	No mechanical damage or loosening of parts. Following thermal shock, connector shall meet contact resistance, shell-to-shell resistance and air leakage requirements.	EIA-364-32 Test Condition1 IEC-60512-11-4 Severity 3 5 cycles consisting of -55° C 30 minutes, +25° C 5 minutes max., +85° C 30 minutes, +25° C 5 minutes max.
Dry Heat	No breakdown in dielectric strength.	IEC-60512-11-9 16 hours at +85° C. Measure insulation resistance during the final 30 minutes.
Humidity, Cyclic (Damp Heat, Cyclic) (Moisture Resistance)	No deterioration which will adversely affect the connector. 100 megohms minimum insulation resistance during the final cycle. Following the recovery period, connectors shall meet contact resistance, shell-to-shell resistance, DWV and waterproof sealing requirements.	EIA-364-31 Condition B Method III IEC-60512-11-12 80-98% RH 10 cycles (10 days) +25° C to +65° C Step 7b vibration deleted. 24 hour recovery period.
Flammability	Connector shall not burn for more than 5 sec. after removal of flame.	IEC-60512-9 Test 20a 15 sec. exposure to flame per fig. 4 VG 96934-1.
21 Day Humidity (Damp heat, Long Term)	No deterioration which will adversely affect the connector. Following the drying period, connectors shall meet 100 megohms minimum, contact resistance, shell-to-shell resistance, DWV, mating and unmating and waterproof sealing requirements.	EIA-364-31 Condition C Method II IEC-60512-11-3 Severity C 90-95% RH 40° C Apply 100 volts DC during test. 4 hours drying time at ambient temperature prior to final measurements.

All dimensions in millimeters (mm). Information subject to change without notice.
CAGE Code 06324



DETAILED PERFORMANCE SPECIFICATIONS

DESCRIPTION	REQUIREMENT	PROCEDURE
Mechanical Durability, at Ambient Temperature	No deterioration which will adversely affect the connector after 5000 cycles of mating and unmating. Connectors shall meet contact resistance, insulation resistance, shell-to-shell resistance, DWV, mating and unmating force and waterproof sealing requirements.	EIA-364-09 IEC-60512-5 Test 9a ≤ 50 mΩ contact resistance
Temperature Life (High Temperature Endurance)	No deterioration which will adversely affect the connector. Connectors shall meet contact resistance, insulation resistance, shell-to-shell resistance, DWV, and waterproof sealing requirements.	EIA-364-17 method A VG 95210-9 85° C 1000 hours ≥ 10 MΩ insulation resistance ≤ 50 mΩ contact resistance ≤ 20 mV shell-to-shell resistance
Corrosion (Salt Mist)	No exposure of base metal. Connectors shall meet DWV and contact resistance requirements following the test.	EIA-364-26 Condition B IEC 60512-11-6 Severity B 5% salt solution 35° C 48 hours exposure Unmated connectors
Solderability, PC Tail Contacts	95% solder coverage. Smooth, bright and even finish.	EIA-364-52 Category 3 IEC-60512-12-1 IEC-68-2-20 Test Ta, method 1 8 hours steam aging prior to test 245° C 4-5 sec. dwell 10X magnification
Solderability, Solder Cup Contacts	Smooth, bright and even finish	IEC-60512-12-2 Test 12b IEC-68-2-20 Test Ta, method 2 3mm soldering iron tip
Resistance To Soldering Heat	No damage to connector. Connectors shall meet insulation resistance and waterproof sealing requirements.	EIA-364-56 IEC-60512-12-5 Test 12e 360° C, 5 seconds (solder cups) 260° C, 10 seconds (PC tail)
Impact, Cable Connectors	No impairment of function. Connector shall meet contact resistance, insulation resistance and waterproof sealing.	EIA-364-42 IEC-60512-5 test 7b 1 meter 8 drops
Solvent Resistance (NATO)	No damage from immersion in NATO fuels F-40, F-50, D-156, D-236, N-515, N-542	VG 96934-1 Test 5.41.1
Fluid Immersion	No damage from immersion in lubricating oils, gasoline, gasohol, or hydraulic fluid	EIA-364-10
Contact Retention	No displacement of contact. No loss of sealing.	EIA-364-29 10 pounds (44 N.) Force to be applied to both ends of fixed contacts and the terminal end of spring-loaded contacts.

All dimensions in millimeters (mm). Information subject to change without notice.

CAGE Code 06324

Printed in U.S.A.

Plug Connectors



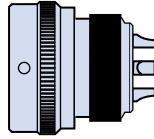
7 Pin Plug



10 Pin Plug

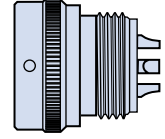
Cable plugs feature non-removable solder cup contacts for up to #20 AWG wire. Contacts are plated with hard gold. Aluminum connector body, stainless steel bayonet pins. Shell is zinc plated with black chromate finish. Silicone O-ring provides waterproof seal when mated. Beryllium copper EMI spring for improved grounding.

Style 1



1 Plug with knurl for use with Glenair 809-060 heat shrinkable boots. 7 grams maximum weight.

Style 2



2 Plug with M14 metric thread for use with PG adapters and backshells. 7 grams maximum weight

7 Pin Plug Connector

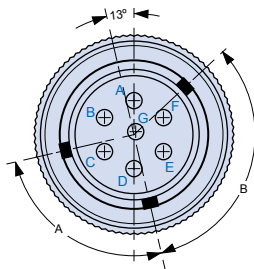
Body Style	No. of Contacts	Polarizing Position 1 (White)	Polarizing Position 2 (Yellow)	Polarizing Position 3 (Green)	Polarizing Position 4 (Pink)
Fig. 1	7	CBG07A1L0	CBG07A2L0	CBG07A3L0	CBG07A4L0
Fig. 2	7	CBG07E1L0	CBG07E2L0	CBG07E3L0	CBG07E4L0
Fig. 1	7	CB07A1L0*	CB07A2L0*	CB07A3L0*	CB07A4L0*
Fig. 2	7	CB07E1L0*	CB07E2L0*	CB07E3L0*	CB07E4L0*

* No Grounding Finger

10 Pin Plug Connector

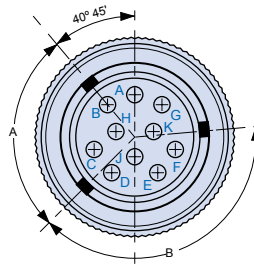
Body Style	No. of Contacts	Polarizing Position N (White)	Polarizing Position W (Blue)	Polarizing Position X (Violet)	Polarizing Position Y (Chrome Yellow)	Polarizing Position Z (Dark Red)
Fig. 1	10	CB10G1L0	CB10G2L0	CB10G3L0	CB10G4L0	CB10G5L0
Fig. 2	10	CB10E1L0	CB10E2L0	CB10E3L0	CB10E4L0	CB10E5L0

Plug Connector Mating Face and Key Positions



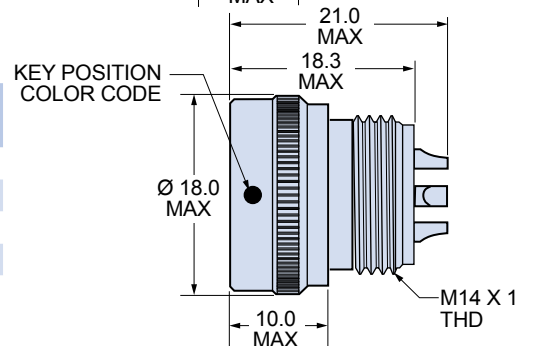
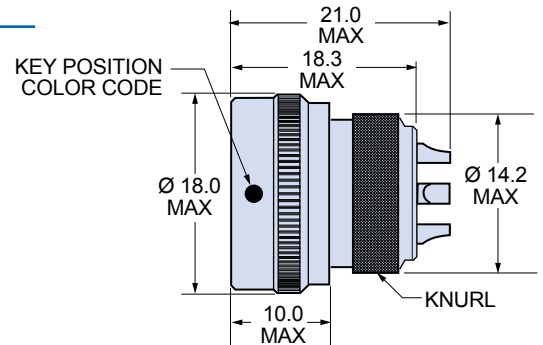
7 Pin Plug

Position	A	B	Color Code
1	90°	120°	White
2	105°	130°	Yellow
3	110°	135°	Green
4	100°	165°	Pink



10 Pin Plug

Position	A	B	Color Code
N	95°	140°	White
W	85°	115°	Blue
X	100°	105°	Violet
Y	110°	120°	Chrome Yellow
Z	80°	145°	Dark Red



All dimensions in millimeters (mm). Information subject to change without notice.

CAGE Code 06324

Printed in U.S.A.

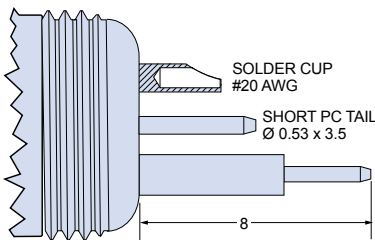
Receptacle Connectors for Panel Mounting - 7 Contacts



Jam Nut Receptacle

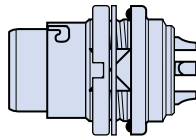
Contact Types

Solder cup contacts accept up to #20 AWG stranded wire (1mm max. diameter). PC tail contacts are available in two lengths: 3.5 mm and 8.0 mm

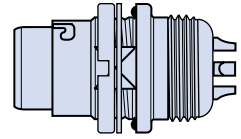


Receptacles feature non-removable solder cup contacts or printed circuit board terminals. Contacts are plated with hard gold. Stainless steel connector body and jam nut. Shell is plated with black chromate finish. Silicone face seal prevents water ingress when unmated. Open face pressure rating 0.4 bar. 5000 cycles mating durability.

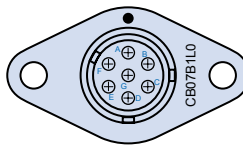
Style 1



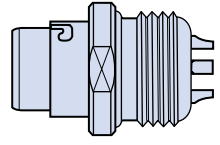
Style 2



Style 3



Style 4



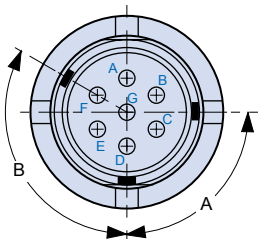
1 Jam nut receptacle for rear panel mounting (3.5 mm maximum panel thickness). Supplied with stainless steel jam nut and flat washer. Nitrile O-ring provides watertight panel seal. 13 grams maximum weight.

2 Jam nut receptacle with M14X1 accessory threads for rear panel mounting (3.5 mm max. panel thickness). Supplied with stainless steel jam nut and flat washer. Nitrile O-ring provides watertight panel seal. 13 grams maximum weight.

3 Two hole flange mount receptacle for front panel mounting. Mounting holes accept M3 screws, not supplied. Use with optional gasket or O-ring for watertight panel sealing. 16 grams maximum weight.

4 "Thread-in" receptacle with PG9 threads for installation directly into a tapped hole. Supplied with O-ring. 16 grams maximum weight.

7 Pin Receptacle Connector Mating Face and Key Positions



Position	A	B	Color Code
1	90°	120°	White
2	105°	130°	Yellow
3	110°	135°	Green
4	100°	165°	Pink

7 Pin Panel Mount Receptacle

Mounting Style	Fig.	Contact Type	Polarizing Position 1 (White)	Polarizing Position 2 (Yellow)	Polarizing Position 3 (Green)	Polarizing Position 4 (Pink)
Jam Nut	Fig. 1	Solder Cup	CB07C1L0	CB07C2L0	CB07C3L0	CB07C4L0
Jam Nut	Fig. 1	Short PC Tail	CB07C1L1	CB07C2L1	CB07C3L1	CB07C4L1
Jam Nut	Fig. 1	Long PC Tail	CB07C1L2	CB07C2L2	CB07C3L2	CB07C4L2
Jam Nut w/ Thd.	Fig. 2	Solder Cup	CB07T1L0	CB07T2L0	CB07T3L0	CB07T4L0
Jam Nut w/ Thd.	Fig. 2	Short PC Tail	CB07T1L1	CB07T2L1	CB07T3L1	CB07T4L1
Jam Nut w/ Thd.	Fig. 2	Long PC Tail	CB07T1L2	CB07T2L2	CB07T3L2	CB07T4L2
Flange	Fig. 3	Solder Cup	CB07B1L0	CB07B2L0	CB07B3L0	CB07B4L0
Flange	Fig. 3	Short PC Tail	CB07B1L1	CB07B2L1	CB07B3L1	CB07B4L1
Flange	Fig. 3	Long PC Tail	CB07B1L2	CB07B2L2	CB07B3L2	CB07B4L2
Thread-In	Fig. 4	Solder Cup	CB07Q1L0	CB07Q2L0	CB07Q3L0	CB07Q4L0
Thread-In	Fig. 4	Short PC Tail	CB07Q1L1	CB07Q2L1	CB07Q3L1	CB07Q4L1
Thread-In	Fig. 4	Long PC Tail	CB07Q1L2	CB07Q2L2	CB07Q3L2	CB07Q4L2

All dimensions in millimeters (mm). Information subject to change without notice.

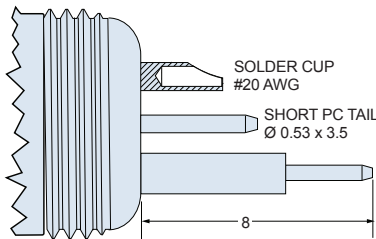
Receptacle Connectors for Panel Mounting - 10 Contacts



Jam Nut Receptacle

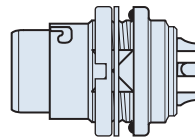
Contact Types

Solder cup contacts accept up to #20 AWG stranded wire (1mm max. diameter). PC tail contacts are available in two lengths: 3.5 mm and 8.0 mm

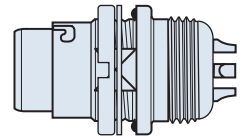


Receptacles feature non-removable solder cup contacts for up to #20 AWG wire or printed circuit board terminals. Contacts are plated with hard gold. Stainless steel connector body and jam nut. Shell is plated with black chrome finish. Silicone face seal and O-ring. Open face pressure rating 0.4 bar. 5000 cycles mating durability.

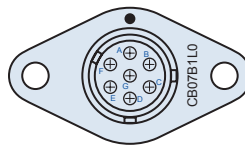
Style 1



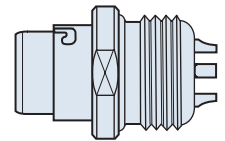
Style 2



Style 3



Style 4



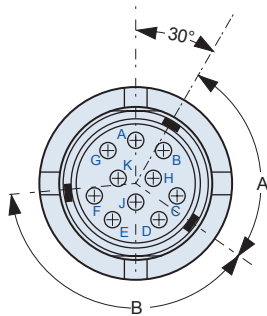
1 Jam nut receptacle for rear panel mounting (3.0 mm maximum panel thickness). Supplied with stainless steel jam nut and flat washer. O-ring provides watertight panel seal. 11 grams maximum weight.

2 Jam nut receptacle with M14X1 accessory threads for rear panel mounting (3.5 mm max. panel thickness). Supplied with stainless steel jam nut and flat washer. O-ring provides watertight panel seal. 19 grams maximum weight.

3 Two hole flange mount receptacle for front panel mounting. Mounting holes accept M3 screws, not supplied. Use with optional gasket or O-ring for watertight panel sealing. 19 grams maximum weight.

4 "Thread-in" receptacle with PG9 threads for installation directly into a tapped hole. Supplied with O-ring. 19 grams maximum weight.

10 Pin Receptacle Connector Mating Face and Key Positions

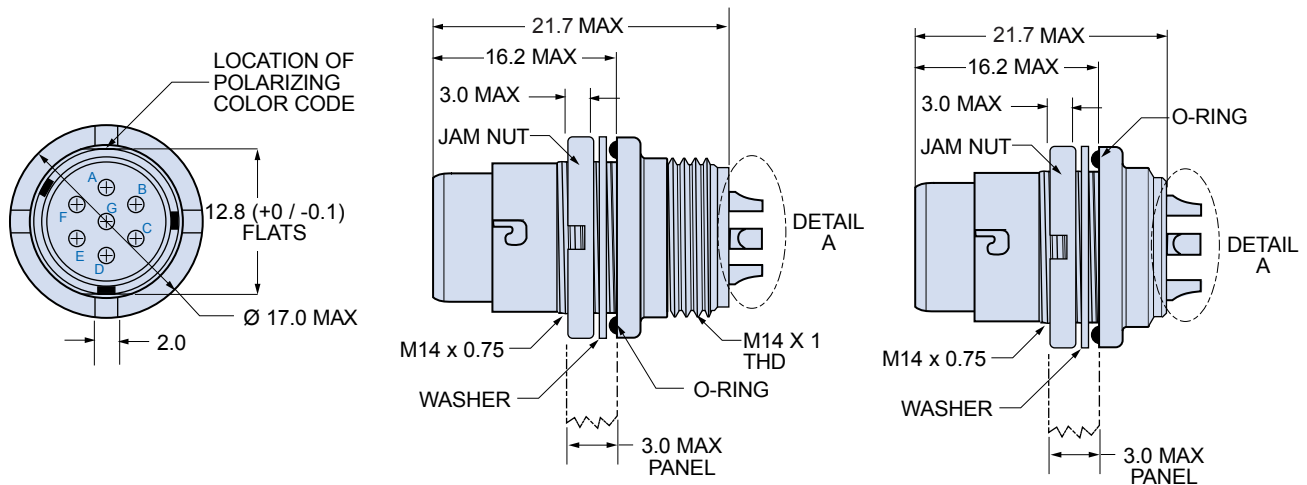


Position	A	B	Color Code
N	95°	140°	White
W	85°	115°	Blue
X	100°	105°	Violet
Y	110°	120°	Chrome Yellow
Z	80°	145°	Dark Red

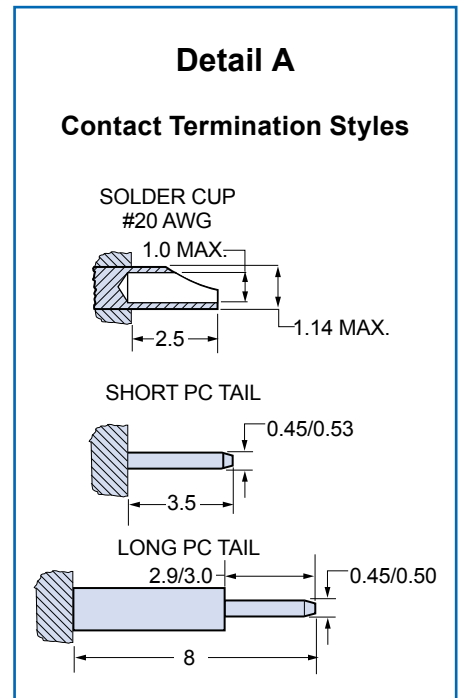
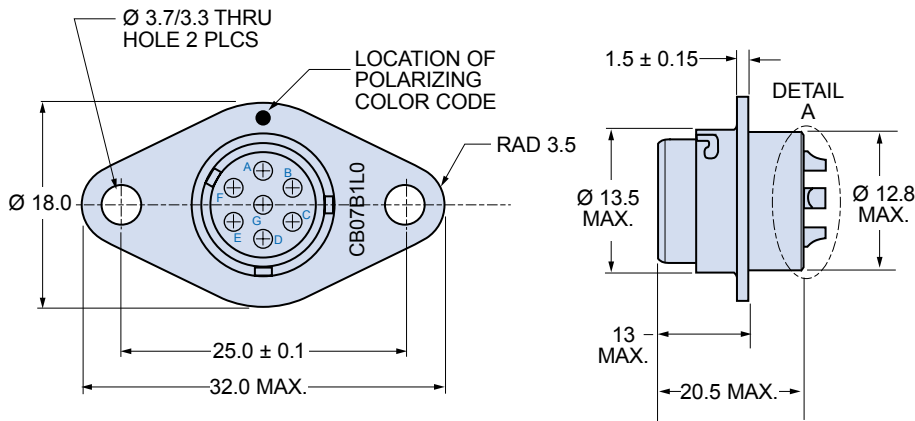
10 Pin Panel Mount Receptacle

Mounting Style	Fig.	Contact Type	Polarizing Position N (White)	Polarizing Position W (Blue)	Polarizing Position X (Violet)	Polarizing Position Y (Chrome Yellow)	Polarizing Position Z (Dark Red)
Jam Nut	Fig. 1	Solder Cup	CB10C1L0	CB10C2L0	CB10C3L0	CB10C4L0	CB10C5L0
Jam Nut	Fig. 1	Short PC Tail	CB10C1L1	CB10C2L1	CB10C3L1	CB10C4L1	CB10C5L1
Jam Nut	Fig. 1	Long PC Tail	CB10C1L2	CB10C2L2	CB10C3L2	CB10C4L2	CB10C5L2
Jam Nut / Thd.	Fig. 2	Solder Cup	CB10T1L0	CB10T2L0	CB10T3L0	CB10T4L0	CB10T5L0
Jam Nut / Thd.	Fig. 2	Short PC Tail	CB10T1L1	CB10T2L1	CB10T3L1	CB10T4L1	CB10T5L1
Jam Nut / Thd.	Fig. 2	Long PC Tail	CB10T1L2	CB10T2L2	CB10T3L2	CB10T4L2	CB10T5L2
Flange	Fig. 3	Solder Cup	CB10B1L0	CB10B2L0	CB10B3L0	CB10B4L0	CB10B5L0
Flange	Fig. 3	Short PC Tail	CB10B1L1	CB10B2L1	CB10B3L1	CB10B4L1	CB10B5L1
Flange	Fig. 3	Long PC Tail	CB10B1L2	CB10B2L2	CB10B3L2	CB10B4L2	CB10B5L2
Thread-In	Fig. 4	Solder Cup	CB10Q1L0	CB10Q2L0	CB10Q3L0	CB10Q4L0	CB10Q5L0
Thread-In	Fig. 4	Short PC Tail	CB10Q1L1	CB10Q2L1	CB10Q3L1	CB10Q4L1	CB10Q5L1
Thread-In	Fig. 4	Long PC Tail	CB10Q1L2	CB10Q2L2	CB10Q3L2	CB10Q4L2	CB10Q5L2

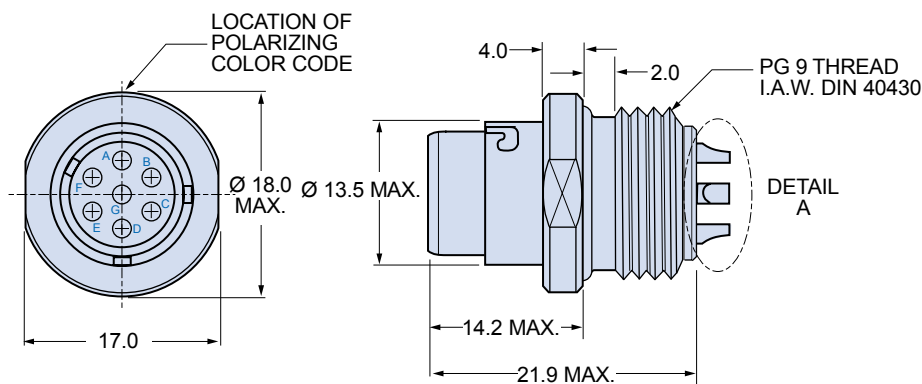
Jam Nut Receptacle Dimensions



Flange Mount Receptacle Dimensions

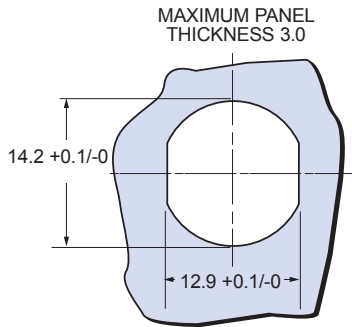


Thread-In Mount Receptacle Dimensions

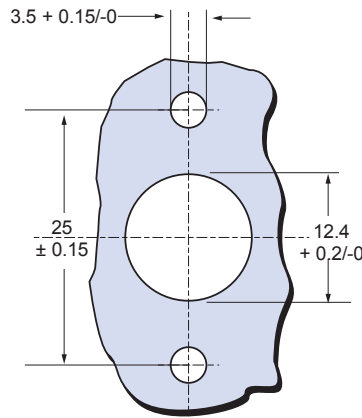


All dimensions in millimeters (mm). Information subject to change without notice.

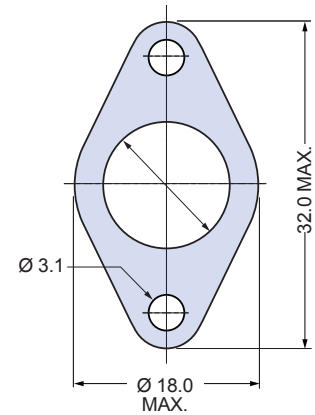
Receptacle Connector Panel Cutouts



1 Panel cutout for jam nut receptacle for rear panel mounting.

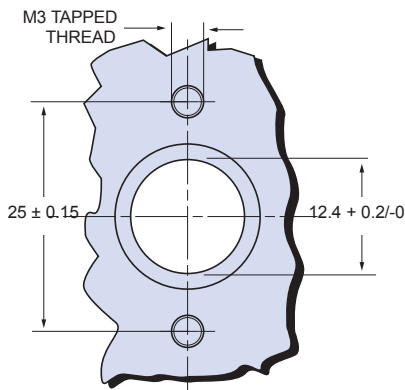


2 Panel cutout for elliptical flange mount receptacle. For front panel mounting.

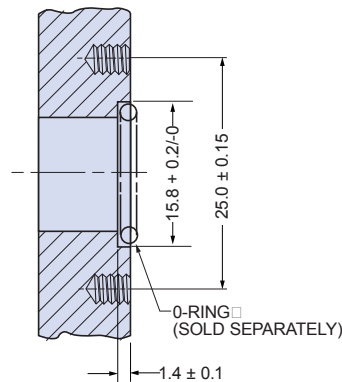


3 Nitrile panel gasket for elliptical flange mount receptacle. Ordered separately.

Description	Part Number
Gasket	CBGK-B



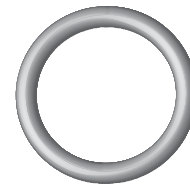
4a Face view of panel cutout for elliptical flange receptacle with tapped holes.



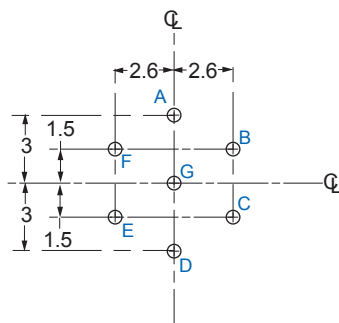
4a Side view of panel cutout for elliptical flange receptacle with tapped holes.

5 O-ring for use with cutout #4. Purchased separately.

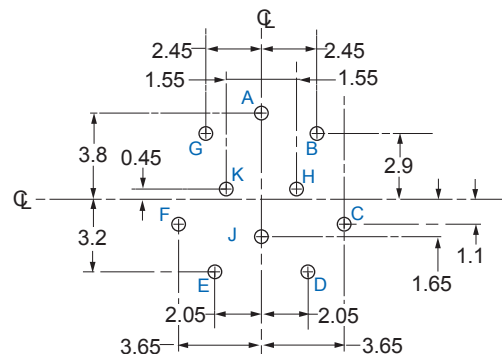
Description	Part Number
O-Ring	CBOR-B



Receptacle Connector Printed Circuit Board Patterns



1 PCB mounting pattern for receptacles with 7 contacts.



2 PCB mounting pattern for receptacles with 10 contacts.

Receptacle Connector, In-Line

In-line receptacles are used on free-hanging cords. Receptacles feature non-removable solder cup contacts for up to #20 AWG wire. Contacts are plated with hard gold. Stainless steel connector body. Shell is plated with black chromate finish. Silicone face seal. Open face pressure rating 0.4 bar. 5000 cycles mating durability. Shrouded receptacles are easier to mate and also provide added protection to mated connectors.

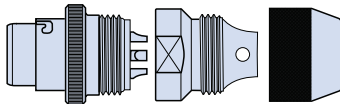


Unshrouded In-Line Receptacle



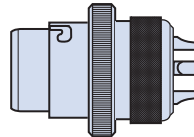
Shrouded In-Line Receptacle

* Figure A

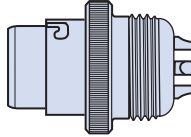


Unshrouded In-Line Receptacle with two pieces Shielded Backshell

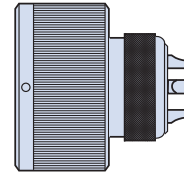
Style 1



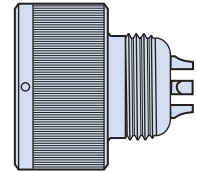
Style 2



Style 3



Style 4



- 1** Receptacle with knurl for use with Glenair 809-060 heat shrinkable boots. Boots ordered separately. Maximum weight 16 grams.
- 2** Receptacle with M14 x 1 accessory threads for use with adapters. Maximum weight 16 grams.
- 3** Shrouded receptacle for in-line cable mounting. Stainless steel shroud provides additional support and protection to mated connectors. With knurl for use with Glenair 809-060 heat shrinkable boots. Boots ordered separately. Maximum weight 14 grams.
- 4** Shrouded receptacle for in-line cable mounting. Stainless steel shroud provides additional support and protection to mated connectors. With M14 x 1 accessory threads for use with adapters. Maximum weight 14 grams.

7 Pin in-Line Receptacle Connector

Body Style	No. of Contacts	Polarizing Position 1 (White)	Polarizing Position 2 (Yellow)	Polarizing Position 3 (Green)	Polarizing Position 4 (Pink)
Fig. 1	7	CB07D1L0	CB07D2L0	CB07D3L0	CB07D4L0
Fig. 2	7	CB07DF1L0	CB07DF2L0	CB07DF3L0	CB07DF4L0
Fig. 3	7	CB07KG1NL0N0	CB07KG2NL0N0	CB07KG3NL0N0	CB07KG4NL0N0
Fig. 4	7	CB07K1NL0N0	CB07K2NL0N0	CB07K3NL0N0	CB07K4NL0N0

10 Pin In-Line Receptacle Connector

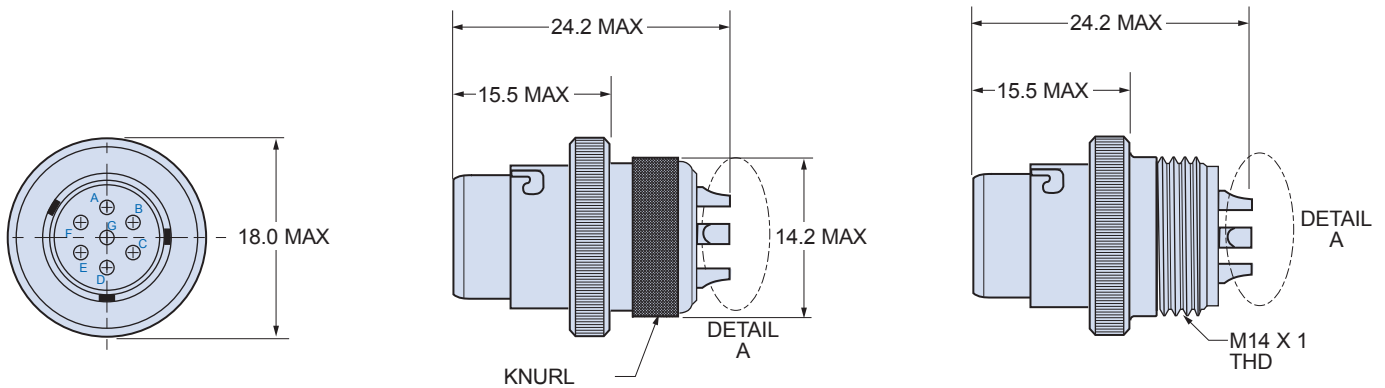
Body Style	No. of Pins	Polarizing Position 1 (White)	Polarizing Position 2 (Blue)	Polarizing Position 3 (Violet)	Polarizing Position 4 (Chrome Yellow)	Polarizing Position 5 (Dark Red)
Fig. A	10	CB10D1L0 *	CB10D2L0	CB10D3L0	CB10D4L0	CB10D5L0
Fig. 2	10	CB10DF1L0	CB10DF2L0	CB10DF3L0	CB10DF4L0	CB10DF5L0
Fig. 3	10	CB10KG1NL0N0	CB10KG2NL0N0	CB10KG3NL0N0	CB10KG4NL0N0	CB10KG5NL0N0
Fig. 4	10	CB10K1NL0N0	CB10K2NL0N0	CB10K3NL0N0	CB10K4NL0N0	CB10K5NL0N0

All dimensions in millimeters (mm). Information subject to change without notice.

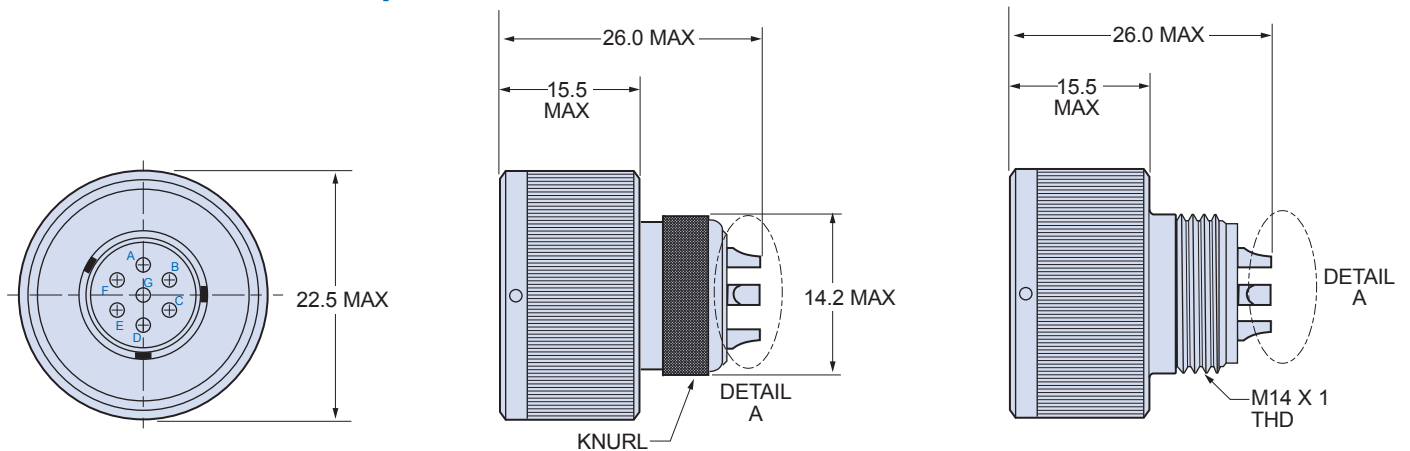
CAGE Code 06324

Printed in U.S.A.

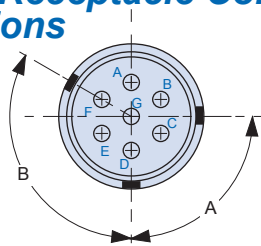
In-Line Unshrouded Receptacle Dimensions



In-Line Shrouded Receptacle Dimensions

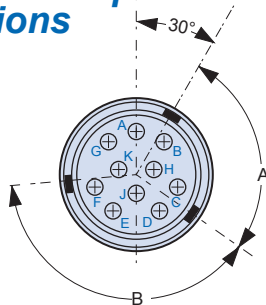


7 Pin Receptacle Connector Mating Face and Key Positions



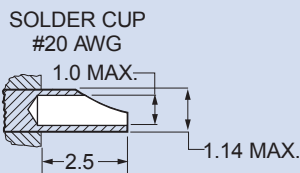
	Position A	B	Color Code
1	90°	120°	White
2	105°	130°	Yellow
3	110°	135°	Green
4	100°	165°	Pink

10 Pin Receptacle Connector Mating Face and Key Positions



	Position A	B	Color Code
N	95°	140°	White
W	85°	115°	Blue
X	100°	105°	Violet
Y	110°	120°	Chrome Yellow
Z	80°	145°	Dark Red

Detail A



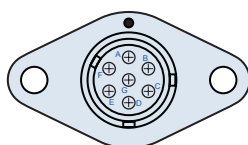
All dimensions in millimeters (mm). Information subject to change without notice.

CAGE Code 06324

Printed in U.S.A.

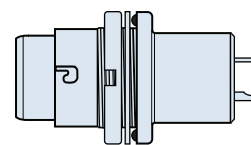
Compact Filter Receptacles for Panel Mounting

Planar filter array receptacles use capacitors and ferrite inductors for attenuation of unwanted high frequency noise and interference. Select the appropriate mounting style (jam nut or flange mount) and the desired filter topology (Pi or C). Stainless steel body and jam nut, with black chrome finish. Available with 7 or 10 contacts. Mates to standard CB plug connectors. Solder cup or printed circuit board contacts.



Style 1

1 Flange mount receptacle for front panel mounting.

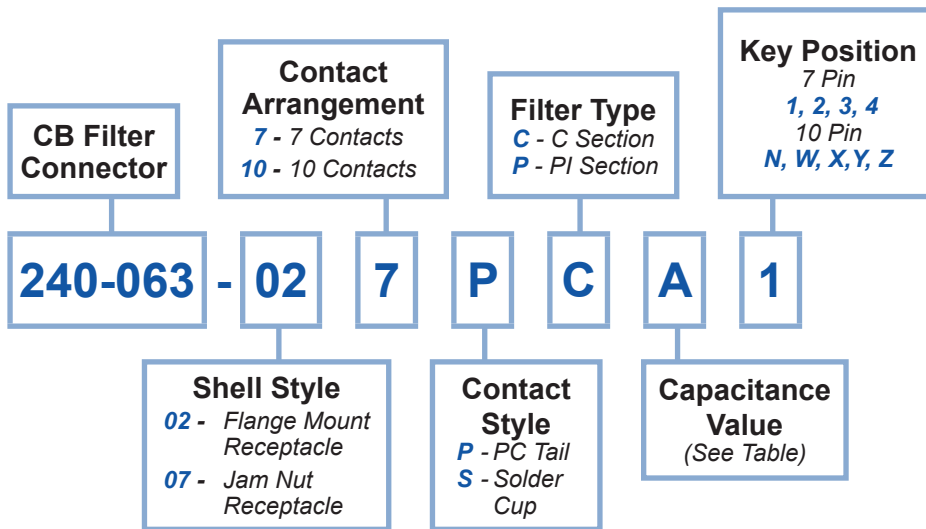


Style 2

2 Jam nut receptacle for rear panel mounting. Fits up to 3mm panel thickness.

How To Order

SPECIFICATIONS	
Voltage (DWV)	50 VDC maximum
Current	2.5 Amps maximum
Insulation Resistance	5000 megohms minimum
Maximum Wire Size	#20 AWG
Shell	Stainless steel w/ black chrome
Jam Nut	Stainless steel w/ black chrome
O-Ring	Silicone
Interfacial Seal	Silicone
Contact	Copper alloy, gold plated
Water Immersion	MIL-STD-810 Method 512 1 meter
Ingress Protection	IP68
Mating Cycles	5000 cycles minimum



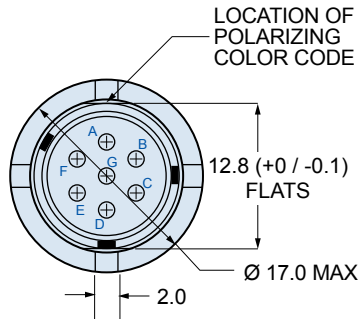
CAPACITANCE VALUE		
CODE	PI - SECTION (pF)	C - SECTION (pF)
A	38,000 - 56,000	19,000 - 28,000
B	32,000 - 45,000	16,000 - 22,500
C	18,000 - 33,000	9,000 - 16,500
D	8,000 - 12,000	4,000 - 6,000
E	3,300 - 5,000	1,650 - 2,500
F	800 - 1,300	400 - 650
G	400 - 600	200 - 300

All dimensions in millimeters (mm). Information subject to change without notice.

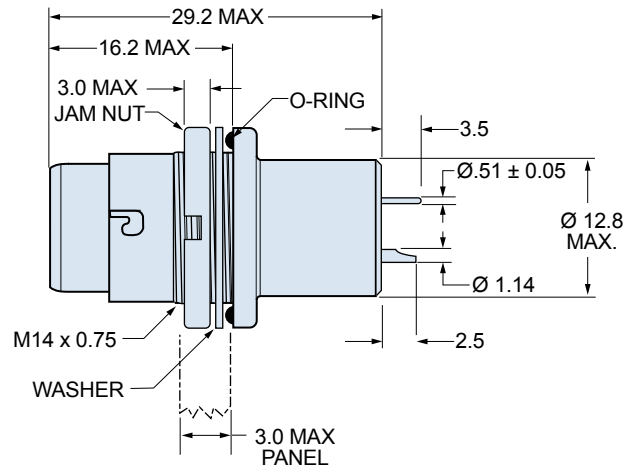
CAGE Code 06324

Printed in U.S.A.

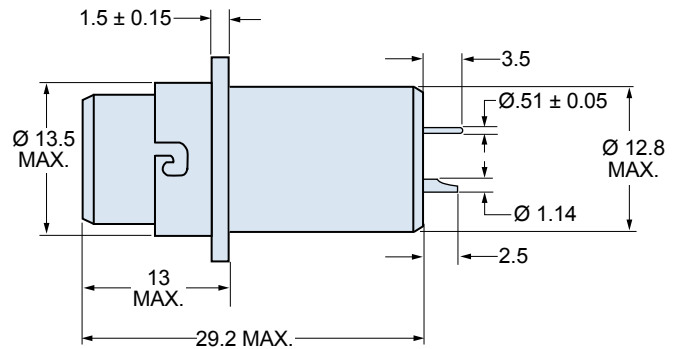
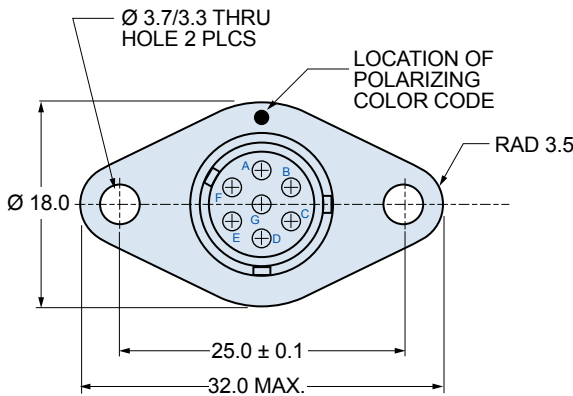
Filter Jam Nut Receptacle Dimensions



Panel cutouts and printed circuit board mounting patterns are shown on page 13.

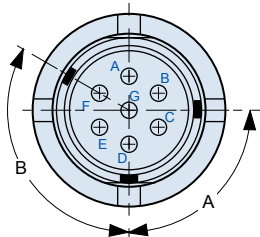


Filter Flange Mount Receptacle Dimensions



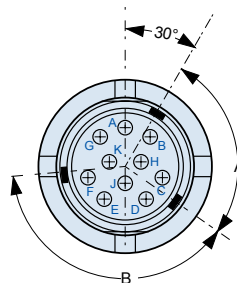
Panel cutouts and printed circuit board mounting patterns are shown on page 13.

7 Pin Receptacle Connector Mating Face and Key Positions



Position	A	B	Color Code
1	90°	120°	White
2	105°	130°	Yellow
3	110°	135°	Green
4	100°	165°	Pink

10 Pin Receptacle Connector Mating Face and Key Positions



Position	A	B	Color Code
N	95°	140°	White
W	85°	115°	Blue
X	100°	105°	Violet
Y	110°	120°	Chrome Yellow
Z	80°	145°	Dark Red

All dimensions in millimeters (mm). Information subject to change without notice.
CAGE Code 06324

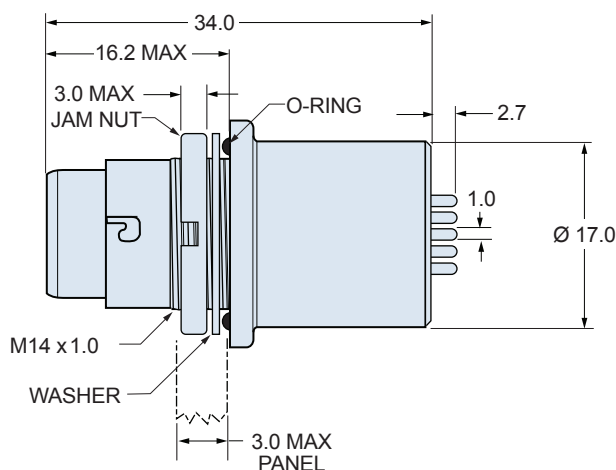
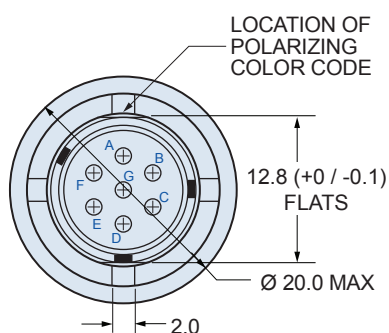
7 Pin Filter Jam Nut Receptacle for Rear Panel Mounting



Eliminate unwanted high frequency electrical interference with European standard filtered CB07 connector. Stainless steel body and jam nut, with black chrome finish. Mates to standard CB07 plug connectors. Printed circuit board contacts are gold plated. Watertight when unmated, CB07 filtered connectors offer 5000 cycles of mating and meet harsh environment requirements.

7 Pin Filter Receptacle

Polarizing Position 1 (White)	Polarizing Position 2 (Yellow)	Polarizing Position 3 (Green)	Polarizing Position 4 (Pink)
CB07C1L1F	CB07C2L1F	CB07C3L1F	CB07C4L1F

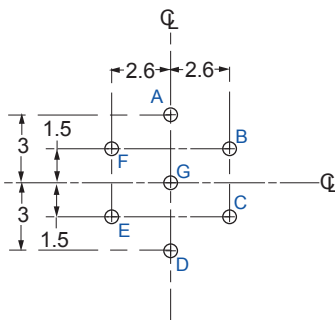


Panel cutouts and printed circuit board mounting patterns are shown on page 13.

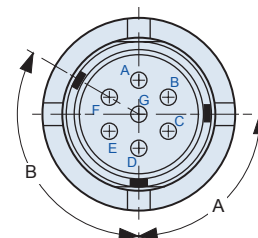
SPECIFICATIONS

Capacitance	3000 pF at 25°C, 1 KHz, 1Vrms
Voltage (DWV)	50 VDC maximum
Current	2.5 Amps maximum
Insulation Resistance	5000 megohms minimum
Shell	Stainless steel w/ black chrome
Jam Nut	Stainless steel w/ black chrome
O-Ring, Face Seal	Silicone
Contact	Copper alloy, gold plated
Water Immersion	MIL-STD-810 Method 512.1 meter
Ingress Protection	IP68
Mating Cycles	5000 Cycles minimum

Printed Circuit Board Pattern



Connector Mating Face and Key Positions



Position	A	B	Color Code
1	90°	120°	White
2	105°	130°	Yellow
3	110°	135°	Green
4	100°	165°	Pink

All dimensions in millimeters (mm). Information subject to change without notice.

CAGE Code 06324

Printed in U.S.A.

CB Series Pigtail Cordsets, Overmolded



Style 1

Style 2

Single-ended CB Series overmolded cordsets feature polyamide strain relief and polyurethane cable jacket. Cable braid shield is terminated directly to connector body for excellent EMI performance. Watertight overmolding meets IP68/ MIL-STD-810 immersion requirements. -30°C to +85°C.

- 1** Standard pigtail cordset. Connector is exposed and extends from overmolding.
- 2** Pigtail cordset with plug connector recessed into overmolding. Molded-in alignment indicator and lock-unlock arrow. Not mateable with in-line shrouded receptacles.

7 Pin Pigtail Cordset, #22 AWG Conductors

Fig.	Length in Meters	Polarizing Position 1 (White)	Polarizing Position 2 (Yellow)	Polarizing Position 3 (Green)	Polarizing Position 4 (Pink)
Fig. 1	1	150-001-22-1-1	150-001-22-2-1	150-001-22-3-1	150-001-22-4-1
Fig. 1	2	150-001-22-1-2	150-001-22-2-2	150-001-22-3-2	150-001-22-4-2
Fig. 1	3	150-001-22-1-3	150-001-22-2-3	150-001-22-3-3	150-001-22-4-3
Fig. 1	4	150-001-22-1-4	150-001-22-2-4	150-001-22-3-4	150-001-22-4-4
Fig. 2	1	150-002-22-1-1	150-002-22-2-1	150-002-22-3-1	150-002-22-4-1
Fig. 2	2	150-002-22-1-2	150-002-22-2-2	150-002-22-3-2	150-002-22-4-2
Fig. 2	3	150-002-22-1-3	150-002-22-2-3	150-002-22-3-3	150-002-22-4-3
Fig. 2	4	150-002-22-1-4	150-002-22-2-4	150-002-22-3-4	150-002-22-4-4

7 Pin Pigtail Cordset, #24 AWG Conductors

Fig.	Length in Meters	Polarizing Position 1 (White)	Polarizing Position 2 (Yellow)	Polarizing Position 3 (Green)	Polarizing Position 4 (Pink)
Fig. 1	1	150-001-24-1-1	150-001-24-2-1	150-001-24-3-1	150-001-24-4-1
Fig. 1	2	150-001-24-1-2	150-001-24-2-2	150-001-24-3-2	150-001-24-4-2
Fig. 1	3	150-001-24-1-3	150-001-24-2-3	150-001-24-3-3	150-001-24-4-3
Fig. 1	4	150-001-24-1-4	150-001-24-2-4	150-001-24-3-4	150-001-24-4-4
Fig. 2	1	150-002-24-1-1	150-002-24-2-1	150-002-24-3-1	150-002-24-4-1
Fig. 2	2	150-002-24-1-2	150-002-24-2-2	150-002-24-3-2	150-002-24-4-2
Fig. 2	3	150-002-24-1-3	150-002-24-2-3	150-002-24-3-3	150-002-24-4-3
Fig. 2	4	150-002-24-1-4	150-002-24-2-4	150-002-24-3-4	150-002-24-4-4

10 Pin Pigtail Cordset, #22 AWG Conductors

Fig.	Length in Meters	Polarizing Position N (White)	Polarizing Position W (Blue)	Polarizing Position X (Violet)	Polarizing Position Y (Chrome Yel.)	Polarizing Position Z (Dark Red)
Fig. 1	1	150-003-22-N-1	150-003-22-W-1	150-003-22-X-1	150-003-22-Y-1	150-003-22-Z-1
Fig. 1	2	150-003-22-N-2	150-003-22-W-2	150-003-22-X-2	150-003-22-Y-2	150-003-22-Z-2
Fig. 1	3	150-003-22-N-3	150-003-22-W-3	150-003-22-X-3	150-003-22-Y-3	150-003-22-Z-3
Fig. 1	4	150-003-22-N-4	150-003-22-W-4	150-003-22-X-4	150-003-22-Y-4	150-003-22-Z-4
Fig. 2	1	150-004-22-N-1	150-004-22-W-1	150-004-22-X-1	150-004-22-Y-1	150-004-22-Z-1
Fig. 2	2	150-004-22-N-2	150-004-22-W-2	150-004-22-X-2	150-004-22-Y-2	150-004-22-Z-2
Fig. 2	3	150-004-22-N-3	150-004-22-W-3	150-004-22-X-3	150-004-22-Y-3	150-004-22-Z-3
Fig. 2	4	150-004-22-N-4	150-004-22-W-4	150-004-22-X-4	150-004-22-Y-4	150-004-22-Z-4

Low Smoke/Zero Halogen Cable Jacket

Add code “L” to the part number to specify LSZH jacket.

Example: 150-001L-22-1-1

All dimensions in millimeters (mm). Information subject to change without notice.

CAGE Code 06324

Printed in U.S.A.

CB Series Pigtail Cordsets, Overmolded

10 Pin Pigtail Cordset, #24 AWG Conductors

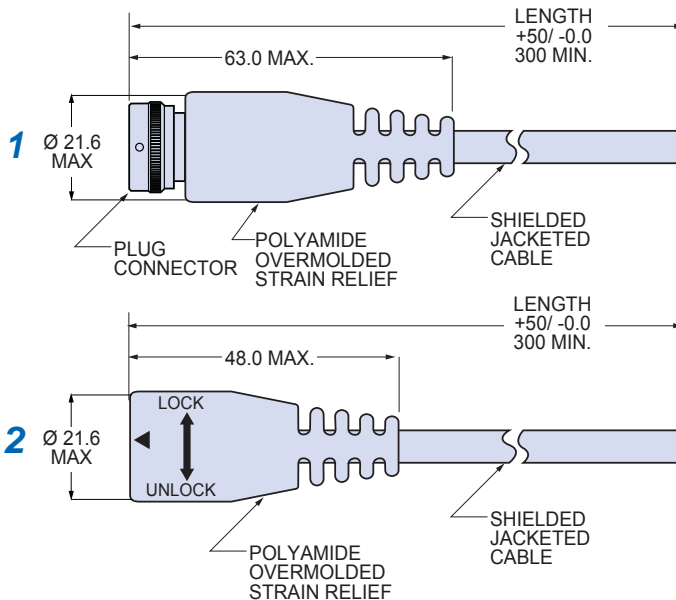


Style 1



Style 2

Fig.	Length Meters	Polarizing Position N (White)	Polarizing Position W (Blue)	Polarizing Position X (Violet)	Polarizing Position Y (Chrome Yel.)	Polarizing Position Z (Dark Red)
Fig. 1	1	150-003-24-N-1	150-003-24-W-1	150-003-24-X-1	150-003-24-Y-1	150-003-24-Z-1
Fig. 1	2	150-003-24-N-2	150-003-24-W-2	150-003-24-X-2	150-003-24-Y-2	150-003-24-Z-2
Fig. 1	3	150-003-24-N-3	150-003-24-W-3	150-003-24-X-3	150-003-24-Y-3	150-003-24-Z-3
Fig. 1	4	150-003-24-N-4	150-003-24-W-4	150-003-24-X-4	150-003-24-Y-4	150-003-24-Z-4
Fig. 2	1	150-004-24-N-1	150-004-24-W-1	150-004-24-X-1	150-004-24-Y-1	150-004-24-Z-1
Fig. 2	2	150-004-24-N-2	150-004-24-W-2	150-004-24-X-2	150-004-24-Y-2	150-004-24-Z-2
Fig. 2	3	150-004-24-N-3	150-004-24-W-3	150-004-24-X-3	150-004-24-Y-3	150-004-24-Z-3
Fig. 2	4	150-004-24-N-4	150-004-24-W-4	150-004-24-X-4	150-004-24-Y-4	150-004-24-Z-4



Low Smoke/Zero Halogen Cable Jacket
 Add code "L" to the part number to specify LSZH jacket.

Example: 150-001L-22-1-1

SPECIFICATIONS

Cable Jacket Material	Thermoplastic polyurethane, black, UL 94 V-0 rated
Cable Shield	Tin-coated copper braid, 90% minimum coverage
Conductors	Silver coated stranded wire, TFE insulated, per M22759/11, color-coded
BAND-IT ® Shield Termination Band	Stainless steel
Test Voltage (Dielectric Withstanding Voltage)	500 VAC RMS sea level, 100 VAC RMS 70,000 feet
Insulation Resistance	200 megohms minimum
Operating Temperature	-30° C. to +85° C.
Immersion	1 meter water immersion for 1 Hour per MIL-STD-810 Method 512
Solvent Resistance, Polyamide Overmold	Excellent resistance to most solvents, fuels, and oils; poor resistance to strong acids and bipolar solvents (alcohol)
Shielding Effectiveness	50 dB minimum from 100MHz to 1000MHz.
Flammability and Toxicity (LSZH Jacket)	Toxicity Index 3.9 per NES 713 Oxygen Index 28% per ASTM D-2863 Smoke Index 24 per NES 711

All dimensions in millimeters (mm). Information subject to change without notice.

CAGE Code 06324

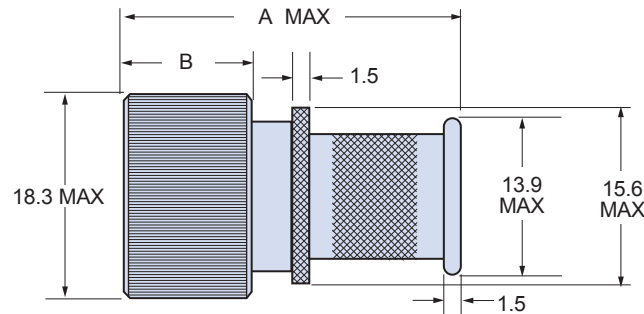
Printed in U.S.A.

Banding Adapter for Shielding and Overmolding

Black zinc plated aluminum alloy adapter fits all CB plugs and receptacles with M14 x 1 threads. Attach adapter to connector and fill with potting compound for wire protection and waterproofing. Attach shield and cable strength members to adapter with Glenair tool 600-061 using 3mm stainless steel **BAND-IT**® straps. Maximum weight 7 grams.



Description	Part Number	A	B
Banding Adapter (Plug)	P-CBBSBI-T	30.2	11.9
Banding Adapter (In-Line Receptacle)			
Banding Adapter (Jam Nut Receptacle)	R-CBBSBI-T	27.2	8.9



BAND-IT® Shield Termination System

Fast, cost-effective shield termination. Attach cable shields to Series 80 connectors or backshells with **BAND-IT**® stainless steel straps. The **BAND-IT**® system offers fast termination and the flexibility to handle a wide range of parts with just one band size. Approved for aerospace and defense, these straps have successfully passed rigorous shock, vibration and environmental testing.



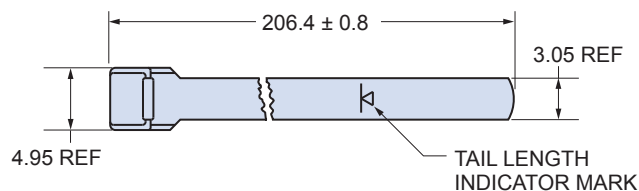
1 Micro Band Installation Tool. Use with 3.05 mm wide bands. 172 mm length, 0.6 Kg.

2 Micro Band, 3.05 mm wide. Available flat or pre-coiled. Stainless steel.

Figure	Description	Part Number
1	Micro Band Installation Tool	600-061

Figure	Length in.	Part Number	Accommodates Maximum Diameter
2	8.125 206.38	Flat	22.3
		Pre-Coiled	
		600-057	600-057-1

Contact Glenair or visit our website (glenair.com) to view our complete line of **BAND-IT**® products, including pneumatic tools for high volume production and calibration kits.



All dimensions in millimeters (mm). Information subject to change without notice.
CAGE Code 06324

Heat Shrinkable Boots



Protect Your Cable Harness with semi-rigid heat-shrinkable boots. These easy-to-use boots provide excellent electrical, mechanical and environmental protection. Made from flame-retardant elastomeric material, these adhesive-lined boots are resistant to high temperature and chemicals. Heating the boot causes the boot to shrink onto the connector and cable. An adhesive lining bonds the boot to the connector and cable and fills small gaps for a complete seal. Choose straight cable exit or right angle exit.

Style 1



Style 2

1 Straight boot, adhesive-lined. Fits all CB Series PogoPin connectors.

2 Right angle boot for 90° cable exit. Fits all CB Series PogoPin Connectors.

SPECIFICATIONS

Standard Material Fluid resistant cross-linked elastomer per VG95343 Part 6

Low Toxicity Material Fluid resistant cross-linked elastomer per NAVSEA 5617649

Adhesive Polyamide hot melt

Min. Shrink Temperature +135°C

Installation Temperature +175°C.

Temperature Range -55°C to +105°C

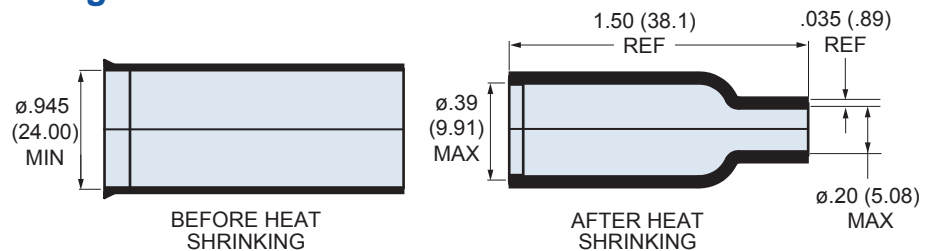
Solvent Resistance Saline – Excellent
Hydraulic Fluid – Very Good
Lubricating Oil – Very Good
Aviation Fuel – Very Good
Gasoline – Very Good
Diesel – Fair
De-Icing Fluid – Excellent

Flammability Self-extinguishing

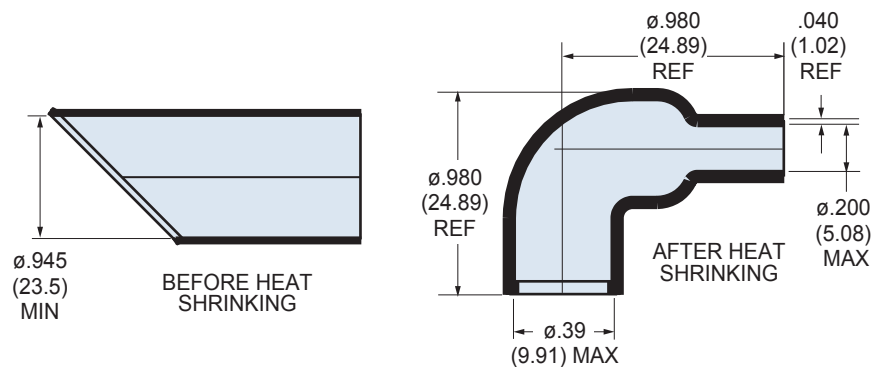
Dielectric Strength 480 V/mil

Figure	Configuration	Fluid Resistant Elastomer	Low-Smoke Zero Halogen
1	Straight	809S060-3	809S060-3H
2	Right Angle	809A060-3	809A060-3H

Straight Boot Dimensions



Right Angle Boot Dimensions



All dimensions in millimeters (mm). Information subject to change without notice.

PG Thread Adapter



PG Adapter



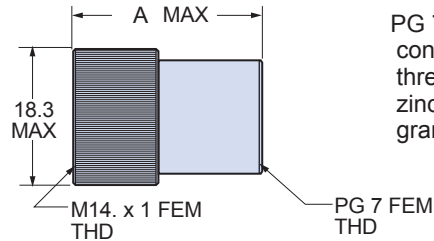
PG Adapter with Flexible Cordgrip



PG Adapter with Flexible Cordgrip, with CB Plug and Jacketed Cable

PG thread adapters fit all CB Series connectors with M14 x 1 accessory threads. These adapters accept all standard PG 7 liquid tight cordgrips.

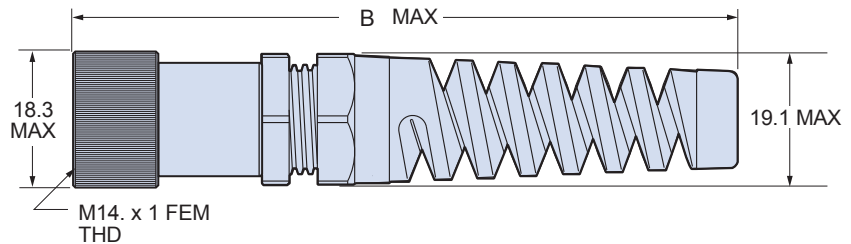
Style 1



PG 7 adapter fits all CB Series connectors with M14 x 1 accessory thread. Aluminum alloy with black zinc plating. Maximum weight 6 grams.

Description	Part Number	A
Banding Adapter (Plug)	P-CBBSPG7-T	26.0
Banding Adapter (In-Line Receptacle)		
Banding Adapter (Jam Nut Receptacle)	R-CBBSPG7-T	23.0

Style 2



PG 7 adapter with liquid tight flexible cordgrip. Adapter fits all CB Series connectors with M14 x 1 accessory thread. Aluminum alloy with black zinc plating. Cordgrip is 6/6 nylon with thermoplastic elastomeric sealing gland. Fits cable diameter 3.5mm to 7mm. Supplied with nitrile O-ring for adapter-to-cordgrip seal. Maximum weight 15 grams.

Description	Part Number	B
Banding Adapter (Plug)	P-CBBSPG7CD-T	86.4
Banding Adapter (In-Line Receptacle)		
Banding Adapter (Jam Nut Receptacle)	R-CBBSPG7CD-T	83.4

Jam Nut Tightening Tool



Nickel-plated steel tightening tool fits jam nut receptacles. Fits 3/8 inch drive torque wrench. 18.5mm diameter, 25.4 mm length, 23 grams.

Part Number
600-146-04

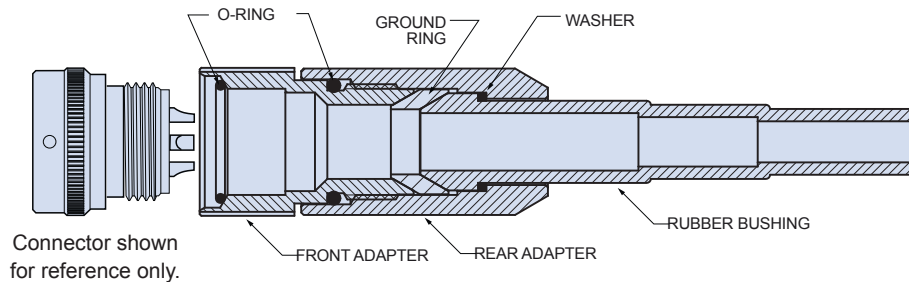
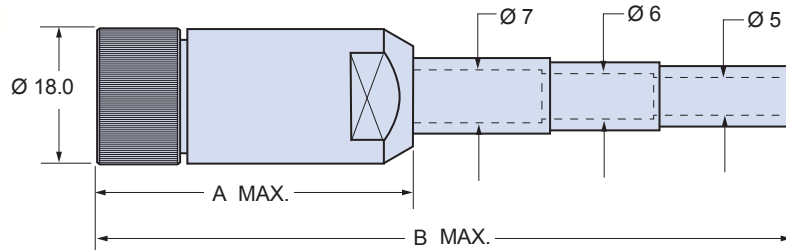
Recommended installation torque: 6-7 N-m.

Shielded Backshell with Flexible Rubber Bushing



Black zinc plated aluminum alloy backshell fits CB Series connectors with M14 x 1 threads. Black nitrile bushing provides flexible cable strain relief and cable sealing. Cut tapered bushing to fit varying cable diameters. Supplied unassembled with two O-rings and aluminum alloy ground ring. Maximum weight 15 grams.

Description	Part Number	A	B
Shielded Backshell (Plug)	P-CBBS-E1	43.0	90.0
Shielded Backshell (In-Line Receptacle)	R-CBBS-E1	40.0	87.0

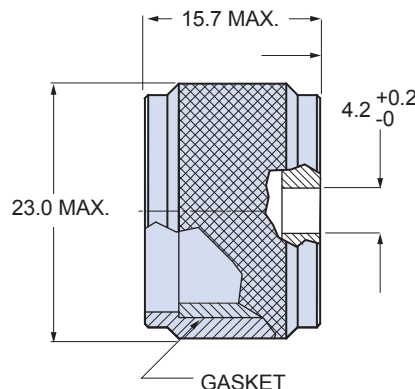


Dummy Receptacle for CB Series Plugs

Attach dummy receptacle to panel or chassis with M4 screw (not supplied). Aluminum alloy, black zinc plated. Resilient gasket holds plug in place. Maximum weight 7 grams.



Part Number
CBCAP-Z6

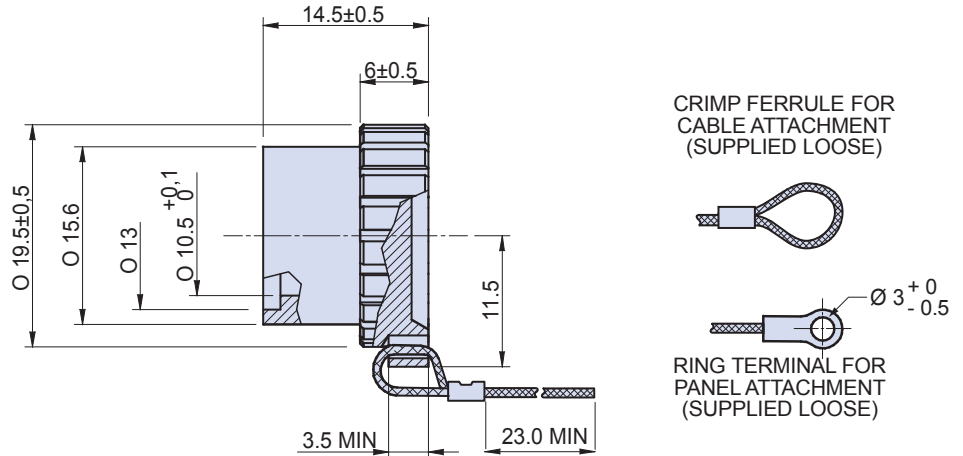


Rubber Protective Cover for CB Series Receptacles



Black nitrile rubber cover fits all CB Series receptacles including shrouded versions. Tight friction fit prevents water ingress to unmated connector. Supplied with nylon rope, ring terminal and ferrule. Terminal and ferrule are supplied unassembled. Attach to panel with ring terminal, or attach to cable with crimp ferrule. Use standard crimp tools for installation. Maximum weight 5 grams.

Part Number
VG96934Z4

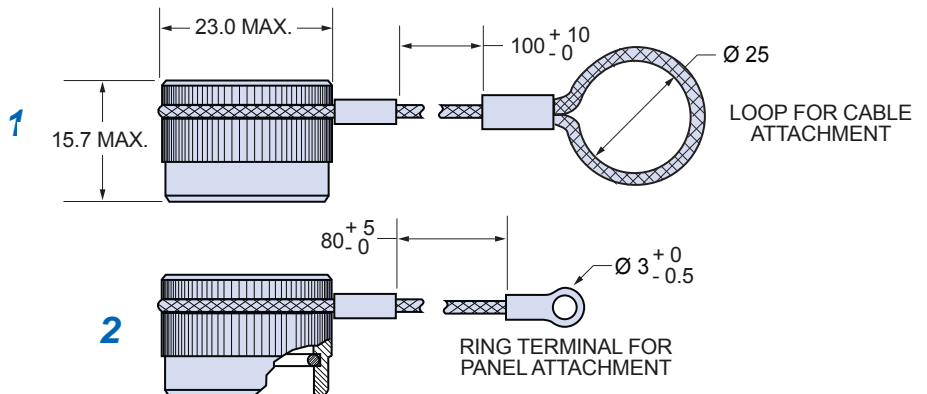


Protective Cover for CB Series Plugs



Watertight aluminum alloy cover protects CB Series plugs from damage when unmated. Black zinc plated. O-ring holds cover in place. Supplied with nylon rope, with ring terminal or loop. Attach with ring terminal, or attach to cable with loop. Maximum weight 7 grams.

Figure	Configuration	Part Number
1	25 mm Loop	CBA10Z6
2	Ring Terminal	CBA10Z3



VG95351 and VG96934 Qualified Products

About The VG Specifications

The German Federal Office of Defense Technology and Procurement (BWB) establishes procurement standards for defense items not covered by commercial specifications. VG standards are established by the Deutsches Institut für Normung (DIN). These standards are widely used in European and North American defense programs. Like their U.S. military specification counterparts, these VG specs require rigorous qualification testing in order to guarantee performance and interchangeability.

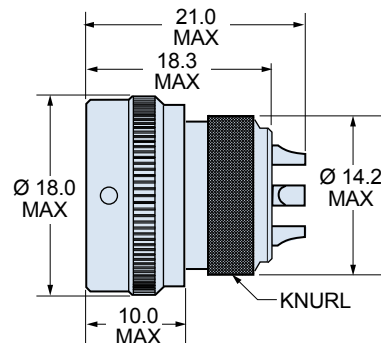
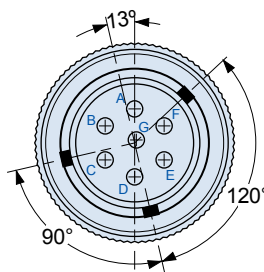
Which VG Spec is Preferred?

VG96934 covers the ten pin connector and is the preferred version for new applications. Choose the 10 pin connector per VG96934 if shielding is a requirement, or printed circuit tail contacts are required, or if the connector should be furnished with a backshell. These options are not available on the 7 pin connector covered by VG95351. Both the seven pin and the ten pin connector share identical external dimensions. VG95351 does not have provisions for alternate key positions. If keyed connectors are necessary, then use VG96934 ten pin connectors, or instead specify the appropriate Glenair CB Series connector.

VG 95351 SEVEN POLE CONNECTORS AND ACCESSORIES

VG PART NUMBER	GLENAIR PART NUMBER	CONFIGURATION	DESCRIPTION	PAGE
VG95351A7	CB07A1L0		Cable Plug For use with heatshrink boot	Page 27
VG95351B7	CB07B1L0		Flange Mount Receptacle for panel mounting	Page 27 Panel cutout page 13
VG95351C7	CB07C1L0		Jam Nut Receptacle for rear panel mounting	Page 27 Panel cutout page 13
VG95351D7	CB07D1L0		In-Line Receptacle for free-hanging cables	Page 28
VG95351E7	CB07Q1L0		Thread-In Panel Mount Receptacle with PG9 thread	Page 28 Panel cutout page 13
VG95351Z1	CBGK-B		Elastomeric Gasket for use with Style B flange mount receptacle	Page 28
VG95351Z2	CBOR-B		O-Ring for use with Style B flange mount connector	Page 28

VG95351 STYLE A: PLUG

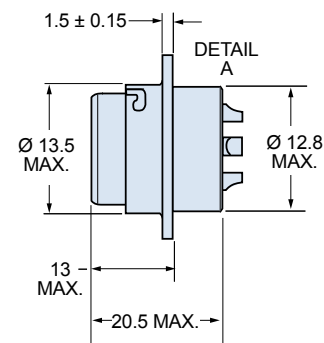
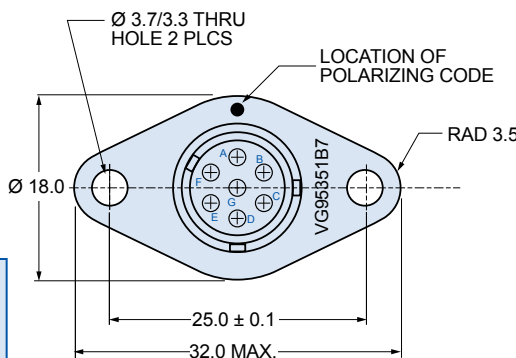
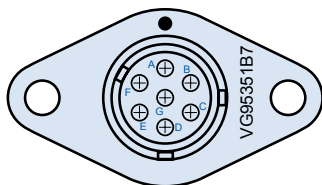


VG95351 A7

7 pin cable plug with solder cup contacts. Knurled platform for attachment of heatshrink boot for watertight seal. Maximum weight 7 grams.

VG Part Number	Glenair Part no.
VG95351A7	CB07A1L0

VG95351 STYLE B: FLANGE MOUNT RECEPTACLE

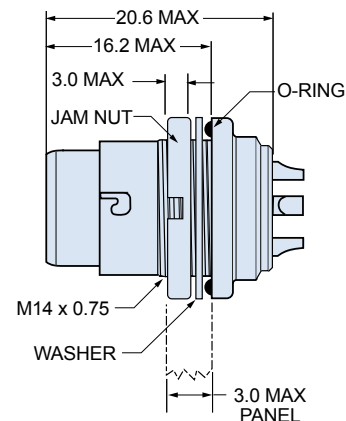
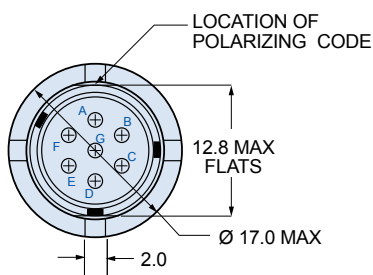


VG95351 B7

7 pin flange mount receptacle with solder cup contacts. Maximum weight 16 grams.

VG Part Number	Glenair Part no.
VG95351B7	CB07B1L0

VG95351 STYLE C: JAM NUT MOUNT RECEPTACLE



VG95351 C7

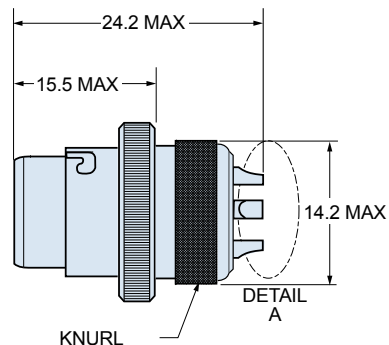
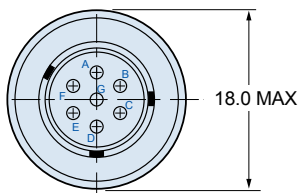
7 pin jam nut mount receptacle with solder cup contacts. Maximum weight 13 grams.

VG Part Number	Glenair Part no.
VG95351C7	CB07C1L0

VG95351 STYLE D: IN-LINE RECEPTACLE



Shown with heatshrink boot purchased separately.

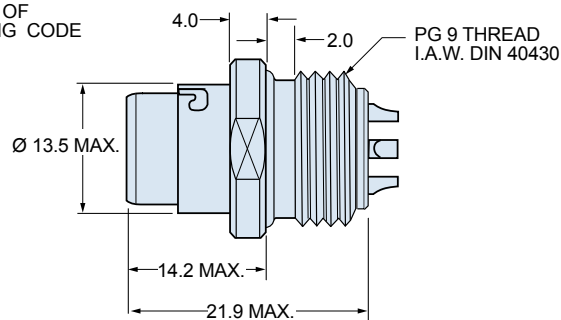
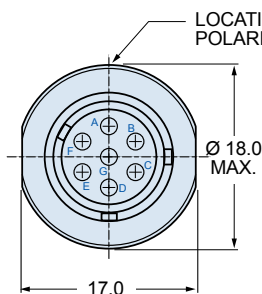


VG95351 D7

7 pin in-line receptacle with solder cup contacts. Maximum weight 16 grams.

VG Part Number	Glenair Part no.
VG95351D7	CB07D1L0

VG95351 STYLE E: THREADED-IN PANEL MOUNT RECEPTACLE

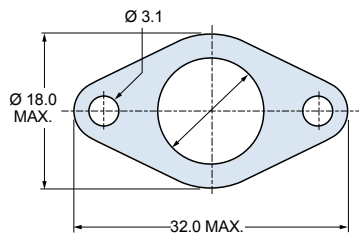


VG95351 E7

7 pin panel mount receptacle with PG9 thread and solder cup pins. Maximum weight 16 grams.

VG Part Number	Glenair Part no.
VG95351E7	CB07Q1L0

VG95351 STYLE Z1: GASKET

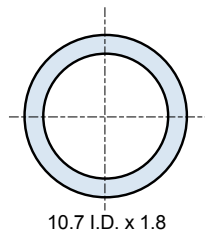


VG95351 Z1

Gasket for use with VG95351 Style B connector. Nitrile rubber. Maximum weight 3 grams.

VG Part Number	Glenair Part no.
VG95351Z1	CBGK-B

VG95351 STYLE Z2: O-RING



VG95351 Z2

O-ring for use with VG95351 Style B connector. Nitrile rubber. Maximum weight 2 grams.

VG Part Number	Glenair Part no.
VG95351Z2	CBOR-B

VG96934 TEN PIN CONNECTORS AND ACCESSORIES

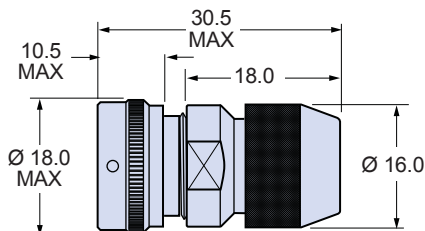
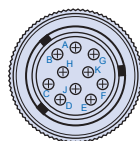
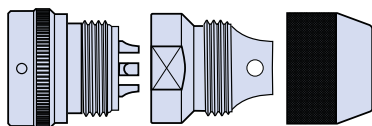
VG96934 STYLE	CONFIGURATION	DESCRIPTION	PAGE
STYLE A		Cable plug with two piece shielded backshell	Page 30
STYLE B		Flange mount receptacle	Page 30
STYLE C		Jam nut receptacle	Page 31
STYLE D		Unshrouded in-line receptacle with two piece shielded backshell	Page 31
STYLE E		Panel mount plug with M14 x 1 rear thread	Page 32
STYLE F		Panel mount plug with flange	Page 33
STYLE J		Plug with two piece shielded backshell	Page 33
STYLE K		Shrouded receptacle with two piece shielded backshell	Page 34
STYLE L		Plug with shielded environmental backshell and rubber strain relief	Page 34
STYLE M		Shrouded receptacle with shielded environmental backshell and rubber strain relief	Page 35
STYLE N		Shrouded receptacle with two piece shielded backshell	Page 35
STYLE Z2		O-ring for use with Style B and F	Page 36
STYLE Z3		Aluminum plug cover for Styles A, E, F, J and L.	Page 36
STYLE Z4		Rubber cover for receptacles	Page 36
STYLE Z6		Dummy storage receptacle	Page 37

VG96934 STYLE A: CABLE PLUG WITH SHIELDED BACKSHELL

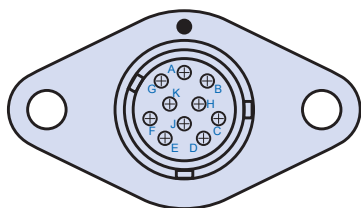


VG96934A10*L0
 10 pin cable plug with two piece shielded backshell. Requires heatshrink boot for watertight seal. **Not for new design.** Replaced by Style J. Maximum weight 11 grams.

Key Pos.	VG Part Number	Glenair Part no.
N	VG96934A10NL0	CB10A1L0
W	VG96934A10WL0	CB10A2L0
X	VG96934A10XL0	CB10A3L0
Y	VG96934A10YL0	CB10A4L0
Z	VG96934A10ZL0	CB10A5L0



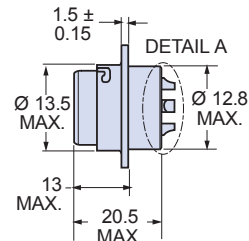
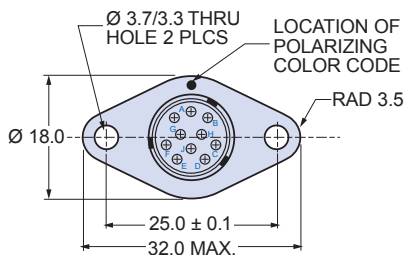
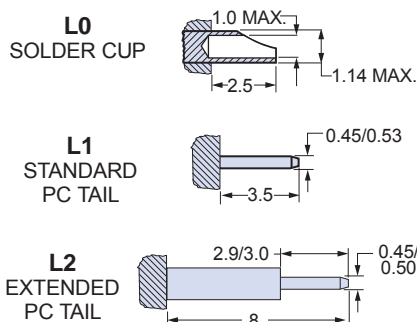
VG96934 STYLE B: FLANGE MOUNT RECEPTACLE



Terminal Style	Key Pos.	VG Part Number	Glenair Part no.
L0 Solder Cup	N	VG96934B10NL0	CB10B1L0
	W	VG96934B10WL0	CB10B2L0
	X	VG96934B10XL0	CB10B3L0
	Y	VG96934B10YL0	CB10B4L0
	Z	VG96934B10ZL0	CB10B5L0
L1 Standard PC Tail	N	VG96934B10NL1	CB10B1L1
	W	VG96934B10WL1	CB10B2L1
	X	VG96934B10XL1	CB10B3L1
	Y	VG96934B10YL1	CB10B4L1
	Z	VG96934B10ZL1	CB10B5L1
L2 Extended PC Tail	N	VG96934B10NL2	CB10B1L2
	W	VG96934B10WL2	CB10B2L2
	X	VG96934B10XL2	CB10B3L2
	Y	VG96934B10YL2	CB10B4L2
	Z	VG96934B10ZL2	CB10B5L2

VG96934B10*L*
 10 pin receptacle with panel mounting flange. Maximum weight 19 grams.

Detail A Terminal Styles



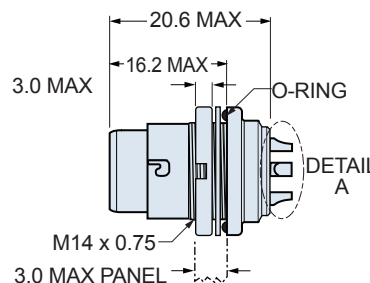
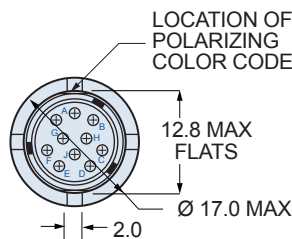
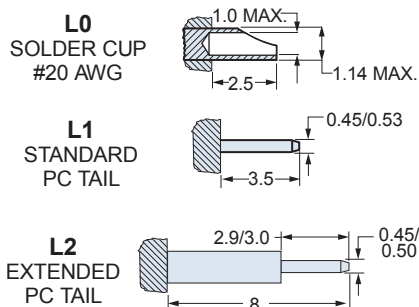
VG96934 STYLE C: JAM NUT MOUNT RECEPTACLE



VG96934C10*L*
10 pin jam nut receptacle for rear panel mounting. Maximum weight 11 grams. Stainless steel shell with black chrome.

Terminal Style	Key Pos.	VG Part Number	Glenair Part no.
L0 Solder Cup	N	VG96934C10NL0	CB10C1L0
	W	VG96934C10WL0	CB10C2L0
	X	VG96934C10XL0	CB10C3L0
	Y	VG96934C10YL0	CB10C4L0
	Z	VG96934C10ZL0	CB10C5L0
L1 Standard PC Tail	N	VG96934C10NL1	CB10C1L1
	W	VG96934C10WL1	CB10C2L1
	X	VG96934C10XL1	CB10C3L1
	Y	VG96934C10YL1	CB10C4L1
	Z	VG96934C10ZL1	CB10C5L1
L2 Extended PC Tail	N	VG96934C10NL2	CB10C1L2
	W	VG96934C10WL2	CB10C2L2
	X	VG96934C10XL2	CB10C3L2
	Y	VG96934C10YL2	CB10C4L2
	Z	VG96934C10ZL2	CB10C5L2

Detail A Terminal Styles

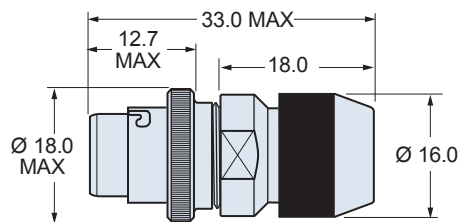
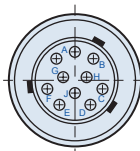
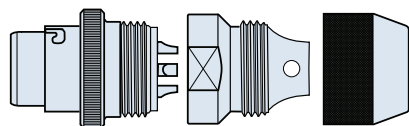


VG96934 STYLE D: UNSHROUDED IN-LINE RECEPTACLE WITH BACKSHELL

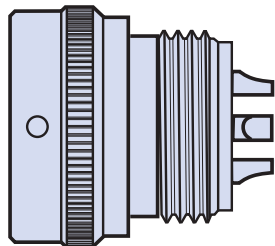


VG96934D10*L0
10 pin in-line unshrouded receptacle with two piece shielded aluminum backshell. 6 mm cable entry. Black zinc plating. *Not for new design.* Replaced by Style K. Maximum weight 15 grams.

Key Pos.	VG Part Number	Glenair Part no.
N	VG96934D10NL0	CB10D1L0
W	VG96934D10WL0	CB10D2L0
X	VG96934D10XL0	CB10D3L0
Y	VG96934D10YL0	CB10D4L0
Z	VG96934D10ZL0	CB10D5L0



VG96934 STYLE E: PANEL MOUNT PLUG

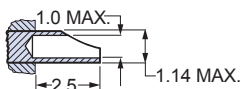


Terminal Style	Key Pos.	VG Part Number	Glenair Part no.
L0 Solder Cup	N	VG96934E10NL0	CB10E1L0
	W	VG96934E10WL0	CB10E2L0
	X	VG96934E10XL0	CB10E3L0
	Y	VG96934E10YL0	CB10E4L0
	Z	VG96934E10ZL0	CB10E5L0
L1 Standard PC Tail	N	VG96934E10NL1	CB10E1L1
	W	VG96934E10WL1	CB10E2L1
	X	VG96934E10XL1	CB10E3L1
	Y	VG96934E10YL1	CB10E4L1
	Z	VG96934E10ZL1	CB10E5L1
L2 Extended PC Tail	N	VG96934E10NL2	CB10E1L2
	W	VG96934E10WL2	CB10E2L2
	X	VG96934E10XL2	CB10E3L2
	Y	VG96934E10YL2	CB10E4L2
	Z	VG96934E10ZL2	CB10E5L2

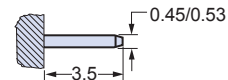
VG96934E10*L*
10 pin plug with M14 x 1 rear thread for use with accessories, or for installation into tapped panel. Maximum weight 7 grams.

Detail A Terminal Styles

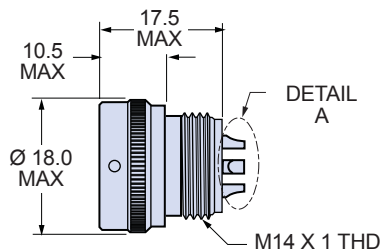
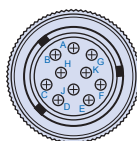
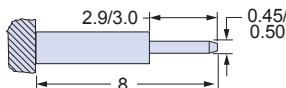
L0
SOLDER CUP
#20 AWG



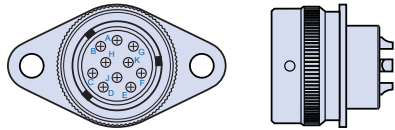
L1
STANDARD
PC TAIL



L2
EXTENDED
PC TAIL



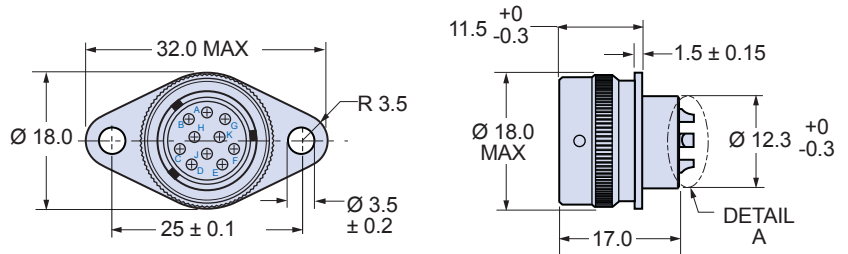
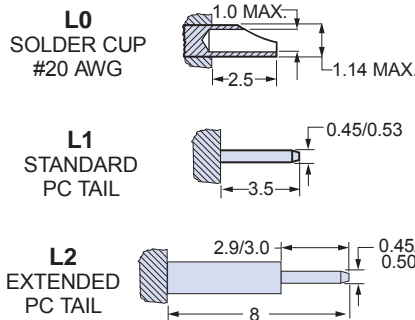
VG96934 STYLE F: FLANGE MOUNT PLUG



Terminal Style	Key Pos.	VG Part Number	Glenair Part no.
L0 Solder Cup	N	VG96934F10NL0	CB10F1L0
	W	VG96934F10WL0	CB10F2L0
	X	VG96934F10XL0	CB10F3L0
	Y	VG96934F10YL0	CB10F4L0
	Z	VG96934F10ZL0	CB10F5L0
L1 Standard PC Tail	N	VG96934F10NL1	CB10F1L1
	W	VG96934F10WL1	CB10F2L1
	X	VG96934F10XL1	CB10F3L1
	Y	VG96934F10YL1	CB10F4L1
	Z	VG96934F10ZL1	CB10F5L1
L2 Extended PC Tail	N	VG96934F10NL2	CB10F1L2
	W	VG96934F10WL2	CB10F2L2
	X	VG96934F10XL2	CB10F3L2
	Y	VG96934F10YL2	CB10F4L2
	Z	VG96934F10ZL2	CB10F5L2

VG96934F10*L*
10 pin plug with panel mounting flange.
Maximum weight 19 grams.

Detail A Terminal Styles

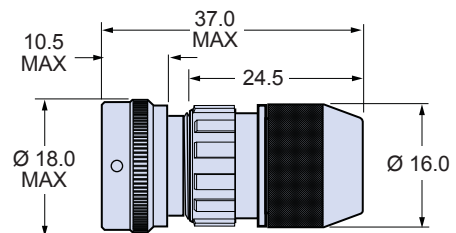
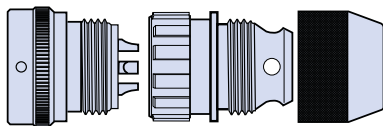


VG96934 STYLE J: PLUG WITH EMI BACKSHELL



VG96934J10*L0
10 pin plug with two piece shielded aluminum backshell. 9 mm cable entry. Black zinc plating. Add heat shrink boot for water ingress protection.

Key Pos.	VG Part Number	Glenair Part no.
N	VG96934J10NL0	CB10J1L0
W	VG96934J10WL0	CB10J2L0
X	VG96934J10XL0	CB10J3L0
Y	VG96934J10YL0	CB10J4L0
Z	VG96934J10ZL0	CB10J5L0

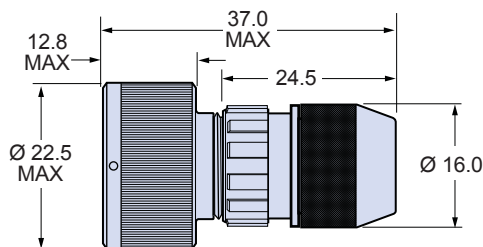
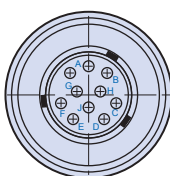
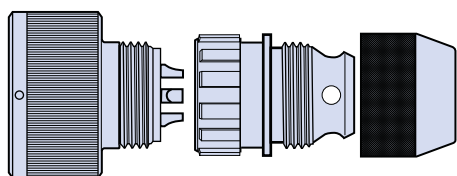


VG96934 STYLE K: SHROUDED RECEPTACLE WITH BACKSHELL



VG96934K10*L0
10 pin shrouded receptacle with two piece shielded aluminum backshell. 9 mm cable entry. Black zinc plating. Add heat shrink boot for water ingress protection. Maximum weight 19 grams.

Key Pos.	VG Part Number	Glenair Part no.
N	VG96934K10NL0	CB10K1L0
W	VG96934K10WL0	CB10K2L0
X	VG96934K10XL0	CB10K3L0
Y	VG96934K10YL0	CB10K4L0
Z	VG96934K10ZL0	CB10K5L0



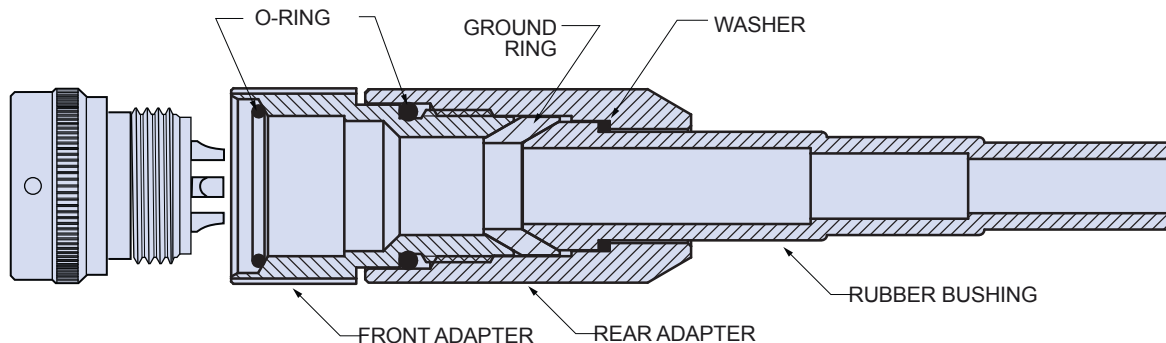
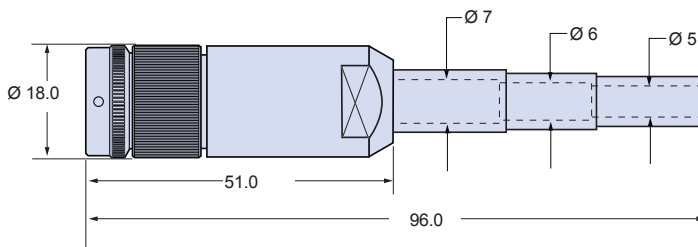
VG96934 STYLE L: PLUG WITH BACKSHELL AND RUBBER BUSHING



VG96934L10*L0
10 pin plug with two piece shielded aluminum backshell. Black zinc plating. Supplied with two O-rings, EMI ground ring and rubber bushing. Maximum weight 25 grams.

Key Pos.	VG Part Number	Glenair Part no.
N	VG96934L10NL0	CB10L1L0
W	VG96934L10WL0	CB10L2L0
X	VG96934L10XL0	CB10L3L0
Y	VG96934L10YL0	CB10L4L0
Z	VG96934L10ZL0	CB10L5L0

Material and Finish
O-Ring: Nitrile Rubber
Adapters and Ground Ring: Aluminum Alloy, Black Zinc Cobalt Finish
Bushing: Neoprene Rubber.



VG96934 STYLE M: SHROUDED RECEPTACLE WITH BACKSHELL AND BUSHING

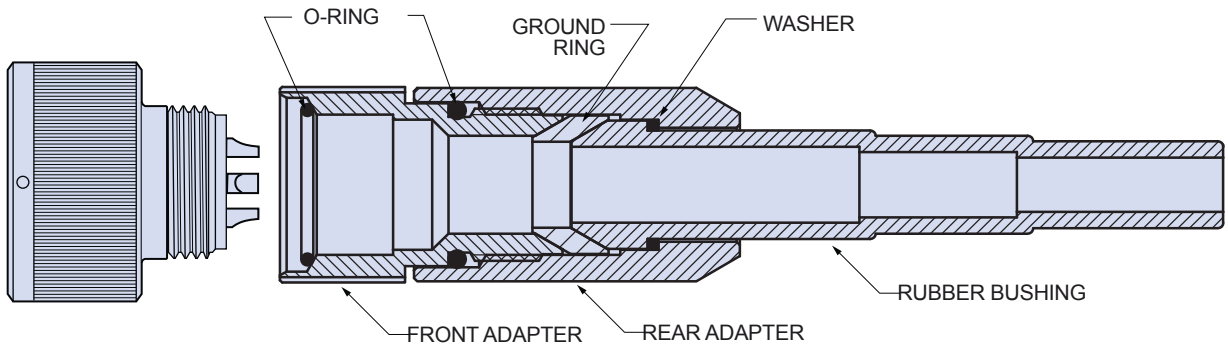
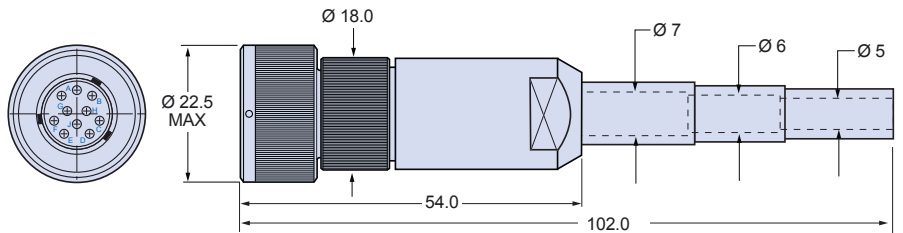


VG96934M10*L0

10 pin shrouded receptacle with two piece shielded aluminum backshell. Black zinc plating. Supplied with two O-rings, EMI ground ring and rubber bushing. Maximum weight 30 grams.

Key Pos.	VG Part Number	Glenair Part no.
N	VG96934M10NL0	CB10M1L0
W	VG96934M10WL0	CB10M2L0
X	VG96934M10XL0	CB10M3L0
Y	VG96934M10YL0	CB10M4L0
Z	VG96934M10ZL0	CB10M5L0

Material and Finish
 O-Ring: Nitrile Rubber
 Adapters and Ground Ring: Aluminum Alloy, Black Zinc Cobalt Finish
 Bushing: Neoprene Rubber



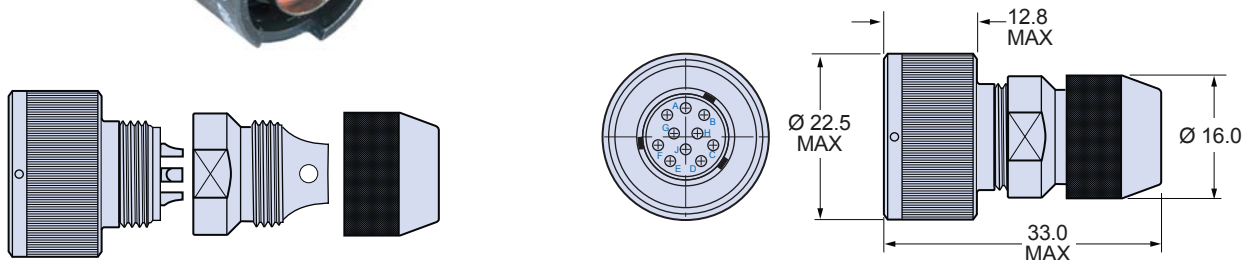
VG96934 STYLE N: IN-LINE RECEPTACLE WITH SHIELDED BACKSHELL



VG96934N10*L0

10 pin shrouded receptacle with two piece shielded aluminum backshell. 9 mm cable entry. Black zinc plating. Add heat shrink boot for water ingress protection. Maximum weight 18 grams.

Key Pos.	VG Part Number	Glenair Part no.
N	VG96934N10NL0	CB10N1L0
W	VG96934N10WL0	CB10N2L0
X	VG96934N10XL0	CB10N3L0
Y	VG96934N10YL0	CB10N4L0
Z	VG96934N10ZL0	CB10N5L0



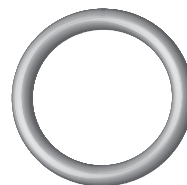
VG96934 STYLE Z2: O-RING



VG96934Z2
Nitrile O-ring for use with connector style B and F

VG Part Number
VG96934Z2

Glenair Part no.
CBOR-B



Material

O-Ring: Nitrile Rubber

VG96934 STYLE Z3: ALUMINUM PROTECTIVE COVER



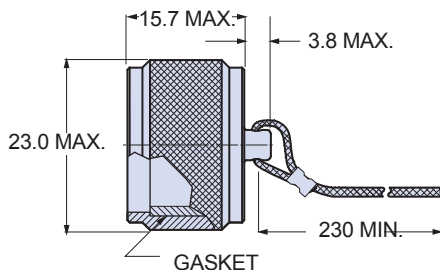
VG96934Z3
Aluminum alloy protective cover, with crimp ferrule and ring terminal. Fits plug Styles A, E,F, J, and L. Maximum weight 8 grams.

VG Part Number
VG96934Z3

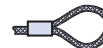
Glenair Part no.
CBCAP-Z3

Material and Finish

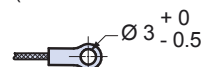
Cover: Aluminum Alloy, Black Zinc-Cobalt Plating
Cord: Nylon
Ferrule and Ring: Stainless steel, Black Oxide Finish



CRIMP FERRULE FOR CABLE ATTACHMENT (SUPPLIED LOOSE)



RING TERMINAL FOR PANEL ATTACHMENT (SUPPLIED LOOSE)



VG96934 STYLE Z4: RUBBER PROTECTIVE COVER



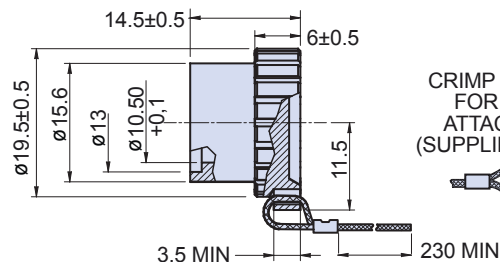
VG96934Z4
Nitrile rubber protective cover supplied with crimp ferrule and ring terminal. Fits all receptacles. Maximum weight 5 grams.

VG Part Number
VG96934Z4

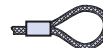
Glenair Part no.
VG96934Z4

Materials

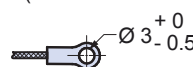
Cover: Nitrile Rubber
Cord: Nylon
Ferrule and Ring: Stainless steel, Black Oxide Finish



CRIMP FERRULE FOR CABLE ATTACHMENT (SUPPLIED LOOSE)



RING TERMINAL FOR PANEL ATTACHMENT (SUPPLIED LOOSE)



VG96934 STYLE Z6: PANEL MOUNT DUMMY STORAGE RECEPTACLE

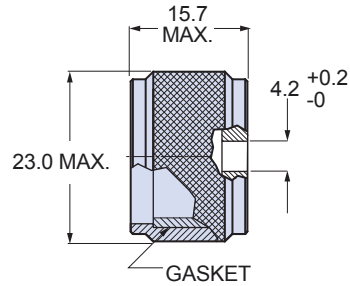


VG96934Z6
 Dummy receptacle mounts to panel with screw and provides protection to unused plugs.

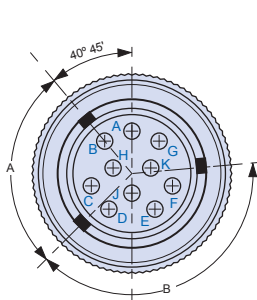
VG Part Number
VG96934Z6

Glenair Part no.
CBCAP-Z6

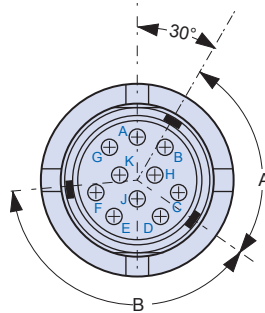
Material and Finish
 Cover: Aluminum Alloy, Black Zinc Cobalt finish
 Gasket: Silicone rubber



VG96934 KEY POSITIONS AND CONTACT ARRANGEMENTS



Plug

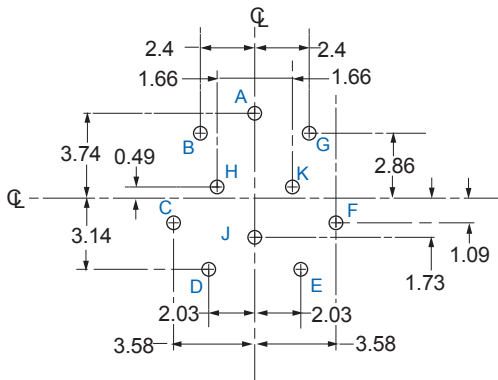


Receptacle

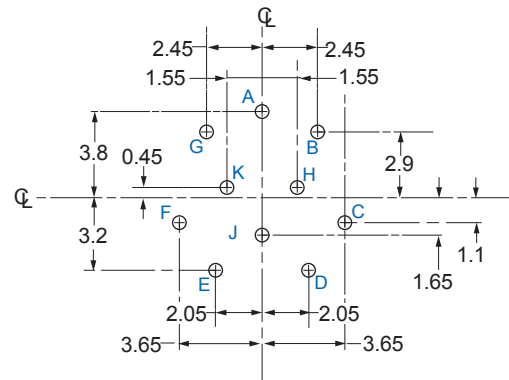
Position	A	B	Color Code
N	95°	140°	White
W	85°	115°	Blue
X	100°	105°	Violet
Y	110°	120°	Chrome Yellow
Z	80°	145°	Dark Red

Key Positions

VG96934 PRINTED CIRCUIT BOARD ARRANGEMENTS

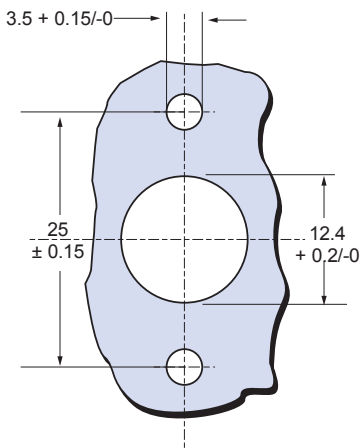


VG96934 Styles E and F
 Panel Mount Plug

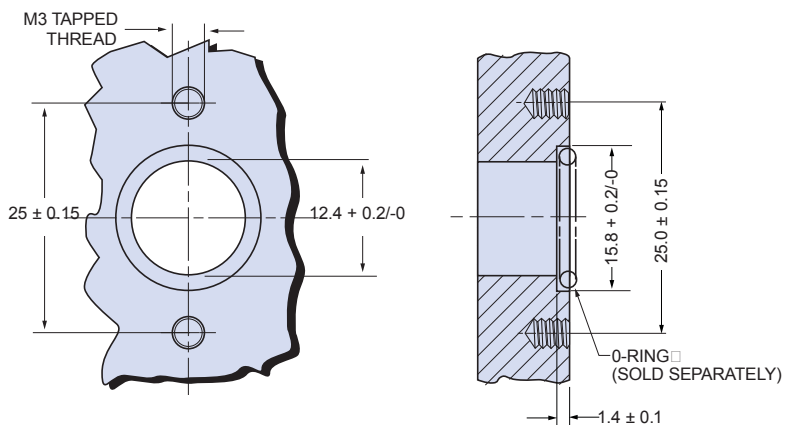


VG96934 Styles B and C
 Panel Mount Receptacle

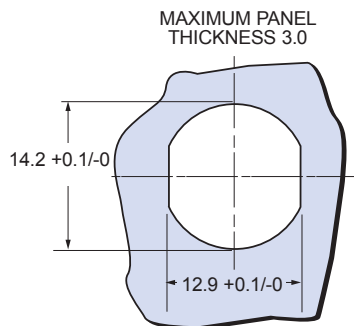
VG96934 PANEL CUTOUTS



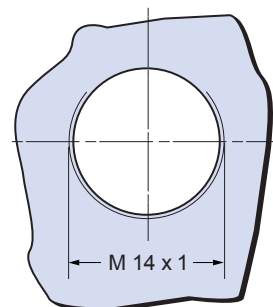
1 Panel cutout for Style B and F without O-ring.



2 Panel cutout for Style B and F with O-ring VG96934Z2.



3 Panel cutout for Style C



4 Panel cutout for Style E

PART NUMBER INDEX

150-001-22-1-1.....	19	150-002-24-2-3.....	19	150-004-22-W-1.....	19
150-001-22-1-2.....	19	150-002-24-2-4.....	19	150-004-22-W-2.....	19
150-001-22-1-3.....	19	150-002-24-3-1.....	19	150-004-22-W-3.....	19
150-001-22-1-4.....	19	150-002-24-3-2.....	19	150-004-22-W-4.....	19
150-001-22-2-1.....	19	150-002-24-3-3.....	19	150-004-22-X-1.....	19
150-001-22-2-2.....	19	150-002-24-3-4.....	19	150-004-22-X-2.....	19
150-001-22-2-3.....	19	150-002-24-4-1.....	19	150-004-22-X-3.....	19
150-001-22-2-4.....	19	150-002-24-4-2.....	19	150-004-22-X-4.....	19
150-001-22-3-1.....	19	150-002-24-4-3.....	19	150-004-22-Y-1.....	19
150-001-22-3-2.....	19	150-002-24-4-4.....	19	150-004-22-Y-2.....	19
150-001-22-3-3.....	19	150-003-22-N-1.....	19	150-004-22-Y-3.....	19
150-001-22-3-4.....	19	150-003-22-N-2.....	19	150-004-22-Y-4.....	19
150-001-22-4-1.....	19	150-003-22-N-3.....	19	150-004-22-Z-1.....	19
150-001-22-4-2.....	19	150-003-22-N-4.....	19	150-004-22-Z-2.....	19
150-001-22-4-3.....	19	150-003-22-W-1.....	19	150-004-22-Z-3.....	19
150-001-22-4-4.....	19	150-003-22-W-2.....	19	150-004-22-Z-4.....	19
150-001-24-1-1.....	19	150-003-22-W-3.....	19	150-004-24-N-1.....	20
150-001-24-1-2.....	19	150-003-22-W-4.....	19	150-004-24-N-2.....	20
150-001-24-1-3.....	19	150-003-22-X-1.....	19	150-004-24-N-3.....	20
150-001-24-1-4.....	19	150-003-22-X-2.....	19	150-004-24-N-4.....	20
150-001-24-2-1.....	19	150-003-22-X-3.....	19	150-004-24-W-1.....	20
150-001-24-2-2.....	19	150-003-22-X-4.....	19	150-004-24-W-2.....	20
150-001-24-2-3.....	19	150-003-22-Y-1.....	19	150-004-24-W-3.....	20
150-001-24-2-4.....	19	150-003-22-Y-2.....	19	150-004-24-W-4.....	20
150-001-24-3-1.....	19	150-003-22-Y-3.....	19	150-004-24-X-1.....	20
150-001-24-3-2.....	19	150-003-22-Y-4.....	19	150-004-24-X-2.....	20
150-001-24-3-3.....	19	150-003-22-Z-1.....	19	150-004-24-X-3.....	20
150-001-24-3-4.....	19	150-003-22-Z-2.....	19	150-004-24-X-4.....	20
150-001-24-4-1.....	19	150-003-22-Z-3.....	19	150-004-24-Y-1.....	20
150-001-24-4-2.....	19	150-003-22-Z-4.....	19	150-004-24-Y-2.....	20
150-001-24-4-3.....	19	150-003-24-N-1.....	20	150-004-24-Y-3.....	20
150-001-24-4-4.....	19	150-003-24-N-2.....	20	150-004-24-Y-4.....	20
150-002-22-1-1.....	19	150-003-24-N-3.....	20	150-004-24-Z-1.....	20
150-002-22-1-2.....	19	150-003-24-N-4.....	20	150-004-24-Z-2.....	20
150-002-22-1-3.....	19	150-003-24-W-1.....	20	150-004-24-Z-3.....	20
150-002-22-1-4.....	19	150-003-24-W-2.....	20	150-004-24-Z-4.....	20
150-002-22-2-1.....	19	150-003-24-W-3.....	20	600-057.....	21
150-002-22-2-2.....	19	150-003-24-W-4.....	20	600-057-1.....	21
150-002-22-2-3.....	19	150-003-24-X-1.....	20	600-061.....	21
150-002-22-2-4.....	19	150-003-24-X-2.....	20	600-146-04.....	23
150-002-22-3-1.....	19	150-003-24-X-3.....	20	809A060-3.....	22
150-002-22-3-2.....	19	150-003-24-X-4.....	20	809A060-3H.....	22
150-002-22-3-3.....	19	150-003-24-Y-1.....	20	809S060-3.....	22
150-002-22-3-4.....	19	150-003-24-Y-2.....	20	809S060-3H.....	22
150-002-22-4-1.....	19	150-003-24-Y-3.....	20	CB07A1L0.....	27
150-002-22-4-2.....	19	150-003-24-Y-4.....	20	CB07B1L0.....	10
150-002-22-4-3.....	19	150-003-24-Z-1.....	20	CB07B1L0.....	27
150-002-22-4-4.....	19	150-003-24-Z-2.....	20	CB07B1L1.....	10
150-002-24-1-1.....	19	150-003-24-Z-3.....	20	CB07B1L2.....	10
150-002-24-1-2.....	19	150-003-24-Z-4.....	20	CB07B2L0.....	10
150-002-24-1-3.....	19	150-004-22-N-1.....	19	CB07B2L1.....	10
150-002-24-1-4.....	19	150-004-22-N-2.....	19	CB07B2L2.....	10
150-002-24-2-1.....	19	150-004-22-N-3.....	19	CB07B3L0.....	10
150-002-24-2-2.....	19	150-004-22-N-4.....	19	CB07B3L1.....	10

All dimensions in millimeters (mm). Information subject to change without notice.
CAGE Code 06324

Printed in U.S.A.

PART NUMBER INDEX

CB07B3L2.....	10	CB10A4L0.....	30	CB10Q2L2.....	32
CB07B4L0.....	10	CB10A5L0.....	30	CB10Q3L0.....	9
CB07B4L1.....	10	CB10B1L0.....	30	CB10Q3L0.....	32
CB07B4L2.....	10	CB10B1L1.....	30	CB10Q3L1.....	32
CB07C1L0.....	10	CB10B1L2.....	30	CB10Q3L2.....	32
CB07C1L0.....	27	CB10B2L0.....	30	CB10Q4L0.....	9
CB07C1L1.....	10	CB10B2L1.....	30	CB10Q4L0.....	32
CB07C1L1F.....	18	CB10B2L2.....	30	CB10Q4L1.....	32
CB07C1L2.....	10	CB10B3L0.....	30	CB10Q4L2.....	32
CB07C2L0.....	10	CB10B3L1.....	30	CB10Q5L0.....	9
CB07C2L1.....	10	CB10B3L2.....	30	CB10Q5L0.....	32
CB07C2L1F.....	18	CB10B4L0.....	30	CB10Q5L1.....	32
CB07C2L2.....	10	CB10B4L1.....	30	CB10Q5L2.....	32
CB07C3L0.....	10	CB10B4L2.....	30	CB10F1L0.....	33
CB07C3L1.....	10	CB10B5L0.....	30	CB10F1L1.....	33
CB07C3L1F.....	18	CB10B5L1.....	30	CB10F1L2.....	33
CB07C3L2.....	10	CB10B5L2.....	30	CB10F2L0.....	33
CB07C4L0.....	10	CB10C1L0.....	31	CB10F2L1.....	33
CB07C4L1.....	10	CB10C1L1.....	31	CB10F2L2.....	33
CB07C4L1F.....	18	CB10C1L2.....	31	CB10F3L0.....	33
CB07C4L2.....	10	CB10C2L0.....	31	CB10F3L1.....	33
CB07D1L0.....	14	CB10C2L1.....	31	CB10F3L2.....	33
CB07D1L0.....	28	CB10C2L2.....	31	CB10F4L0.....	33
CB07D2L0.....	14	CB10C3L0.....	31	CB10F4L1.....	33
CB07D3L0.....	14	CB10C3L1.....	31	CB10F4L2.....	33
CB07D4L0.....	14	CB10C3L2.....	31	CB10F5L0.....	33
CB07Q1L0.....	10	CB10C4L0.....	31	CB10F5L1.....	33
CB07Q1L0.....	28	CB10C4L1.....	31	CB10F5L2.....	33
CB07Q1L1.....	10	CB10C4L2.....	31	CB10G1L0.....	9
CB07Q1L2.....	10	CB10C5L0.....	31	CB10G2L0.....	9
CB07Q2L0.....	10	CB10C5L1.....	31	CB10G3L0.....	9
CB07Q2L1.....	10	CB10C5L2.....	31	CB10G4L0.....	9
CB07Q2L2.....	10	CB10D1L0.....	14	CB10G5L0.....	9
CB07Q3L0.....	10	CB10D1L0.....	31	CB10J1L0.....	33
CB07Q3L1.....	10	CB10D2L0.....	14	CB10J2L0.....	33
CB07Q3L2.....	10	CB10D2L0.....	31	CB10J3L0.....	33
CB07Q4L0.....	10	CB10D3L0.....	14	CB10J4L0.....	33
CB07Q4L1.....	10	CB10D3L0.....	31	CB10J5L0.....	33
CB07Q4L2.....	10	CB10D4L0.....	14	CB10K1L0.....	34
CB07T1L0.....	10	CB10D4L0.....	31	CB10K1NLO0.....	14
CB07T1L1.....	10	CB10D5L0.....	14	CB10K2L0.....	34
CB07T1L2.....	10	CB10D5L0.....	31	CB10K2NLO0.....	14
CB07T2L0.....	10	CB10DF1L0.....	14	CB10K3L0.....	34
CB07T2L1.....	10	CB10DF2L0.....	14	CB10K3NLO0.....	14
CB07T2L2.....	10	CB10DF3L0.....	14	CB10K4L0.....	34
CB07T3L0.....	10	CB10DF4L0.....	14	CB10K4NLO0.....	14
CB07T3L1.....	10	CB10DF5L0.....	14	CB10K5L0.....	34
CB07T3L2.....	10	CB10Q1L0.....	9	CB10K5NLO0.....	14
CB07T4L0.....	10	CB10Q1L0.....	32	CB10KG1NLO0.....	14
CB07T4L1.....	10	CB10Q1L1.....	32	CB10KG2NLO0.....	14
CB07T4L2.....	10	CB10Q1L2.....	32	CB10KG3NLO0.....	14
CB10A1L0.....	30	CB10Q2L0.....	9	CB10KG4NLO0.....	14
CB10A2L0.....	30	CB10Q2L0.....	32	CB10KG5NLO0.....	14
CB10A3L0.....	30	CB10Q2L1.....	32	CB10L1L0.....	34

All dimensions in millimeters (mm). Information subject to change without notice.

PART NUMBER INDEX

CB10L2L0.....	34	VG95351Z2.....	28	VG96934E10ZL1.....	32
CB10L3L0.....	34	VG96934A10NLO.....	30	VG96934E10ZL2.....	32
CB10L4L0.....	34	VG96934A10WLO.....	30	VG96934F10NLO.....	33
CB10L5L0.....	34	VG96934A10XLO.....	30	VG96934F10NL1.....	33
CB10M1L0.....	35	VG96934A10YLO.....	30	VG96934F10NL2.....	33
CB10M2L0.....	35	VG96934A10ZLO.....	30	VG96934F10WLO.....	33
CB10M3L0.....	35	VG96934B10NLO.....	30	VG96934F10WL1.....	33
CB10M4L0.....	35	VG96934B10NL1.....	30	VG96934F10WL2.....	33
CB10M5L0.....	35	VG96934B10NL2.....	30	VG96934F10XLO.....	33
CB10N1L0.....	35	VG96934B10WLO.....	30	VG96934F10XL1.....	33
CB10N2L0.....	35	VG96934B10WL1.....	30	VG96934F10XL2.....	33
CB10N3L0.....	35	VG96934B10WL2.....	30	VG96934F10YL0.....	33
CB10N4L0.....	35	VG96934B10XLO.....	30	VG96934F10YL1.....	33
CB10N5L0.....	35	VG96934B10XL1.....	30	VG96934F10YL2.....	33
CBA10Z3.....	25	VG96934B10XL2.....	30	VG96934F10ZLO.....	33
CBA10Z6.....	25	VG96934B10YLO.....	30	VG96934F10ZL1.....	33
P-CBBSBI-T and R-CBBSBI-T.....	21	VG96934B10YL1.....	30	VG96934F10ZL2.....	33
P-CBBS-E1 and R-CBBS-E1.....	24	VG96934B10YL2.....	30	VG96934J10NLO.....	33
P-CBBSPG7-T and R-CBBSPG7-T.....	23	VG96934B10ZLO.....	30	VG96934J10WLO.....	33
P-CBBSPG7CD-T and R-CBBSPG7CD-T.....	23	VG96934B10ZL1.....	30	VG96934J10XLO.....	33
CBCAP-Z3.....	36	VG96934B10ZL2.....	30	VG96934J10YLO.....	33
CBCAP-Z6.....	24	VG96934C10NLO.....	31	VG96934J10ZLO.....	33
CBCAP-Z6.....	37	VG96934C10NL1.....	31	VG96934K10NLO.....	34
CBG07A1L0.....	9	VG96934C10NL2.....	31	VG96934K10WLO.....	34
CBG07A2L0.....	9	VG96934C10WLO.....	31	VG96934K10XLO.....	34
CBG07A3L0.....	9	VG96934C10WL1.....	31	VG96934K10YLO.....	34
CBG07A4L0.....	9	VG96934C10WL2.....	31	VG96934K10ZLO.....	34
CBGK-B.....	13	VG96934C10XLO.....	31	VG96934L10NLO.....	34
CBGK-B.....	28	VG96934C10XL1.....	31	VG96934L10WLO.....	34
CBGO7E1L0.....	9	VG96934C10XL2.....	31	VG96934L10XLO.....	34
CBGO7E2L0.....	9	VG96934C10YLO.....	31	VG96934L10YLO.....	34
CBGO7E3L0.....	9	VG96934C10YL1.....	31	VG96934L10ZLO.....	34
CBGO7E4L0.....	9	VG96934C10YL2.....	31	VG96934M10NLO.....	35
CBO7DF1L0.....	14	VG96934C10ZLO.....	31	VG96934M10WLO.....	35
CBO7DF2L0.....	14	VG96934C10ZL1.....	31	VG96934M10XLO.....	35
CBO7DF3L0.....	14	VG96934C10ZL2.....	31	VG96934M10YLO.....	35
CBO7DF4L0.....	14	VG96934D10NLO.....	31	VG96934M10ZLO.....	35
CBO7K1NL0N0.....	14	VG96934D10WLO.....	31	VG96934N10NLO.....	35
CBO7K2NL0N0.....	14	VG96934D10XLO.....	31	VG96934N10WLO.....	35
CBO7K3NL0N0.....	14	VG96934D10YLO.....	31	VG96934N10XLO.....	35
CBO7K4NL0N0.....	14	VG96934D10ZLO.....	31	VG96934N10YLO.....	35
CBO7KG1NL0N0.....	14	VG96934E10NLO.....	32	VG96934N10ZLO.....	35
CBO7KG2NL0N0.....	14	VG96934E10NL1.....	32	VG96934Z2.....	36
CBO7KG3NL0N0.....	14	VG96934E10NL2.....	32	VG96934Z3.....	36
CBO7KG4NL0N0.....	14	VG96934E10WLO.....	32	VG96934Z4.....	25
CBOR-B.....	13	VG96934E10WL1.....	32	VG96934Z4.....	36
CBOR-B.....	28	VG96934E10WL2.....	32	VG96934Z6.....	37
CBOR-B.....	36	VG96934E10XLO.....	32		
VG95351A7.....	27	VG96934E10XL1.....	32		
VG95351B7.....	27	VG96934E10XL2.....	32		
VG95351C7.....	27	VG96934E10YLO.....	32		
VG95351D7.....	28	VG96934E10YL1.....	32		
VG95351E7.....	28	VG96934E10YL2.....	32		
VG95351Z1.....	28	VG96934E10ZLO.....	32		

All dimensions in millimeters (mm). Information subject to change without notice.



A World of Interconnect Solutions

Glenair, Inc.

1211 Air Way • Glendale, California • 91201-2497
Telephone: 818-247-6000 • Fax: 818-500-9912 • sales@glenair.com
www.glenair.com

**Glenair Power
Products Group**
25 Village Lane
Wallingford, CT
06492

Telephone:
203-741-1115
Facsimile:
203-741-0053
sales@glenair.com

Glenair UK Ltd
40 Lower Oakham Way
Oakham Business Park
P.O. Box 37, Mansfield
Notts, NG18 5BY England

Telephone:
+44-1623-638100
Facsimile:
+44-1623-638111
sales@glenair.co.uk

Glenair Microway Systems
7000 North Lawndale Avenue
Lincolnwood, IL
60712

Telephone:
847-679-8833
Facsimile:
847-679-8849

Glenair Nordic AB
Gustav III : S Boulevard 46
S - 169 27 Solna
Sweden

Telephone:
+46-8-50550000
Facsimile:
+46-8-50550001
sales@glenair.se

Glenair Electric GmbH
Schaberweg 28
D-61348 Bad Homburg
Germany

Telephone:
+49-6172-6816-126
Facsimile:
+49-6172-6816-190
germany@glenair.com

Glenair Iberica
C/ La Vega, 16
45612 Velada
Spain

Telephone:
+34-925-89-29-88
Facsimile:
+34-925-89-29-87
sales@glenair.es

Glenair Italia S.p.A.
Via del Lavoro, 7
40057 Quarto Inferiore
Granarolo dell'Emilia
Bologna, Italy

Telephone:
+39-051-782811
Facsimile:
+39-051-782259
info@glenair.it

Glenair France SARL
7, Avenue Parmentier
Immeuble Central Parc #2
31200 Toulouse
France

Telephone:
+33-5-34-40-97-40
Facsimile:
+33-5-61-47-86-10
sales@glenair.fr

X-ON Electronics

Largest Supplier of Electrical and Electronic Components

Click to view similar products for [Circular MIL Spec Connector](#) category:

Click to view products by [Glenair](#) manufacturer:

Other Similar products are found below :

[0025-262-542](#) [0025-264-3014](#) [58-570121-04S](#) [0134-202-1200](#) [0134-207-1206](#) [0134-207-1800](#) [0134-207-2207](#) [0134-213-0806](#) [0134-213-1007](#) [0134-213-1009](#) [0134-213-1208](#) [0134-213-1800](#) [0134-213-2209](#) [0025-258-000](#) [015-9516-002](#) [60-042722-19P](#) [0114-201-1278](#) [602GB06EG24-61SN](#) [0134-201-1207](#) [0134-201-1806](#) [0134-201-2006](#) [0134-201-2007](#) [0134-201-2010](#) [0134-202-1400](#) [0134-207-0809](#) [0134-207-1208](#) [0134-207-2009](#) [0134-213-1006](#) [6104-207-2302](#) [6104-208-1902](#) [6131-202-19149P](#) [6131-204-21149P](#) [6131-207-13149P](#) [6131-208-13149P](#) [6131-209-17149P](#) [6131-210-11149P](#) [6131-211-19149P](#) [6131-216-19149P](#) [6131-220-25149P](#) [6131-259-11149P](#) [6131-259-21149P](#) [6131-259-23149P](#) [6131-263-19149P](#) [6131-265-17149P](#) [6131-265-19149P](#) [CS3102A-20-15P](#) [CS3102A-20-15S](#) [CS3102C18-4P-472](#) [CS3106A-20-29P](#) [CS3106A-20-74P](#)