

MISSION-CRITICAL
INTERCONNECT
SOLUTIONS

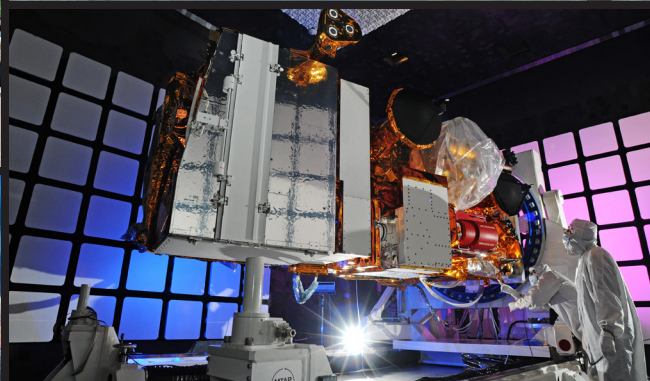


MICRO MINIATURE CIRCULAR

Series 806 Mil-Aero Connectors

Next-Generation High-Density Connector Series for Rugged Air, Sea, Space,
and Ground Applications—Military and Commercial

SECOND EDITION · NOVEMBER 2021



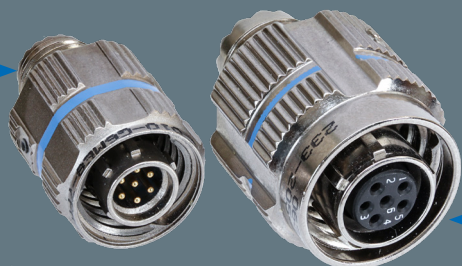
Series 806 Mil-Aero Connectors

Advanced electrical, mechanical and environmental performance *plus reduced size and weight* compared to D38999

Series 806 offers significant size and weight savings while meeting key performance benchmarks for a broad range of applications such as commercial and military aerospace, industrial robotics, transportation systems and more. Designed for general use in harsh vibration, shock and environmental settings—as well as high-altitude, unpressurized aircraft zones with aggressive voltage ratings and altitude immersion standards—the Series 806 Mil-Aero features numerous mechanical design innovations including durable mechanical insert retention, radial seals and triple-ripple grommet seals. Its reduced thread pitch and re-engineered ratchet prevent decoupling problems, particularly in small shell sizes, solving one of the major problems of shell size 9 and 11 MIL-DTL-38999 Series III connectors.

SAVE SIZE AND WEIGHT WITH SERIES 806 VERSUS D38999

Series 806 Mil-Aero
Smallest Size
.500 In. Mating Threads
3 #20 Contacts
or 7 #22 contacts



MIL-DTL-38999
Smallest Size
.625 In. Mating Threads
3 #20 Contacts or 6 #22 contacts



- Next-generation small form factor aerospace-grade circular connector
- Designed for general use in harsh application environments such as aircraft, industrial robotics and more
- Upgraded environmental, electrical and mechanical performance
- Integrated anti-decoupling technology
- Higher density 20HD and 22HD contact arrangements
- Glass hermetic, lightweight aluminum hermetic, high-temperature, fiber optic, and filtered versions

MICRO MINIATURE CIRCULAR

Series 806

Mil-Aero Connectors

Table of Contents



SERIES 806 MIL-AERO GENERAL INFORMATION AND REFERENCE

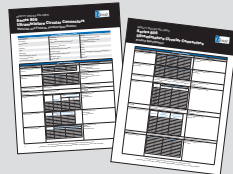
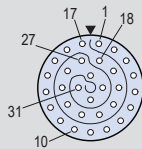
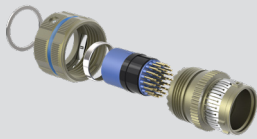
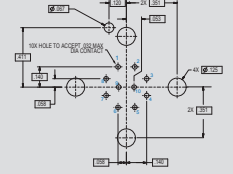



Table of Contents and Product Features
Page 1

Contact Arrangements
Page 6

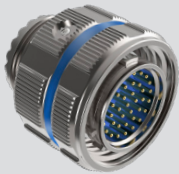
Performance Specification
Page 10

Space-Grade Information
Page 13

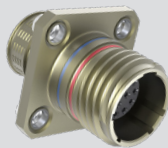
Recommended Torque Values
Page 158

Printed Circuit Board Layouts
Page 159

ENVIRONMENTAL SERIES 806 MIL-AERO CONNECTORS



Cable Plugs, Environmental
806-012
Page 14



Square Flange Receptacles
806-013
Page 16



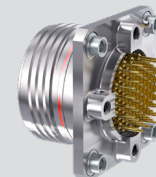
In-Line Receptacles
806-019
Page 18



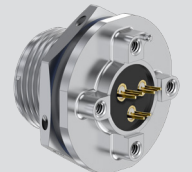
Jam-nut Receptacles
806-020
Page 20



Jam-nut PCB Receptacles
806-021
Page 22

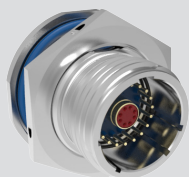


Square Flange PCB Receptacles
806-022
Page 24

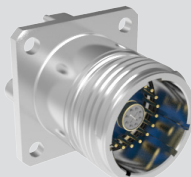


Jam-Nut Coax PCB Receptacles
806-058
Page 26

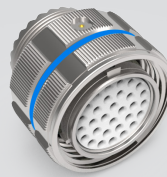
ENVIRONMENTAL SERIES 806 HIGH-SPEED / RF PCB RECEPTACLES



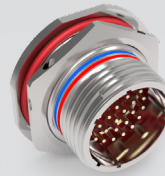
Jam-nut El Ocho Receptacle
806-039
Page 28



Square-Flange El Ocho Receptacle
806-040
Page 32



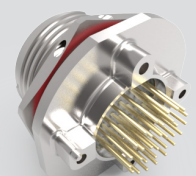
ThermaRex HT Plug
806-042
Page 38



ThermaRex HT Jam-Nut
806-053
Page 40



ThermaRex HT Square Flange
806-052
Page 42

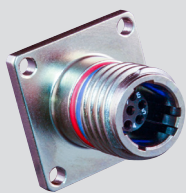


ThermaRex HT PCB Jam-Nut
806-041
Page 44

FIBER OPTIC SERIES 806 MIL-AERO CONNECTORS AND ACCESSORIES



Cable Plug
806-012
Page 53



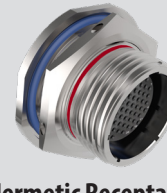
Sq-Flange Receptacle
806-013
Page 53



In-Line Receptacle
806-019
Page 54



Jam-Nut Receptacle
806-020
Page 54



Hermetic Receptacles, PC Tail / Solder Cup
806-025
Page 62



Hermetic PCB Recept, Threaded Standoff
806-026
Page 65

HERMETIC GLASS-TO-METAL SEAL SERIES 806 MIL-AERO CONNECTORS

CONNECTOR REFERENCE

MICRO MINIATURE CIRCULAR
Series 806
Mil-Aero Connectors
Table of Contents



LIGHT-WEIGHT HERMETIC CODE RED SERIES 806 MIL-AERO CONNECTORS



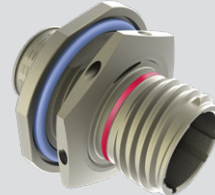
PCB Jam-Nut Receptacle,
with Threaded Standoffs

CODE RED
806-028
 Page 70

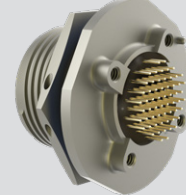


PCB Jam-Nut Receptacle,
High-Speed El Ochito®

CODE RED
806-043
 Page 72



Filtered Solder Cup or PC Tail
Jam-Nut Receptacle,
240-806 (-07) or (-08)
 Page 76



Filtered Solder Cup or PC Tail
Jam-Nut, Threaded Standoff
240-806-21
 Page 78

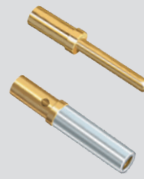
SERIES 806 HIGH-SPEED CABLE ASSEMBLIES AND MIL-AERO CONTACTS



White, Blue and Red El Ochito Single or
Double Ended Cable Assemblies
 Page 82



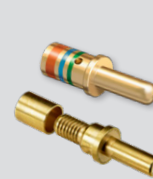
Size 22 HD
Crimp Contacts
 Page 95



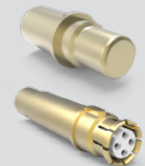
Size 20HD
Crimp Contacts
 Page 97



Size 16 Power,
and RF Contacts
 Page 98



Size 12 Power,
and RF Contacts
 Page 100

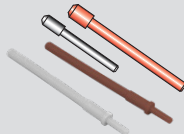


Size 8 Power,
and RF Contacts
 Page 104

TOOLS, ACCESSORIES AND BACKSHELLS



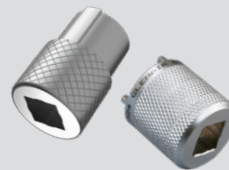
Crimp Tools,
Ins/Ext Tools
 Page 111



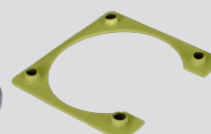
Filler Plugs
and DCSP
 Page 117



Band-Master ATS®
 Page 117



Holding Tools and
Spanner Wrench Skt
 Page 118



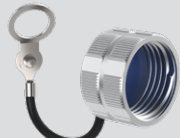
Nut Plates
 Page 119



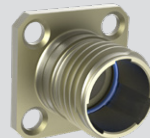
Panel O-rings
and Gaskets
 Page 120



Jam-Nuts, Hex and Low
Profile
 Page 121 & 122



Protective
Covers
 Page 123



Stowage Receptacles
 Page 126



Backshell
Selection Guide
 Page 127



Shrink
Boots
 Page 155

ENVIRONMENTAL, MICRO MINIATURE CIRCULAR

Series 806

Mil-Aero Connectors

Product Features



About The Series 806

The Series 806 Mil-Aero is an aerospace-grade micro miniature circular connector with triple-start threaded coupling. The 806 connector is smaller and lighter than conventional aerospace connectors. Featuring size 22HD, 20HD contacts plus size 8 power and high speed El Ochito®, quadrax, and fiber optic options. The Series 806 offers up to twice the number of contacts with no reduction in performance than MIL-DTL-38999 Series III. In fact, independent laboratory testing has demonstrated that the Series 806 meets, and in many cases exceeds, the requirements of MIL-DTL-38999.

But there is more to the 806 than just size and weight reduction. This flight-proven high-performance

connector has many innovative features that meet the most aggressive requirements of the military/aerospace industry, including better resistance to vibration-induced decoupling. This is accomplished by re-engineering the ratchet mechanism and introducing a shallower mating thread ramp angle than is available in D38999.

Glenair pioneered integral shield banding platforms to allow direct attachment of cable shields, boots and overmolds. This innovation continues with the 806—Glenair’s first connector to exclusively use the ultra lightweight Nano shield termination band for maximum size and weight reduction.

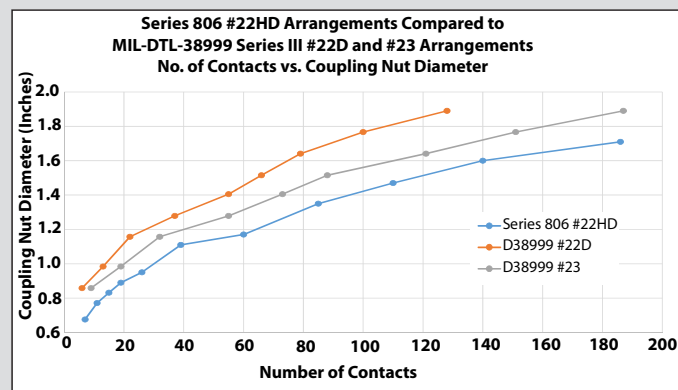
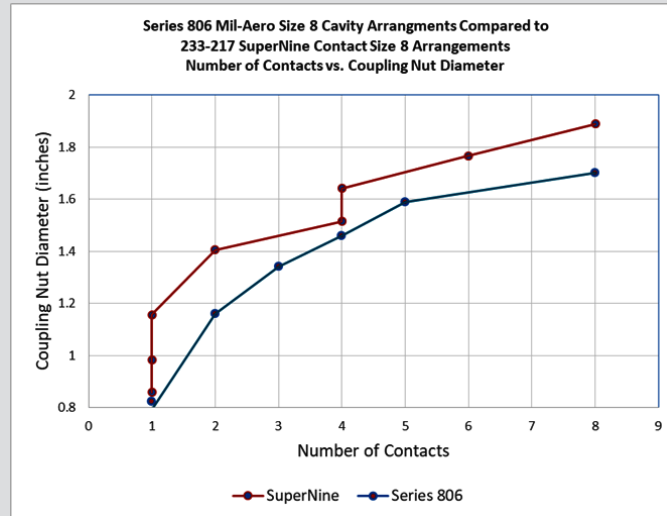
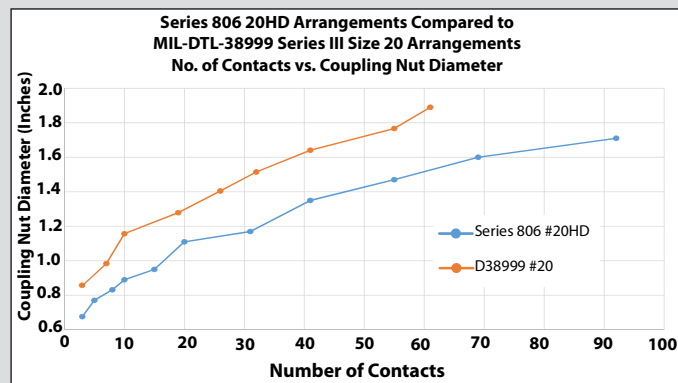
Another enhancement is a “top hat” insulator with raised bosses for foolproof alignment of insulator

cavities and retention clips as well as higher voltage ratings.

The Series 806 Mil-Aero connector features an O-ring radial interface sealing design instead of a flat gasket. This allows for easier metal-to-metal coupling, improved sealing, and better EMI performance. The MIL-DTL-38999 Series III and other legacy aerospace circular connectors have a flat gasket inside the receptacle shell. This peripheral seal must be compressed sufficiently to allow full metal-to-metal connector bottoming. In certain tolerance conditions this seal can make it difficult to fully mate the connectors “without the use of tools” as is required by MIL-DTL-38999.

Save Size and Weight with Series 806 Mil-Aero Connectors

The Next-Generation Higher-Density Connector for Demanding Aerospace and Defense Applications



Series 806 plug with 19 #22 contacts compared to MIL-DTL-38999 Series III with 6 #22 contacts. More than 3X the number of contacts, yet only .020 inches larger in diameter.

MICRO MINIATURE CIRCULAR
Series 806
Mil-Aero Connectors
Product Features

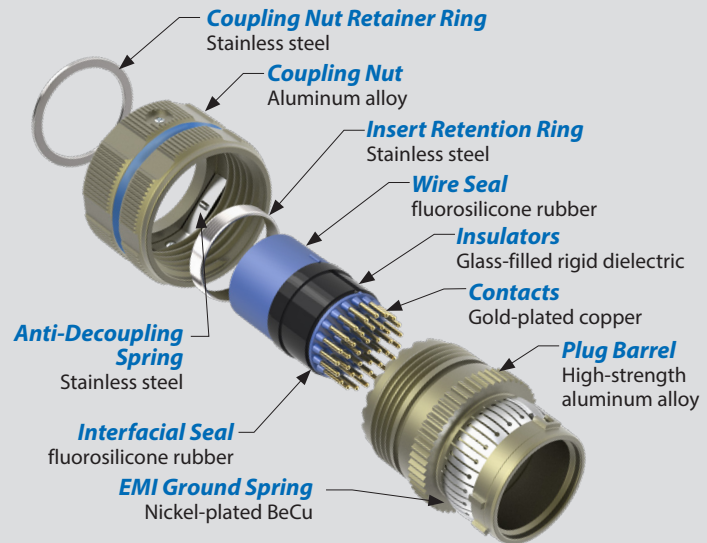


KEY FEATURES

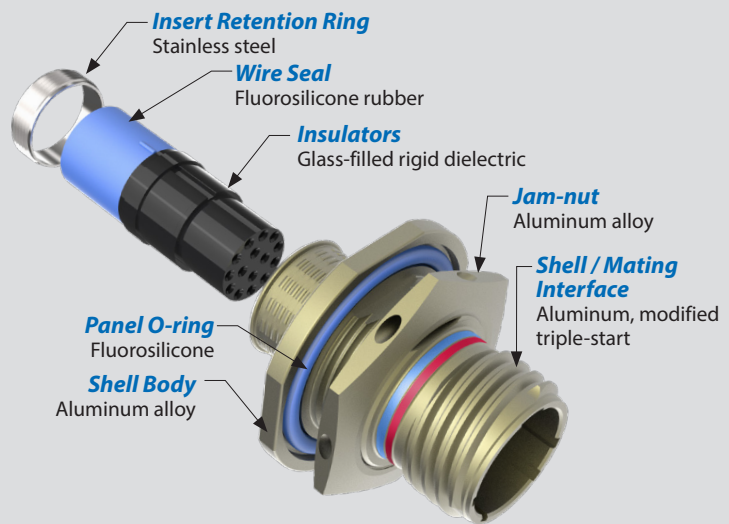
- Next-generation high-performance micro miniature aerospace connector
- Reduced-pitch triple-start modified anti-decoupling stub ACME thread
- Higher density 20HD and 22HD contact arrangements
- +200° C operating temperature
- High-strength aluminum alloy plug barrel
- “Triple ripple” wire sealing grommet (75,000 ft. rated)
- Snap-in, rear-release crimp contacts
- Metal contact retention clips
- Integral Nano-Band shield termination platform
- EMI shielding effectiveness IAW MIL-DTL-38999M para. 4.5.28 (65 dB min. leakage attenuation @ 10GHz)
- 10,000 amp indirect lightning strike
- 300g. shock
- MIL-S-901 Grade A high-impact shock
- Aluminum and stainless steel versions
- Environmental crimp contact, glass-to-metal seal PC tail and solder cup hermetics, RF, fiber, and EMI filter versions
- RoHS compliant nickel, nickel-PTFE, black zinc and stainless steel plus mil-grade cadmium finish options
- Printed circuit board versions with threaded mounting holes

CONNECTOR REFERENCE

Plug Connector



Receptacle Connector



AVAILABLE LIGHTWEIGHT ALUMINUM “CODE RED” HERMETICS

CODE RED is a lightweight encapsulant sealing and application process with 50% package-weight savings compared to glass-to-metal seal Kovar/stainless steel solutions. Non-outgassing CODE RED (IAW NASA/ESA) provides durable hermetic sealing with better than 1×10^{-7} leak-rate performance. Gold-plated copper PCB contacts deliver outstanding low-resistance current carrying capacity. See 806-028.



MICRO MINIATURE CIRCULAR

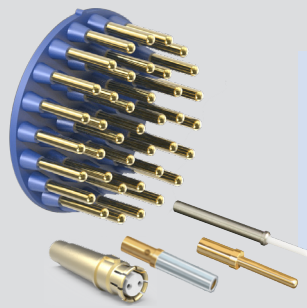
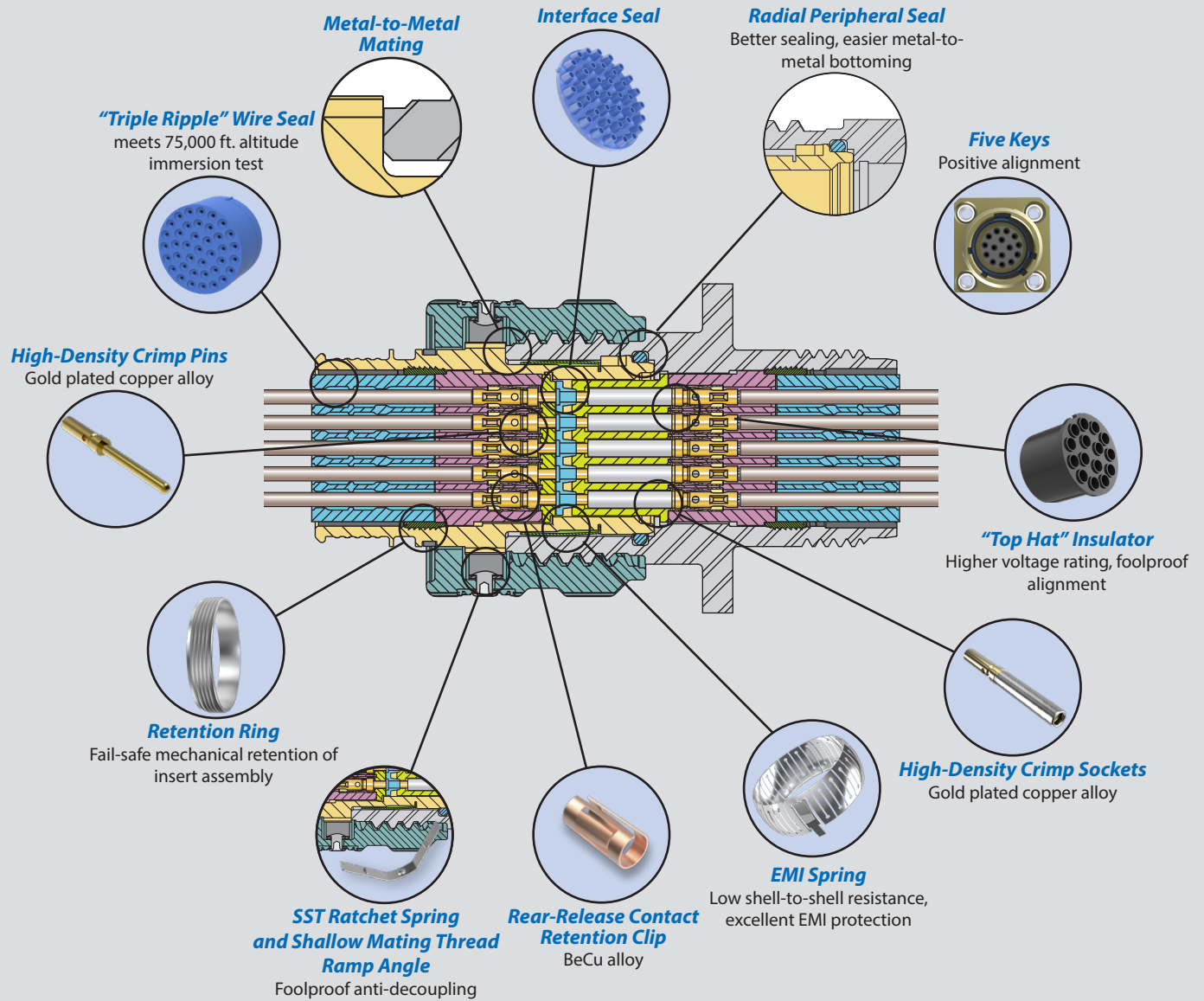
Series 806

Mil-Aero Connectors

Product Features



SERIES 806 MIL-AERO FEATURES



Series 806 Mil-Aero, with its high-density size #8, #20HD and #22HD contact arrangements, is designed for universal mil-aero use. The many special design features shown above allow this micro miniature circular connector to meet and even exceed MIL-DTL-38999 performance even in high-altitude, unpressurized zones. In addition to high-density signal contacts, Series 806 also supports a broad range of high-speed shielded contacts including Glenair Signature El Ochito®, as well as Size #8 Coax, and fiber optic termini.

CONNECTOR REFERENCE

MICRO MINIATURE CIRCULAR

Series 806

Mil-Aero Connectors



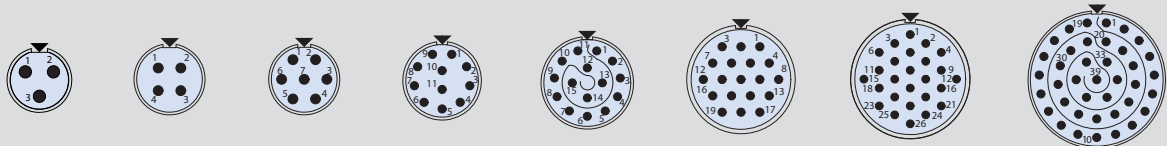
Contact Arrangements (Mating face of pin connector shown. Socket numbering is reversed.)

Contact Arrangements																						
Contact Layout	Number of Contacts					Contact Layout	Number of Contacts					Contact Layout	Number of Contacts									
	22HD	20HD	16	12	8		22HD	20HD	16	12	8		22HD	20HD	16	12	8					
7-3	3					14-20		20				14-3			3		18-59	55		4		
8-4	4					16-31		31				16-4			4		11-14	13			1	
8-7	7					18-41		41				16-7			7		12-14	12			2	
9-11	11					20-55		55				18-8			8		14-22	20			2	
10-15	15					22-69		69				20-11			11		12-14	12			2	
11-19	19					24-92		92				22-13			13		16-42	40			2	
12-26	26					8-1			1			24-19			19		18-62	60			2	
14-39	39					10-2			2			10-1				1	14-20A	19				1
16-60	60					11-4			4			16-2				2	16-22	20				2
18-85	85					12-5			5			18-3				3	18-21	18				3
20-110	110					14-7			7			20-4				4	20-28	24				4
22-140	140					16-12			12			22-5				5	22-44	40				4
24-186	186					18-15			15			24-8				8	24-97	93				4
8-3		3				20-22		22				10-8A	6	2								
9-5		5				22-24		24				11-13	11	2								
10-8		8				24-35		35				12-27	26	1								
11-10		10				9-1				1		14-21	17	4								
12-15		15				12-2					2	16-41	37	4								

Series 806 Size 22HD Contact Arrangements (1300 VAC, 5 A)

Mating face of pin connector. Socket numbering is reversed.

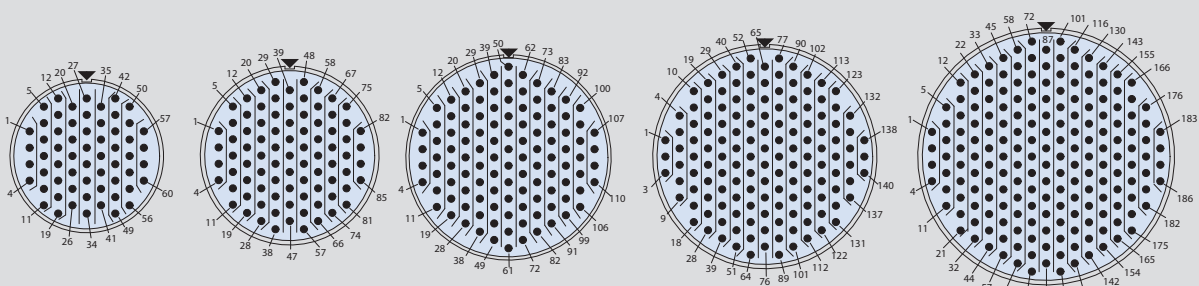
Symbol ▼ indicates master key location.



Arrangement No.	7-3	8-4	8-7	9-11	10-15	11-19	12-26	14-39
No. of Contacts	3	4	7	11	15	19	26	39

Mating face of pin connector. Socket numbering is reversed.

Symbol ▼ indicates master key location.



Arrangement No.	16-60	18-85	20-110	22-140	24-186
No. of Contacts	60	85	110	140	186

CONNECTOR REFERENCE

See Appendix for PC board layouts

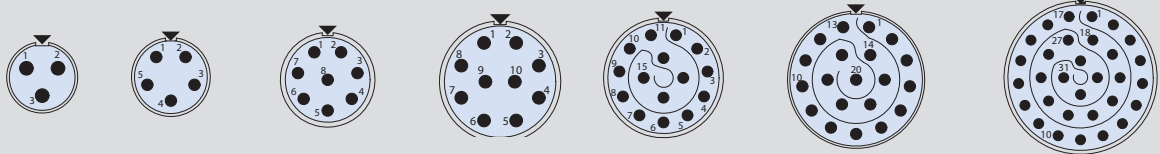
MICRO MINIATURE CIRCULAR Series 806 Mil-Aero Connectors



Contact Arrangements (Mating face of pin connector shown. Socket numbering is reversed.)

Series 806 Size 20HD Contacts Arrangements (1800 VAC, 7.5 A)

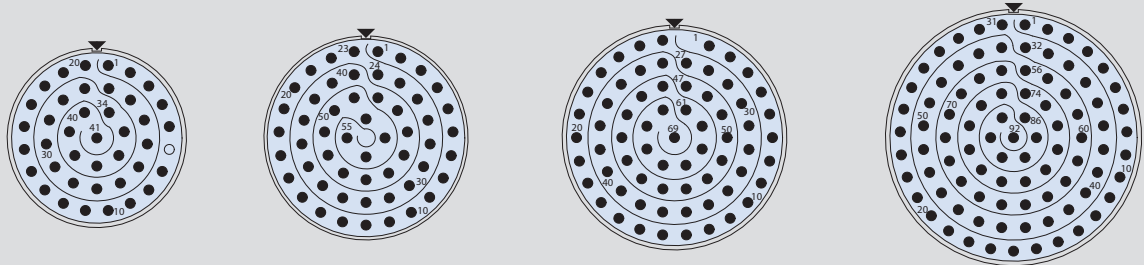
Mating face of pin connector. Socket numbering is reversed.



Symbol ▼ indicates master key location.

Arrangement No.	8-3	9-5	10-8	11-10	12-15	14-20	16-31
No. of Contacts	3	5	8	10	15	20	31

Mating face of pin connector. Socket numbering is reversed.

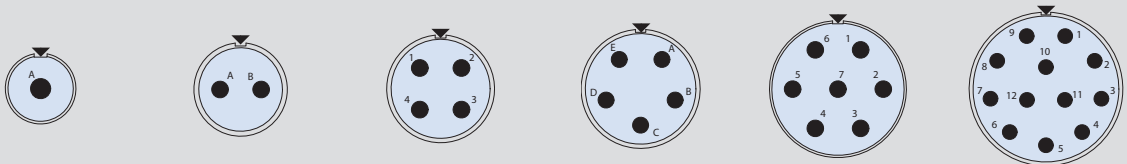


Symbol ▼ indicates master key location.

Arrangement No.	18-41	20-55	22-69	24-92
No. of Contacts	41	55	69	92

Series 806 Size 16 Contact Arrangements (2300 VAC, 13 A)

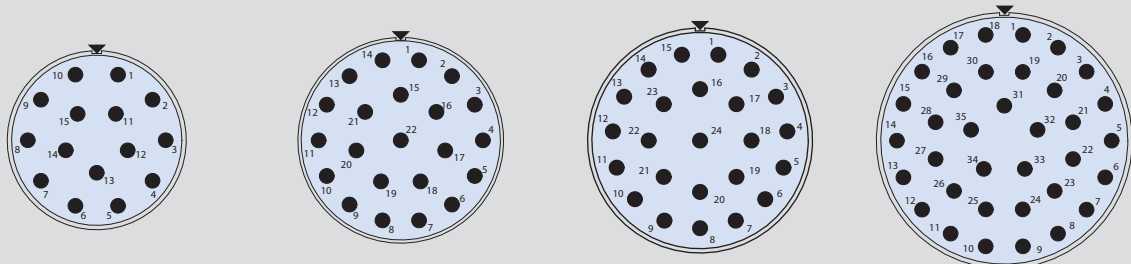
Mating face of pin connector. Socket numbering is reversed.



Symbol ▼ indicates master key location.

Arrangement No.	8-1	10-2	11-4	12-5	14-7	16-12
No. of Contacts	1	2	4	5	7	12

Mating face of pin connector. Socket numbering is reversed.



Symbol ▼ indicates master key location.

Arrangement No.	18-15	20-22	22-24	24-35
No. of Contacts	15	22	24	35

See Appendix for PC board layouts

MICRO MINIATURE CIRCULAR

Series 806

Mil-Aero Connectors

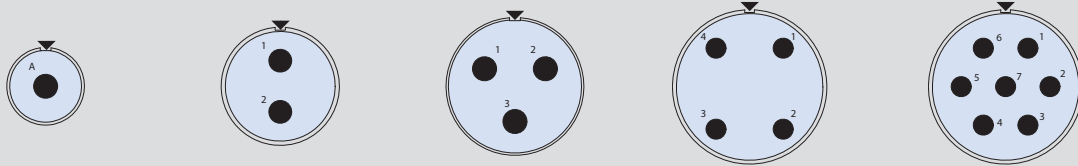


Contact Arrangements (Mating face of pin connector shown. Socket numbering is reversed.)

Series 806 Size 12 Contact Arrangements (2300 VAC, 23 A)

Mating face of pin connector. Socket numbering is reversed.

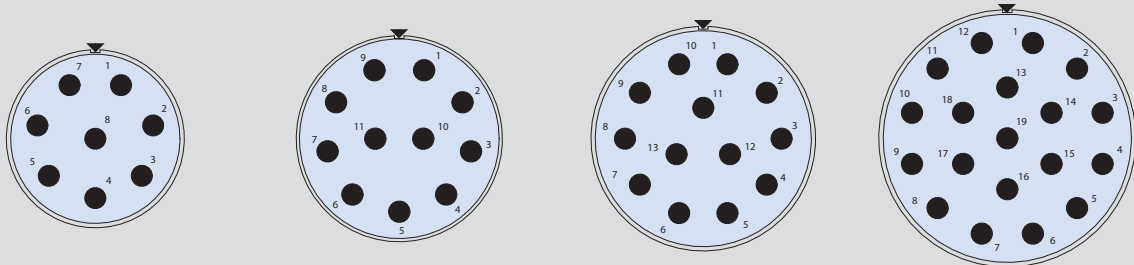
Symbol ▼ indicates master key location.



Arrangement No.	9-1	12-2	14-3	16-4	16-7
No. of Contacts	1	2	3	4	7

Mating face of pin connector. Socket numbering is reversed.

Symbol ▼ indicates master key location.

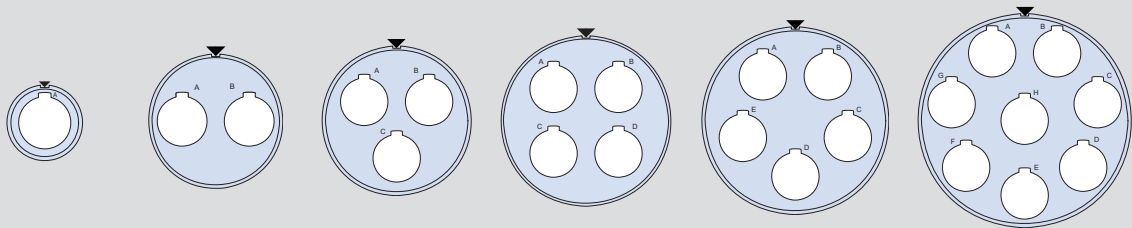


Arrangement No.	18-8	20-11	22-13	24-19
No. of Contacts	8	11	13	19

Series 806 Size 8 Contact Arrangements (1800 VAC, 46 A)

Mating face of pin connector. Socket numbering is reversed.

Symbol ▼ indicates master key location.

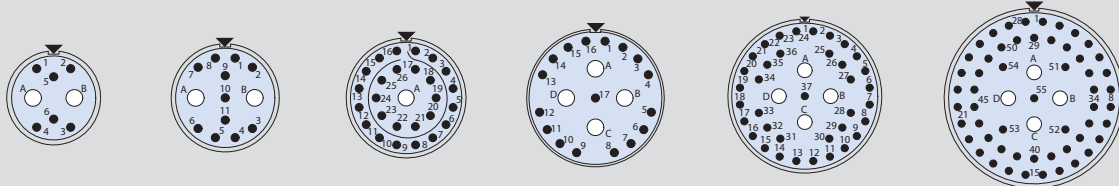


Arrangement No.	10-1	16-2	18-3	20-4	22-5	24-8
No. of Contacts	1 - #8	2 - #8	3x #8	4x #8	5x #8	8x #8

Series 806 Size 22 and 16 Combo Contact Arrangements

Mating face of pin connector. Socket numbering is reversed.

Symbol ▼ indicates master key location.



Arrangement No.	10-8A	11-13	12-27	14-21	16-41	18-59
No. of #22 Contacts	6	11	26	17	37	55
No. of #16 Contacts	2	2	1	4	4	4

CONNECTOR REFERENCE

See Appendix for PC board layouts

MICRO MINIATURE CIRCULAR Series 806 Mil-Aero Connectors

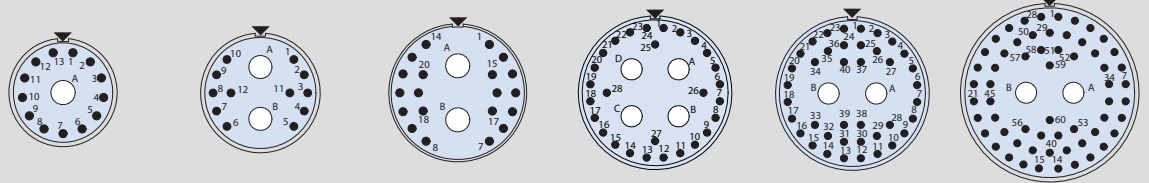


Contact Arrangements (Mating face of pin connector shown. Socket numbering is reversed.)

Series 806 Size 22HD and 12 Combo Contact Arrangements

Mating face of pin connector. Socket numbering is reversed.

Symbol ▼ indicates master key location.

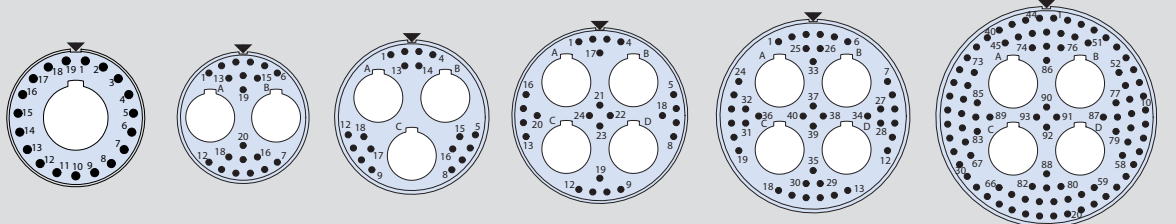


Arrangement No.	11-14	12-14	14-22	16-32	16-42	18-62
No. of #22 Contacts	13	12	20	28	40	60
No. of #12 Contacts	1	2	2	4	2	2

Series 806 Size 22HD and 8 Combo Contact Arrangements

Mating face of pin connector. Socket numbering is reversed.

Symbol ▼ indicates master key location.

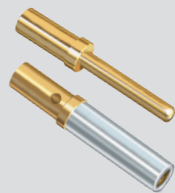


Arrangement No.	14-20A	16-22	18-21	20-28	22-44	24-97
No. of #22 Contacts	19	20	18	24	40	93
No. of #8 Contacts	1	2	3	4	4	4

See Appendix for PC board layouts

Series 806 Mil-Aero combo insert arrangements support applications with both standard data signal requirements, plus high-speed datalink (multi-gigabit Ethernet, HDMI, etc.), as well as RF / microwave, and power. Glenair Signature El Ochito® octaxial contacts support 10GbE in a single shielded contact. Available size #8 differential Twinax and industry-standard Quadrax are also supported. A broad range of RF Coax contacts are also available in different frequency ranges. Size #8 power contacts support size 8 to size 12 AWG wire.

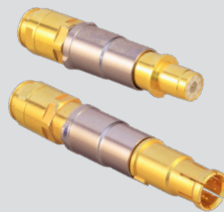
SERIES 806 MIL-AERO CONTACT SELECTION GUIDE



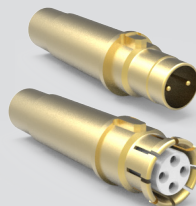
Crimp Contacts
Page 54



Fiber Termini
Page 58



El Ochito Contacts
Page 59



Twinax / Quadrax
Page 76



Power Contacts
Page 78



RF Coax Contacts
Page 79

CONNECTOR REFERENCE



Standard Materials and Finishes		
DESCRIPTION	MATERIAL	FINISH
Pin Contact	Copper alloy	50 microinches gold over nickel
Socket Contact	Copper alloy, with stainless steel hood	50 microinches gold over nickel Contact hood: passivate
Insulators	High grade rigid dielectric	None
Seals	Fluorosilicone/silicone blend, blue	None
EMI Spring	Beryllium copper	Nickel
Shell, Coupling Nut, Jam-nut	Aluminum alloy or stainless steel	See how-to-order tables for finish options
Contact Retention Clip	Beryllium copper	None
Anti-Decoupling Ratchet Spring	Stainless steel	Passivate

Performance Specification				
TEST DESCRIPTION	REQUIREMENT			PROCEDURE
Dielectric withstanding voltage at sea level	Contact Size	Altitude	Voltage	
	20HD	Sea level	1800	
	22HD	Sea level	1300	
Dielectric withstanding voltage at altitude	Contact Size	Altitude	Voltage	
	20HD	50,000 ft	1000	
		70,000 ft	1000	
		100,000 ft	1000	
	22HD	50,000 ft	800	
		70,000 ft	800	
100,000 ft		800		
Insulation resistance at ambient temperature	5000 megohms minimum			MIL-DTL-38999M Para. 4.5.10.1 EIA-364-21
Insulation resistance at elevated temperature	1000 megohms minimum			MIL-DTL-38999M Para. 4.5.10.2 EIA-364-21
Contact resistance at 25°C, crimp contacts	Wire Size	Test Current Amperes	Maximum Voltage Drop (millivolts)	
			Initial	After Conditioning
	20	7.5	55	66
	22	5	73	88
	24	3	45	54
	26	2	52	63
	28	1.5	54	65
	30	1	60	73
Contact resistance at 200° C, crimp contacts	Wire Size	Test Current Amperes	Maximum Voltage Drop (millivolts)	
	20	7.5	94	
	22	5	125	
	24	3	77	
	26	2	89	
	28	1.5	92	
	30	1	103	
Low level contact resistance, crimp contacts	Wire Size	Maximum Contact Resistance (milliohms)		
		Initial Values	After Conditioning	
	20	9	11	
	22	15	17	
	24	20	23	
	26	31	38	
	28	50	60	
30	75	88		

CONNECTOR REFERENCE

MICRO MINIATURE CIRCULAR
Series 806
Mil-Aero Connectors
Performance Specification



Performance Specification					
TEST DESCRIPTION	REQUIREMENT			PROCEDURE	
Contact resistance, glass-sealed hermetic connectors	Contact Size, Wire Size	Test Current Amperes	Maximum Millivolt Drop		MIL-DTL-38999M Para. 3.18.2 EIA-364-06
			Initial	After Conditioning	
	20	5	60	75	
	22	3	85	95	
Shell-to-shell conductivity	Finish Code	Shell Matl/Fin	Millivolt Drop (mV)		MIL-DTL-38999M Para. 4.5.25 EIA-364-83
	NF	Al/OD Cad	2.5		
	MT	Al/Ni-PTFE	2.5		
	ME	Al/EN	1.0		
	ZR	Al/Zn-Ni	2.5		
	Z1	SST/pass.	10.0		
	ZL	SST/Ni	1.0		
Backshell shield braid to shell conductivity	Finish Code	Shell Matl/Fin	Millivolt Drop (mV)		MIL-DTL-38999M Para. 4.5.25.1 EIA-364-83
	NF	Al/OD Cad	5.0		
	MT	Al/Ni-PTFE	5.0		
	ME	Al/EN	3.5		
	ZR	Al/Zn-Ni	5.0		
	Z1	SST/pass.	15.0		
	ZL	SST/Ni	3.5		
Indirect lightning strike	No evidence of damage which could impair proper functioning. Connectors shall meet shell-to-shell conductivity, DWV and coupling torque.			MIL-DTL-38999M Para. 4.5.47 EIA-364-75 10,000 Amps peak current	
EMI shielding	Freq. MHz	Leakage Attenuation, (dB) minimum		MIL-DTL-38999M Para. 4.5.28	
		Electroless Nickel Finish	Cadmium, Nickel-PTFE, Zinc-Nickel Finish		
	100	90	90		
	200	88	88		
	300	88	88		
	400	87	87		
	800	85	85		
	1,000	85	85		
	1,500	76	69		
	2,000	70	65		
	3,000	69	61		
	4,000	68	58		
6,000	66	55			
10,000	65	50			
Durability	No evidence of damage which could impair proper functioning following 500 cycles of mating and unmating.			MIL-DTL-38999M Para. 4.5.8 EIA-364-09	
Coupling and uncoupling torque	Shell size	Maximum Engagement lbs.-inch.	Minimum Disengagement lbs.-inch.	MIL-DTL-38999M Para. 4.5.7 EIA-364-114	
	8	8	2		
	9	8	2		
	10	12	2		
	11	12	2		
	12	12	2		
	14	16	2		
	16	20	3		
	18	24	3		
	20	28	3		
	22	32	5		
	24	36	5		
Insert retention	100 pounds per square inch, 25 pound minimum force			MIL-DTL-38999M Para. 4.5.12 EIA-364-35	
External bend moment	Shell size	Pound inches		MIL-DTL-38999M Para. 4.5.16 EIA-364-43	
	8	100			
	9	100			
	10	100			
	11	200			
	12	300			
	14	400			
	16	500			
	18	600			
	20	700			
	22	800			
	24	900			

CONNECTOR REFERENCE

MICRO MINIATURE CIRCULAR
Series 806
Mil-Aero Connectors
Performance Specification



Performance Specification			
TEST DESCRIPTION	REQUIREMENT		PROCEDURE
Contact retention	Contact size	Pounds ± 10 percent	MIL-DTL-38999M Para. 4.5.20.1 EIA-364-29
	22HD	10	
	20HD	10	
Magnetic permeability	2 μ maximum		MIL-DTL-38999M Para. 4.5.48 EIA-364-54
Contact engaging /separation force	Contact forces shall meet AS39029 Table 9 requirements		AS39029C Para. 4.7.6 EIA-364-37
Temperature cycling (thermal shock)	No evidence of damage detrimental to the function of the connector		MIL-DTL-38999M Para. 4.5.4 EIA-364-32 Mated connectors, -65° C to +200° C
Random vibration, elevated temperature, 43g rms	No discontinuities of 1 microsecond or longer No resonance at frequencies less than 300 Hz		MIL-DTL-38999M Para. 4.5.23.2.3 with Figure 24 accessory load EIA-364-28 +200° C
Random vibration, ambient temperature, 49g rms	No discontinuities of 1 microsecond or longer		MIL-DTL-38999M Para. 4.5.23.2.4 EIA-364-28 Test Condition V
Sine vibration, 60g	No discontinuities of 1 microsecond or longer		MIL-DTL-38999M Para. 4.5.23.2.1 with Figure 24 accessory load 12 hours in each of 3 axes 4 hours at ambient, 4 hours at -55° C, 4 hours at +200° C
Mechanical shock, 300g	No discontinuities of 1 microsecond or longer		MIL-DTL-38999M Para. 4.5.24.1 EIA-364-27
High impact shock (901)	No discontinuities of 1 microsecond or longer No evidence of damage which could impair proper functioning.		MIL-DTL-38999M Para. 4.5.24.2 MIL-S-901 Grade A
Humidity, cyclic	Meet DWV and IR test		MIL-DTL-38999M Para. 4.5.26 EIA-364-31 Method 4 10 cycles, 10 days, 25 – 65° C 80 – 100% RH
Ozone exposure	No evidence of damage detrimental to the function of the connector		MIL-DTL-38999M Para. 4.5.29 EIA-364-14
Fluid immersion	No damage to plastic, elastomeric and bonding materials detrimental to the function of the connector. Connector shall meet coupling torque and DWV requirements when tested within 3 hours of immersion.		MIL-DTL-38999M Para. 4.5.30 EIA-364-10
Altitude immersion	No evidence of moisture on connector interface or contacts. At the end of the third cycle, while still submersed, connectors shall meet dielectric withstanding voltage and 1,000 megohms insulation resistance.		MIL-DTL-38999M Para. 4.5.9 EIA-364-03 75,000 feet
Altitude- low temperature	Connectors shall meet insulation resistance requirement while at -65° C and 100,000 ft. Connectors shall meet DWV requirement when returned to ambient conditions.		MIL-DTL-38999M Para. 4.5.21 EIA-364-105 -65° C 100,000 ft.
Thermal vacuum outgassing	All nonmetallic materials shall not exceed 1.0% Total Mass Loss and 0.1% Total Volatile Condensable Materials. Applicable only to connectors that have been subjected to optional thermal vacuum outgassing.		MIL-DTL-38999M Para. 4.5.42 ASTM E595
Salt Spray (dynamic)	Finish Code	Matl/Fin	Hours
	NF	Al/OD Cad	500
	MT	Al/Ni-PTFE	500
	ME	Al/EN	48
	ZR	Al/Zn-Ni	500
	Z1	SST/passivate	1000
	ZL	SST/Ni	1000
			MIL-DTL-38999M Para. 4.5.13.2 EIA-364-26 500 mating cycles

CONNECTOR REFERENCE

Series 806 Mil-Aero Connectors

NASA and D38999, Class G Space-Grade Guidelines



Series 806 Connectors for Space Flight

The Series 806 is an ideal interconnect choice for space flight equipment. The series 806 features materials, finishes, and performance specifications that meet the MIL-DTL-38999 Class G requirements for space-grade connectors, except with higher density and lower weight.

Outgassing

Space flight equipment requires low-outgassing components in order to prevent degradation to optics and other sensitive instruments. Series 806 connectors contain nonmetallic materials such as rubber, plastic, adhesives and potting compounds which can give off gasses when subjected to a vacuum or high heat. Unless the connector is specially processed, the TML and CVCM can exceed allowable limits. The space industry has adopted a standardized test procedure, ASTM E595, to evaluate outgassing properties. The MIL-DTL-38999 specification Class G also details specific TVM and CVCM values in addition to finish specifications. In Glenair's 186T process, for example, connectors and connector materials are heated to 175° C at a vacuum of 5 X 10⁻⁶ Torr for 48 hours. Items under test are then weighed to calculate the Total Mass Loss (TML), which may not exceed 1.0% of the total initial mass. A collector plate is used to determine the Collected Volatile Condensable Material (CVCM), which may not exceed 0.1% of the total original specimen mass for Class G rated connectors. Glenair is able to offer outgas processing which assures all materials comply with their respective standards.

Note on Connector Material and Finish Options

Some types of metals are prohibited for space flight. "Pure Tin, Cadmium and Zinc shall not be used as a final finish on EEE parts." (NASA EEE-INST-002 Instructions for EEE Parts Selection, Screening, Qualification, and Derating). NASA recommends electroless nickel or gold finish on connector shells and gold finish for contacts.

Specifying Appropriate NASA Screening

- 1 Choose a NASA EEE-INST-002 Table 2A screening level.** This table contains three screening levels: **Level 1** for missions requiring the highest reliability and lowest level of risk, **Level 2** for low to moderate risk missions, and **Level 3** missions where enhanced screening and inspection is not invoked.
- 2 Choose outgassing process and/or NASA inspection requirements.** Seven options are available for NASA outgassing, see Table I for details. Cross reference Table II for inspections completed by screening level as required by NASA standards.
- 3 Select the modification code** from the Table I and add it to the Series 806 part number. Example: 806-012-ME8-7PMA-**429**.

Table I: Outgassing per NASA Screening Levels and D38999, Class G

Screening Level	Screening Type	No Outgas Processing	48 Hour Oven Bake 175° C 100%	Thermal Vacuum* Outgassing 24 Hour 125° C 100%	Mod Code
3	Standard Reliability			●	429L
			●		186
2	High Reliability	●			429
			●	●	429A
				●	429K
1	Highest Reliability	●			429B
				●	429C
			●		429J
				●	

*Thermal vacuum of 10⁻⁶ Torr.,

Table II: NASA EEE-INST-02, Table 2A Screening Levels

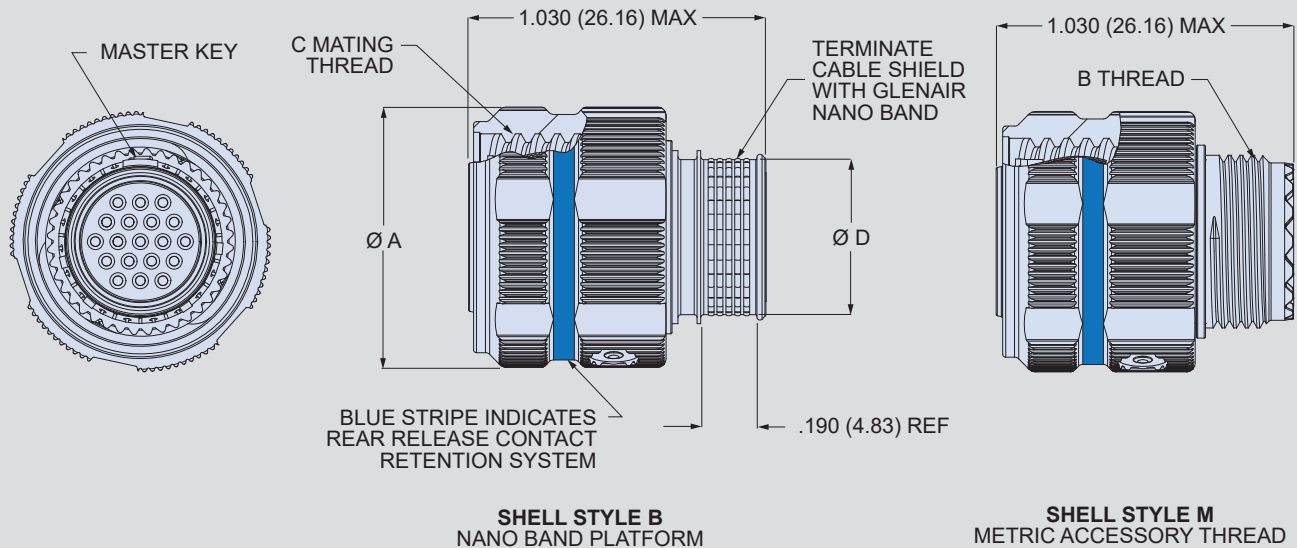
Inspection	Level 1	Level 2	Level 3
Visual	100%	100%	100%
Mechanical	2	2	
Dielectric Withstanding Voltage	2	2	
Insulation Resistance	2	2	
Contact Engagement & Separation Force	2		
Hermeticity (Sealed Receptacles Only)	100%	100%	100%
Coupling Force	2		

Note: required inspection quantity shown. Zero acceptance of failures allowed for all quantities inspected. Inspection is not performed/required for MIL-DTL-38999, Class G

CONNECTOR REFERENCE

Series 806 Mil-Aero Connectors

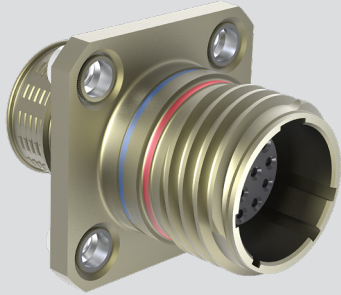
806-012 Plug Connector



806-012 Plug Dimensions				
Shell Size	ØA Max	B Thread	C Mating Thread	ØD
7	.606 (15.39)	M8x1.0-6g-0.100R	.4375-.067P-.2L-TS-2B	.267 (6.78)
8	.676 (17.17)	M10x1.0-6g-0.100R	.5000-.067P-.2L-TS-2B	.327 (8.31)
9	.771 (19.58)	M12x1.0-6g-0.100R	.5625-.067P-.2L-TS-2B	.406 (10.31)
10	.832 (21.13)	M14x1.0-6g-0.100R	.6250-.067P-.2L-TS-2B	.484 (12.29)
11	.890 (22.61)	M15x1.0-6g-0.100R	.6875-.067P-.2L-TS-2B	.524 (13.31)
12	.950 (24.13)	M17x1.0-6g-0.100R	.7500-.067P-.2L-TS-2B	.603 (15.32)
14	1.110 (28.19)	M19x1.0-6g-0.100R	.8750-.067P-.2L-TS-2B	.681 (17.30)
16	1.170 (29.72)	M22x1.0-6g-0.100R	1.0000-.067P-.2L-TS-2B	.782 (19.86)
18	1.350 (34.29)	M25x1.0-6g-0.100R	1.1250-.067P-.2L-TS-2B	.899 (22.83)
20	1.470 (37.34)	M28x1.0-6g-0.100R	1.2500-.067P-.2L-TS-2B	1.043 (26.49)
22	1.600 (40.64)	M31x1.0-6g-0.100R	1.3750-.067P-.2L-TS-2B	1.155 (29.34)
24	1.710 (43.43)	M34x1.0-6g-0.100R	1.5000-.067P-.2L-TS-2B	1.273 (32.33)

NOTES:

1. Boot groove for use with 809-060 Heat Shrink boots
2. Terminate shield with Glenair Band-Master ATS tool 601-108 and Glenair Nanoband

Series 806**Mil-Aero Connectors****806-013 Square Flange Receptacle Connectors****Features**

- Triple-start stub ACME mating thread
- High density #20HD and #22HD arrangements for reduced size and weight plus #16, #12, and #8 arrangements and combo layouts
- Aerospace-grade materials, construction
- Snap-in crimp contacts

Specifications

- Operating temperature:
Finishes ME, MT, Z1: -65°C to +200°C
Finishes NF, ZR: -65°C to +175°C
- Dielectric withstanding voltage
#20HD contacts: 1800 VAC
#22HD contacts: 1300 VAC
#16 contacts: varies; contact factory
#12 contacts: varies; contact factory
#8 contacts: varies; contact factory
- Mating durability: 500 cycles
- Mechanical shock: EIA-364-27, 300g.
- Vibration (sine): MIL-DTL-38999M, 60g.
- Vibration (random) EIA-364-28 Condition VI, Letter J, 43.92 Grms, +200°C
- High Impact shock: MIL-S-901 Grade A
- Humidity: EIA-364-31 Method 4
- Salt spray (dynamic): EIA-364-26, 500 hours (96 hours for nickel-plated versions)
- Fluid immersion: EIA-364-10
- Altitude immersion: EIA-364-03 75,000 feet altitude

Connector Construction

- Shell: aluminum or stainless steel
- Contacts: copper alloy, gold plating
- Wire grommet: blue fluorosilicone
- Dielectric inserts: high grade rigid dielectric
- Peripheral seal: blue fluorosilicone
- Contact retention clips: copper alloy
- Clinch nuts: stainless steel, passivated
- Retainer rings: stainless steel, passivated

806-013 Square flange environmental receptacles save size and weight compared to conventional aerospace-grade connectors. Series 806 high-performance connectors are intended for use in harsh environmental areas such as unpressurized aircraft zones subject to vibration, moisture, altitude, and temperature extremes. Choose integral band platform or metric accessory thread shells. Insert arrangements support size #22HD, #20HD, #16, #12, and #8 snap-in, rear-release contacts.

How To Order	
SAMPLE PART NUMBER	806-013 -MT 12-26 P B T A
Product	806-013 = Square Flange, Crimp
Shell Material and Finish	ME = Aluminum, Electroless Nickel MT = Aluminum, Ni/PTFE ZR = Aluminum, Black Zinc-Nickel NF = Aluminum, Olive Drab Cadmium Z1 = Stainless Steel, Passivated
Shell Size - Insert Arrangement	See Table 1
Contact Type	P = Pin A = Pin connector, less contacts S = Socket B = Socket connector, less contacts For datalink contacts (including El Ochito) order connector without contacts and order datalink contacts separately
Shell Style	M = Metric accessory threads B = Nano Band platform
Mounting Hole Style	T = Thru holes C = Clinch nut, #4-40, rear panel mount; consult factory for SST material
Polarization	A B C D E F

Table I: Shell Size - Insert Arrangement

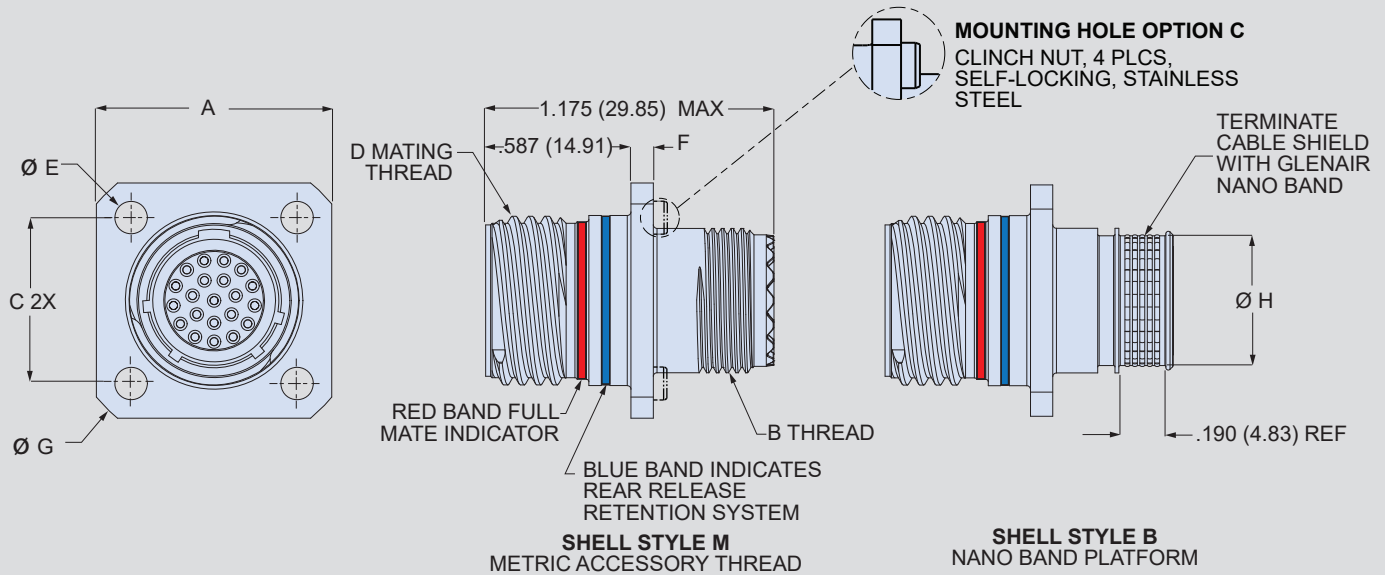
Contact Layout	Number of Contacts					Contact Layout	Number of Contacts					Contact Layout	Number of Contacts				
	22HD	20HD	16	12	8		22HD	20HD	16	12	8		22HD	20HD	16	12	8
7-3	3					22-69		69			18-3					3	
8-4	4					24-92		92			20-4					4	
8-7	7					8-1		1			22-5					5	
9-11	11					10-2		2			24-8					8	
10-15	15					11-4		4			10-8A	6		2			
11-19	19					12-5		5			11-13	11		2			
12-26	26					14-7		7			12-27	26		1			
14-39	39					16-12		12			14-21	17		4			
16-60	60					18-15		15			16-41	37		4			
18-85	85					20-22		22			18-59	55		4			
20-110	110					22-24		24			11-14	13			1		
22-140	140					24-35		35			12-14	12			2		
24-186	186					9-1			1		14-22	20			2		
8-3		3				12-2			2		16-32	28			4		
9-5		5				14-3			3		16-42	40			2		
10-8		8				16-4			4		18-62	60			2		
11-10		10				16-7			7		14-20A	19				1	
12-15		15				18-8			8		16-22	20				2	
14-20		20				20-11			11		18-21	18				3	
16-31		31				22-13			13		20-28	24				4	
18-41		41				24-19			19		22-44	40				4	
20-55		55				10-1				1	24-97	93				4	
						16-2				2							

ENVIRONMENTAL, MICRO MINIATURE CIRCULAR

Series 806

Mil-Aero Connectors

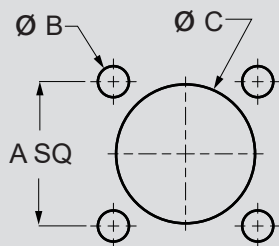
806-013 Square Flange Receptacle Connectors



806-013 Receptacle Dimensions

Shell Size	A Max	B Thread	C	D Mating Thread	ØE	F Max	G Max	H
7	.750 (19.05)	M8x1.0-6g-0.100R	.469 (11.91)	.4375-.067P-.2L-TS-2A	.128 (3.25)	.100 (2.54)	.968 (24.59)	.265 (6.73)
8	.822 (20.88)	M10x1.0-6g-0.100R	.531 (13.49)	.5000-.067P-.2L-TS-2A	.128 (3.25)	.100 (2.54)	1.040 (26.42)	.327 (8.31)
9	.885 (22.48)	M12x1.0-6g-0.100R	.594 (15.09)	.5625-.067P-.2L-TS-2A	.128 (3.25)	.100 (2.54)	1.130 (28.70)	.406 (10.31)
10	.913 (23.19)	M14x1.0-6g-0.100R	.625 (15.88)	.6250-.067P-.2L-TS-2A	.128 (3.25)	.100 (2.54)	1.174 (29.82)	.484 (12.29)
11	.944 (23.98)	M15x1.0-6g-0.100R	.670 (17.02)	.6875-.067P-.2L-TS-2A	.128 (3.25)	.100 (2.54)	1.200 (30.48)	.524 (13.31)
12	1.040 (26.42)	M17x1.0-6g-0.100R	.765 (19.43)	.7500-.067P-.2L-TS-2A	.128 (3.25)	.100 (2.54)	1.354 (34.39)	.603 (15.32)
14	1.133 (28.78)	M19x1.0-6g-0.100R	.859 (21.82)	.8750-.067P-.2L-TS-2A	.128 (3.25)	.100 (2.54)	1.510 (38.35)	.681 (17.30)
16	1.227 (31.17)	M22x1.0-6g-0.100R	.938 (23.83)	1.0000-.067P-.2L-TS-2A	.128 (3.25)	.100 (2.54)	1.620 (41.15)	.782 (19.86)
18	1.320 (33.53)	M25x1.0-6g-0.100R	1.016 (25.81)	1.1250-.067P-.2L-TS-2A	.128 (3.25)	.100 (2.54)	1.784 (45.31)	.899 (22.83)
20	1.444 (36.68)	M28x1.0-6g-0.100R	1.109 (28.17)	1.2500-.067P-.2L-TS-2A	.154 (3.91)	.125 (3.18)	1.910 (48.51)	1.043 (26.49)
22	1.570 (39.88)	M31x1.0-6g-0.100R	1.203 (30.56)	1.3750-.067P-.2L-TS-2A	.154 (3.91)	.125 (3.18)	2.083 (52.91)	1.155 (29.34)
24	1.696 (43.08)	M34x1.0-6g-0.100R	1.312 (33.32)	1.5000-.067P-.2L-TS-2A	.154 (3.91)	.125 (3.18)	2.200 (55.88)	1.273 (32.33)

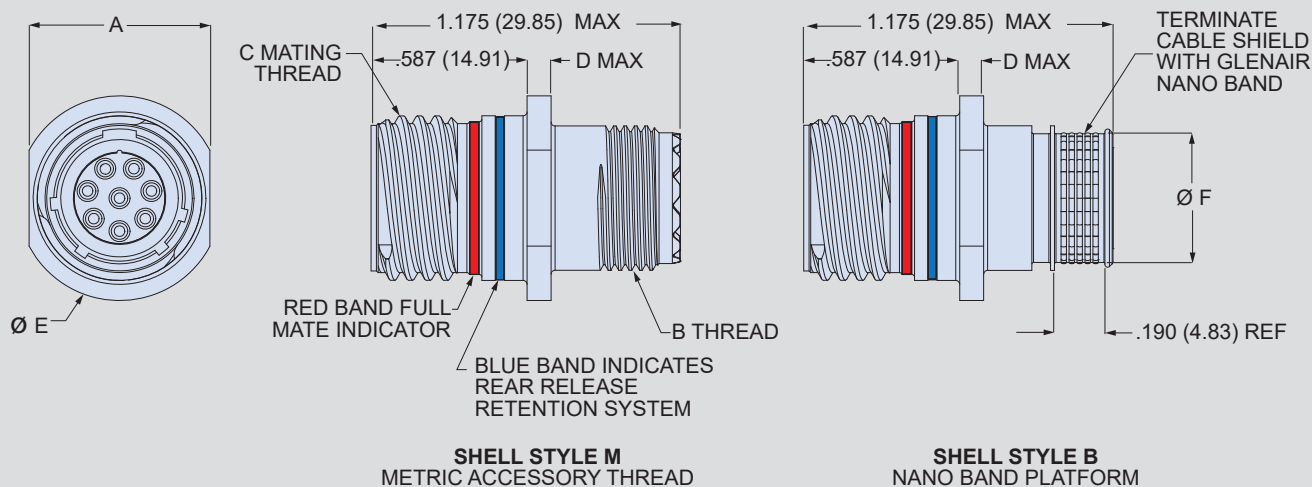
806-013 Panel Cutout Dimensions



Shell Size	A SQ	ØB with Clinch Nut	ØB without Clinch Nut	ØC
7	.469 (11.91)	.128 (3.25)	.128 (3.25)	.443 (11.25)
8	.531 (13.49)	.128 (3.25)	.128 (3.25)	.505 (12.83)
9	.594 (15.09)	.128 (3.25)	.128 (3.25)	.572 (14.53)
10	.625 (15.88)	.128 (3.25)	.128 (3.25)	.640 (16.26)
11	.670 (17.02)	.128 (3.25)	.128 (3.25)	.707 (17.96)
12	.765 (19.43)	.128 (3.25)	.128 (3.25)	.762 (19.35)
14	.859 (21.82)	.128 (3.25)	.128 (3.25)	.885 (22.48)
16	.938 (23.83)	.128 (3.25)	.128 (3.25)	1.010 (25.65)
18	1.016 (25.81)	.128 (3.25)	.128 (3.25)	1.120 (28.45)
20	1.109 (28.17)	.128 (3.25)	.154 (3.91)	1.270 (32.26)
22	1.203 (30.56)	.128 (3.25)	.154 (3.91)	1.395 (35.43)
24	1.312 (33.32)	.128 (3.25)	.154 (3.91)	1.520 (38.61)

Series 806 Mil-Aero Connectors

806-019 Line Receptacle Connectors



806-019 Receptacle Dimensions						
Shell Size	A ±.010 (0.25) ±0.25 (6.35)	B Thread	C Mating Thread	D Max	ØE	ØF
7	.440 (11.18)	M8x1.0-6g-0.100R	.4375-.067P-.2L-TS-2A	.100 (2.54)	.572 (14.53)	.265 (6.73)
8	.545 (13.84)	M10x1.0-6g-0.100R	.5000-.067P-.2L-TS-2A	.100 (2.54)	.635 (16.13)	.327 (8.31)
9	.612 (15.54)	M12x1.0-6g-0.100R	.5625-.067P-.2L-TS-2A	.100 (2.54)	.702 (17.83)	.406 (10.31)
10	.680 (17.27)	M14x1.0-6g-0.100R	.6250-.067P-.2L-TS-2A	.100 (2.54)	.770 (19.56)	.484 (12.29)
11	.747 (18.97)	M15x1.0-6g-0.100R	.6875-.067P-.2L-TS-2A	.100 (2.54)	.837 (21.26)	.524 (13.31)
12	.803 (20.40)	M17x1.0-6g-0.100R	.7500-.067P-.2L-TS-2A	.100 (2.54)	.893 (22.68)	.603 (15.32)
14	.925 (23.50)	M19x1.0-6g-0.100R	.8750-.067P-.2L-TS-2A	.100 (2.54)	1.015 (25.78)	.681 (17.30)
16	1.050 (26.67)	M22x1.0-6g-0.100R	1.0000-.067P-.2L-TS-2A	.100 (2.54)	1.140 (28.96)	.782 (19.86)
18	1.160 (29.46)	M25x1.0-6g-0.100R	1.1250-.067P-.2L-TS-2A	.100 (2.54)	1.250 (31.75)	.899 (22.83)
20	1.310 (33.27)	M28x1.0-6g-0.100R	1.2500-.067P-.2L-TS-2A	.125 (3.18)	1.400 (35.56)	1.043 (26.49)
22	1.435 (36.45)	M31x1.0-6g-0.100R	1.3750-.067P-.2L-TS-2A	.125 (3.18)	1.525 (38.73)	1.155 (29.34)
24	1.560 (39.62)	M34x1.0-6g-0.100R	1.5000-.067P-.2L-TS-2A	.125 (3.18)	1.650 (41.91)	1.273 (32.33)

NOTES:

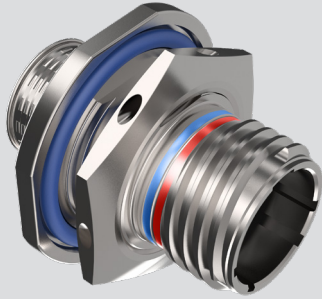
1. Boot groove for use with 809-060 Heat Shrink boots
2. Terminate shield with Glenair Band-Master ATS tool 601-108 and Glenair Nanoband

ENVIRONMENTAL, MICRO MINIATURE CIRCULAR

Series 806

Mil-Aero Connectors

806-020 Jam-nut Receptacle Connectors



Features

- Triple-start stub ACME mating thread
- High density #20HD and #22HD arrangements for reduced size and weight plus #16, #12, and #8 arrangements and combo layouts
- Aerospace-grade materials, construction
- Snap-in crimp contacts

Specifications

- Operating temperature:
Finishes ME, MT, Z1: -65°C to +200°C
Finishes NF, ZR: -65°C to +175°C
- Dielectric withstanding voltage
#20HD contacts: 1800 VAC
#22HD contacts: 1300 VAC
#16 contacts: varies; contact factory
#12 contacts: varies; contact factory
#8 contacts: varies; contact factory
- Mating durability: 500 cycles
- Mechanical shock: EIA-364-27, 300g.
- Vibration (sine): MIL-DTL-38999M, 60g.
- Vibration (random) EIA-364-28 Condition VI, Letter J, 43.92 Grms, +200°C
- High Impact shock: MIL-S-901 Grade A
- Humidity: EIA-364-31 Method 4
- Salt spray (dynamic): EIA-364-26, 500 hours (96 hours for nickel-plated versions)
- Fluid immersion: EIA-364-10
- Altitude immersion: EIA-364-03 75,000 feet altitude

Connector Construction

- Shell and jam-nut: aluminum or stainless steel
- Contacts: copper alloy, gold plating
- Wire grommet: fluorosilicone
- Dielectric inserts: high grade rigid dielectric
- Panel O-ring: fluorosilicone
- Contact retention clips: copper alloy
- Retainer rings: stainless steel, passivated

806-020 Micro miniature Series 806 connectors save size and weight compared to conventional aerospace-grade circular connectors. These high performance connectors are suitable for harsh environmental areas such as unpressurized aircraft zones subject to vibration, moisture, altitude, and temperature extremes. Integral Nano Band platform or metric accessory threads available. Insert arrangements support size #22HD, #20HD, #16, #12, and #8 snap-in, rear-release contacts.

How To Order						
SAMPLE PART NUMBER	806-020	-ME	10-15	S	M	A
Product	806-020 = Jam-nut Receptacle					
Shell Material and Finish	ME = Aluminum, Electroless Nickel MT = Aluminum, Ni/PTFE ZR = Aluminum, Black Zinc-Nickel NF = Aluminum, Olive Drab Cadmium Z1 = Stainless Steel, Passivated					
Arrangement Number (Shell Size - Insert Arr.)	See Table 1					
Contact Type	P = Pin S = Socket For datalink contacts (including El Ochito) order connector without contacts and order datalink contacts separately					
Shell Style	M = Metric accessory threads B = Nano band platform					
Polarization	A B C D E F					

Table I: Shell Size - Insert Arrangement

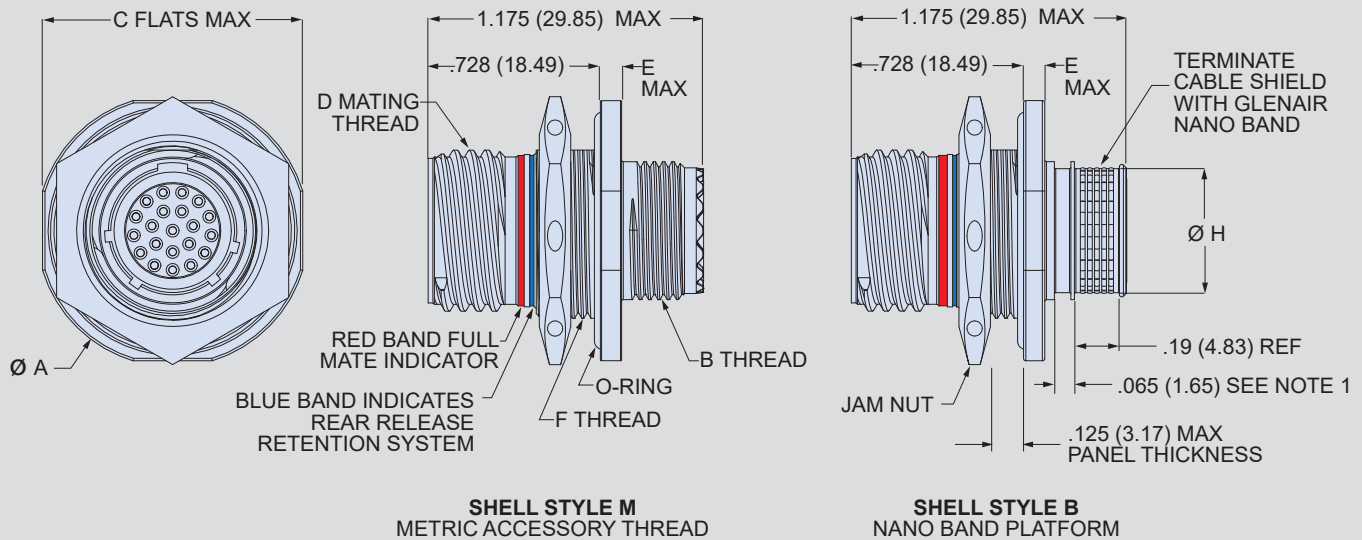
Contact Layout	Number of Contacts					Contact Layout	Number of Contacts					Contact Layout	Number of Contacts				
	22HD	20HD	16	12	8		22HD	20HD	16	12	8		22HD	20HD	16	12	8
7-3	3					22-69		69			18-3					3	
8-4	4					24-92		92			20-4					4	
8-7	7					8-1		1			22-5					5	
9-11	11					10-2		2			24-8					8	
10-15	15					11-4		4			10-8A	6		2			
11-19	19					12-5		5			11-13	11		2			
12-26	26					14-7		7			12-27	26		1			
14-39	39					16-12		12			14-21	17		4			
16-60	60					18-15		15			16-41	37		4			
18-85	85					20-22		22			18-59	55		4			
20-110	110					22-24		24			11-14	13			1		
22-140	140					24-35		35			12-14	12			2		
24-186	186					9-1		1			14-22	20			2		
8-3		3				12-2		2			16-32	28			4		
9-5		5				14-3		3			16-42	40			2		
10-8		8				16-4		4			18-62	60			2		
11-10		10				16-7		7			14-20A	19				1	
12-15		15				18-8		8			16-22	20				2	
14-20		20				20-11		11			18-21	18				3	
16-31		31				22-13		13			20-28	24				4	
18-41		41				24-19		19			22-44	40				4	
20-55		55				10-1			1		24-97	93				4	
						16-2			2								

ENVIRONMENTAL, MICRO MINIATURE CIRCULAR

Series 806

Mil-Aero Connectors

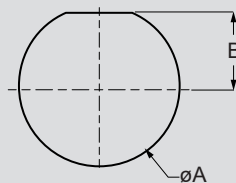
806-020 Jam-nut Receptacle Connectors



806-020 Receptacle Dimensions

Shell Size	øA Max	B Thread	C Max	D Mating Thread	E Max	F Thread	øH
7	.848 (21.54)	M8x1.0-6g-0.100R	.908 (23.06)	.5000-.067P-.2L-TS-2A	.100 (2.54)	M13x1.0-6g-0.100R	.265 (6.73)
8	.980 (24.89)	M10x1.0-6g-0.100R	.920 (23.37)	.5000-.067P-.2L-TS-2A	.100 (2.54)	M15x1.0-6g-0.100R	.327 (8.31)
9	1.040 (26.42)	M12x1.0-6g-0.100R	.980 (24.89)	.5625-.067P-.2L-TS-2A	.100 (2.54)	M16x1.0-6g-0.100R	.406 (10.31)
10	1.110 (28.19)	M14x1.0-6g-0.100R	1.050 (26.67)	.6250-.067P-.2L-TS-2A	.100 (2.54)	M18x1.0-6g-0.100R	.484 (12.29)
11	1.160 (29.46)	M15x1.0-6g-0.100R	1.110 (28.19)	.6875-.067P-.2L-TS-2A	.100 (2.54)	M19x1.0-6g-0.100R	.524 (13.31)
12	1.230 (31.24)	M17x1.0-6g-0.100R	1.170 (29.72)	.7500-.067P-.2L-TS-2A	.100 (2.54)	M21x1.0-6g-0.100R	.603 (15.32)
14	1.360 (34.54)	M19x1.0-6g-0.100R	1.320 (33.53)	.8750-.067P-.2L-TS-2A	.100 (2.54)	M24x1.0-6g-0.100R	.681 (17.30)
16	1.515 (38.48)	M22x1.0-6g-0.100R	1.444 (36.68)	1.0000-.067P-.2L-TS-2A	.100 (2.54)	M27x1.0-6g-0.100R	.782 (19.86)
18	1.610 (40.89)	M25x1.0-6g-0.100R	1.570 (39.88)	1.1250-.067P-.2L-TS-2A	.100 (2.54)	M30x1.0-6g-0.100R	.899 (22.83)
20	1.850 (46.99)	M28x1.0-6g-0.100R	1.760 (44.70)	1.2500-.067P-.2L-TS-2A	.128 (3.25)	M34x1.0-6g-0.100R	1.043 (26.49)
22	2.010 (51.05)	M31x1.0-6g-0.100R	1.913 (48.59)	1.3750-.067P-.2L-TS-2A	.128 (3.25)	M37x1.0-6g-0.100R	1.155 (29.34)
24	2.195 (55.75)	M34x1.0-6g-0.100R	2.070 (52.58)	1.5000-.067P-.2L-TS-2A	.128 (3.25)	M41x1.0-6g-0.100R	1.273 (32.33)

Jam-Nut Cutout



806-020 Jam-nut D-Hole Dimensions

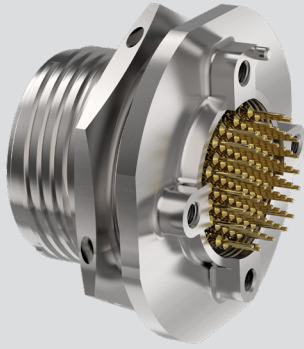
Shell Size	øA +.005/-0.00 (+.013/-0.00)	B +.005/-0.00 (+.013/-0.00)
7	.224 (5.69)	.522 (13.26)
8	.601 (15.27)	.256 (6.50)
9	.640 (16.26)	.287 (7.29)
10	.719 (18.26)	.318 (8.08)
11	.759 (19.28)	.350 (8.89)
12	.837 (21.26)	.381 (9.68)
14	.955 (24.26)	.443 (11.25)
16	1.073 (27.25)	.505 (12.83)
18	1.192 (30.28)	.568 (14.43)
20	1.349 (34.26)	.630 (16.00)
22	1.467 (37.26)	.693 (17.60)
24	1.624 (41.25)	.755 (19.18)

NOTES:

1. Boot groove for use with 809-463 Thermo-Rex Autoshrink boots
2. Terminate shield with Glenair Band-Master ATS tool 601-108 and Glenair Nanoband
3. High temperature crown ring pin and socket contacts required to meet higher operating temps

Series 806 Mil-Aero Connectors

806-021 Jam-nut Receptacle, PC Tail or Solder Cup Contacts



Features

- Triple-start stub ACME mating thread
- High density #22HD and #20HD arrangements for reduced size and weight
- Aerospace-grade materials, construction
- Integral PC board standoffs
- Threaded holes for secure attachment to rigid or flex circuits
- Alignment post

Specifications

- Operating temperature:
Finishes ME, MT, Z1: -65°C to +200°C
Finishes NF, ZR: -65°C to +175°C
- Dielectric withstanding voltage
#22HD contacts: 1300 VAC
#20HD contacts: 1800 VAC
- Mating durability: 500 cycles
- Mechanical shock: EIA-364-27, 300g.
- Vibration (sine): MIL-DTL-38999M, 60g.
- Vibration (random) EIA-364-28 Condition VI, Letter J, 43.92 Grms, +200°C
- High Impact shock: MIL-S-901 Grade A
- Humidity: EIA-364-31 Method 4
- Salt spray (dynamic): EIA-364-26, 500 hours (96 hours for nickel-plated versions)
- Fluid immersion: EIA-364-10
- Altitude immersion: EIA-364-03 75,000 feet altitude
- Indirect Lightning Strike: EIA-364-75 Type B Level 2 10kA Peak

Connector Construction

- Shell and jam-nut: aluminum or stainless steel
- Contacts: copper alloy, gold plating
- Potting compound: epoxy
- Dielectric inserts: high grade rigid dielectric
- Panel O-ring: fluorosilicone

806-021 panel mount jam-nut receptacles feature potted-in-place printed circuit board terminals, integral standoffs and threaded holes for secure attachment to rigid or flex circuit boards. Gold-plated terminals are factory-installed, non-removeable and sealed with epoxy. Boss on shell flange guarantees correct connector orientation. These high performance connectors are suitable for harsh environmental areas such as unpressurized aircraft zones subject to vibration, moisture, altitude, and temperature extremes.

How To Order						
SAMPLE PART NUMBER	806-021	-ME	10-15	S	2	A
Product	806-021 = Jam-nut Receptacle with PC Tails					
Shell Material and Finish	ME = Aluminum, Electroless Nickel MT = Aluminum, Ni/PTFE ZR = Aluminum, Black Zinc-Nickel NF = Aluminum, Olive Drab Cadmium Z1 = Stainless Steel, Passivated					
Arrangement Number (Shell Size - Insert Arr.)	See Table 1					
Contact Type	P = Pin S = Socket E = Solder Cup, Pin F = Solder Cup, Socket Not Available with El Ochito contacts see 806-039					
PC Tail Length	PC Tail Length			Solder Cup		
	1 = .125" (3.18 mm.)			Omit = Soldercup		
	2 = .250" (6.35 mm.)					
Polarization	A B C D E F					

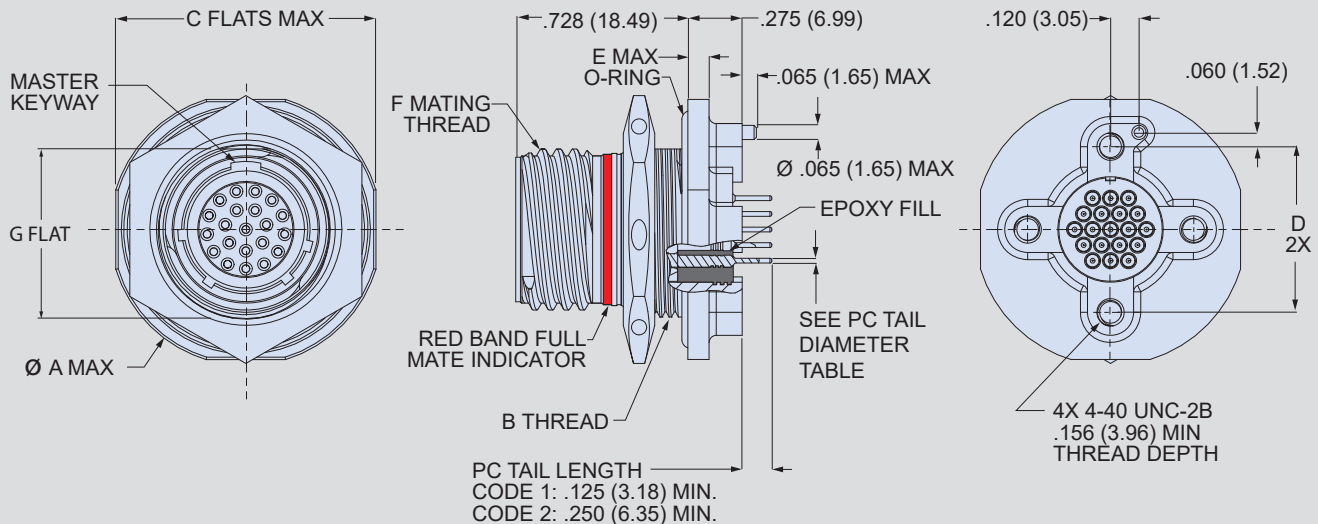
Table I: Shell Size - Insert Arrangement																	
Contact Layout	Number of Contacts					Contact Layout	Number of Contacts					Contact Layout	Number of Contacts				
	22HD	20HD	16	12	8		22HD	20HD	16	12	8		22HD	20HD	16	12	8
7-3	3					22-69		69			18-3					3	
8-4	4					24-92		92			20-4					4	
8-7	7					8-1			1		22-5					5	
9-11	11					10-2			2		24-8					8	
10-15	15					11-4			4		10-8A	6		2			
11-19	19					12-5			5		11-13	11		2			
12-26	26					14-7			7		12-27	26		1			
14-39	39					16-12			12		14-21	17		4			
16-60	60					18-15			15		16-41	37		4			
18-85	85					20-22			22		18-59	55		4			
20-110	110					22-24			24		11-14	13			1		
22-140	140					24-35			35		12-14	12			2		
24-186	186					9-1				1	14-22	20			2		
8-3		3				12-2				2	16-32	28			4		
9-5		5				14-3				3	16-42	40			2		
10-8		8				16-4				4	18-62	60			2		
11-10		10				16-7				7	14-20A	19				1	
12-15		15				18-8				8	16-22	20				2	
14-20		20				20-11				11	18-21	18				3	
16-31		31				22-13				13	20-28	24				4	
18-41		41				24-19				19	22-44	40				4	
20-55		55				10-1					24-97	93				4	
						16-2				2							

ENVIRONMENTAL, MICRO MINIATURE CIRCULAR

Series 806

Mil-Aero Connectors

806-021 Jam-nut Receptacle, PC Tail Contacts

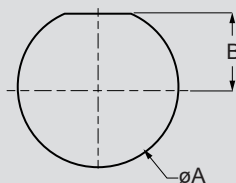


806-021 Receptacle Dimensions

Shell Size	øA Max	B Thread	C Max	D	E Max	F Mating Thread	G Flat
7	.908 (23.06)	M8x1.0-6g-0.100R	.848 (21.54)	.489 (12.42)	.100 (2.54)	.4375-.067P-2L-TS-2A	.463 (11.76)
8	.980 (24.89)	M15x1.0-6g-0.100R	.920 (23.37)	.534 (13.56)	.100 (2.54)	.5000-.067P-2L-TS-2A	.534 (13.56)
9	1.040 (26.42)	M16x1.0-6g-0.100R	.980 (24.89)	.579 (14.71)	.100 (2.54)	.5625-.067P-2L-TS-2A	.585 (14.86)
10	1.110 (28.19)	M18x1.0-6g-0.100R	1.050 (26.67)	.679 (17.25)	.100 (2.54)	.6250-.067P-2L-TS-2A	.656 (16.66)
11	1.160 (29.46)	M19x1.0-6g-0.100R	1.110 (28.19)	.734 (18.64)	.100 (2.54)	.6875-.067P-2L-TS-2A	.707 (17.96)
12	1.230 (31.24)	M21x1.0-6g-0.100R	1.170 (29.72)	.804 (20.42)	.100 (2.54)	.7500-.067P-2L-TS-2A	.777 (19.74)
14	1.360 (34.54)	M24x1.0-6g-0.100R	1.320 (33.53)	.891 (22.63)	.100 (2.54)	.8750-.067P-2L-TS-2A	.899 (22.83)
16	1.515 (38.48)	M27x1.0-6g-0.100R	1.444 (36.68)	1.049 (26.64)	.100 (2.54)	1.0000-.067P-2L-TS-2A	1.020 (25.91)
18	1.610 (40.89)	M30x1.0-6g-0.100R	1.570 (39.88)	1.148 (29.16)	.100 (2.54)	1.1250-.067P-2L-TS-2A	1.142 (29.01)
20	1.850 (46.99)	M34x1.0-6g-0.100R	1.760 (44.70)	1.252 (31.80)	.128 (3.25)	1.2500-.067P-2L-TS-2A	1.283 (32.59)
22	2.010 (51.05)	M37x1.0-6g-0.100R	1.913 (48.59)	1.369 (34.77)	.128 (3.25)	1.3750-.067P-2L-TS-2A	1.405 (35.69)
24	2.195 (55.75)	M41x1.0-6g-0.100R	2.070 (52.58)	1.509 (38.33)	.128 (3.25)	1.5000-.067P-2L-TS-2A	1.546 (39.27)

806-021 Jam-nut D-Hole Dimensions

Jam-Nut Cutout



Shell Size	øA +.005/-0.00 (+0.13/-0.00)	B +.005/-0.00 (+0.13/-0.00)
7	.522 (13.26)	.224 (5.69)
8	.601 (15.27)	.256 (6.50)
9	.640 (16.26)	.287 (7.29)
10	.719 (18.26)	.318 (8.08)
11	.759 (19.28)	.350 (8.89)
12	.837 (21.26)	.381 (9.68)
14	.955 (24.26)	.443 (11.25)
16	1.073 (27.25)	.505 (12.83)
18	1.192 (30.28)	.568 (14.43)
20	1.349 (34.26)	.630 (16.00)
22	1.467 (37.26)	.693 (17.60)
24	1.624 (41.25)	.755 (19.18)

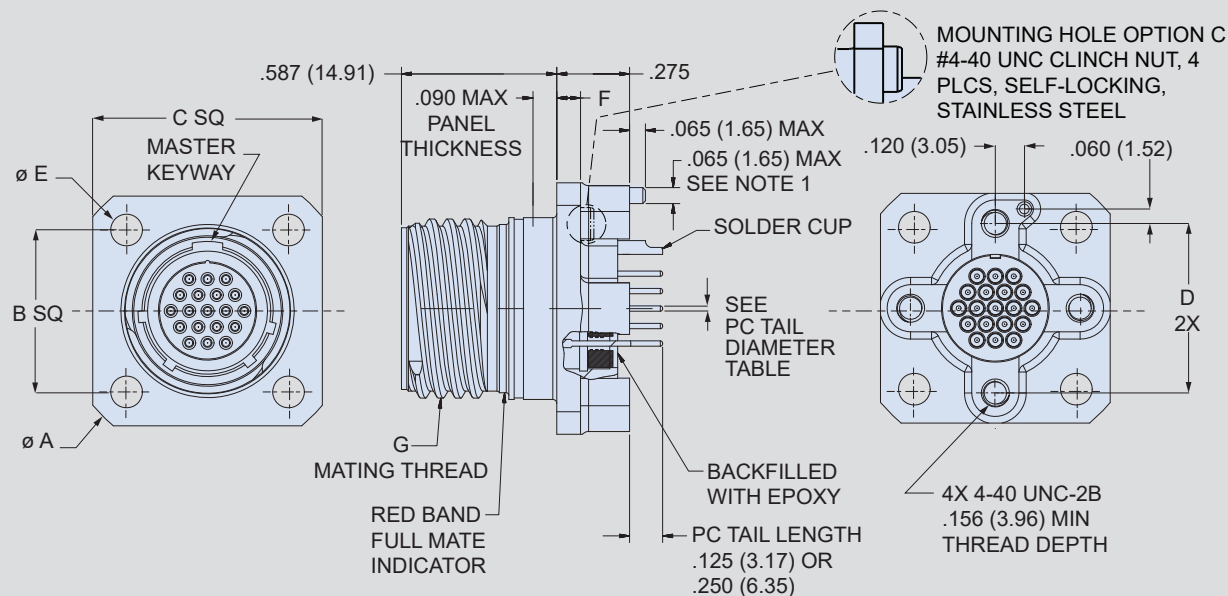
PC Tail Diameter

Contact Size	Diameter
#22 HD	.020 (0.51)
#20 HD	.030 (0.76)
#16	.062 (1.57)
#12	.094 (2.39)
#8	.180 (4.57)

Series 806 Mil-Aero Connectors



806-022 Square Flange Receptacle, PC Tail or Solder Cup Contacts

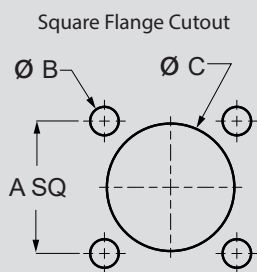


806-022 Receptacle Dimensions

Shell Size	A Max	B	C Max	D	ϕE	F Max	G Mating Thread
7	.968 (24.59)	.469 (11.91)	.750 (19.05)	.489 (12.42)	.128 (3.25)	.100 (2.54)	.4375-.067P-.2L-TS-2A
8	1.040 (26.42)	.531 (13.49)	.822 (20.88)	.534 (13.56)	.128 (3.25)	.100 (2.54)	.5000-.067P-.2L-TS-2A
9	1.130 (28.70)	.594 (15.09)	.885 (22.48)	.579 (14.71)	.128 (3.25)	.100 (2.54)	.5625-.067P-.2L-TS-2A
10	1.174 (29.82)	.625 (15.88)	.913 (23.19)	.679 (17.25)	.128 (3.25)	.100 (2.54)	.6250-.067P-.2L-TS-2A
11	1.240 (31.50)	.670 (17.02)	.960 (24.38)	.734 (18.64)	.128 (3.25)	.100 (2.54)	.6875-.067P-.2L-TS-2A
12	1.354 (34.39)	.765 (19.43)	1.040 (26.42)	.804 (20.42)	.128 (3.25)	.100 (2.54)	.7500-.067P-.2L-TS-2A
14	1.510 (38.35)	.859 (21.82)	1.133 (28.78)	.891 (22.63)	.128 (3.25)	.100 (2.54)	.8750-.067P-.2L-TS-2A
16	1.620 (41.15)	.938 (23.83)	1.242 (31.55)	1.049 (26.64)	.128 (3.25)	.100 (2.54)	1.0000-.067P-.2L-TS-2A
18	1.784 (45.31)	1.016 (25.81)	1.343 (34.11)	1.148 (29.16)	.128 (3.25)	.100 (2.54)	1.1250-.067P-.2L-TS-2A
20	1.910 (48.51)	1.109 (28.17)	1.444 (36.68)	1.252 (31.80)	.154 (3.91)	.125 (3.18)	1.2500-.067P-.2L-TS-2A
22	2.083 (52.91)	1.203 (30.56)	1.570 (39.88)	1.369 (34.77)	.154 (3.91)	.125 (3.18)	1.3750-.067P-.2L-TS-2A
24	2.200 (55.88)	1.312 (33.32)	1.704 (43.28)	1.509 (38.33)	.154 (3.91)	.125 (3.18)	1.5000-.067P-.2L-TS-2A

806-022 Panel Cutout Dimensions

Shell Size	A Sq	ϕB with Clinch Nut	ϕB without Clinch Nut	ϕC
7	.469 (11.91)	.128 (3.25)	.128 (3.25)	.443 (11.25)
8	.531 (13.49)	.128 (3.25)	.128 (3.25)	.509 (12.93)
9	.594 (15.09)	.128 (3.25)	.128 (3.25)	.577 (14.66)
10	.625 (15.88)	.128 (3.25)	.128 (3.25)	.645 (16.38)
11	.670 (17.02)	.128 (3.25)	.128 (3.25)	.712 (18.08)
12	.765 (19.43)	.128 (3.25)	.128 (3.25)	.768 (19.51)
14	.859 (21.82)	.128 (3.25)	.128 (3.25)	.890 (22.61)
16	.938 (23.83)	.128 (3.25)	.128 (3.25)	1.015 (25.78)
18	1.016 (25.81)	.128 (3.25)	.128 (3.25)	1.125 (28.58)
20	1.109 (28.17)	.128 (3.25)	.154 (3.91)	1.275 (32.39)
22	1.203 (30.56)	.128 (3.25)	.154 (3.91)	1.400 (35.56)
24	1.312 (33.32)	.128 (3.25)	.154 (3.91)	1.525 (38.73)



PC Tail Diameter

Contact Size	Diameter
#22 HD	.020 (0.51)
#20 HD	.030 (0.76)
#16	.062 (1.57)
#12	.094 (2.39)
#8	.180 (4.57)

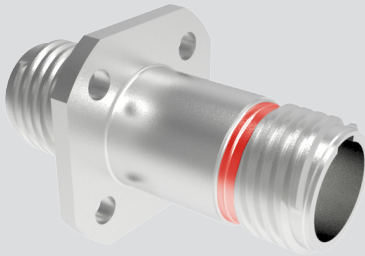
NOTES

- Integral PCB Stand off 4x 4-40 UNC .156 (3.96) min thread and locating post

ENVIRONMENTAL, MICRO MINIATURE CIRCULAR Series 806 Mil-Aero Connectors



806-029 Flange Receptacle, Bulkhead Feed-Thru



806-029 Bulkhead feed-thrus eliminate the need to permanently fix cable harnesses to panels — affording increased system flexibility, superior mechanical integrity, and greater serviceability. Environmental versions offer IP67 level sealing.

Features

- Power to a given contact on one end will result in power to contact directly opposite, regardless of identification letter.
- Electrical safety limits must be established by user. Peak voltage, switching surge, transient, ect. Should be used to determine to safe application.
- Triple-start stub ACME mating thread
- High density #20HD and #22HD arrangements for reduced size and weight plus #16, #12, and #8 arrangements and combo layouts
- Aerospace-grade materials, construction

Specifications

- Operating temperature:
Finishes ME, MT, Z1: -65°C to +200°C
Finishes NF, ZR: -65°C to +175°C
- Dielectric withstanding voltage
#20HD contacts: 1800 VAC
#22HD contacts: 1300 VAC
#16 contacts: varies; contact factory
#12 contacts: varies; contact factory
#8 contacts: varies; contact factory
- Mating durability: 500 cycles
- Mechanical shock: EIA-364-27, 300g.
- Vibration (sine): MIL-DTL-38999M, 60g.
- Vibration (random) EIA-364-28 Condition VI, Letter J, 43.92 Grms, +200°C
- High Impact shock: MIL-S-901 Grade A
- Humidity: EIA-364-31 Method 4
- Salt spray (dynamic): EIA-364-26, 500 hours (96 hours for nickel-plated versions)
- Fluid immersion: EIA-364-10
- Altitude immersion: EIA-364-03 75,000 feet altitude

Connector Construction

- Shell - AL alloy or CRES / see Table II.
- Insulators - High grade rigid dielectirc.
- Interfacial seal, grommet - fluorosilicone blend
- Contact - copper alloy / gold plate per mil-g-45204, Type II, Grade C, Class 5 (.000050 Inch) over a minimum of .000050 Inch nickel plating.

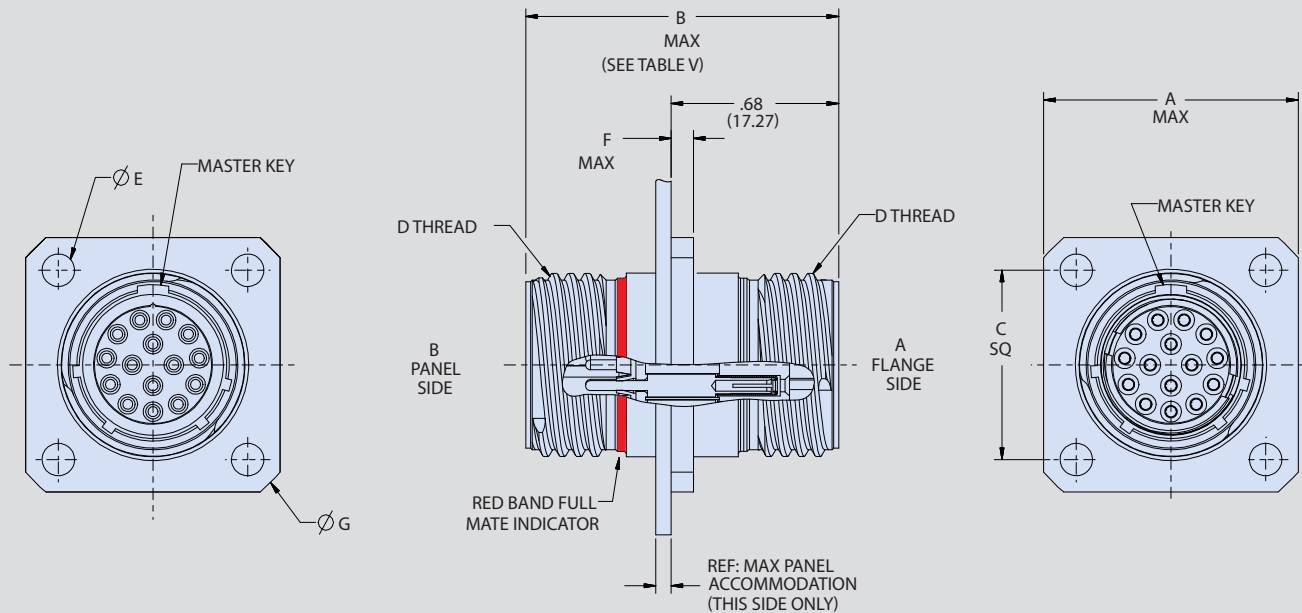
How To Order								
SAMPLE PART NUMBER	806-029	-ME	8	-7	P	C	A	-01
Product	806-029 = Square Mount Receptacle, Bulkhead Feed -Thru							
Finish Symbol	See Table III							
Shell Size	See Table II							
Insert Arrangement	See Table II; adjust table numbering as needed							
Contact Style	See Table IV							
Panel Mounting Hole Style	C = Clinch Nut, 4-40 THD M45938/6-4C (For Rear Panel Mounting Only) T = Thru Hole							
Alternate Keyway Polarization Code	A B C D E F							
Panel Accommodation	(See Table VI) -01 = .0625/.125 THK -02 = .0625/.250 THK -03 = .0625/.500 THK							

Table I: Shell Size - Insert Arrangement																	
Contact Layout	Number of Contacts					Contact Layout	Number of Contacts					Contact Layout	Number of Contacts				
	22HD	20HD	16	12	8		22HD	20HD	16	12	8		22HD	20HD	16	12	8
7-3	3					22-69		69			18-3					3	
8-4	4					24-92		92			20-4					4	
8-7	7					8-1		1			22-5					5	
9-11	11					10-2		2			24-8					8	
10-15	15					11-4		4			10-8A	6		2			
11-19	19					12-5		5			11-13	11		2			
12-26	26					14-7		7			12-27	26		1			
14-39	39					16-12		12			14-21	17		4			
16-60	60					18-15		15			16-41	37		4			
18-85	85					20-22		22			18-59	55		4			
20-110	110					22-24		24			11-14	13			1		
22-140	140					24-35		35			12-14	12			2		
24-186	186					9-1		1			14-22	20			2		
8-3		3				12-2		2			16-32	28			4		
9-5		5				14-3		3			16-42	40			2		
10-8		8				16-4		4			18-62	60			2		
11-10		10				16-7		7			14-20A	19				1	
12-15		15				18-8		8			16-22	20				2	
14-20		20				20-11		11			18-21	18				3	
16-31		31				22-13		13			20-28	24				4	
18-41		41				24-19		19			22-44	40				4	
20-55		55				10-1			1		24-97	93				4	
						16-2			2								

Series 806 Mil-Aero Connectors



806-029 Flange Receptacle, Bulkhead Feed-Thru



CONTACT STYLE "P" SHOWN

Table II

Shell size	A Max	C	D Mating Thread	ø E Thru Hole	F Max	G Max
8	0.822 (20.88)	0.531 (13.49)	.5000-.067P-.2L-TS-2A	0.128 (3.25)	0.100 (2.54)	1.040 (26.42)
9	0.885 (22.48)	0.594 (15.09)	.5625-.067P-.2L-TS-2A			1.130 (28.70)
10	0.913 (23.19)	0.625 (15.88)	.6250-.067P-.2L-TS-2A			1.174 (29.82)
11	0.960 (24.38)	0.670 (17.02)	.6875-.067P-.2L-TS-2A			1.200 (30.48)
12	1.040 (26.42)	0.765 (19.43)	.7500-.067P-.2L-TS-2A			1.354 (34.39)
14	1.133 (28.78)	0.859 (21.82)	.8750-.067P-.2L-TS-2A			1.510 (38.35)
16	1.227 (31.17)	0.938 (23.83)	1.0000-.067P-.2L-TS-2A			1.620 (41.15)
18	1.320 (33.53)	1.016 (25.81)	1.1250-.067P-.2L-TS-2A			1.784 (45.31)
20	1.444 (36.68)	1.109 (28.17)	1.2500-.067P-.2L-TS-2A			1.910 (48.51)
22	1.570 (39.88)	1.203 (30.56)	1.3750-.067P-.2L-TS-2A			0.154 (3.91)
24	1.696 (43.08)	1.312 (33.32)	1.5000-.067P-.2L-TS-2A			2.200 (55.88)

PANEL MOUNT INFO

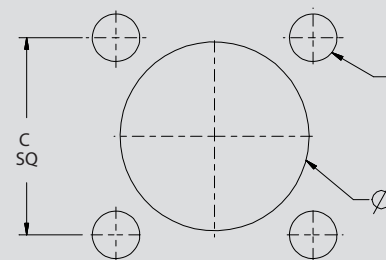


Table III

Code	Material	Finish
NF	Aluminum Alloy	Cad/Olive Drab Over Electroless Nickel
MT		Nickel-PTFE
ME		Electroless Nickel
ZR		Zinc Nickel, Black
Z1	Stainless Steel	Passivated
ZL		Electro-Deposited Nickel

Table IV

Contact Style	Description 6
P	Pin Contact On Panel Side (Socket Opposite)
S	Socket Contact On Panel Side (Pin Opposite)
PP	Pins On Both Sides
SS	Socket On Both Sides

Table V

Panel Accommodation	B Max
-01	1.29 (32.77)
-02	1.40 (35.56)
-03	1.65 (41.91)

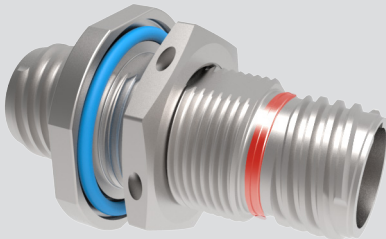
Mount Info Table VI

Size	ø J	H	
		With Clinch Nut	Without Clinch Nut
8	.505 (12.83)	.128 (3.25)	
9	.572 (14.53)		
10	.640 (16.26)		
11	.707 (17.96)		
12	.762 (19.35)		
14	.885 (22.48)		
16	1.01 (25.65)		
18	1.12 (28.45)		
20	1.27 (32.26)		
22	1.395 (35.43)		
24	1.520 (38.61)		

ENVIRONMENTAL, MICRO MINIATURE CIRCULAR Series 806 Mil-Aero Connectors



806-030 Jam Nut Receptacle, Bulkhead Feed-Thru



Features

- Power to a given contact on one end will result in power to contact directly opposite, regardless of identification letter.
- Electrical safety limits must be established by user. Peak voltage, switching surge, transient, ect. Should be used to determine to safe application.
- Triple-start stub ACME mating thread
- High density #20HD and #22HD arrangements for reduced size and weight plus #16, #12, and #8 arrangements and combo layouts
- Aerospace-grade materials, construction

Specifications

- Operating temperature:
Finishes ME, MT, Z1: -65°C to +200°C
Finishes NF, ZR: -65°C to +175°C
- Dielectric withstanding voltage
#20HD contacts: 1800 VAC
#22HD contacts: 1300 VAC
#16 contacts: varies; contact factory
#12 contacts: varies; contact factory
#8 contacts: varies; contact factory
- Mating durability: 500 cycles
- Mechanical shock: EIA-364-27, 300g.
- Vibration (sine): MIL-DTL-38999M, 60g.
- Vibration (random) EIA-364-28 Condition VI, Letter J, 43.92 Grms, +200°C
- High Impact shock: MIL-S-901 Grade A
- Humidity: EIA-364-31 Method 4
- Salt spray (dynamic): EIA-364-26, 500 hours (96 hours for nickel-plated versions)
- Fluid immersion: EIA-364-10
- Altitude immersion: EIA-364-03 75,000 feet altitude

Connector Construction

- Shell - AL alloy or CRES / see Table II.
- Insulators - High grade rigid dielectric.
- Interfacial seal, grommet - fluorosilicone blend
- Contact - copper alloy / gold plate per MIL-G-45204, Type II, Grade C, Class 5 (.000050 Inch) over a minimum of .000050 Inch nickel plating.

806-030 Bulkhead feed-thrus eliminate the need to permanently fix cable harnesses to panels — affording increased system flexibility, superior mechanical integrity, and greater serviceability. Environmental versions offer IP67 level sealing.

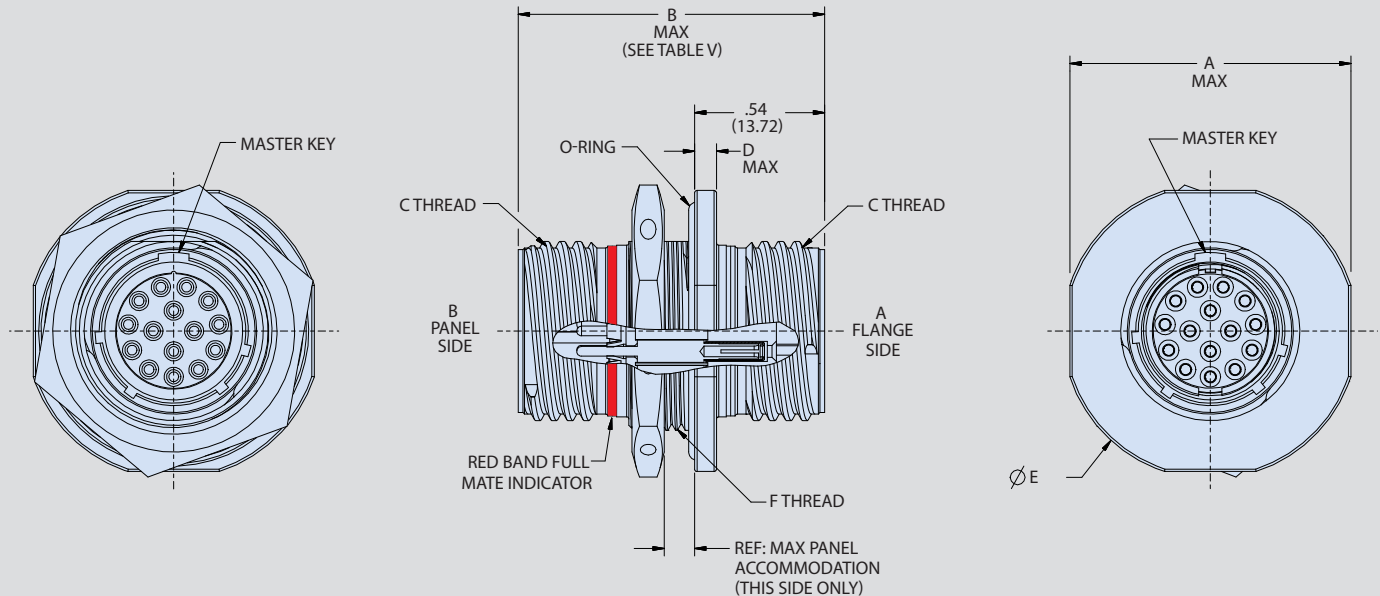
How To Order								
SAMPLE PART NUMBER		806-030	-ME	8	-7	P	A	-01
Product	806-030 = Jam-Nut Receptacle, Bulkhead Feed-Thru							
Material/Finish	See Table III							
Shell Size	See Table II							
Insert Arrangement	See Table II; adjust table numbering as needed							
Contact Style	See Table IV							
Alternate Keyway Polarization Code	A B C D E F							
Panel Accommodation	(See Table VI) -01 = .0625/.125 THK -02 = .0625/.250 THK -03 = .0625/.500 THK							

Table I: Shell Size - Insert Arrangement																	
Contact Layout	Number of Contacts					Contact Layout	Number of Contacts					Contact Layout	Number of Contacts				
	22HD	20HD	16	12	8		22HD	20HD	16	12	8		22HD	20HD	16	12	8
7-3	3					22-69	69				18-3				3		
8-4	4					24-92	92				20-4				4		
8-7	7					8-1		1			22-5				5		
9-11	11					10-2		2			24-8				8		
10-15	15					11-4		4			10-8A	6		2			
11-19	19					12-5		5			11-13	11		2			
12-26	26					14-7		7			12-27	26		1			
14-39	39					16-12		12			14-21	17		4			
16-60	60					18-15		15			16-41	37		4			
18-85	85					20-22		22			18-59	55		4			
20-110	110					22-24		24			11-14	13			1		
22-140	140					24-35		35			12-14	12			2		
24-186	186					9-1			1		14-22	20			2		
8-3		3				12-2				2	16-32	28			4		
9-5		5				14-3				3	16-42	40			2		
10-8		8				16-4				4	18-62	60			2		
11-10		10				16-7				7	14-20A	19			1		
12-15		15				18-8				8	16-22	20			2		
14-20		20				20-11				11	18-21	18			3		
16-31		31				22-13				13	20-28	24			4		
18-41		41				24-19				19	22-44	40			4		
20-55		55				10-1				1	24-97	93			4		
						16-2				2							

ENVIRONMENTAL, MICRO MINIATURE CIRCULAR Series 806 Mil-Aero Connectors



806-030 Jam Nut Receptacle, Bulkhead Feed-Thru

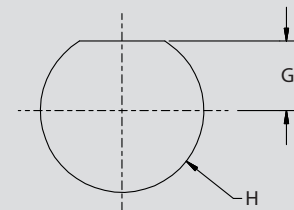


CONTACT STYLE "P" SHOWN

Table II

Shell size	A Max	C Mating Thread	D Max	ø E Max	F Thread
8	.920 (23.37)	.5000-.067P-.2L-TS-2A	.100 (2.54)	.980 (24.89)	M15 X 1-6g-.100R
9	.980 (24.89)	.5625-.067P-.2L-TS-2A		1.040 (26.42)	M16 X 1-6g-.100R
10	1.050 (26.67)	.6250-.067P-.2L-TS-2A		1.110 (28.19)	M18 X 1-6g-.100R
11	1.110 (28.19)	.6875-.067P-.2L-TS-2A		1.160 (29.46)	M19 X 1-6g-.100R
12	1.170 (29.72)	.7500-.067P-.2L-TS-2A		1.230 (31.24)	M21 X 1-6g-.100R
14	1.320 (33.53)	.8750-.067P-.2L-TS-2A		1.360 (34.54)	M24 X 1-6g-.100R
16	1.444 (36.68)	1.0000-.067P-.2L-TS-2A		1.515 (38.48)	M27 X 1-6g-.100R
18	1.570 (39.88)	1.1250-.067P-.2L-TS-2A		1.610 (40.89)	M30 X 1-6g-.100R
20	1.760 (44.70)	1.2500-.067P-.2L-TS-2A		1.850 (46.99)	M34 X 1-6g-.100R
22	1.913 (48.59)	1.3750-.067P-.2L-TS-2A		.125 (3.18)	2.010 (51.05)
24	2.070 (52.58)	1.5000-.067P-.2L-TS-2A		2.195 (55.75)	M41 X 1-6g-.100R

RECOMMENDED MOUNTING HOLE DIMENSIONS



Mount Info Table VI

Size	G +.005 -.005	ø H +.005 -.005
8	.256 (6.50)	.601 (15.27)
9	.287 (7.29)	.640 (16.26)
10	.318 (8.08)	.719 (18.26)
11	.350 (8.89)	.759 (19.28)
12	.381 (9.68)	.837 (21.26)
14	.443 (11.25)	.955 (24.26)
16	.505 (12.83)	1.073 (27.25)
18	.568 (14.43)	1.192 (30.28)
20	.630 (16.00)	1.349 (34.26)
22	.693 (17.60)	1.467 (37.26)
24	.755 (19.18)	1.624 (41.25)

Table III

Code	Material	Finish
NF	Aluminum Alloy	Cad/Olive Drab Over Electroless Nickel
MT		Nickel-PTFE
ME		Electroless Nickel (96 Hour Salt Spray)
ZR		Zinc Nickel, Black
Z1	Stainless Steel	Passivated
ZL	Steel	Electro-Deposited Nickel

Table IV

Contact Style	Description 6
P	Pin Contact On Panel Side (Socket Opposite)
S	Socket Contact On Panel Side (Pin Opposite)
PP	Pins On Both Sides
SS	Socket On Both Sides

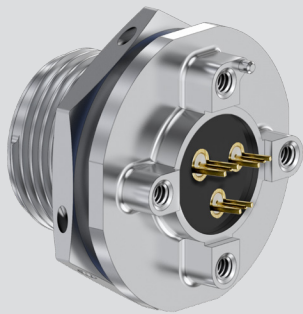
Table V

Panel Accommodation	B Max
-01	1.27 (32.26)
-02	1.40 (35.56)
-03	1.65 (41.91)

Series 806 Mil-Aero Connectors



806-058 Receptacle Coax PC Tail Contacts for 50 / 75 ohm Cable



806-058 Panel mount jam-nut receptacle is similar to our 806-022 but adds size 16 and 12 potted-in-place coaxial contacts for 50 or 75 ohm cable. Connector includes integral standoffs and threaded holes for secure attachment to rigid or flex circuit boards. Gold-plated terminals are factory-installed, non-removeable and sealed with epoxy. Boss on shell flange guarantees correct connector orientation. These high performance connectors are suitable for harsh environmental areas such as unpressurized aircraft zones subject to vibration, moisture, altitude, and temperature extremes.

Features

- Triple-start stub ACME mating thread
- Size #16, 50 ohm or #12, 75 ohm contacts
- Aerospace-grade materials, construction
- Integral PC board standoffs
- Threaded holes for secure attachment to rigid or flex circuits
- Alignment post

Specifications

- Operating temperature:
Finishes ME, MT, Z1: -65°C to +200°C
Finishes NF, ZR: -65°C to +175°C
- Dielectric withstanding voltage
#16 coax contacts: 800 VAC, VSWR rating 1.5:1 maximum up to 700 MHz.
#12 coax contacts: varies, see contacts section
- Mating durability: 500 cycles
- Mechanical shock: EIA-364-27, 300g.
- Vibration (sine): MIL-DTL-38999M, 60g.
- Vibration (random) EIA-364-28 Condition VI, Letter J, 43.92 Grms, +200°C
- High Impact shock: MIL-S-901 Grade A
- Humidity: EIA-364-31 Method 4
- Salt spray (dynamic): EIA-364-26, 500 hours (96 hours for nickel-plated versions)
- Fluid immersion: EIA-364-10
- Altitude immersion: EIA-364-03 75,000 feet altitude
- Indirect Lightning Strike: EIA-364-75 Type B Level 2 10kA Peak

Connector Construction

- Shell and jam-nut: aluminum or stainless steel
- Contacts: copper alloy, gold plating
- Potting compound: epoxy
- Dielectric inserts: high grade rigid dielectric
- Panel O-ring: fluorosilicone

How To Order

SAMPLE PART NUMBER					
	806-058	-ME	12-5	P1	A
Product	806-058 = Jam-nut Receptacle with PC Tails				
Shell Material and Finish	ME = Aluminum, Electroless Nickel MT = Aluminum, Ni/PTFE ZR = Aluminum, Black Zinc-Nickel NF = Aluminum, Olive Drab Cadmium Z1 = Stainless Steel, Passivated				
Arrangement Number (Shell Size - Insert Arr.)	See Table 1				
Contact Type	See Coax Contacts Table				
Polarization	A B C D E F				

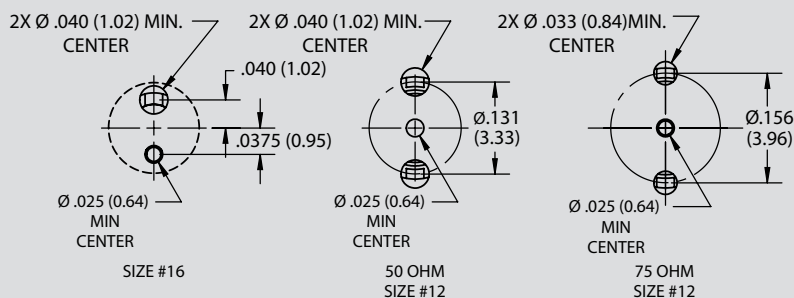
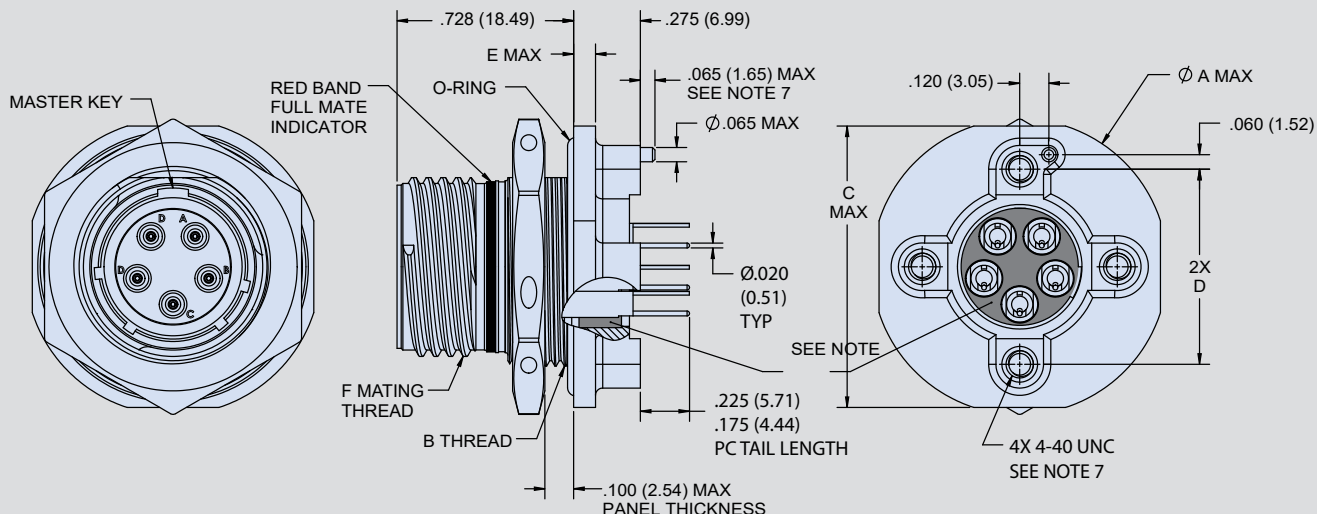
Table I: Shell Size - Insert Arrangement

Contact Layout	Number of Contacts			Contact Layout	Number of Contacts			Contact Layout	Number of Contacts		
	22HD	16	12		22HD	16	12		22HD	16	12
8-1		1		9-1			1	11-13	11	2	
10-2		2		12-2			2	12-27	26	1	
11-4		4		14-3			3	14-21	17	4	
12-5		5		16-4			4	16-41	37	4	
14-7		7		16-7			7	18-59	55	4	
16-12		12		18-8			8	11-14	13		1
18-15		15		20-11			11	12-14	12		2
20-22		22		22-13			13	14-22	20		2
22-24		24		24-19			19	16-32	28		4
24-35		35		10-8A	6	2		16-42	40		2
								18-62	60		2

Series 806 Mil-Aero Connectors



806-058 Receptacle Coax PC Tail Contacts for 50 / 75 ohm Cable



COAX PCB FOOTPRINT

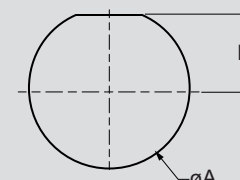
Coax Contacts		
Contact Description	Contact Type	
50 ohm Coax	Pin	P1
	Socket	S1
75 ohm Coax	Pin	P2
	Socket	S2

806-058 Receptacle Dimensions						
Shell Size	øA Max	B Thread	C Max	D	E Max	F Mating Thread
8	.980 (24.89)	M15x1.0-6g-0.100R	.920 (23.37)	.534 (13.56)	.100 (2.54)	.5000-.067P-.2L-TS-2A
9	1.040 (26.42)	M16x1.0-6g-0.100R	.980 (24.89)	.579 (14.71)	.100 (2.54)	.5625-.067P-.2L-TS-2A
10	1.110 (28.19)	M18x1.0-6g-0.100R	1.050 (26.67)	.679 (17.25)	.100 (2.54)	.6250-.067P-.2L-TS-2A
11	1.160 (29.46)	M19x1.0-6g-0.100R	1.110 (28.19)	.734 (18.64)	.100 (2.54)	.6875-.067P-.2L-TS-2A
12	1.230 (31.24)	M21x1.0-6g-0.100R	1.170 (29.72)	.804 (20.42)	.100 (2.54)	.7500-.067P-.2L-TS-2A
14	1.360 (34.54)	M24x1.0-6g-0.100R	1.320 (33.53)	.891 (22.63)	.100 (2.54)	.8750-.067P-.2L-TS-2A
16	1.515 (38.48)	M27x1.0-6g-0.100R	1.444 (36.68)	1.049 (26.64)	.100 (2.54)	1.0000-.067P-.2L-TS-2A
18	1.610 (40.89)	M30x1.0-6g-0.100R	1.570 (39.88)	1.148 (29.16)	.100 (2.54)	1.1250-.067P-.2L-TS-2A
20	1.850 (46.99)	M34x1.0-6g-0.100R	1.760 (44.70)	1.252 (31.80)	.128 (3.25)	1.2500-.067P-.2L-TS-2A
22	2.010 (51.05)	M37x1.0-6g-0.100R	1.913 (48.59)	1.369 (34.77)	.128 (3.25)	1.3750-.067P-.2L-TS-2A
24	2.195 (55.75)	M41x1.0-6g-0.100R	2.070 (52.58)	1.509 (38.33)	.128 (3.25)	1.5000-.067P-.2L-TS-2A

806-021 Jam-nut D-Hole Dimensions		
Shell Size	øA	B
	+0.005/-0.00 (+0.13/-0.00)	+0.005/-0.00 (+0.13/-0.00)
8	.256 (6.50)	.601 (15.27)
9	.287 (7.29)	.640 (16.26)
10	.719 (18.26)	.318 (8.08)
11	.350 (8.89)	.759 (19.28)
12	.381 (9.68)	.837 (21.26)
14	.955 (24.26)	.443 (11.25)
16	1.073 (27.25)	.505 (12.83)
18	1.192 (30.28)	.568 (14.43)
20	1.349 (34.26)	.630 (16.00)
22	1.467 (37.26)	.693 (17.60)
24	1.624 (41.25)	.755 (19.18)

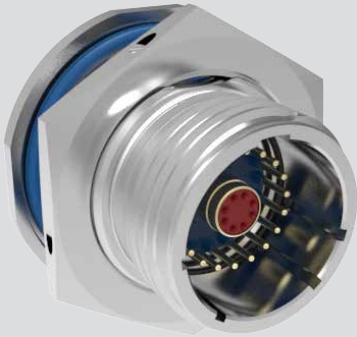
NOTES

1. 75 ohm P2 S2 is available only on #12 arrangements



Series 806 Mil-Aero Connectors

806-039 Jam-Nut PCB Receptacle Connectors, High-Speed / RF



Features

- Triple-start stub ACME mating thread
- Size 8 El Ochito or RF standard arrangements or hybrid size 8 and 22 arrangements
- Aerospace-grade materials, construction
- Integral PC board standoffs
- Threaded holes for secure attachment to rigid or flex circuits
- Alignment post

Specifications

- Operating temperature: -65°C to +175°C
- Dielectric withstanding voltage #22HD contacts: 1300 VAC
- #8 contacts: varies; contact factory
- Mating durability: 500 cycles
- Mechanical shock: EIA-364-27, 300g.
- Vibration (sine): MIL-DTL-38999M, 60g.
- Vibration (random) EIA-364-28 Condition VI, Letter J, 43.92 Grms, +200°C
- High Impact shock: MIL-S-901 Grade A
- Humidity: EIA-364-31 Method 4
- Salt spray (dynamic): EIA-364-26, 500 hours (96 hours for nickel-plated versions)
- Fluid immersion: EIA-364-10
- Altitude immersion: EIA-364-03 75,000 feet altitude
- Indirect Lightning Strike: EIA-364-75 Type B Level 2 10kA Peak

Connector Construction

- Shell, jam-nut: aluminum or stainless steel
- Contacts: copper alloy, gold plating
- Potting compound: epoxy
- Interfacial seal and peripheral seal: fluorosilicone
- Dielectric inserts: high grade rigid dielectric
- Panel O-ring: fluorosilicone

806-039 Jam-nut PCB receptacles with potted-in-place printed circuit board terminals, integral standoffs, and threaded holes for secure attachment to rigid or flex circuit boards. Series supports hybrid signal and high-speed / RF shielded contacts including Glenair Signature El Ochito, Quadrax, 50 Ohm Coax, and differential Twinax for 10GbE, HDMI, USB 3.0, and RF applications. Micro miniature Series 806 connectors save size and weight compared to legacy aerospace-grade circular connectors. These hybrid insert arrangement connectors are suitable for high-speed digital and standard signal applications in unpressurized aircraft zones subject to vibration, moisture, altitude, and temperature extremes.

How To Order							
SAMPLE PART NUMBER	-ME	14	E3	-	20A	S	A
Product	806-039 = Jam-Nut, El Ochito PCB Receptacle						
Shell Material and Finish	ME = Aluminum, Electroless Nickel MT = Aluminum, Ni/PTFE ZR = Aluminum, Black Zinc-Nickel NF = Aluminum, Cad Olive Drab Z1 = Stainless Steel, Passivated						
Shell Size	See Table I						
Contact Type	See Table II						
Ground Option	G = Common Ground* Dash (-) = None *Available for 10-1, 16-2, 18-3, 20-4, 22-5, and 24-8 inserts						
Contact Layout	See Table I						
Contact Gender	P = Pin S = Socket; see Table III for El Ochito mating contacts						
Polarization	A B C D E F						

Table I: Shell Size - Insert Arrangement		
Shell Size - Contact Layout	Number of Contacts	
	22HD	8
10-1		1
16-2		2
18-3		3
20-4		4
22-5		5
24-8		8
14-20A	19	1
16-22	20	2
18-21	18	3
20-28	24	4
22-44	40	4
24-97	93	4

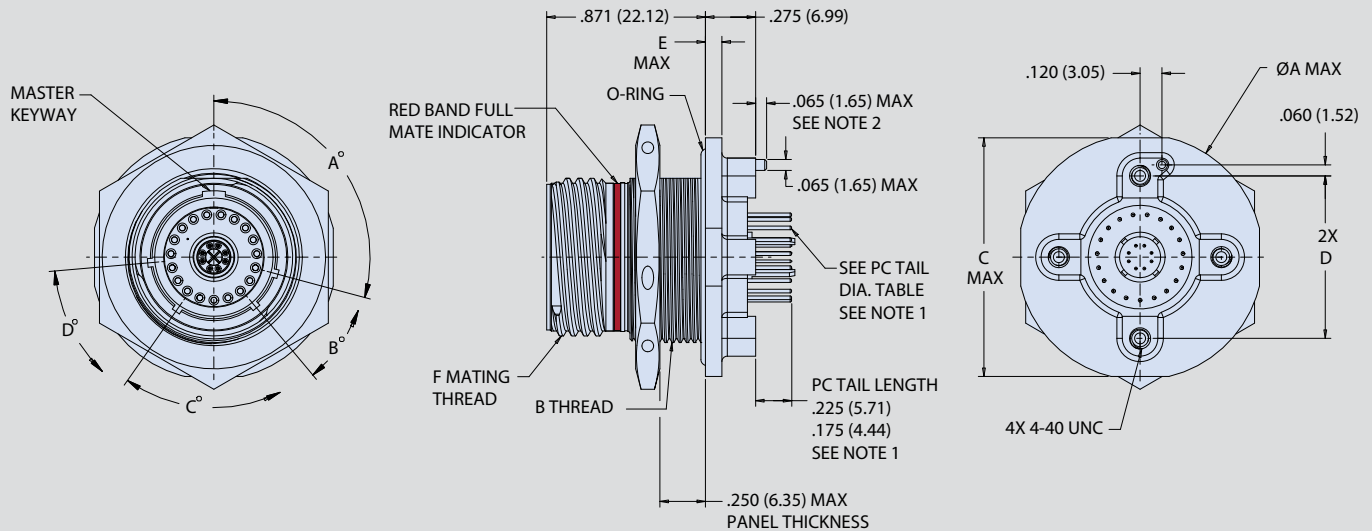
Table II: Contact Type	
Contact Symbol	Description
C	Coax, 50 ohm
D	Differential Twinax 100 ohm
E**	El Ochito
Q	Quadrax, 100 ohm

**See Table III for complete Protocol Code

ENVIRONMENTAL, MICRO MINIATURE CIRCULAR Series 806 Mil-Aero Connectors



806-039 Jam-Nut PCB Receptacle Connectors, High-Speed / RF



Dimensions

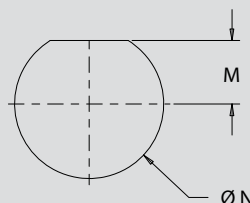
Shell Size	ØA Max	B Thread	C Max	D	E Max	F Mating Thread
10	1.110 (28.19)	M18 x 1-6g-100R	1.050 (26.67)	0.679 (17.25)	0.100 (2.54)	.625-.067P-.2L-TS-2A
14	1.360 (34.54)	M24 x 1-6g-100R	1.320 (33.53)	0.891 (22.63)	0.100 (2.54)	.875-.067P-.2L-TS-2A
16	1.515 (38.48)	M27 x 1-6g-100R	1.444 (36.68)	1.049 (26.64)	0.100 (2.54)	1.000-.067P-.2L-TS-2A
18	1.610 (40.89)	M30 x 1-6g-100R	1.570 (39.88)	1.148 (29.16)	0.100 (2.54)	1.125-.067P-.2L-TS-2A
20	1.850 (46.99)	M34 x 1-6g-100R	1.760 (44.70)	1.252 (31.80)	0.128 (3.25)	1.250-.067P-.2L-TS-2A
22	2.010 (51.05)	M37 x 1-6g-100R	1.913 (48.59)	1.369 (34.77)	0.128 (3.25)	1.375-.067P-.2L-TS-2A
24	2.195 (55.75)	M41 x 1-6g-100R	2.070 (52.58)	1.509 (38.33)	0.128 (3.25)	1.5000-.067P-.2L-TS-2A

PC Tail Diameter

Contact Size	PC Tail
22	Ø.020 (0.51)
Coax Signal	Ø.025 (0.64)
Diff Twinax Signal	Ø.025 (0.64)
El Ochito Signal	Ø.016 (0.41)
Quadrax Signal	Ø.025 (0.64)
Twinax Signal	Ø.025 (0.64)
Size 8 Ground	.030 (0.76) SQ.

Jam-Nut D-Hole Dimensions

Shell Size	M	N
	+0.005 (0.13)	+0.005 (0.13)
	0.000 (0.0)	0.00 (0.0)
10	0.318 (8.08)	0.719 (18.26)
14	0.443 (11.25)	0.955 (24.26)
16	0.505 (12.83)	1.073 (27.25)
18	0.568 (14.43)	1.192 (30.28)
20	0.630 (16.00)	1.349 (34.26)
22	0.693 (17.60)	1.467 (37.26)
24	0.755 (19.18)	1.624 (41.25)



NOTES

1. See Glenair application note AN0002 for optimal El Ochito board layout and design
2. Integral PCB Stand off 4x 4-40 UNC .156 min thread and locating post
3. See Table III for different combinations of El Ochito types
4. Connector meets all performance requirements of Glenair product specification 806-014 and applies to all finishes
5. Receptacle connector mates with all quick coupling, Glenair 806 style, plug connectors with same polarization and opposite contact gender

Series 806 Mil-Aero Connectors



806-039 Jam-Nut PCB Receptacle Connectors, High-Speed / RF

El Ocho Mating Contact		
PART NUMBER	PROTOCOLS	
WHITE - PIN	858-045 Type I	10GBASE-T ETHERNET, CAT 6A 40GBASE-T ETHERNET, CAT 8
	858-051 Type II	10GBASE-T ETHERNET, CAT 6A 40GBASE-T ETHERNET, CAT 8
WHITE - SKT	858-046 Type I	10GBASE-T ETHERNET, CAT 6A 40GBASE-T ETHERNET, CAT 8
	858-052 Type II	10GBASE-T ETHERNET, CAT 6A 40GBASE-T ETHERNET, CAT 8
BLUE - PIN	858-047	USB 3.0, OTHER 90 OHM SIGNALS
BLUE - SKT	858-048	USB 3.0, OTHER 90 OHM SIGNALS
RED - PIN	858-049	HDMI, DISPLAYPORT, SATA, OTHER 100 OHM SIGNALS
RED - SKT	858-050	HDMI, DISPLAYPORT, SATA, OTHER 100 OHM SIGNALS

El Ocho Protocols		
WHITE	BLUE	RED
10GBASE-T	USB 3.0	HDMI, SATA, DisplayPort

The Ocho octaxial contact has a color-coded insulator signifying the data protocol. White is used for 10 Gb Ethernet, blue is used for USB 3.0, and red is used for multi gigabit 100 ohm protocols including HDMI, DisplayPort and SATA. The connector part number includes a protocol code from Table III. This code determines specific contact position for every combination of protocol.



Example
Code E7



Example
Code E5

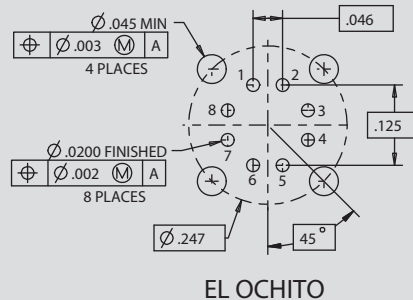
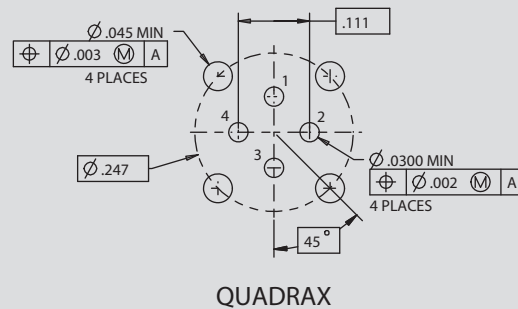
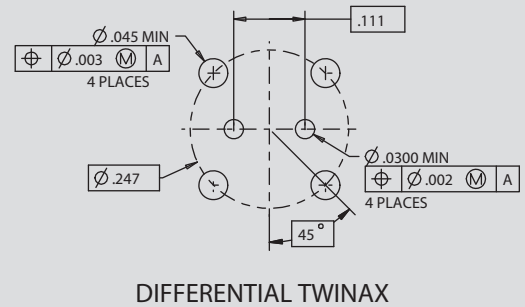
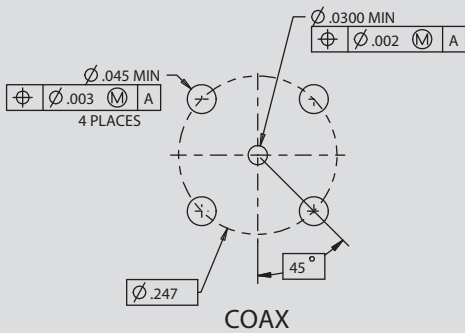
Table III - Protocol Code for El Ocho Contact Positions B = Blue, R = Red, W = White								
SYMBOL	Contact							
	A	B	C	D	E	F	G	H
E	W	W	W	W	W	W	W	W
E2	B	W	W	W	W	W	W	W
E3	R	W	W	W	W	W	W	W
E4	B	B	W	W	W	W	W	W
E5	R	B	W	W	W	W	W	W
E6	R	R	W	W	W	W	W	W
E7	B	B	B	W	W	W	W	W
E8	R	B	B	W	W	W	W	W
E9	R	R	B	W	W	W	W	W
E10	R	R	R	W	W	W	W	W
E11	B	B	B	B	W	W	W	W
E12	R	B	B	B	W	W	W	W
E13	R	R	B	B	W	W	W	W
E14	R	R	R	B	W	W	W	W
E15	R	R	R	R	W	W	W	W
E16	B	B	B	B	B	W	W	W
E17	R	B	B	B	B	W	W	W
E18	R	R	B	B	B	W	W	W
E19	R	R	R	B	B	W	W	W
E20	R	R	R	R	B	W	W	W
E21	R	R	R	R	R	W	W	W
E22	B	B	B	B	B	B	W	W
E23	R	B	B	B	B	B	W	W
E24	R	R	B	B	B	B	W	W
E25	R	R	R	B	B	B	W	W
E26	R	R	R	R	B	B	W	W
E27	R	R	R	R	R	B	W	W
E28	R	R	R	R	R	R	W	W
E29	B	B	B	B	B	B	B	W
E30	R	B	B	B	B	B	B	W
E31	R	R	B	B	B	B	B	W
E32	R	R	R	B	B	B	B	W
E33	R	R	R	R	B	B	B	W
E34	R	R	R	R	R	B	B	W
E35	R	R	R	R	R	R	B	W
E36	R	R	R	R	R	R	R	W
E37	B	B	B	B	B	B	B	B
E38	R	B	B	B	B	B	B	B
E39	R	R	B	B	B	B	B	B
E40	R	R	R	B	B	B	B	B
E41	R	R	R	R	B	B	B	B
E42	R	R	R	R	R	B	B	B
E43	R	R	R	R	R	R	B	B
E44	R	R	R	R	R	R	R	B
E45	R	R	R	R	R	R	R	R

Series 806 Mil-Aero Connectors

806-039 Jam-Nut PCB Receptacle Connectors, High-Speed / RF

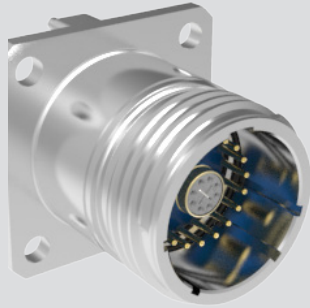
Size 8 PCB Footprints for Coax, Quadrx, Twinax and El Ochito

See Appendix A for complete PCB footprint details



Series 806 Mil-Aero Connectors

806-040 Box Mount PCB Receptacle Connectors, High-Speed / RF



Features

- Triple-start stub ACME mating thread
- Size 8 El Ochito arrangements or hybrid size 8 and 22 arrangements
- Aerospace-grade materials, construction
- Integral PC board standoffs
- Threaded holes for secure attachment to rigid or flex circuits
- Alignment post

Specifications

- Operating temperature: -65°C to +175°C
- Dielectric withstanding voltage:
#22HD contacts: 1300 VAC
#8 contacts: contact factory
- Mating durability: 500 cycles
- Mechanical shock: EIA-364-27, 300g.
- Vibration (sine): MIL-DTL-38999M, 60g.
- Vibration (random) EIA-364-28 Condition VI, Letter J, 43.92 Grms, +200°C
- High Impact shock: MIL-S-901 Grade A
- Humidity: EIA-364-31 Method 4
- Salt spray (dynamic): EIA-364-26, 500 hours (96 hours for nickel-plated versions)
- Fluid immersion: EIA-364-10
- Altitude immersion: EIA-364-03 75,000 feet altitude
- Indirect Lightning Strike: EIA-364-75 Type B Level 2 10kA Peak

Connector Construction

- Shell, jam-nut: aluminum or stainless steel
- Contacts: copper alloy, gold plating
- Potting compound: epoxy
- Interfacial seal and peripheral seal: fluorosilicone
- Dielectric inserts: high grade rigid dielectric
- Clinch nuts: stainless steel, passivated

806-040 Box-mount PCB receptacles with potted-in-place printed circuit board terminals, integral standoffs, and threaded holes for secure attachment to rigid or flex circuit boards. Series supports hybrid signal and high-speed / RF shielded contacts including Glenair Signature El Ochito, Quadrax, 50 Ohm Coax, and differential Twinax for 10GbE, HDMI, USB 3.0, and RF applications. Micro miniature Series 806 connectors save size and weight compared to legacy aerospace-grade circular connectors. These hybrid insert arrangement connectors are suitable for high-speed digital and standard signal applications in unpressurized aircraft zones subject to vibration, moisture, altitude, and temperature extremes.

How To Order	
SAMPLE PART NUMBER	806-040 -ME 14 E - 20A S T A
Product	806-040 = Box Mount, El Ochito PCB Receptacle
Shell Material and Finish	ME = Aluminum, Electroless Nickel MT = Aluminum, Ni/PTFE ZR = Aluminum, Black Zinc-Nickel NF = Aluminum, Olive Drab Cadmium Z1 = Stainless Steel, Passivated
Shell Size	See Table I
Contact Type	See Table II
Ground Option	G = Common Ground Dash (-) = None Available for 10-1, 16-2, 18-3, 20-4, 22-5, and 24-8 inserts
Contact Layout	See Table I
Contact Gender	P = Pin S = Socket; see Table VI for El Ochito mating contacts
Mounting Hole Style	T = Thru holes C = Clinch nut flange, #4-40, M45938/6-4C (rear panel mounting); consult factory for SST material
Polarization	A B C D E F

Table I: Shell Size - Insert Arrangement		
Contact Layout	Number of Contacts	
	22HD	8
10-1		1
16-2		2
18-3		3
20-4		4
22-5		5
24-8		8
14-20A	19	1
16-22	20	2
18-21	18	3
20-28	24	4
22-44	40	4
24-97	93	4

Table II: Contact Type	
Contact Symbol	Description
C	Coax, 50 ohm
D	Differential Twinax 100 ohm
E**	El Ochito (see Table IV for symbol)
Q	Quadrax, 100 ohm

**See Table III for complete Protocol Code

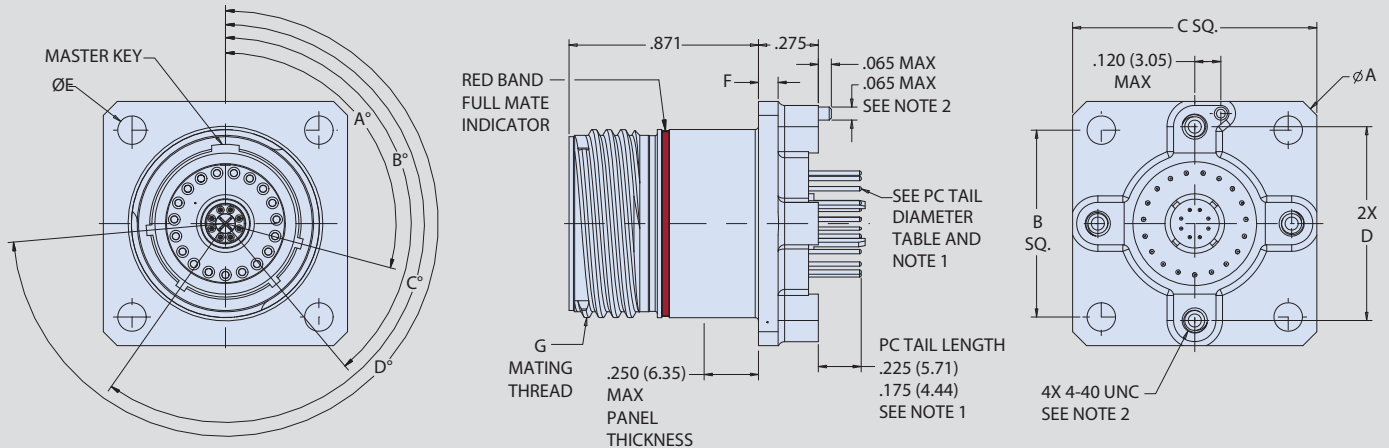
ENVIRONMENTAL, MICRO MINIATURE CIRCULAR

Series 806

Mil-Aero Connectors



806-040 Box Mount PCB Receptacle Connectors, High-Speed / RF



Dimensions

Shell Size	A Max	B	C Max	D	E Mounting Hole	F Flange Thickness	G Mating Thread
10	1.174 (29.82)	0.625 (15.88)	0.913 (23.19)	0.679 (17.25)	0.128 (3.25)	0.100 (2.54)	.625-.067P-.2L-TS-2B
14	1.510 (38.35)	0.859 (21.82)	1.133 (28.78)	0.891 (22.63)			.875-.067P-.2L-TS-2B
16	1.620 (41.15)	0.938 (23.83)	1.242 (31.55)	1.049 (26.64)			1.000-.067P-.2L-TS-2B
18	1.784 (45.31)	1.016 (25.81)	1.343 (34.11)	1.148 (29.16)			1.125-.067P-.2L-TS-2B
20	1.910 (48.51)	1.109 (28.17)	1.444 (36.68)	1.252 (31.80)			1.250-.067P-.2L-TS-2B
22	2.083 (52.91)	1.203 (30.56)	1.570 (39.88)	1.369 (34.77)	0.154 (3.91)	0.125 (3.18)	1.375-.067P-.2L-TS-2B
24	2.200 (55.88)	1.312 (33.32)	1.704 (43.28)	1.509 (38.33)			1.500-.067P-.2L-TS-2B

PC Tail Diameter

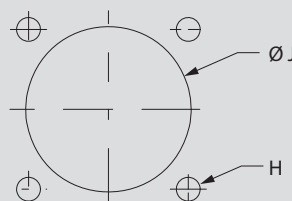
CONTACT SIZE	PC TAIL
22	Ø.020 (0.51)
COAX	Ø.025 (0.64)
DIFF TWINAX	Ø.025 (0.64)
EL OCHITO	Ø.016 (0.41)
QUADRAX	Ø.025 (0.64)
SIZE 8 GROUND	.030 (0.76) SQ.

Recommended Mounting Hole

Shell Size	ØJ	H	
		With Clinch Nut	Without Clinch Nut
10	0.645 (16.38)	0.128 (3.25)	0.128 (3.25)
14	0.890 (22.61)		
16	1.015 (25.78)		
18	1.125 (28.58)		
20	1.275 (32.39)		
22	1.400 (35.56)	0.154 (3.91)	0.154 (3.91)
24	1.525 (38.73)		

NOTES

1. See Glenair application note AN0002 for optimal EI Ochito board layout and design
2. Integral PCB Stand off 4x 4-40 UNC .156 min thread and locating post
3. See Table V for different combinations of EI Ochito types
4. Connector meets all performance requirements of Glenair product specification 806-014 and applies to all finishes
5. Receptacle connector mates with all quick coupling, Glenair 806 style, plug connectors with same polarization and opposite contact gender



Series 806 Mil-Aero Connectors

806-040 Box Mount PCB Receptacle Connectors, High-Speed / RF

El Ochito Mating Contact		
PART NUMBER	PROTOCOLS	
WHITE - PIN	858-045 Type I	10GBASE-T ETHERNET, CAT 6A 40GBASE-T ETHERNET, CAT 8
	858-051 Type II	10GBASE-T ETHERNET, CAT 6A 40GBASE-T ETHERNET, CAT 8
WHITE - SKT	858-046 Type I	10GBASE-T ETHERNET, CAT 6A 40GBASE-T ETHERNET, CAT 8
	858-052 Type II	10GBASE-T ETHERNET, CAT 6A 40GBASE-T ETHERNET, CAT 8
BLUE - PIN	858-047	USB 3.0, OTHER 90 OHM SIGNALS
BLUE - SKT	858-048	USB 3.0, OTHER 90 OHM SIGNALS
RED - PIN	858-049	HDMI, DISPLAYPORT, SATA, OTHER 100 OHM SIGNALS
RED - SKT	858-050	HDMI, DISPLAYPORT, SATA, OTHER 100 OHM SIGNALS

El Ochito Protocols		
WHITE	BLUE	RED
10GBASE-T	USB 3.0	HDMI, SATA, DisplayPort

The Ochito octaxial contact has a color-coded insulator signifying the data protocol. White is used for 10 Gb Ethernet, blue is used for USB 3.0, and red is used for multi gigabit 100 ohm protocols including HDMI, DisplayPort and SATA. The connector part number includes a protocol code from Table III. This code determines specific contact position for every combination of protocol.



Example
Code E7



Example
Code E5

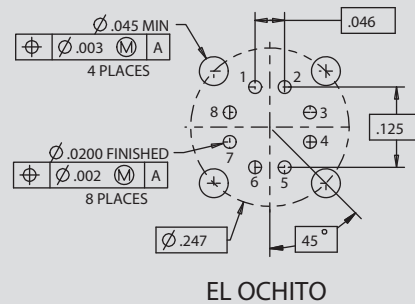
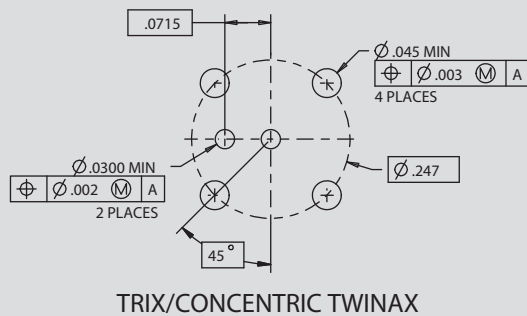
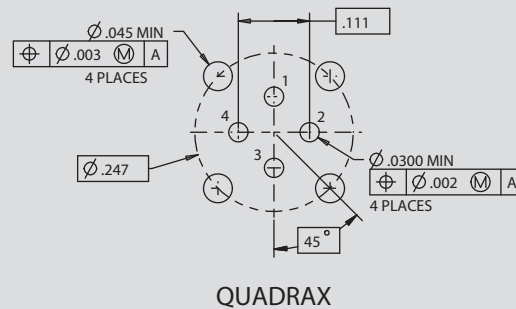
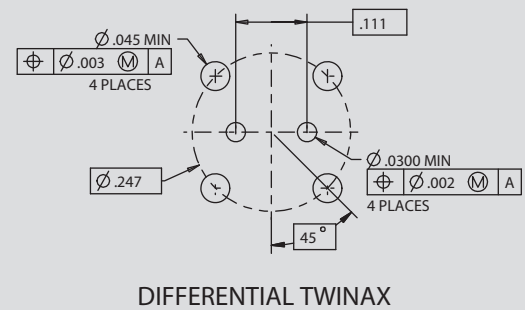
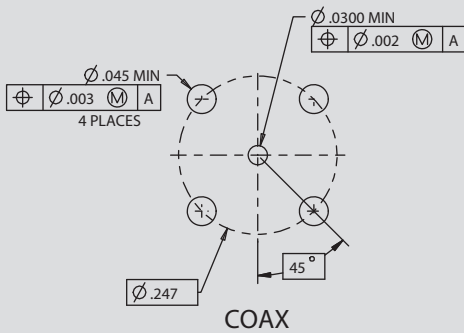
Table III: Protocol Code for El Ochito Contact Positions B = Blue, R = Red, W = White								
SYMBOL	Contact							
	A	B	C	D	E	F	G	H
E	W	W	W	W	W	W	W	W
E2	B	W	W	W	W	W	W	W
E3	R	W	W	W	W	W	W	W
E4	B	B	W	W	W	W	W	W
E5	R	B	W	W	W	W	W	W
E6	R	R	W	W	W	W	W	W
E7	B	B	B	W	W	W	W	W
E8	R	B	B	W	W	W	W	W
E9	R	R	B	W	W	W	W	W
E10	R	R	R	W	W	W	W	W
E11	B	B	B	B	W	W	W	W
E12	R	R	B	B	W	W	W	W
E13	R	R	B	B	W	W	W	W
E14	R	R	R	B	W	W	W	W
E15	R	R	R	R	W	W	W	W
E16	B	B	B	B	B	W	W	W
E17	R	B	B	B	B	W	W	W
E18	R	R	B	B	B	W	W	W
E19	R	R	R	B	B	W	W	W
E20	R	R	R	R	B	W	W	W
E21	R	R	R	R	R	W	W	W
E22	B	B	B	B	B	B	W	W
E23	R	B	B	B	B	B	W	W
E24	R	R	B	B	B	B	W	W
E25	R	R	R	B	B	B	W	W
E26	R	R	R	R	B	B	W	W
E27	R	R	R	R	R	B	W	W
E28	R	R	R	R	R	R	W	W
E29	B	B	B	B	B	B	B	W
E30	R	B	B	B	B	B	B	W
E31	R	R	B	B	B	B	B	W
E32	R	R	R	B	B	B	B	W
E33	R	R	R	R	B	B	B	W
E34	R	R	R	R	R	B	B	W
E35	R	R	R	R	R	R	B	W
E36	R	R	R	R	R	R	R	W
E37	B	B	B	B	B	B	B	B
E38	R	B	B	B	B	B	B	B
E39	R	R	B	B	B	B	B	B
E40	R	R	R	B	B	B	B	B
E41	R	R	R	R	B	B	B	B
E42	R	R	R	R	R	B	B	B
E43	R	R	R	R	R	R	B	B
E44	R	R	R	R	R	R	R	B
E45	R	R	R	R	R	R	R	R

Series 806 Mil-Aero Connectors

806-040 Box Mount PCB Receptacle Connectors, High-Speed / RF

Size 8 PCB Footprints for Coax, Quadrx, Twinax and El Ochito

See Appendix A for complete PCB footprint details





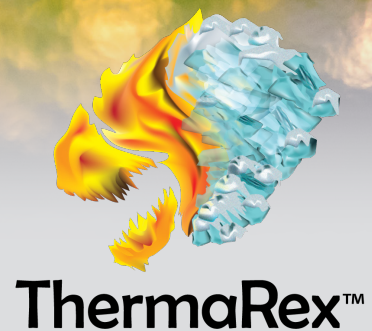
EXTREME TEMPERATURE ThermaRex Series 806 Connectors

High-temperature micro miniature connectors, cables, and wire protection accessories

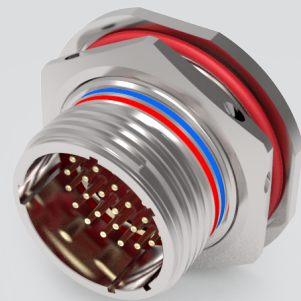
Sensor devices in aerospace engine applications are increasingly exposed to higher temperature operating environments. Environmental sensors in nuclear power reactors—an extremely high temperature and radiation-rich environment—are also exposed to temperature extremes well beyond the capabilities of conventional interconnect devices. Series 806 micro miniature connectors with Glenair Signature ThermaRex high-temperature inserts are designed to survive and excel in high continuous operating temperature application environments up to 300°C. The Series 806 Mil-Aero ThermaRex product family includes connectors, cables, and accessory wire protection conduit systems.



Micro miniature Series 806 circulars with high-temperature ThermaRex technology



ThermaRex™



- HT Service rating up to 300°C
- Vibration-resistant threaded coupling
- High-temperature ceramic insulators and silicone seals
- Durable stainless steel construction
- Utilizes Glenair Signature Crown Ring contacts
- Contact and wire support in sizes #22HD, #20HD, #16, #12, and #8

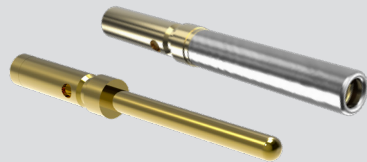
HIGH-TEMPERATURE, MICRO MINIATURE CIRCULAR

Series 806 Mil-Aero Connectors

With ThermaRex HT Inserts and Seals • Accessories

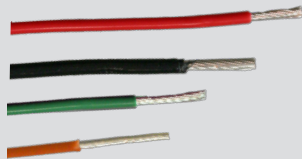


GLENAIR SIGNATURE CROWN RING CONTACTS



- Crimp removable contacts, sizes #22HD, #20HD, #16, #12, and #8
- Optimized for use at 300°C or higher while maintaining low electrical resistance
- Stainless steel Crown Ring provides compression force on the socket
- Superior vibration resistance
- Higher current carrying capabilities, lower contact resistance

300°C THERMAREX WIRE



- Special nickel-coated copper alloy conductors
- 300°C continuous service
- 24 to 8 AWG, 10 colors of insulation
- Single-wires plus jacketed, shielded, twisted pair available

300°C THERMAREX POLYMER-CORE CONDUIT



- High-temperature-tolerant flexible polymer-core conduit
- All standard colors: black, clear, orange, blue, yellow
- Qualification test report GT-17-261 available
- 300°C continuous service
- Available with high-temperature braid shield and/or jacket

300°C THERMAREX METAL-CORE CONDUIT



- Flexible passivated stainless steel core conduit
- High-temperature-tolerant ThermaRex jacket
- .127" to .250" outer diameter sizes
- 300°C continuous service

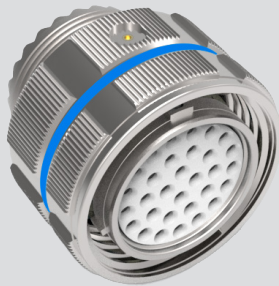
ARMORLITE CF MICROFILAMENT EMI/RFI SHIELDING



- Stainless steel over copper microfilament EMI shield
- High temperature -80°C to 300°C
- Corrosion / harsh environment resistant
- 1000 hour salt spray testing completed
- 70% reduced weight vs. standard braid
- Superb electrical resistance and shielding performance

Series 806 Mil-Aero Connectors

806-042 ThermaRex HT Plug



Features

- Operating temperature -65° to 300°C
- Triple-start stub ACME mating thread
- High density #20HD and #22HD arrangements for reduced size and weight plus #16, #12 and #8 standard and hybrid Crown Ring contact layouts
- Aerospace-grade materials, construction
- Band platform or accessory threads

Specifications

- Operating temperature: Finish Z1: -65°C to +300°C
- Dielectric withstanding voltage #22HD layouts: 1300 VAC #20HD layouts: 1800 VAC #16 layouts: varies, contact factory #12 layouts: varies, contact factory #8 layouts: varies, contact factory
- Mating durability: 500 cycles
- Mechanical shock: EIA-364-27, 300g.
- Vibration (sine): MIL-DTL-38999M, 60g.
- Vibration (random) EIA-364-28 Condition VI, Letter J, 43.92 Grms, +200°C
- High Impact shock: MIL-S-901 Grade A
- Humidity: EIA-364-31 Method 4
- Salt spray (dynamic): EIA-364-26, 500 hours
- Fluid immersion: EIA-364-10
- Altitude immersion: EIA-364-03 75,000 feet altitude
- Indirect Lightning Strike: EIA-364-75 Type B Level 2 10kA Peak

Connector Construction

- Plug barrel, coupling nut: passivated CRES
- Pin contact: copper alloy, gold plate
- Skt contact: copper alloy, gold plate; skt hood: CRES; crown ring: spring grade CRES
- Ground spring: spring grade CRES/nickel plate
- Insulator: high grade ceramic dielectric
- Interfacial seal, grommet: high-temp silicone

High-temperature 806-042 ThermaRex cable plugs are rated to perform from -65° to 300°C. Intended for use in high-temperature harsh application areas such as engine aircraft zones subject to high heat, altitude, and temperature extremes while providing size and weight savings compared to conventional aerospace-grade circular connectors. Rugged ratchet mechanism and unique triple-start mating thread provide improved de-coupling resistance under vibration. Available with integral Nano Band platform or with metric accessory threads, these connectors feature snap-in, rear release Crown Ring contacts (shielded, high-speed, or RF contacts not supported).

How To Order						
SAMPLE PART NUMBER		806-042	Z1	11-19	S	M A
Series / Basic Part No.	806-042 High-temperature ThermaRex Series 806 plug					
Material/Finish	Z1 = Passivated CRES					
Shell Size/Insert Arr.	See Table I					
Contact Style	P = Pin S = Socket Crown Ring contacts mandatory.					
Shell Style	M = Metric accessory thread B = Banding platform					
Polarization	A, B, C, D, E, F					

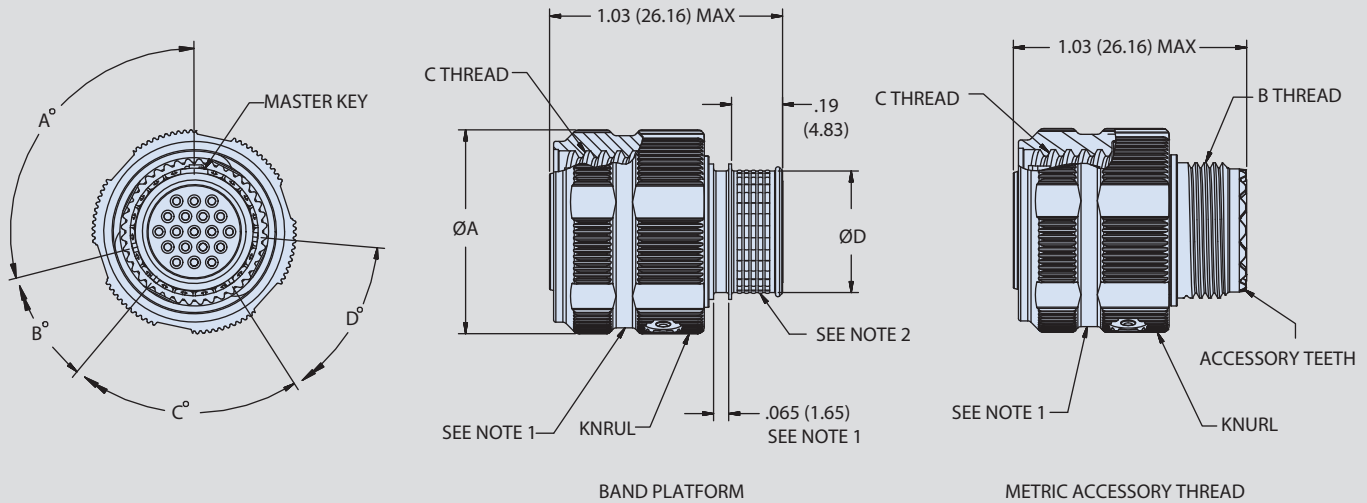
Table I: Shell Size - Insert Arrangement																	
Contact Layout	Number of Contacts					Contact Layout	Number of Contacts					Contact Layout	Number of Contacts				
	22HD	20HD	16	12	8		22HD	20HD	16	12	8		22HD	20HD	16	12	8
7-3	3					22-69	69				18-3					3	
8-4	4					24-92	92				20-4					4	
8-7	7					8-1		1			22-5					5	
9-11	11					10-2		2			24-8					8	
10-15	15					11-4		4			10-8A	6		2			
11-19	19					12-5		5			11-13	11		2			
12-26	26					14-7		7			12-27	26		1			
14-39	39					16-12		12			14-21	17		4			
16-60	60					18-15		15			16-41	37		4			
18-85	85					20-22		22			18-59	55		4			
20-110	110					22-24		24			11-14	13			1		
22-140	140					24-35		35			14-22	20			2		
24-186	186					9-1			1		12-14	12			2		
8-3		3				12-2			2		16-32	28			4		
9-5		5				14-3			3		16-42	40			2		
10-8		8				16-4			4		18-62	60			2		
11-10		10				16-7			7		14-20A	19				1	
12-15		15				18-8			8		16-22	20				2	
14-20		20				20-11			11		18-21	18				3	
16-31		31				22-13			13		20-28	24				4	
18-41		41				24-19			19		22-44	40				4	
20-55		55				10-1				1	24-97	93				4	
						16-2				2							

HIGH-TEMPERATURE, MICRO MINIATURE CIRCULAR

Series 806

Mil-Aero Connectors

806-042 ThermaRex HT Plug



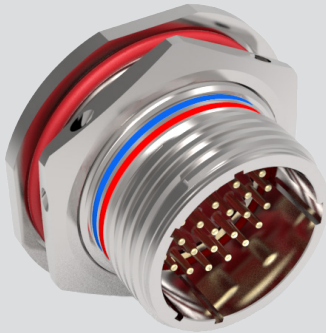
806-042 Dimensions				
Shell Size	ØA Max	B Thread	Mating Thd Triple Start Modified 60 Stub Acme	ØD
7	0.606 (15.39)	M8 X 1.0-6g-.100R	0.4375-.067P-.2L-TS-2B	0.267 (6.78)
8	0.676 (17.17)	M10 X 1.0-6g-.100R	0.500-.067P-.2L-TS-2B	0.327 (8.31)
9	0.771 (19.58)	M12 X 1.0-6g-.100R	0.562-.067P-.2L-TS-2B	0.406 (10.31)
10	0.832 (21.13)	M14 X 1.0-6g-.100R	0.625-.067P-.2L-TS-2B	0.484 (12.29)
11	0.890 (22.61)	M15 X 1.0-6g-.100R	0.688-.067P-.2L-TS-2B	0.524 (13.31)
12	0.950 (24.13)	M17 X 1.0-6g-.100R	0.750-.067P-.2L-TS-2B	0.603 (15.32)
14	1.110 (28.19)	M19 X 1.0-6g-.100R	0.875-.067P-.2L-TS-2B	0.681 (17.30)
16	1.170 (29.72)	M22 X 1.0-6g-.100R	1.000-.067P-.2L-TS-2B	0.782 (19.86)
18	1.350 (34.29)	M25 X 1.0-6g-.100R	1.125-.067P-.2L-TS-2B	0.899 (22.83)
20	1.470 (37.34)	M28 X 1.0-6g-.100R	1.250-.067P-.2L-TS-2B	1.043 (26.49)
22	1.600 (40.64)	M31 X 1.0-6g-.100R	1.375-.067P-.2L-TS-2B	1.155 (29.34)
24	1.710 (43.43)	M34 X 1.0-6g-.100R	1.500-.067P-.2L-TS-2B	1.273 (32.33)

NOTES:

1. Boot groove for use with 809-463 ThermaRex Autoshrink boots
2. Terminate shield with Glenair Band-Master ATS tool 601-108 and Glenair Nanoband
3. High temperature crown ring pin and socket contacts required to meet higher operating temps

Series 806 Mil-Aero Connectors

806-053 ThermaRex HT Jam-Nut



High-temperature 806-053 ThermaRex jam-nut receptacles are rated to perform from -65° to 300°C while providing size and weight savings compared to conventional aerospace-grade circular connectors. Unique triple-start mating thread provide improved de-coupling resistance under vibration. Series 806 enhanced performance connectors are intended for use in high temperature harsh application areas such as engine aircraft zones subject to high heat, altitude, and temperature extremes. Connectors feature snap-in, rear release Crown Ring contacts (shielded, high-speed, or RF contacts not supported).

Features

- Operating temperature -65° to 300°C
- Triple-start stub ACME mating thread
- High density #20HD and #22HD arrangements for reduced size and weight plus size #16, #12, and #8 standard and hybrid Crown Ring contact layouts
- Aerospace-grade materials, construction
- Band platform or accessory threads

Specifications

- Operating temperature: Finish Z1: -65°C to +300°C
- Dielectric withstanding voltage
#22HD contacts: 1300 VAC
#20HD contacts: 1800 VAC
#16 contacts: varies, contact factory
#12 contacts: varies, contact factory
#8 contacts: varies, contact factory
- Mating durability: 500 cycles
- Mechanical shock: EIA-364-27, 300g.
- Vibration (sine): MIL-DTL-38999M, 60g.
- Vibration (random) EIA-364-28 Condition VI, Letter J, 43.92 Grms, +200°C
- High Impact shock: MIL-S-901 Grade A
- Humidity: EIA-364-31 Method 4
- Salt spray (dynamic): EIA-364-26, 500 hours (96 hours for nickel-plated versions)
- Fluid immersion: EIA-364-10
- Altitude immersion: EIA-364-03 75,000 feet altitude
- Indirect Lightning Strike: EIA-364-75 Type B Level 2 10kA Peak

Connector Construction

- Shell: passivated CRES
- Pin contact: copper alloy, gold plate
- Skt contact: copper alloy, gold plate; skt hood: CRES; crown ring: spring grade CRES
- Insulator: high grade ceramic dielectric
- Interfacial seal, grommet: high-temp silicone

How To Order

SAMPLE PART NUMBER		806-053	Z1	11-19	S	M	A
Series / Basic Part No.	806-053 ThermaRex jam-nut receptacle						
Material/Finish	Z1 = Passivated CRES						
Shell Size/Insert Arr.	See Table I						
Contact Style	P = Pin A = Pin connector, less contacts S = Socket B = Socket connector, less contacts						
Shell Style	M = Metric accessory thread B = Banding platform						
Polarization	A, B, C, D, E, F						

Table I: Shell Size - Insert Arrangement

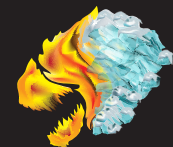
Contact Layout	Number of Contacts					Contact Layout	Number of Contacts					Contact Layout	Number of Contacts				
	22HD	20HD	16	12	8		22HD	20HD	16	12	8		22HD	20HD	16	12	8
7-3	3					22-69	69				18-3					3	
8-4	4					24-92	92				20-4					4	
8-7	7					8-1		1			22-5					5	
9-11	11					10-2		2			24-8					8	
10-15	15					11-4		4			10-8A	6		2			
11-19	19					12-5		5			11-13	11		2			
12-26	26					14-7		7			12-27	26		1			
14-39	39					16-12		12			14-21	17		4			
16-60	60					18-15		15			16-41	37		4			
18-85	85					20-22		22			18-59	55		4			
20-110	110					22-24		24			11-14	13			1		
22-140	140					24-35		35			12-14	12			2		
24-186	186					9-1			1		14-22	20			2		
8-3		3				12-2			2		16-32	28			4		
9-5		5				14-3			3		16-42	40			2		
10-8		8				16-4			4		18-62	60			2		
11-10		10				16-7			7		14-20A	19				1	
12-15		15				18-8			8		16-22	20				2	
14-20		20				20-11			11		18-21	18				3	
16-31		31				22-13			13		20-28	24				4	
18-41		41				24-19			19		22-44	40				4	
20-55		55				10-1				1	24-97	93				4	
						16-2				2							

HIGH-TEMPERATURE, MICRO MINIATURE CIRCULAR

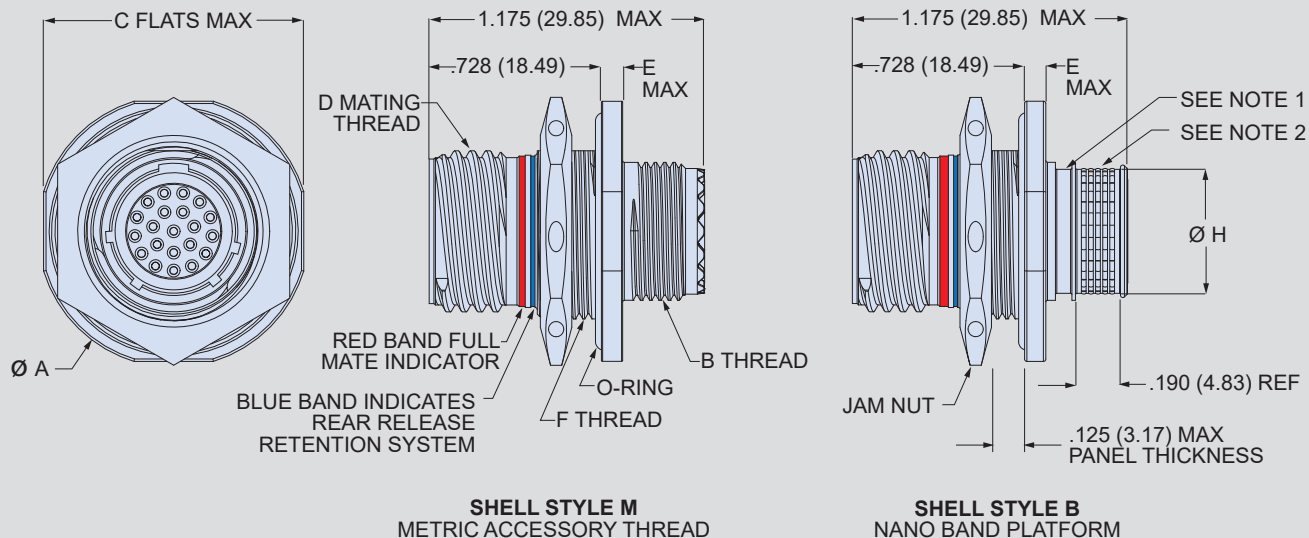
Series 806

Mil-Aero Connectors

806-053 ThermoRex HT Jam-Nut



ThermoRex™
HT



SHELL STYLE M
METRIC ACCESSORY THREAD

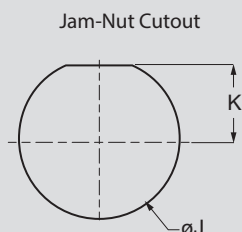
SHELL STYLE B
NANO BAND PLATFORM

806-053 Receptacle Dimensions

Shell Size	ØA Max	B Thread	C Max	D Mating Thread	E Max	F Thread	ØH
7	.848 (21.54)	M8x1.0-6g-0.100R	.908 (23.06)	.4375-.067P-.2L-TS-2A	.100 (2.54)	M13x1.0-6g-0.100R	.265 (6.73)
8	.980 (24.89)	M10x1.0-6g-0.100R	.920 (23.37)	.5000-.067P-.2L-TS-2A	.100 (2.54)	M15x1.0-6g-0.100R	.327 (8.31)
9	1.040 (26.42)	M12x1.0-6g-0.100R	.980 (24.89)	.5625-.067P-.2L-TS-2A	.100 (2.54)	M16x1.0-6g-0.100R	.406 (10.31)
10	1.110 (28.19)	M14x1.0-6g-0.100R	1.050 (26.67)	.6250-.067P-.2L-TS-2A	.100 (2.54)	M18x1.0-6g-0.100R	.484 (12.29)
11	1.160 (29.46)	M15x1.0-6g-0.100R	1.110 (28.19)	.6875-.067P-.2L-TS-2A	.100 (2.54)	M19x1.0-6g-0.100R	.524 (13.31)
12	1.230 (31.24)	M17x1.0-6g-0.100R	1.170 (29.72)	.7500-.067P-.2L-TS-2A	.100 (2.54)	M21x1.0-6g-0.100R	.603 (15.32)
14	1.360 (34.54)	M19x1.0-6g-0.100R	1.320 (33.53)	.8750-.067P-.2L-TS-2A	.100 (2.54)	M24x1.0-6g-0.100R	.681 (17.30)
16	1.515 (38.48)	M22x1.0-6g-0.100R	1.444 (36.68)	1.0000-.067P-.2L-TS-2A	.100 (2.54)	M27x1.0-6g-0.100R	.782 (19.86)
18	1.610 (40.89)	M25x1.0-6g-0.100R	1.570 (39.88)	1.1250-.067P-.2L-TS-2A	.100 (2.54)	M30x1.0-6g-0.100R	.899 (22.83)
20	1.850 (46.99)	M28x1.0-6g-0.100R	1.760 (44.70)	1.2500-.067P-.2L-TS-2A	.128 (3.25)	M34x1.0-6g-0.100R	1.043 (26.49)
22	2.010 (51.05)	M31x1.0-6g-0.100R	1.913 (48.59)	1.3750-.067P-.2L-TS-2A	.128 (3.25)	M37x1.0-6g-0.100R	1.155 (29.34)
24	2.195 (55.75)	M34x1.0-6g-0.100R	2.070 (52.58)	1.5000-.067P-.2L-TS-2A	.128 (3.25)	M41x1.0-6g-0.100R	1.273 (32.33)

Recommended Mounting Hole

SHELL SIZE	M +.005 (0.13) 0.000 (0.00)	N +.005 (0.13) 0.00 (0.00)
7	.224 (5.69)	.522 (13.26)
8	.256 (6.50)	.601 (15.27)
9	.287 (7.29)	.640 (16.26)
10	.318 (8.08)	.719 (18.26)
11	.350 (8.89)	.759 (19.28)
12	.381 (9.68)	.837 (21.26)
14	.443 (11.25)	.955 (24.26)
16	.505 (12.83)	1.073 (27.25)
18	.568 (14.43)	1.192 (30.28)
20	.630 (16.00)	1.349 (34.26)
22	.693 (17.60)	1.467 (37.26)
24	.755 (19.18)	1.624 (41.25)



NOTES:

1. Boot groove for use with 809-463 ThermoRex Autoshrink boots
2. Terminate shield with Glenair Band-Master ATS tool 601-108 and Glenair Nanoband
3. High temperature crown ring pin and socket contacts required to meet higher operating temps

Series 806 Mil-Aero Connectors

806-052 ThermaRex HT Square Flange



High-temperature 806-052 ThermaRex PCB square flange receptacles are rated to perform from -65° to 300°C. Intended for use in high temperature harsh applications, such as, engine aircraft zones subject to high heat, altitude, and temperature extremes while providing size and weight savings compared to conventional aerospace-grade circular connectors. Rugged ratchet mechanism and unique triple-start mating thread provide improved de-coupling resistance under vibration. Available with integral Nano Band platform or metric accessory threads and snap-in, rear release Crown Ring contacts (shielded, high-speed, or RF contacts not supported).

Features

- Operating temperature -65° to 300°C
- Triple-start stub ACME mating thread
- High density #20HD and #22HD arrangements for reduced size and weight plus #16, #12 and #8 standard and hybrid Crown Ring contact layouts
- Aerospace-grade materials, construction
- Band platform or accessory threads

Specifications

- Operating temperature: Finish Z1: -65°C to +300°C
- Dielectric withstanding voltage
#22HD contacts: 1300 VAC
#20HD contacts: 1800 VAC
#16 contacts: contact factory
#12 contacts: contact factory
#8 contacts: contact factory
- Mating durability: 500 cycles
- Mechanical shock: EIA-364-27, 300g.
- Vibration (sine): MIL-DTL-38999M, 60g.
- Vibration (random) EIA-364-28 Condition VI, Letter J, 43.92 Grms, +200°C
- High Impact shock: MIL-S-901 Grade A
- Humidity: EIA-364-31 Method 4
- Salt spray (dynamic): EIA-364-26, 500 hours (96 hours for nickel-plated versions)
- Fluid immersion: EIA-364-10
- Altitude immersion: EIA-364-03 75,000 feet altitude
- Indirect Lightning Strike: EIA-364-75 Type B Level 2 10kA Peak

Connector Construction

- Shell: passivated CRES
- Pin contact: copper alloy, gold plate
- Skt contact: copper alloy, gold plate; skt hood: CRES; crown ring: spring grade CRES
- Insulator: high grade ceramic dielectric
- Interfacial seal, grommet: high-temp silicone

How To Order										
SAMPLE PART NUMBER		806-052	Z1	11-19	S	M	T	A		
Series / Basic Part No.	806-052 ThermaRex square-flange Rcptl.									
Material/Finish	Z1 = Passivated CRES									
Shell Size/Insert Arr.	See Table I									
Contact Style	P = Pin		A = Pin connector, less contacts							
	S = Socket		B = Socket connector, less contacts							
Shell Style	M = Metric accessory thread		B = Banding platform							
Panel Mounting	T = Thru-hole									
Polarization	A, B, C, D, E, F									

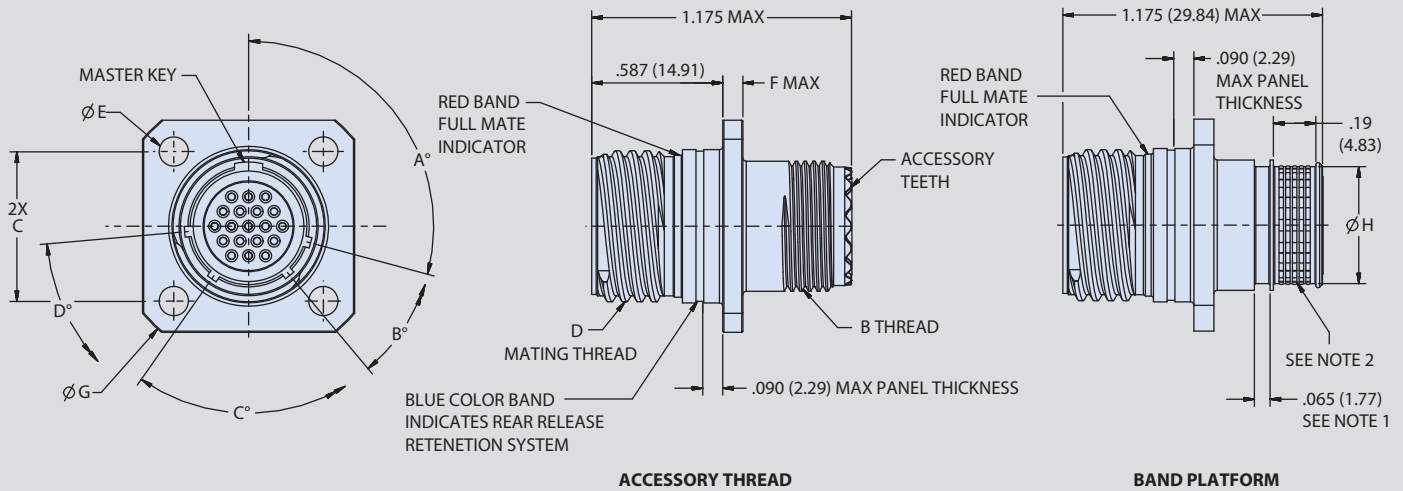
Table I: Shell Size - Insert Arrangement																	
Contact Layout	Number of Contacts					Contact Layout	Number of Contacts					Contact Layout	Number of Contacts				
	22HD	20HD	16	12	8		22HD	20HD	16	12	8		22HD	20HD	16	12	8
7-3	3					22-69		69			18-3					3	
8-4	4					24-92		92			20-4					4	
8-7	7					8-1			1		22-5					5	
9-11	11					10-2			2		24-8					8	
10-15	15					11-4			4		10-8A	6		2			
11-19	19					12-5			5		11-13	11		2			
12-26	26					14-7			7		12-27	26		1			
14-39	39					16-12			12		14-21	17		4			
16-60	60					18-15			15		16-41	37		4			
18-85	85					20-22			22		18-59	55		4			
20-110	110					22-24			24		11-14	13			1		
22-140	140					24-35			35		12-14	12			2		
24-186	186					9-1				1	14-22	20			2		
8-3		3				12-2				2	16-32	28			4		
9-5		5				14-3				3	16-42	40			2		
10-8		8				16-4				4	18-62	60			2		
11-10		10				16-7				7	14-20A	19				1	
12-15		15				18-8				8	16-22	20				2	
14-20		20				20-11				11	18-21	18				3	
16-31		31				22-13				13	20-28	24				4	
18-41		41				24-19				19	22-44	40				4	
20-55		55				10-1					24-97	93				4	
						16-2										2	

HIGH-TEMPERATURE, MICRO MINIATURE CIRCULAR

Series 806

Mil-Aero Connectors

806-052 ThermoRex HT Square Flange



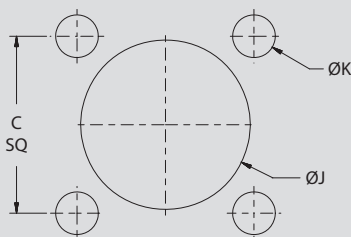
806-052 Receptacle Dimensions

Shell Size	A Max	B Thread	C	D Mating Thread	ØE	F Max	G Max	H Max
7	.750 (19.05)	M8x1.0-6g-0.100R	.469 (11.91)	.4375-.067P-.2L-TS-2A	.128 (3.25)	.100 (2.54)	.968 (24.59)	.265 (6.73)
8	.822 (20.88)	M10x1.0-6g-0.100R	.531 (13.49)	.5000-.067P-.2L-TS-2A	.128 (3.25)	.100 (2.54)	1.040 (26.42)	.327 (8.31)
9	.885 (22.48)	M12x1.0-6g-0.100R	.594 (15.09)	.5625-.067P-.2L-TS-2A	.128 (3.25)	.100 (2.54)	1.130 (28.70)	.406 (10.31)
10	.913 (23.19)	M14x1.0-6g-0.100R	.625 (15.88)	.6250-.067P-.2L-TS-2A	.128 (3.25)	.100 (2.54)	1.174 (29.82)	.484 (12.29)
11	.960 (24.38)	M15x1.0-6g-0.100R	.670 (17.02)	.6875-.067P-.2L-TS-2A	.128 (3.25)	.100 (2.54)	1.200 (30.48)	.524 (13.31)
12	1.040 (26.42)	M17x1.0-6g-0.100R	.765 (19.43)	.7500-.067P-.2L-TS-2A	.128 (3.25)	.100 (2.54)	1.354 (34.39)	.603 (15.32)
14	1.133 (28.78)	M19x1.0-6g-0.100R	.859 (21.82)	.8750-.067P-.2L-TS-2A	.128 (3.25)	.100 (2.54)	1.510 (38.35)	.681 (17.30)
16	1.227 (31.17)	M22x1.0-6g-0.100R	.938 (23.83)	1.0000-.067P-.2L-TS-2A	.128 (3.25)	.100 (2.54)	1.620 (41.15)	.782 (19.86)
18	1.320 (33.53)	M25x1.0-6g-0.100R	1.016 (25.81)	1.1250-.067P-.2L-TS-2A	.128 (3.25)	.100 (2.54)	1.784 (45.31)	.899 (22.83)
20	1.444 (36.68)	M28x1.0-6g-0.100R	1.109 (28.17)	1.2500-.067P-.2L-TS-2A	.154 (3.91)	.125 (3.18)	1.910 (48.51)	1.043 (26.49)
22	1.570 (39.88)	M31x1.0-6g-0.100R	1.203 (30.56)	1.3750-.067P-.2L-TS-2A	.154 (3.91)	.125 (3.18)	2.083 (52.91)	1.155 (29.34)
24	1.696 (43.08)	M34x1.0-6g-0.100R	1.312 (33.32)	1.5000-.067P-.2L-TS-2A	.154 (3.91)	.125 (3.18)	2.200 (55.88)	1.273 (32.33)

Panel Cut-Out Dimensions

Shell Size	J	K
7	.443 (11.25)	.128 (3.25)
8	.505 (12.83)	.128 (3.25)
9	.572 (14.53)	.128 (3.25)
10	.640 (16.26)	.128 (3.25)
11	.707 (17.96)	.128 (3.25)
12	.762 (19.35)	.128 (3.25)
14	.885 (22.48)	.128 (3.25)
16	1.010 (25.65)	.128 (3.25)
18	1.120 (28.45)	.128 (3.25)
20	1.270 (32.26)	.154 (3.91)
22	1.395 (35.43)	.154 (3.91)
24	1.520 (38.61)	.154 (3.91)

Square Flange Cutout



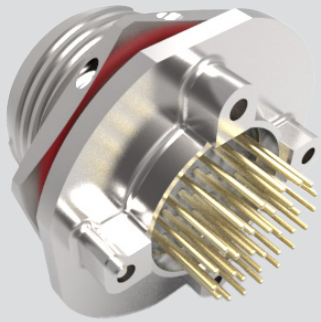
NOTES:

1. Boot groove for use with 809-463 ThermoRex Autoshrink boots
2. Terminate shield with Glenair Band-Master ATS tool 601-108 and Glenair Nanoband
3. High temperature crown ring pin and socket contacts required to meet higher operating temps

Series 806 Mil-Aero Connectors



806-041 ThermaRex HT PC Tail Jam-Nut Connector



High-temperature 806-041 ThermaRex PCB jam-nut receptacles are rated to perform from -65° to 300°C. Intended for use in high temperature harsh applications, such as engine aircraft zones subject to high heat, altitude, and temperature extremes while providing size and weight savings compared to conventional aerospace-grade circular connectors. Rugged ratchet mechanism and unique triple-start mating thread provide improved de-coupling resistance under vibration. Threaded PCB standoffs allow for secure attachment to PCB board or flex applications. Contacts are potted in place with high-temperature elastomeric compound and non-removable. Parylene compatible.

Features

- Operating temperature -65° to 300°C
- Triple-start stub ACME mating thread
- High density #22HD and #20HD arrangements for reduced size and weight plus #16, #12 and #8 standard and hybrid Crown Ring contact layouts
- Aerospace-grade materials, construction
- Band platform or accessory threads

Specifications

- Operating temperature: Finish Z1: -65°C to +300°C
- Dielectric withstanding voltage
#22HD contacts: 1300 VAC
#20HD contacts: 1800 VAC
#16 contacts: varies, contact factory
#12 contacts: varies, contact factory
#8 contacts: varies, contact factory
- Mating durability: 500 cycles
- Mechanical shock: EIA-364-27, 300g.
- Vibration (sine): MIL-DTL-38999M, 60g.
- Vibration (random) EIA-364-28 Condition VI, Letter J, 43.92 Grms, +200°C
- High Impact shock: MIL-S-901 Grade A
- Humidity: EIA-364-31 Method 4
- Salt spray (dynamic): EIA-364-26, 500 hours (96 hours for nickel-plated versions)
- Fluid immersion: EIA-364-10
- Altitude immersion: EIA-364-03 75,000 feet altitude
- Indirect Lightning Strike: EIA-364-75 Type B Level 2 10kA Peak

Connector Construction

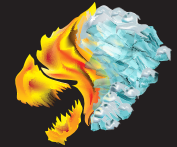
- Shell, jam-nut: passivated CRES
- Pin contact: copper alloy, gold plate
- Insulator: high grade ceramic dielectric
- Interfacial seal: high-temp silicone

How To Order						
SAMPLE PART NUMBER	806-041	Z1	11-19	P	1	N
Series / Basic Part No.	806-041 ThermaRex PCB jam-nut receptacle					
Material/Finish	Z1 = Passivated CRES					
Shell Size/Insert Arr.	See Table I					
Contact Style	P = Pin contacts only					
PC Tail Length	1 = .125" 2 = .250"					
Polarization	A, B, C, D, E, F					

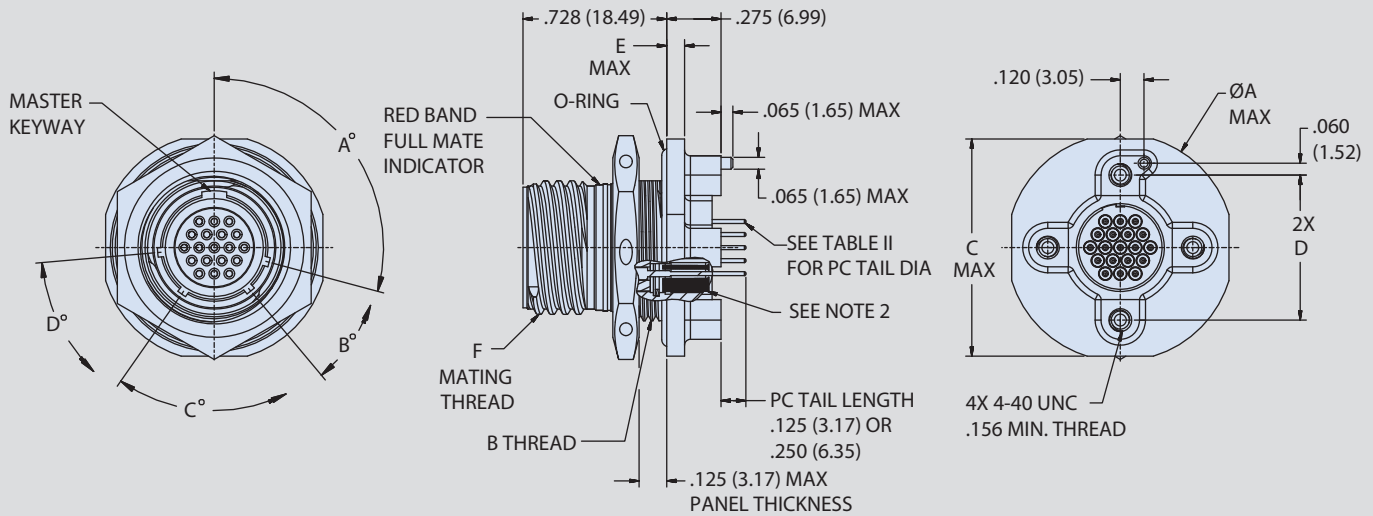
Table I: Shell Size - Insert Arrangement																	
Contact Layout	Number of Contacts					Contact Layout	Number of Contacts					Contact Layout	Number of Contacts				
	22HD	20HD	16	12	8		22HD	20HD	16	12	8		22HD	20HD	16	12	8
7-3	3					22-69	69				16-2				2		
8-4	4					24-92	92				18-3				3		
8-7	7					8-1		1			20-4				4		
9-11	11					10-2		2			22-5				5		
10-15	15					11-4		4			24-8				8		
11-19	19					12-5		5			10-8A	6	2				
12-26	26					14-7		7			11-13	11	2				
14-39	39					16-12		12			12-27	26	1				
16-60	60					18-15		15			14-21	17	4				
18-85	85					20-22		22			16-41	37	4				
20-110	110					22-24		24			18-59	55	4				
22-140	140					24-35		35			11-14	13		1			
24-186	186					9-1			1		12-14	12		2			
8-3		3				12-2			2		14-22	20		2			
9-5		5				14-3			3		16-42	40		2			
10-8		8				16-4			4		18-62	60		2			
11-10		10				16-7			7		14-20A	19			1		
12-15		15				18-8			8		16-22	20			2		
14-20		20				20-11			11		18-21	18			3		
16-31		31				22-13			13		20-28	24			4		
18-41		41				24-19			19		22-44	40			4		
20-55		55				10-1			1		24-97	93			4		

Series 806 Mil-Aero Connectors

806-041 ThermoRex HT PC Tail Jam-Nut Connector



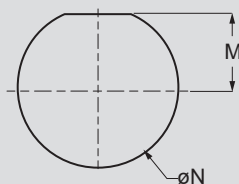
ThermoRex™
HT



806-041 Dimensions

Shell Size	Øa Max	B Thread	C Max	D	E Max	F Mating Thread
7	0.848 (21.54)	M8X 1-6g-.100R	0.908 (23.06)	0.489 (12.42)	0.100 (2.54)	.4375-.067P-.2L-TS-2A
8	0.980 (24.89)	M15 X 1-6g-.100R	0.920 (23.37)	0.534 (13.56)		.5000-.067P-.2L-TS-2A
9	1.040 (26.42)	M16 X 1-6g-.100R	0.980 (24.89)	0.579 (14.71)		.5625-.067P-.2L-TS-2A
10	1.110 (28.19)	M18 X 1-6g-.100R	1.050 (26.67)	0.679 (17.25)		.6250-.067P-.2L-TS-2A
11	1.160 (29.46)	M19 X 1-6g-.100R	1.110 (28.19)	0.734 (18.64)		.6875-.067P-.2L-TS-2A
12	1.230 (31.24)	M21 X 1-6g-.100R	1.170 (29.72)	0.804 (20.42)		.7500-.067P-.2L-TS-2A
14	1.360 (34.54)	M24 X 1-6g-.100R	1.320 (33.53)	0.891 (22.63)		.8750-.067P-.2L-TS-2A
16	1.515 (38.48)	M27 X 1-6g-.100R	1.444 (36.68)	1.049 (26.64)		1.000-.067P-.2L-TS-2A
18	1.610 (40.89)	M30 X 1-6g-.100R	1.570 (39.88)	1.148 (29.16)		1.1250-.067P-.2L-TS-2A
20	1.850 (46.99)	M34 X 1-6g-.100R	1.760 (44.70)	1.252 (31.80)		1.250-.067P-.2L-TS-2A
22	2.010 (51.05)	M37 X 1-6g-.100R	1.913 (48.59)	1.369 (34.77)	0.128 (3.25)	1.3750-.067P-.2L-TS-2A
24	2.195 (55.75)	M41 X 1-6g-.100R	2.070 (52.58)	1.509 (38.33)		1.5000-.067P-.2L-TS-2A

Jam-Nut Cutout



Recommended Mounting Hole

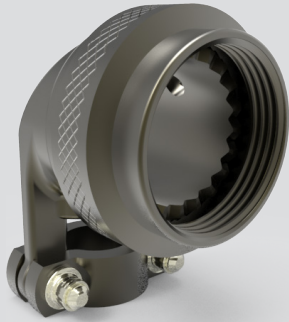
Shell Size	Recommended Mounting Hole	
	M +.005 (0.13) 0.000 (0.00)	N +.005 (0.13) 0.00 (0.00)
7	.224 (5.69)	.522 (13.26)
8	.256 (6.50)	.601 (15.27)
9	.287 (7.29)	.640 (16.26)
10	.318 (8.08)	.719 (18.26)
11	.350 (8.89)	.759 (19.28)
12	.381 (9.68)	.837 (21.26)
14	.443 (11.25)	.955 (24.26)
16	.505 (12.83)	1.073 (27.25)
18	.568 (14.43)	1.192 (30.28)
20	.630 (16.00)	1.349 (34.26)
22	.693 (17.60)	1.467 (37.26)
24	.755 (19.18)	1.624 (41.25)

Table II: PC Tail Diameter

Contact Size	PC Tail Dia.
20	.030 (0.76)
22	.020 (0.51)

Series 806 Mil-Aero Connectors

620V*080 Strain Relief Cable Clamp Backshell, Straight, 45°, 90°



Stainless Steel Series 62 backshells for high temperature ThermoRex plug and receptacle connectors are rated to perform from -65° to 300°C. Anti-decoupling device for improved vibration resistance and detents to allow for axial positioning of backshell for improved cable routing.

How To Order						
SAMPLE PART NUMBER		620V	A	080	Z1	16
Series / Basic Part No.	620V ThermoRex strain relief cable clamp					
Angular Function	S = Straight A = 90° B = 45°					
Basic Number	080					
Finish Sym, Table II	Z1					
Shell Size, Table I	08, 09, 10, 11, 12, 14, 16, 18, 20, 22, 24					

Table II: Material and Finish

Symbol	Material	Finish Description
Z1	Stainless Steel	Passivate

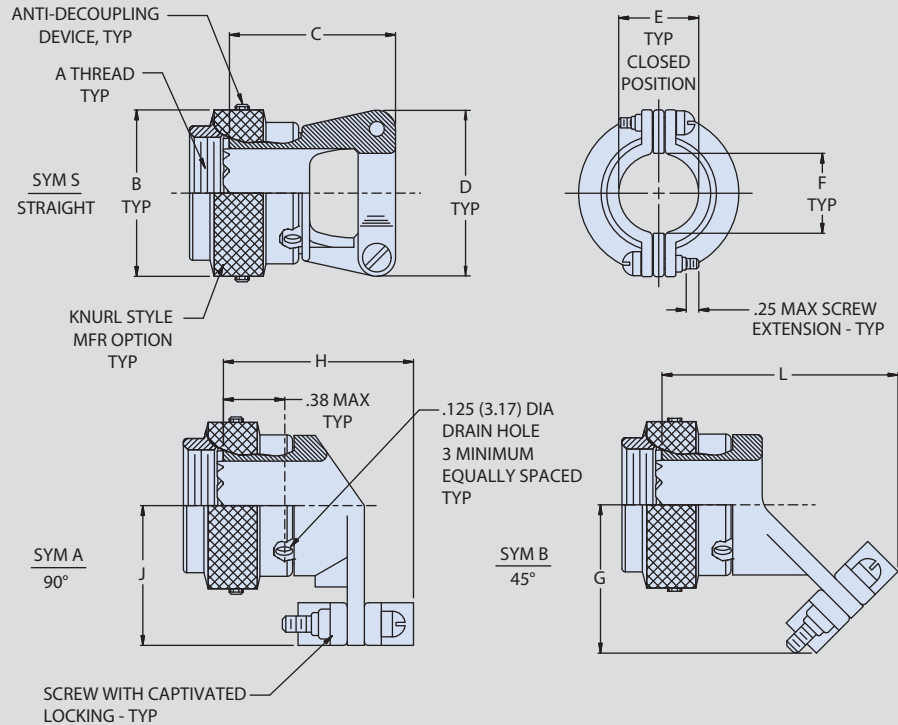


Table I: Dimensions

Shell Size	A Thread ISO Metric	B Dia Max	C Max	D Max	E +0.031 (0.79)	F Min	G Max	H Max	J Max	L Max
07										
08	M10 x 1-6H	0.642 (16.31)	0.710 (18.03)	0.93 (23.62)	0.205 (5.21)	0.18 (4.57)	0.891 (22.63)	1.04 (26.42)	0.87 (22.10)	1.30 (33.02)
09	M12 x 1-6H	0.735 (18.67)	0.840 (21.34)	0.98 (24.89)	0.219 (5.56)	0.22 (5.59)	0.901 (22.89)	1.06 (26.92)	0.91 (23.11)	1.32 (33.53)
10	M14 x 1-6H	0.786 (19.96)	0.900 (22.86)	1.02 (25.91)	0.244 (6.20)	0.25 (6.35)	0.945 (24.00)	1.08 (27.43)	0.95 (24.13)	1.35 (34.29)
11	M15 x 1-6H	0.830 (21.08)	0.960 (24.38)	1.05 (26.67)	0.264 (6.71)	0.27 (6.86)	0.964 (24.49)	1.10 (27.94)	0.97 (24.64)	1.36 (34.54)
12	M17 x 1-6H	0.911 (23.14)	1.060 (26.92)	1.12 (28.45)	0.312 (7.92)	0.32 (8.13)	1.030 (26.16)	1.15 (29.21)	1.03 (26.16)	1.41 (35.81)
14	M19 x 1-6H	1.002 (25.45)	1.100 (27.94)	1.20 (30.48)	0.344 (8.74)	0.35 (8.89)	1.050 (26.67)	1.18 (29.97)	1.06 (26.92)	1.43 (36.32)
16	M22 x 1-6H	1.149 (29.18)	1.100 (27.94)	1.30 (33.02)	0.460 (11.68)	0.47 (11.94)	1.112 (28.24)	1.30 (33.02)	1.16 (29.46)	1.48 (37.59)
18	M25 x 1-6H	1.264 (32.11)	1.230 (31.24)	1.44 (36.58)	0.545 (13.84)	0.55 (13.97)	1.175 (29.85)	1.38 (35.05)	1.34 (34.04)	1.58 (40.13)
20	M28 x 1-6H	1.394 (35.41)	1.410 (35.81)	1.56 (39.62)	0.615 (15.62)	0.62 (15.75)	1.230 (31.24)	1.46 (37.08)	1.41 (35.81)	1.70 (43.18)
22	M31 x 1-6H	1.513 (38.43)	1.510 (38.35)	1.69 (42.93)	0.698 (17.73)	0.70 (17.78)	1.293 (32.84)	1.58 (40.13)	1.53 (38.86)	1.74 (44.20)
24	M34 x 1-6H	1.631 (41.43)	1.660 (42.16)	1.77 (44.96)	0.780 (19.81)	0.78 (19.81)	1.365 (34.67)	1.62 (41.15)	1.66 (42.16)	1.79 (45.47)

HIGH-TEMPERATURE, MICRO MINIATURE CIRCULAR Series 806 Mil-Aero Connectors 120-100 Helical Polymer-Core Convoluted Tubing



OUTSTANDING MECHANICAL WIRE PROTECTION AND LUBRICITY FOR NON-ENVIRONMENTAL AND NON-EMI/RFI APPLICATIONS, IAW SAE AS81914



How To Order							
SAMPLE PART NUMBER	120-100	-1	-1	-16	B	R	L
Series / Basic Part No.	120-100 300°C ThermaRex polymer-core Conduit						
Class	1 = Standard Wall 2 = Thin Wall						
Convolution	1 = Standard 2 = Close						
Tubing Size	See table 1						
Color	B = Black C = Clear O = Orange BL = Blue Y = Yellow						
Material	R = High Temperature ThemaRex, 300°C						
Lanyard	L = Lanyard; omit for none						

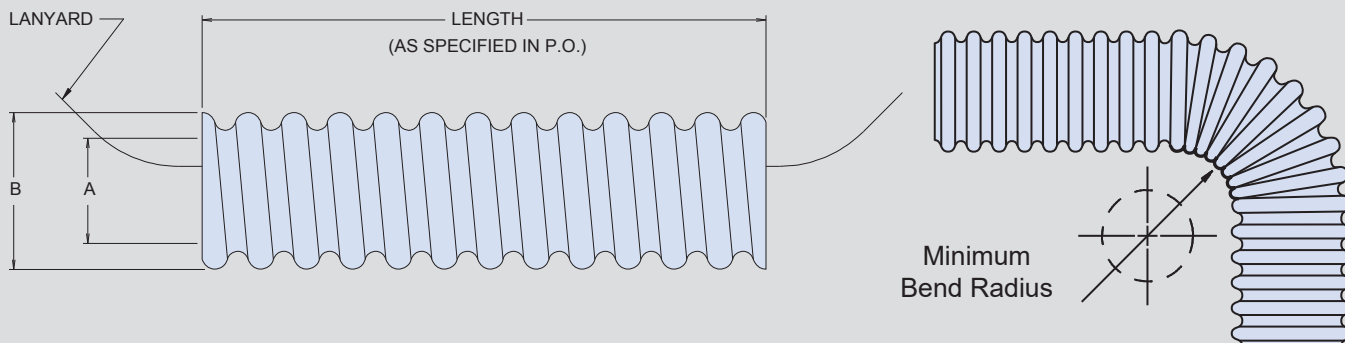


Table I: Tubing Size Order Number and Dimensions

Tubing Size	Fractional Size Ref	A Inside Dia Min	B Dia Max	Min Bend Radius
06	3/16	.181 (4.6)	.320 (8.1)	.50 (12.7)
09	9/32	.273 (6.9)	.414 (10.5)	.75 (19.1)
10	5/16	.306 (7.8)	.450 (11.4)	.75 (19.1)
12	3/8	.359 (9.1)	.510 (13.0)	.88 (22.4)
14	7/16	.427 (10.8)	.571 (14.5)	1.00 (25.4)
16	1/2	.480 (12.2)	.650 (16.5)	1.25 (31.8)
20	5/8	.603 (15.3)	.770 (19.6)	1.50 (38.1)
24	3/4	.725 (18.4)	.930 (23.6)	1.75 (44.5)
28	7/8	.860 (21.8)	1.073 (27.3)	1.88 (47.8)
32	1	.970 (24.6)	1.226 (31.1)	2.25 (57.2)
40	1 1/4	1.205 (30.6)	1.539 (39.1)	2.75 (69.9)
48	1 1/2	1.437 (36.5)	1.832 (46.5)	3.25 (82.6)
56	1 3/4	1.688 (42.9)	2.156 (54.8)	3.63 (92.2)
64	2	1.937 (49.2)	2.332 (59.2)	4.25 (108.0)

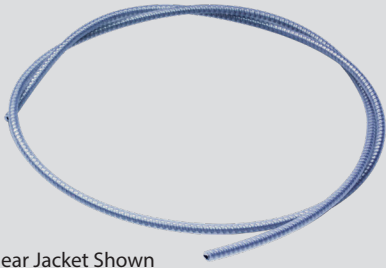
PACKAGING

- Long-length orders of 120-100 conduit are subject to carrier weight and box size restrictions. For example, UPS air shipments are currently limited to 50 lbs. per box. Unless otherwise specified, Glenair standard practice is to ship optimal lengths of product based on weight, size, and individual carrier specifications.
- Consult factory for thin-wall, close convolution combination and for PEEK™ and PTFE min/max dimensions.

Series 806 Mil-Aero Connectors

ThermaRex Metal-Core Conduit and Armorlite EMI Shield

750-216 300°C THERMAREX METAL-CORE CONDUIT



Clear Jacket Shown

How To Order						
SAMPLE PART NUMBER		750-216	047	C	R	P
Product Series / Basic No	750-216 = Flexible metal core with high-temperature jacketing					
Order No	See Table I					
Core Material	C = Stainless Steel					
Jacket	R = ThermaRex Jacket					
Jacket Color	B = Black P = Purple W = White; omit for natural					

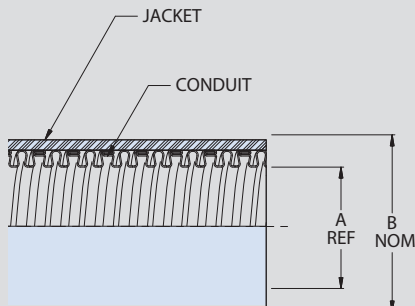


TABLE I			
Order No.	A I.D. Ref	B O.D. Nom	Bend Radius
047	0.047 (1.19)	0.127 (3.23)	0.905 (22.99)
059	0.059 (1.50)	0.138 (3.51)	0.905 (22.99)
071	0.071 (1.80)	0.150 (3.81)	0.905 (22.99)
079	0.079 (2.01)	0.158 (4.01)	0.905 (22.99)
087	0.087 (2.21)	0.164 (4.17)	0.787 (19.99)
102	0.102 (2.59)	0.180 (4.57)	0.787 (19.99)
118	0.118 (3.00)	0.211 (5.36)	0.709 (18.01)
126	0.126 (3.20)	0.219 (5.56)	0.709 (18.01)
138	0.138 (3.51)	0.227 (5.77)	0.748 (19.00)
157	0.157 (3.99)	0.250 (6.35)	0.748 (19.00)

103-052 ARMORLITE™ CF LIGHTWEIGHT EMI/RFI MICROFILAMENT NICKEL COPPER / SST BRAID



How To Order					
SAMPLE PART NUMBER		103	-052	-024	-S
Product Code	Lightweight Braid Series				
ArmorLite™	-052 = 75% ArmorLite™ / 25% Nickel-Copper				
Braid Diameter Dash Number	See Table				
Silver Clad Option	-S = 75% ArmorLite / 25% silver-plated copper Omit for standard nickel clad				

ARMORLITE™ CF

- 70+% weight savings over NiCu braid
- Outstanding EMI/RFI shielding and conductivity
- Broader temperature range: -80°C to +300°C
- Highly corrosion resistant
- Superior flexibility and “windowing” resistance

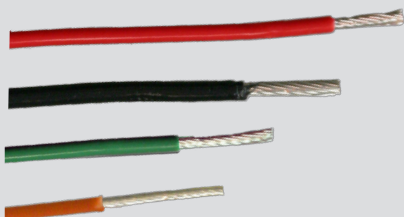
Dash Number - Diameter, Wire Bundle and Weight			
Dash No.	Nominal I.D. (ref.)	Wire Bundle Range (ref.)	Approx. Grams/Foot
-002	.062 (1.6)	.040 (1.0) – .075 (1.9)	1.6
-004	.125 (3.2)	.093 (2.4) – .140 (3.5)	1.8
-008	.250 (6.4)	.125 (3.2) – .312 (7.9)	2.8
-012	.375 (9.5)	.250 (6.4) – .406 (10.3)	3.5
-016	.500 (12.7)	.375 (9.5) – .560 (14.2)	5.4
-020	.625 (15.9)	.375 (9.5) – .700 (17.8)	5.7
-024	.750 (19.1)	.500 (12.7) – .800 (20.3)	7.5
-032	1.000 (25.4)	.780 (19.8) – 1.100 (27.9)	13.1
-040	1.250 (31.8)	.938 (23.8) – 1.312 (33.3)	15.8
-048	1.500 (38.1)	1.187 (30.1) – 1.590 (40.4)	19.7
-064	2.000 (50.8)	1.312 (33.3) – 2.090 (53.1)	24.4

Series 806 Mil-Aero Connectors

961-047 300 °C ThermaRex Wire



961-047 THERMAREX HIGH TEMPERATURE WIRE



How To Order					
SAMPLE PART NUMBER		961-047	-N	-A	2
Series / Basic Part No.	961-047 = 300°C ThermaRex Wire				
Material	N = nickel/copper (-40°C to 300°C)				
Wire Size	See Table I				
Jacket Color	See Table II				

NOTES

1. Bend Radius is 3X the O.D.
2. Based on NEC Table 310.19
3. Voltage rating is 1000 volts AC
4. Insulation material is 300°C high temperature thermoplastic



TABLE 1

Awg Code	Awg	Strand/Count/Awg	Cir Mil (Nom)	Weight Lbs/1000' (Nom)	Ø A	Ø B	Nickel Copper DC Res @ 20°C ohms/1000ft	Nickel Copper Ampacity (Amps) 40°C Ambient (See Note 2)	Jacket Wall Thickness (In)
A	24	19/36	475	3.45	0.044 (1.12)	0.024 (0.61)	38.4	TBD	0.010 (0.25)
B	22	19/34	754	4.58	0.050 (1.27)	0.030 (0.76)	24.1	TBD	0.010 (0.25)
C	20	19/32	1216	6.43	0.068 (1.73)	0.038 (0.97)	14.8	16	0.015 (0.38)
D	16	37/31	2931	13.1	0.090 (2.29)	0.060 (1.52)	6.33	40	0.015 (0.38)
E	14	7x7/30	4900	21.1	0.121 (3.07)	0.091 (2.31)	3.87	59	0.015 (0.38)
F	12	7x7/29	6257	25.9	0.132 (3.35)	0.102 (2.59)	3.03	78	0.015 (0.38)
G	10	7x19/31	10535	41.5	0.157 (3.99)	0.127 (3.23)	1.81	107	0.015 (0.38)
H	8	7x19/29	16983	63.9	0.191 (4.85)	0.161 (4.09)	1.12	142	0.015 (0.38)
J	6	7x19/27	27200	TBD	0.233 (5.92)	0.203 (5.16)	0.68	TBD	0.015 (0.38)

Table II: Jacket Color Option

Color Code	Color
0	Black
1	Brown
2	Red
3	Orange
4	Yellow
5	Kelly Green
6	Blue
7	Violet
8	Gray
9	White

CORRECTION FACTORS

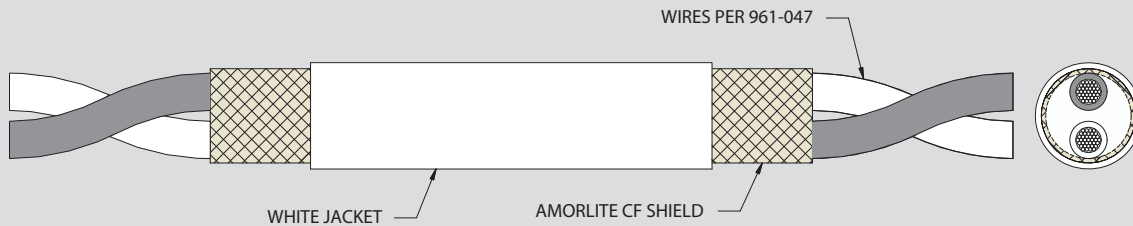
For ambient temperatures other than 40°C (104°F), multiply the allowable ampacities by the appropriate factor shown below.			
Ambient Temp. (°C)	Correction Factors	Ambient Temp. (°C)	Correction Factors
41-50	0.98	161-170	0.71
51-60	0.96	171-180	0.69
61-70	0.94	181-190	0.66
71-80	0.92	191-200	0.63
81-90	0.90	201-210	0.60
91-100	0.88	211-220	0.56
101-110	0.86	221-230	0.53
111-120	0.84	231-240	0.49
121-130	0.81	241-250	0.45
131-140	0.79	251-260	0.40
141-150	0.77	261-270	0.35
151-160	0.74	271-280	0.29

HIGH-TEMPERATURE, MICRO MINIATURE CIRCULAR
Series 806
Mil-Aero Connectors
 960-2371, ThermaRex 300°C Cable



960-2371 THERMAREX HIGH TEMPERATURE WIRE

How To Order			
SAMPLE PART NUMBER		960-2371	-20 -3
Series / Basic Part No.	960-2371 = 300°C ThermaRex Wire		
Average Size	16 AWG to 24 AWG		
Number of Wires	Up to Four Wires		



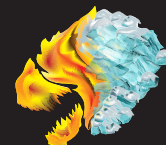
NOTES

1. Jacket: white high temp thermoplastic (300°C), 0.015" wall
2. Shield Material: armorlite CF (103-126)
3. Wires: per 961-047 (wire color per Table 1)
4. Conductor Material: nickel/copper (-65°C to 300°C)
5. Insulation Material: high temp thermoplastic (300°C)
6. Voltage Rating: 1000 VAC

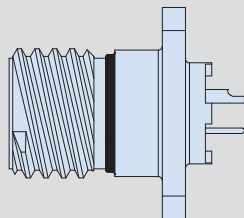
Table I				
Number of Wires	Wire Number with Respective Color			
	1	2	3	4
1	White			
2	White	Blue		
3	White	Blue	Orange	
4	White	Blue	Orange	Green

Series 806 Mil-Aero Connectors

806-088 Solder Cup/PC Tail Termination Hermetic Receptacle



ThermaRex™
CRYO



Series 806 cryogenic capable hermetic receptacles feature stainless steel shells and glass-to-metal seals. Rated for -195°C to +200°C temperature range. Micro miniature Series 806 connectors save size and weight compared to legacy aerospace-grade hermetic connectors. These high performance, parylene compatible connectors are suitable for pressurized bulkhead applications subject to vibration, moisture, and temperature extremes.

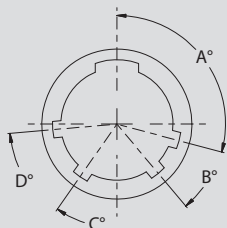
Material/Finish

- Shell & jam-nut: 304L CRES/PER P/N DEV
- Contacts, hermetic: Nickel-iron alloy/gold plate
- Contacts, sockets: Copper alloy/gold plate
- Hoods, sockets: 305 CRES/passivate
- Insulator, hermetic: Vitreous glass
- Insulator, Socket: Peek
- Seals & O-Rings: Duralectric™ K

Test Criteria

- Leak rate: <1 X 10⁻⁷ ccHe/sec @ 1 ATM. delta pressure
- DWV: 1300 VAC (#22 Contacts)
1800 VAC (#20, 16, 12, and 8 Contacts)
- I.R.: 5000 MEGOHMS MIN @ 500 VDC
- Current capacity: 3 A (#22), 5 A (#20), 10 A (#16), 17 AMPS (#12), 33 A (#8)

Polarization Key Code



POS	A°	B°	C°	D°
A	105°	140°	215°	265°
B	102°	170°	248°	305°
C	80°	150°	230°	295°
D	68°	140°	205°	275°
E	64°	155°	234°	304°
F	72°	120°	200°	298°

PC Tail Diameter

Cont. Size	"ø W" ±.002 PC Tail
22	.020 (0.51)
20	.030 (0.76)
16	.063 (1.60)
12	.094 (2.39)
8	.180 (4.57)

How To Order

SAMPLE PART NUMBER		806-088	S	-07	Z1	8-7	C	A
Series / Basic Part No.	806-088 Solder Cup/PC Tail Termination Hermetic Receptacle							
Rear Configuration	B = Banding Porch T = Accessory Threads		S = Standard Rear					
Mounting Type	02 = Box Mount 07 = Jam-Nut Mount		03 = Solder Mount 13 = Weld Mount					
Finish	Z1 = Passivated		ZL = Nickel Plated					
Shell Size - Insert Arr.	See Table I							
Contact Style	C = PC Term., Pin (only available for standoff rear configuration style) D = PC Term., Skt (only available for standoff rear configuration style) P = Solder Cup, Pin S = Solder Cup, Socket							
Polarization	A, B, C, D							

Table I: Shell Size - Insert Arrangement

Contact Layout	Number of Contacts					Contact Layout	Number of Contacts					Contact Layout	Number of Contacts				
	22HD	20HD	16	12	8		22HD	20HD	16	12	8		22HD	20HD	16	12	8
7-3	3					22-69	69				18-3				3		
8-4	4					24-92	92				20-4				4		
8-7	7					8-1		1			22-5				5		
9-11	11					10-2		2			24-8				8		
10-15	15					11-4		4			10-8A	6	2				
11-19	19					12-5		5			11-13	11	2				
12-26	26					14-7		7			12-27	26	1				
14-39	39					16-12		12			14-21	17	4				
16-60	60					18-15		15			16-41	37	4				
18-85	85					20-22		22			18-59	55	4				
20-110	110					22-24		24			11-14	13		1			
22-140	140					24-35		35			12-14	12		2			
24-186	186					9-1			1		14-22	20		2			
8-3		3				12-2			2		16-32	28		4			
9-5		5				14-3			3		16-42	40		2			
10-8		8				16-4			4		18-62	60		2			
11-10		10				16-7			7		14-20A	19			1		
12-15		15				18-8			8		16-22	20			2		
14-20		20				20-11			11		18-21	18			3		
16-31		31				22-13			13		20-28	24			4		
18-41		41				24-19			19		22-44	40			4		
20-55		55				10-1				1	24-97	93			4		
						16-2				2							

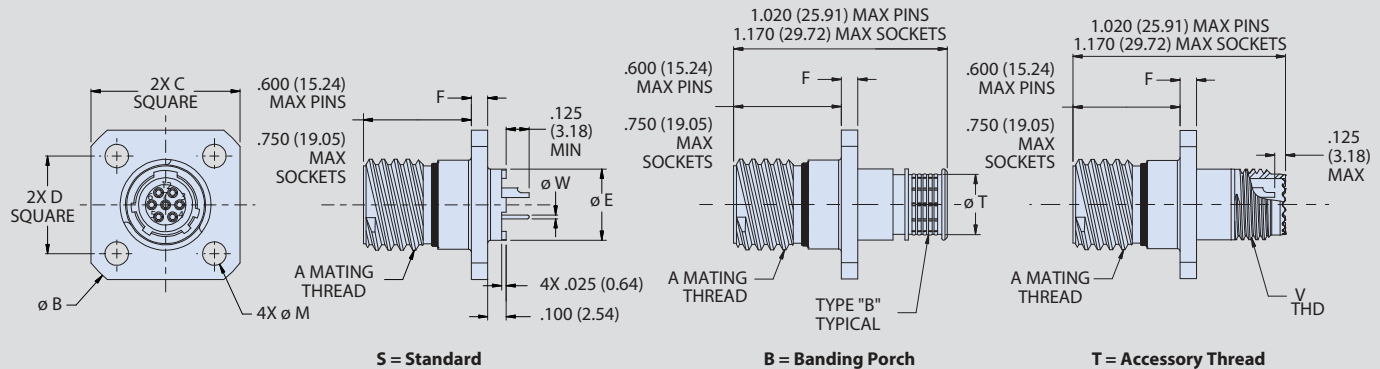
Series 806

Mil-Aero Connectors

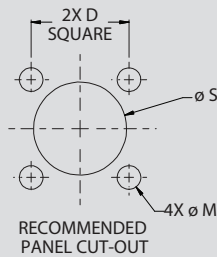
806-088 Solder Cup/PC Tail Termination Hermetic Receptacle



806-088-02 Box Mount Receptacle Dimensions

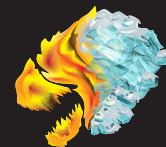


Shell Size	"A" Thread Mating -2L-TS-2A	"Ø B" Max Flange	"C" Square Max Flange Flats	"D" Square BSC Mounting Holes	"Ø E" ±.010 Mounting Boss	"F" Max Flange	"Ø M" Thru MTG Holes	"Ø S" Thru	"Ø T"	"V" Rear Accessory Thread
7	.4375-.067P	0.968 (24.59)	0.750 (19.05)	0.469 (11.91)	0.306 (7.77)	0.100 (2.54)	0.128 (3.25)	0.445 (11.30)	.265 (6.73)	M8 X 1 6g .100R
8	.5000-.067P	1.040 (26.42)	0.822 (20.88)	0.531 (13.49)	0.387 (9.83)			0.509 (12.93)	.327 (8.31)	M10 X 1 6g .100R
9	.5625-.067P	1.130 (28.70)	0.885 (22.48)	0.594 (15.09)	0.468 (11.89)			0.577 (14.66)	.406 (10.31)	M12 X 1 6g .100R
10	.6250-.067P	1.174 (29.82)	0.913 (23.19)	0.625 (15.88)	0.546 (13.87)			0.645 (16.38)	.484 (12.29)	M14 X 1 6g .100R
11	.6875-.067P	1.240 (31.50)	0.960 (24.38)	0.670 (17.02)	0.586 (14.88)			0.712 (18.08)	.524 (13.31)	M15 X 1 6g .100R
12	.7500-.067P	1.354 (34.39)	1.040 (26.42)	0.765 (19.43)	0.663 (16.84)			0.768 (19.51)	.603 (15.32)	M17 X 1 6g .100R
14	.8750-.067P	1.510 (38.35)	1.133 (28.78)	0.859 (21.82)	0.743 (18.87)			0.890 (22.61)	.681 (17.30)	M19 X 1 6g .100R
16	1.0000-.067P	1.620 (41.15)	1.227 (31.17)	0.938 (23.83)	0.842 (21.39)			1.015 (25.78)	.782 (19.86)	M22 X 1 6g .100R
18	1.1250-.067P	1.784 (45.31)	1.320 (33.53)	1.016 (25.81)	0.959 (24.36)	1.125 (28.58)	.899 (22.83)	M25 X 1 6g .100R		
20	1.2500-.067P	1.910 (48.51)	1.444 (36.68)	1.109 (28.17)	1.105 (28.07)	1.275 (32.39)	1.043 (26.49)	M28 X 1 6g .100R		
22	1.3750-.067P	2.083 (52.91)	1.570 (39.88)	1.203 (30.56)	1.215 (30.86)	1.400 (35.56)	1.155 (29.34)	M31 X 1 6g .100R		
24	1.5000-.067P	2.200 (55.88)	1.696 (43.08)	1.312 (33.32)	1.335 (33.91)	1.525 (38.73)	1.273 (32.33)	M34 X 1 6g .100R		



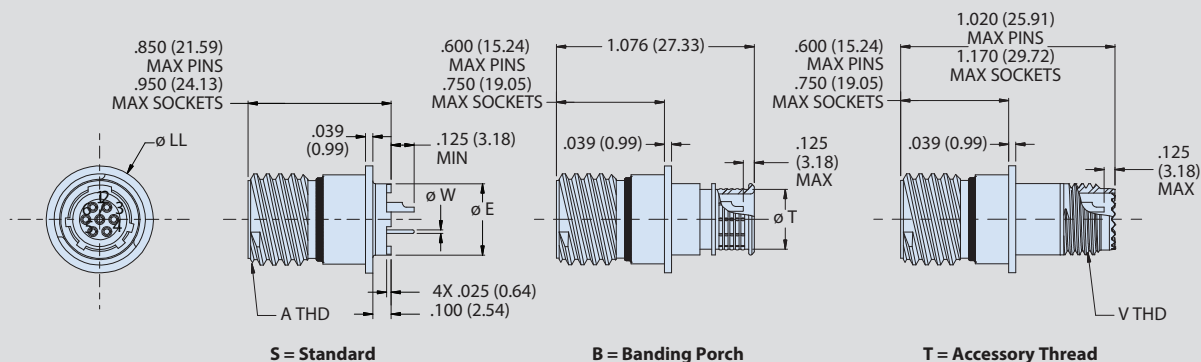
Series 806 Mil-Aero Connectors

806-088 Solder Cup/PC Tail Termination Hermetic Receptacle



ThermaRex™
CRYO

806-088-03 Solder Mount Receptacle Dimensions



Shell Size	"A" Thread Mating	"Ø E" ±.010 Mounting Boss	"Ø LL" Flange	"Ø T"	"V" Rear Accessory Thread
7	.4375-.067P-.2L-TS-2A	0.306 (7.77)	0.520 (13.21)	.265 (6.73)	M8 X 1 6g .100R
8	.5000-.067P-.2L-TS-2A	0.387 (9.83)	0.581 (14.76)	.327 (8.31)	M10 X 1 6g .100R
9	.5625-.067P-.2L-TS-2A	0.468 (11.89)	0.649 (16.48)	.406 (10.31)	M12 X 1 6g .100R
10	.6250-.067P-.2L-TS-2A	0.546 (13.87)	0.717 (18.21)	.484 (12.29)	M14 X 1 6g .100R
11	.6875-.067P-.2L-TS-2A	0.586 (14.88)	0.784 (19.91)	.524 (13.31)	M15 X 1 6g .100R
12	.7500-.067P-.2L-TS-2A	0.663 (16.84)	0.841 (21.36)	.603 (15.32)	M17 X 1 6g .100R
14	.8750-.067P-.2L-TS-2A	0.743 (18.87)	0.962 (24.43)	.681 (17.30)	M19 X 1 6g .100R
16	1.0000-.067P-.2L-TS-2A	0.842 (21.39)	1.087 (27.61)	.782 (19.86)	M22 X 1 6g .100R
18	1.1250-.067P-.2L-TS-2A	0.959 (24.36)	1.197 (30.40)	.899 (22.83)	M25 X 1 6g .100R
20	1.2500-.067P-.2L-TS-2A	1.105 (28.07)	1.347 (34.21)	1.043 (26.49)	M28 X 1 6g .100R
22	1.3750-.067P-.2L-TS-2A	1.215 (30.86)	1.472 (37.39)	1.155 (29.34)	M31 X 1 6g .100R
24	1.5000-.067P-.2L-TS-2A	1.335 (33.91)	1.597 (40.56)	1.273 (32.33)	M34 X 1 6g .100R

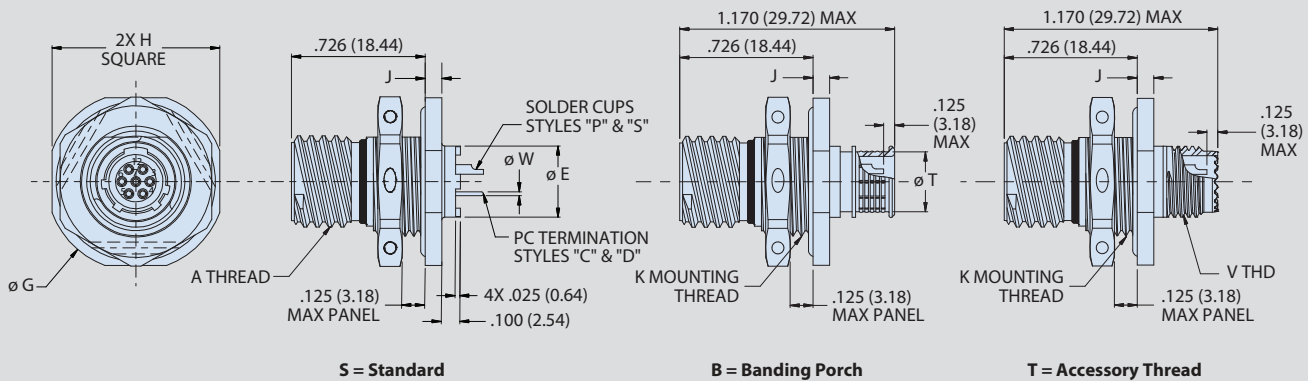
Series 806

Mil-Aero Connectors

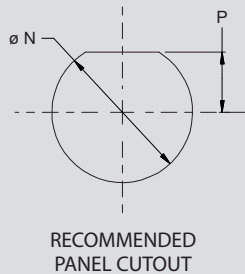
806-088 Solder Cup/PC Tail Termination Hermetic Receptacle



806-088-07 Jam-Nut Mount Receptacle Dimensions



Shell Size	"A" Thread Mating -.2L-TS-2A	"Ø E" ±.010 Mounting Boss	"Ø G" Max Flange	"H" Square Max Flange Flats	"J" Max Flange	"K" Thread Mounting	"Ø N" +.005/- .000 Mounting Hole	"P" +.005/- .000 Mounting Flat	"Ø T"	"V" Rear Accessory Thread
7	.4375-.067P	0.306 (7.77)	0.848 (21.54)	0.908 (23.06)	0.100 (2.54)	M13 X 1-6g .100R	0.522 (13.26)	0.224 (5.69)	.265 (6.73)	M8 X 1 6g .100R
8	.5000-.067P	0.387 (9.83)	0.980 (24.89)	0.920 (23.37)		M15 X 1-6g .100R	0.601 (15.27)	0.256 (6.50)	.327 (8.31)	M10 X 1 6g .100R
9	.5625-.067P	0.468 (11.89)	1.040 (26.42)	0.980 (24.89)		M16 X 1-6g .100R	0.640 (16.26)	0.287 (7.29)	.406 (10.31)	M12 X 1 6g .100R
10	.6250-.067P	0.546 (13.87)	1.110 (28.19)	1.050 (26.67)		M18 X 1-6g .100R	0.719 (18.26)	0.318 (8.08)	.484 (12.29)	M14 X 1 6g .100R
11	.6875-.067P	0.586 (14.88)	1.160 (29.46)	1.110 (28.19)		M19 X 1-6g .100R	0.759 (19.28)	0.350 (8.89)	.524 (13.31)	M15 X 1 6g .100R
12	.7500-.067P	0.663 (16.84)	1.230 (31.24)	1.170 (29.72)		M21 X 1-6g .100R	0.837 (21.26)	0.381 (9.68)	.603 (15.32)	M17 X 1 6g .100R
14	.8750-.067P	0.743 (18.87)	1.360 (34.54)	1.320 (33.53)		M24 X 1-6g .100R	0.955 (24.26)	0.443 (11.25)	.681 (17.30)	M19 X 1 6g .100R
16	1.0000-.067P	0.842 (21.39)	1.515 (38.48)	1.444 (36.68)		M27 X 1-6g .100R	1.073 (27.25)	0.505 (12.83)	.782 (19.86)	M22 X 1 6g .100R
18	1.1250-.067P	0.959 (24.36)	1.610 (40.89)	1.570 (39.88)		M30 X 1-6g .100R	1.192 (30.28)	0.568 (14.43)	.899 (22.83)	M25 X 1 6g .100R
20	1.2500-.067P	1.105 (28.07)	1.850 (46.99)	1.760 (44.70)		M34 X 1-6g .100R	1.349 (34.26)	0.630 (16.00)	1.043 (26.49)	M28 X 1 6g .100R
22	1.3750-.067P	1.215 (30.86)	2.010 (51.05)	1.913 (48.59)	M37 X 1-6g .100R	1.467 (37.26)	0.693 (17.60)	1.155 (29.34)	M31 X 1 6g .100R	
24	1.5000-.067P	1.335 (33.91)	2.195 (55.75)	2.070 (52.58)	M41 X 1-6g .100R	1.624 (41.25)	0.755 (19.18)	1.273 (32.33)	M34 X 1 6g .100R	

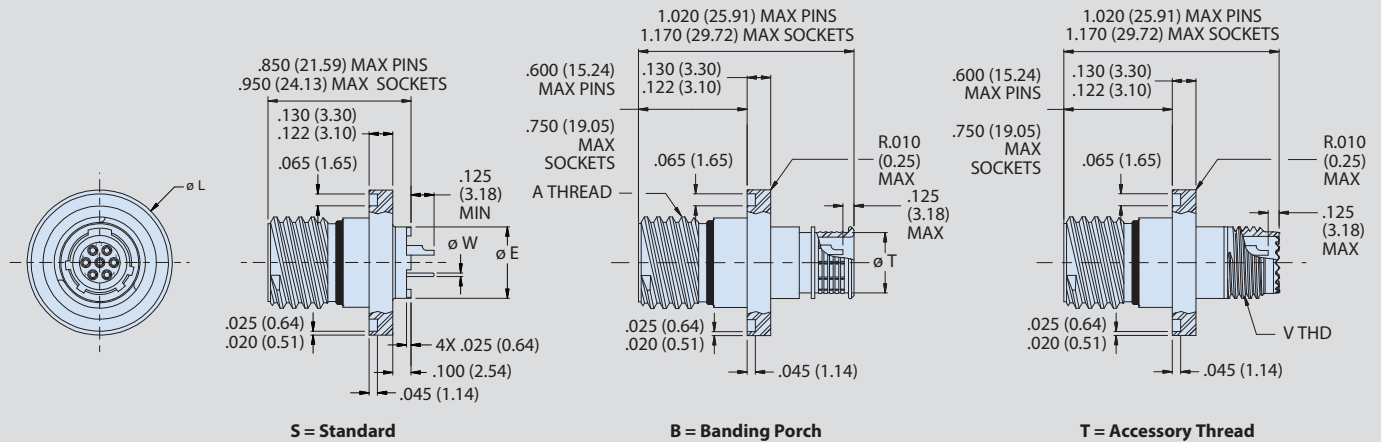


Series 806 Mil-Aero Connectors

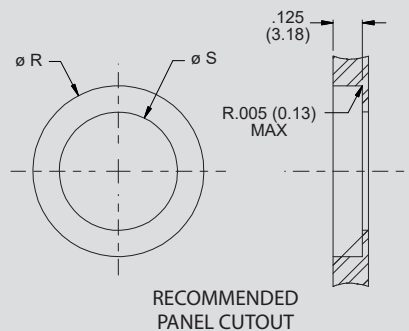
806-088 Solder Cup/PC Tail Termination Hermetic Receptacle



806-088-13 Weld Mount Receptacle Dimensions

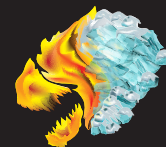


Shell Size	"A" Thread Mating	"Ø E" ±.005 Banding Porch	"Ø L" ±.002 Flange	"Ø R" ±.002 MTG Hole	"Ø S" Thru	"Ø T"	"V" Rear Accessory Thread
7	.4375-.067P-.2L-TS-2A	0.265 (6.73)	0.725 (18.42)	0.730 (18.54)	0.445 (11.30)	.265 (6.73)	M8 X 1 6g .100R
8	.5000-.067P-.2L-TS-2A	0.327 (8.31)	0.788 (20.02)	0.793 (20.14)	0.509 (12.93)	.327 (8.31)	M10 X 1 6g .100R
9	.5625-.067P-.2L-TS-2A	0.406 (10.31)	0.912 (23.16)	0.917 (23.29)	0.577 (14.66)	.406 (10.31)	M12 X 1 6g .100R
10	.6250-.067P-.2L-TS-2A	0.484 (12.29)	0.975 (24.76)	0.980 (24.89)	0.645 (16.38)	.484 (12.29)	M14 X 1 6g .100R
11	.6875-.067P-.2L-TS-2A	0.524 (13.31)	1.038 (26.37)	1.043 (26.49)	0.712 (18.08)	.524 (13.31)	M15 X 1 6g .100R
12	.7500-.067P-.2L-TS-2A	0.603 (15.32)	1.100 (27.94)	1.105 (28.07)	0.768 (19.51)	.603 (15.32)	M17 X 1 6g .100R
14	.8750-.067P-.2L-TS-2A	0.681 (17.30)	1.225 (31.12)	1.230 (31.24)	0.890 (22.61)	.681 (17.30)	M19 X 1 6g .100R
16	1.0000-.067P-.2L-TS-2A	0.782 (19.86)	1.350 (34.29)	1.355 (34.42)	1.015 (25.78)	.782 (19.86)	M22 X 1 6g .100R
18	1.1250-.067P-.2L-TS-2A	0.899 (22.83)	1.475 (37.47)	1.480 (37.59)	1.125 (28.58)	.899 (22.83)	M25 X 1 6g .100R
20	1.2500-.067P-.2L-TS-2A	1.043 (26.49)	1.600 (40.64)	1.605 (40.77)	1.275 (32.39)	1.043 (26.49)	M28 X 1 6g .100R
22	1.3750-.067P-.2L-TS-2A	1.155 (29.34)	1.725 (43.82)	1.730 (43.94)	1.400 (35.56)	1.155 (29.34)	M31 X 1 6g .100R
24	1.5000-.067P-.2L-TS-2A	1.273 (32.33)	1.850 (46.99)	1.855 (47.12)	1.525 (38.73)	1.273 (32.33)	M34 X 1 6g .100R



Series 806 Mil-Aero Connectors

806-089 Bulkhead Feedthrough Hermetic Receptacle



ThermaRex™
CRYO

Series 806 cryogenic capable hermetic receptacles feature stainless steel shells and glass-to-metal seals. Rated for -195°C to +200°C temperature range. Micro miniature Series 806 connectors save size and weight compared to legacy aerospace-grade hermetic connectors. These high performance connectors are suitable for pressurized bulkhead applications subject to vibration, moisture, and temperature extremes. 806-089 receptacles are equipped with either solder cup or PC tails.

Material/Finish

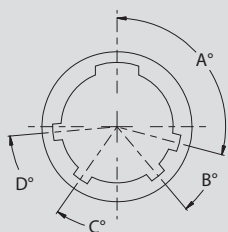
- Shell & jam-nut: 304L cres / per p/n dev
- Contacts, hermetic: Nickel-iron alloy / gold plate
- Contacts, sockets: Copper alloy / gold plate
- Hoods, sockets: 305 cres / passivate
- Insulator, hermetic: Vitreous glass
- Insulator, socket: High grade dielectric
- Seals & o-rings: Duraelectric™ K

Test Criteria

- Leak rate: 1×10^{-7} ccHe/sec @ 1 ATM. delta pressure
- DWV: 1300 VAC (#22 contacts)
1800 VAC (#20, #16, #12 contacts)
1000 VAC (#8 contacts)
- I.R. - 5000 MEGOHMS MIN @ 500 VDC

How To Order ThermaRex Series 806 Mil-Aero Jam-nut Receptacle	
SAMPLE PART NUMBER	806-089 -07 Z1 8-7 P A -01
Series / Basic Part No.	806-089 Bulkhead Feedthrough Hermetic Receptacle
Mounting Type	02 = Box Mount 07 = Jam-Nut Mount 13 = Weld Mount
Finish	Z1 = Passivated ZL = Nickel Plated
Shell Size - Insert Arr.	See Table I
Contact Style	P = Pin On Panel Side, Socket Opposite S = Socket On Panel Side, Pin Opposite PP = Pin-Pin Feedthrough SS = Socket-Socket Feedthrough
Polarization	A, B, C, D
Panel Thickness	-01 = .125 -02 = .250 -03 = .500

Polarization Key Code



POS	A°	B°	C°	D°
A	105°	140°	215°	265°
B	102°	170°	248°	305°
C	80°	150°	230°	295°
D	68°	140°	205°	275°
E	64°	155°	234°	304°
F	72°	120°	200°	298°

Panel Thickness

Code	"T" Max	"U" Max
-01	1.275 (32.39)	.750 (19.05)
-02	1.400 (35.56)	.875 (22.23)
-03	1.650 (41.91)	1.125 (28.58)

Table I: Shell Size - Insert Arrangement

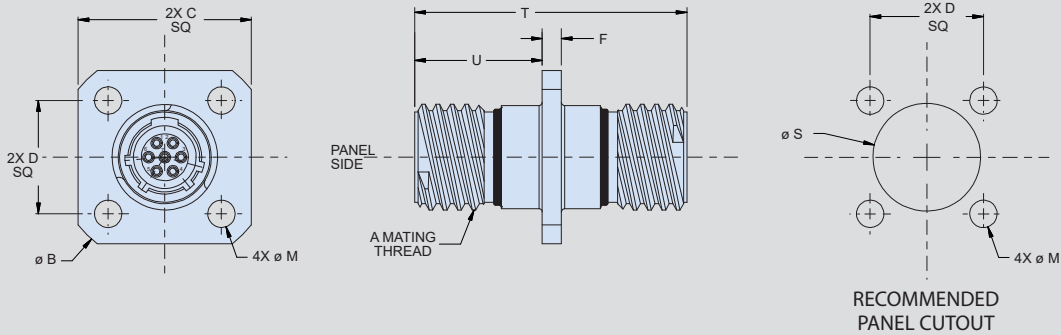
Contact Layout	Number of Contacts					Contact Layout	Number of Contacts					Contact Layout	Number of Contacts				
	22HD	20HD	16	12	8		22HD	20HD	16	12	8		22HD	20HD	16	12	8
7-3	3					22-69	69				18-3				3		
8-4	4					24-92	92				20-4				4		
8-7	7					8-1		1			22-5				5		
9-11	11					10-2		2			24-8				8		
10-15	15					11-4		4			10-8A	6		2			
11-19	19					12-5		5			11-13	11		2			
12-26	26					14-7		7			12-27	26		1			
14-39	39					16-12		12			14-21	17		4			
16-60	60					18-15		15			16-41	37		4			
18-85	85					20-22		22			18-59	55		4			
20-110	110					22-24		24			11-14	13			1		
22-140	140					24-35		35			12-14	12			2		
24-186	186					9-1			1		14-22	20			2		
8-3		3				12-2			2		16-32	28			4		
9-5		5				14-3			3		16-42	40			2		
10-8		8				16-4			4		18-62	60			2		
11-10		10				16-7			7		14-20A	19			1		
12-15		15				18-8			8		16-22	20			2		
14-20		20				20-11			11		18-21	18			3		
16-31		31				22-13			13		20-28	24			4		
18-41		41				24-19			19		22-44	40			4		
20-55		55				10-1				1	24-97	93			4		
						16-2									2		

Series 806

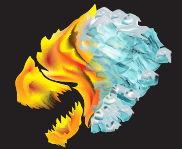
Mil-Aero Connectors

806-089 Bulkhead Feedthrough Hermetic Receptacle

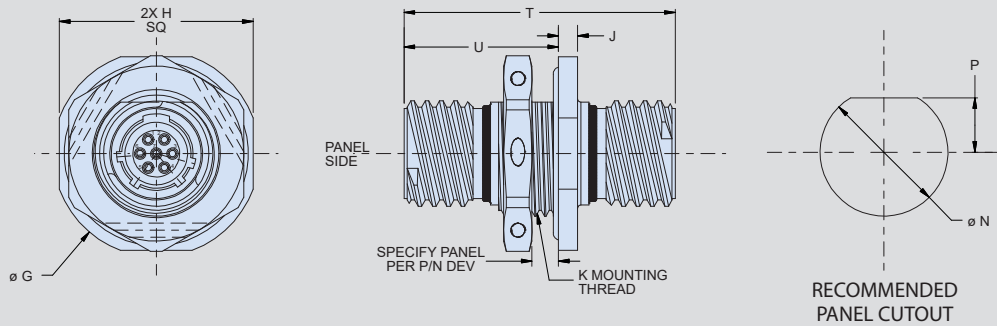
806-089-02 Box Mount Receptacle Dimensions



Shell Size	"A" Thread Mating	"Ø B" Max Flange	"C" Square Max Flange Flats	"D" Square BSC Mounting Holes	"F" Max Flange	"Ø M" Thru MTG Holes
7	.4375-.067P-.2L-TS-2A	0.968 (24.59)	0.750 (19.05)	0.469 (11.91)	0.100 (2.54)	0.128 (3.25)
8	.5000-.067P-.2L-TS-2A	1.040 (26.42)	0.822 (20.88)	0.531 (13.49)		
9	.5625-.067P-.2L-TS-2A	1.130 (28.70)	0.885 (22.48)	0.594 (15.09)		
10	.6250-.067P-.2L-TS-2A	1.174 (29.82)	0.913 (23.19)	0.625 (15.88)		
11	.6875-.067P-.2L-TS-2A	1.240 (31.50)	0.960 (24.38)	0.670 (17.02)		
12	.7500-.067P-.2L-TS-2A	1.354 (34.39)	1.040 (26.42)	0.765 (19.43)		
14	.8750-.067P-.2L-TS-2A	1.510 (38.35)	1.133 (28.78)	0.859 (21.82)	0.125 (3.18)	0.154 (3.91)
16	1.0000-.067P-.2L-TS-2A	1.620 (41.15)	1.227 (31.17)	0.938 (23.83)		
18	1.1250-.067P-.2L-TS-2A	1.784 (45.31)	1.320 (33.53)	1.016 (25.81)		
20	1.2500-.067P-.2L-TS-2A	1.910 (48.51)	1.444 (36.68)	1.109 (28.17)		
22	1.3750-.067P-.2L-TS-2A	2.083 (52.91)	1.570 (39.88)	1.203 (30.56)		
24	1.5000-.067P-.2L-TS-2A	2.200 (55.88)	1.696 (43.08)	1.312 (33.32)		

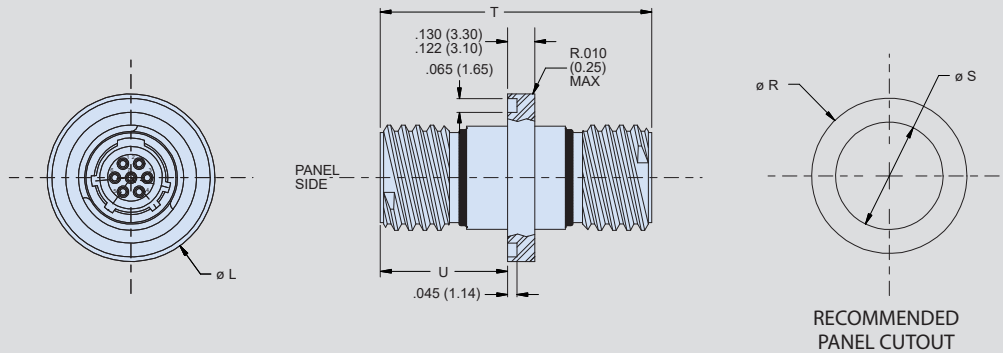


806-089-07 Jam-Nut Mount Receptacle Dimensions



Shell Size	"A" Thread Mating	"ø G" MAX Flange	"H" Square Max Flange Flats	"J" Max Flange	"K" Thread Mounting
7	.4375-.067P-.2L-TS-2A	0.848 (21.54)	0.908 (23.06)	0.100 (2.54)	M13 X 1-6g-.100R
8	.5000-.067P-.2L-TS-2A	0.980 (24.89)	0.920 (23.37)		M15 X 1-6g .100R
9	.5625-.067P-.2L-TS-2A	1.040 (26.42)	0.980 (24.89)		M16 X 1-6g .100R
10	.6250-.067P-.2L-TS-2A	1.110 (28.19)	1.050 (26.67)		M18 X 1-6g .100R
11	.6875-.067P-.2L-TS-2A	1.160 (29.46)	1.110 (28.19)		M19 X 1-6g .100R
12	.7500-.067P-.2L-TS-2A	1.230 (31.24)	1.170 (29.72)		M21 X 1-6g .100R
14	.8750-.067P-.2L-TS-2A	1.360 (34.54)	1.320 (33.53)		M24 X 1-6g .100R
16	1.0000-.067P-.2L-TS-2A	1.515 (38.48)	1.444 (36.68)		M27 X 1-6g .100R
18	1.1250-.067P-.2L-TS-2A	1.610 (40.89)	1.570 (39.88)		M30 X 1-6g .100R
20	1.2500-.067P-.2L-TS-2A	1.850 (46.99)	1.760 (44.70)		M34 X 1-6g .100R
22	1.3750-.067P-.2L-TS-2A	2.010 (51.05)	1.913 (48.59)	0.128 (3.25)	M37 X 1-6g .100R
24	1.5000-.067P-.2L-TS-2A	2.195 (55.75)	2.070 (52.58)		M41 X 1-6g .100R

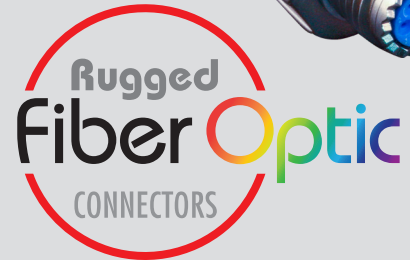
806-089-13 Weld Mount Receptacle Dimensions



Shell Size	"A" Thread Mating	" ϕL " $\pm .002$ Flange	" ϕR " $\pm .002$ MTG Hole	" ϕS " Thru
7	.4375-.067P-.2L-TS-2A	0.725 (18.42)	0.730 (18.54)	0.445 (11.30)
8	.5000-.067P-.2L-TS-2A	0.788 (20.02)	0.793 (20.14)	0.509 (12.93)
9	.5625-.067P-.2L-TS-2A	0.912 (23.16)	0.917 (23.29)	0.577 (14.66)
10	.6250-.067P-.2L-TS-2A	0.975 (24.76)	0.980 (24.89)	0.645 (16.38)
11	.6875-.067P-.2L-TS-2A	1.038 (26.37)	1.043 (26.49)	0.712 (18.08)
12	.7500-.067P-.2L-TS-2A	1.100 (27.94)	1.105 (28.07)	0.768 (19.51)
14	.8750-.067P-.2L-TS-2A	1.225 (31.12)	1.230 (31.24)	0.890 (22.61)
16	1.0000-.067P-.2L-TS-2A	1.350 (34.29)	1.355 (34.42)	1.015 (25.78)
18	1.1250-.067P-.2L-TS-2A	1.475 (37.47)	1.480 (37.59)	1.125 (28.58)
20	1.2500-.067P-.2L-TS-2A	1.600 (40.64)	1.605 (40.77)	1.275 (32.39)
22	1.3750-.067P-.2L-TS-2A	1.725 (43.82)	1.730 (43.94)	1.400 (35.56)
24	1.5000-.067P-.2L-TS-2A	1.850 (46.99)	1.855 (47.12)	1.525 (38.73)



Series 806 Mil-Aero Fiber Optics



High data rate, reduced size and weight micro miniature F/O connector series

Glenair's innovative fiber optic / electrical connector design meets key performance benchmarks for harsh vibration, shock, and environmental settings in rigid conformance with MIL-DTL-38999 Series III—but at nearly half the size and weight. The rugged fiber optic connection system delivers typical insertion loss 0.5 dB and supports 50/125, 62.5/125, and 9/125 size fiber in singlemode (1310 and 1550 nm) and multimode (850 and 1300 nm) wavelengths. Glenair Signature #20HD fiber optic termini offer the same high data rate performance as larger size #16 D38999 series connectors with more fiber lines and reduced shell size in every insert arrangement.

SAVE SIZE AND WEIGHT WITH SERIES 806 CONNECTORS

- Next-generation small form factor aerospace-grade circular connector
- Designed for harsh application environments such as military and commercial aircraft
- Outstanding environmental, electrical, optical, and mechanical performance
- Integrated anti-decoupling technology
- High density 20HD fiber termini arrangements
- Low dB loss

Series 806 Mil-Aero smallest shell (size 8) .500 in. mating threads 3 #20 electrical or optical contacts / termini



MIL-DTL-38999 smallest shell (size 11) .750 in. mating threads 2 #16 electrical or optical contacts / termini

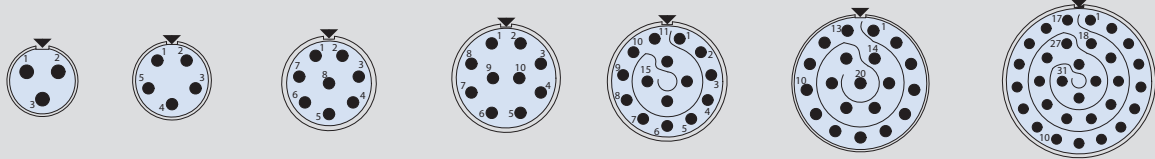
Series 806 Mil-Aero Connectors

Fiber Optic Connectors, Termini, and Backshells

Series 806 Arrangements compatible with #20HD Fiber Optic Termini

Mating face of pin connector. Socket numbering is reversed.

Symbol ▼ indicates master key location.

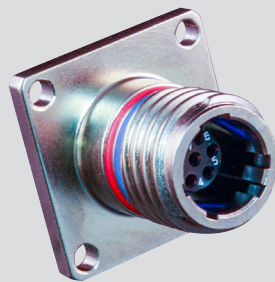


Arrangement No.	8-3	9-5	10-8	11-10	12-15	14-20	16-31
No. of Termini	3	5	8	10	15	20	31

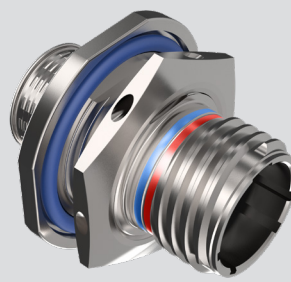
CONNECTOR PLUG AND RECEPTACLE SHELL STYLES FOR #20HD FIBER OPTIC TERMINI



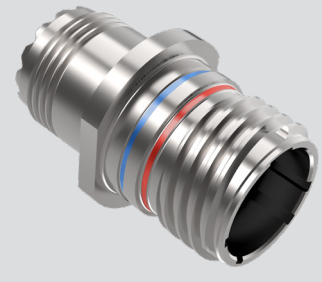
Cable Plug



Square-Flange Receptacle

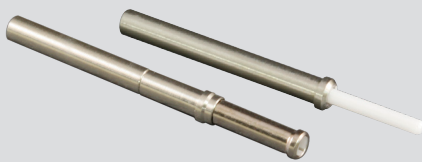


Jam-nut Receptacle



In-Line Receptacle

#20HD FIBER OPTIC TERMINI FOR SERIES 806 MIL-AERO CONNECTORS



Single or multimode. Ceramic ferrule. 0.5 dB loss. Size 20HD fiber optic termini are compatible with Series 806 connectors with size 20HD contact arrangements. These snap-in, rear release termini feature precision ceramic ferrules and alignment sleeves for accurate fiber alignment. Typical insertion loss 0.5 dB. Fits 50/125 and 62.5/125 multimode and 9/125 singlemode fiber.

MATERIAL/FINISH

- Ferrule, alignment sleeve: zirconia ceramic
- Body, shroud: copper/nickel/zinc alloy
- Spring (socket, not shown): SST/passivated
- Protective cover (socket): BeCu alloy/nickel plated

How-To-Order #20HD Fiber Optic Termini for Series 806 Connectors

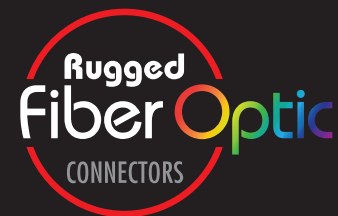
Termini Type	Optical Fiber Type	Part Number	ØA Ferrule Hole	Fiber Size Core/Cladding
Pin	Singlemode	181-134-1255	125.5 microns	9/125
Pin	Multimode	181-134-126	126.0 microns	50/125, 62.5/125
Socket	Singlemode	181-135-1255	125.5 microns	9/125
Socket	Multimode	181-135-126	126.0 microns	50/125, 62.5/125

FACTORY-TERMINATED SERIES 806 FIBER OPTIC CABLE ASSEMBLIES



Glenair is able to supply turnkey fiber optic cable assemblies for both environmental applications as well as non-jacketed harnesses for use inside the box. Rugged Series 806 Mil-Aero with size #20 HD fiber optic termini are a significant size and weight savings compared to conventional D38999 or other standards. Please consult the factory for design assistance and quoting.

FIBER OPTIC, MICRO MINIATURE CIRCULAR
Series 806
Mil-Aero Connectors
 Fiber Optic Connectors

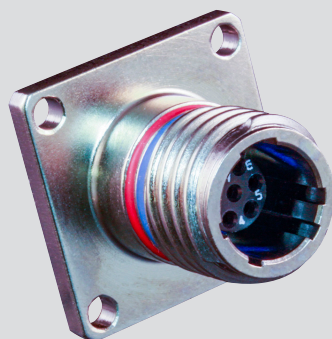


806-012 CABLE PLUG WITH #20HD FIBER OPTIC TERMINI



		How To Order					
SAMPLE PART NUMBER		806-012	-ME	10-8	B	M	A
Product	806-012 = Cable Plug						
Shell Material and Finish	ME = Aluminum, Electroless Nickel MT = Aluminum, Ni/PTFE ZR = Aluminum, Black Zinc-Nickel NF = Aluminum, Olive Drab Cadmium Z1 = Stainless Steel, Passivated						
Arrangement Number (Shell Size - Insert Arr.)	8-3, 9-5, 10-8, 11-10, 12-15, 14-20, 16-31 (see table on previous page)						
Contact Type	Connector supplied without termini A = Pin B = Socket order fiber optic termini separately						
Shell Style	M = Metric accessory threads B = Nano Band platform						
Polarizing Position	A B C D E F						

806-013 SQUARE FLANGE RECEPTACLE WITH FIBER OPTIC TERMINI



		How To Order						
SAMPLE PART NUMBER		806-013	-ME	10-8	A	B	T	A
Product	806-013 = Panel Receptacle, Square Flange							
Shell Material and Finish	ME = Aluminum, Electroless Nickel MT = Aluminum, Ni/PTFE ZR = Aluminum, Black Zinc-Nickel NF = Aluminum, Olive Drab Cadmium Z1 = Stainless Steel, Passivated							
Arrangement Number (Shell Size - Insert Arr.)	8-3, 9-5, 10-8, 11-10, 12-15, 14-20, 16-31 (see table on previous page)							
Contact Type	Connector supplied without termini A = Pin B = Socket order fiber optic termini separately							
Shell Style	M = Metric accessory threads B = Nano Band platform							
Mounting Hole Style	T = Thru holes C = Clinch nut, #4-40 (rear panel mounting)							
Polarizing Position	A B C D E F							

SPECIFICATIONS

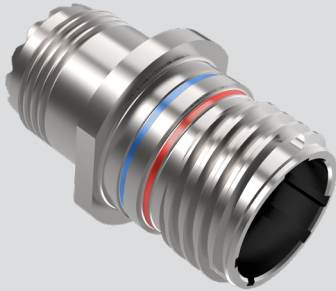
- Operating temperature: connector capable of -55°C to +200°C. Temperature rating for fiber applications limited by cable an epoxy used.
- Termination method: epoxy/polish
- Mating durability: 500 cycles
- Random vibration: 49.5 Grms, EIA-364-28 Test Condition V. Maximum optical discontinuity 0.5 dB, 50 microseconds.
- Mechanical shock: 300 G, TIA-455-14 Test Condition D. Maximum optical discontinuity 0.5 dB, 50 microseconds.

Series 806 Mil-Aero Connectors

Fiber Optic Connectors

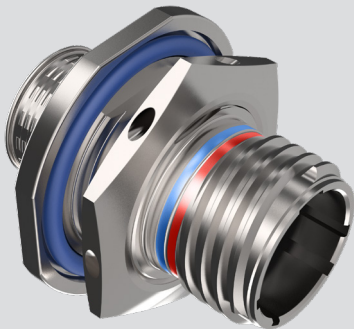


806-019 IN-LINE RECEPTACLE WITH FIBER OPTIC TERMINI



		How To Order					
SAMPLE PART NUMBER		806-019	-ME	10-8	A	M	A
Product	806-019 = In-Line Receptacle						
Shell Material and Finish	ME = Aluminum, Electroless Nickel MT = Aluminum, Ni/PTFE ZR = Aluminum, Black Zinc-Nickel NF = Aluminum, Olive Drab Cadmium Z1 = Stainless Steel, Passivated						
Arrangement Number (Shell Size - Insert Arr.)	8-3, 9-5, 10-8, 11-10, 12-15, 14-20, 16-31 (see table on previous page)						
Contact Type	Connector supplied without termini A = Pin B = Socket order fiber optic termini separately						
Shell Style	M = Metric accessory threads B = Nano Band platform						
Polarizing Position	A B C D E F						

806-020 JAM-NUT RECEPTACLE WITH FIBER OPTIC TERMINI



		How To Order					
SAMPLE PART NUMBER		806-020	-ME	10-8	A	M	A
Product	806-020 = Jam-nut Receptacle						
Shell Material and Finish	ME = Aluminum, Electroless Nickel MT = Aluminum, Ni/PTFE ZR = Aluminum, Black Zinc-Nickel NF = Aluminum, Olive Drab Cadmium Z1 = Stainless Steel, Passivated						
Arrangement Number (Shell Size - Insert Arr.)	8-3, 9-5, 10-8, 11-10, 12-15, 14-20, 16-31 (see table on previous page)						
Contact Type	Connector supplied without termini A = Pin B = Socket order fiber optic termini separately						
Shell Style	M = Metric accessory threads B = Nano Band platform						
Polarizing Position	A B C D E F						

SPECIFICATIONS

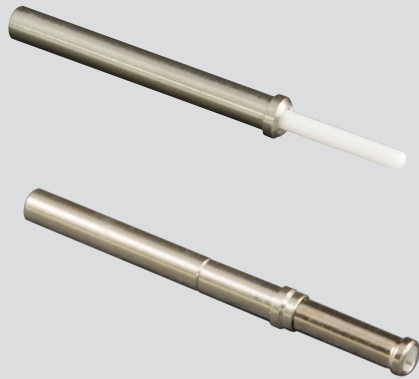
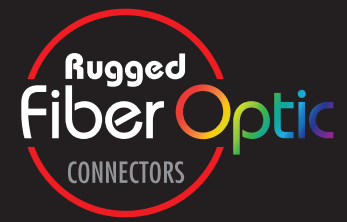
- Operating temperature: connector capable of -55°C to +200°C. Temperature rating for fiber limited by cable an epoxy used.
- Termination method: epoxy/polish
- Mating durability: 500 cycles
- Random vibration: 49.5 Grms, EIA-364-28 Test Condition V. Maximum optical discontinuity 0.5 dB, 50 microseconds.
- Mechanical shock: 300 G, TIA-455-14 Test Condition D. Maximum optical discontinuity 0.5 dB, 50 microseconds.

FIBER OPTIC, MICRO MINIATURE CIRCULAR

Series 806

Mil-Aero Connectors

Size #20HD Fiber Optic Termini



Single or multi mode. Ceramic ferrule. 0.5 dB loss. Size 20HD fiber optic termini are compatible with Series 806 connectors with size 20HD contact arrangements. These snap-in, rear release termini feature precision ceramic ferrules for accurate fiber alignment. Typical insertion loss 0.5 dB. Fits 50/125 and 62.5/125 multi mode and 9/125 single mode fiber.

#20HD Fiber Optic Termini for Series 806 Connectors

Termini Type	Optical Fiber Type	Part Number	ØA Ferrule Hole	Fiber Size Core/Cladding
Pin	Single Mode	181-134-1255	125.5 microns	9/125
Pin	Multi Mode	181-134-126	126.0 microns	50/125, 62.5/125
Socket	Single Mode	181-135-1255	125.5 microns	9/125
Socket	Multi Mode	181-135-126	126.0 microns	50/125, 62.5/125

Specifications

- Operating temperature: -55°C to +125°C
Temperature rating depends on the cable and epoxy used.
- Termination method: epoxy/polish
- Mating durability: 500 cycles
- Random vibration: 49.5 Grms, EIA-364-28 Test Condition V. Maximum optical discontinuity 0.5 dB, 50 microseconds.
- Mechanical shock: 300 G, TIA-455-14 Test Condition D. Maximum optical discontinuity 0.5 dB, 50 microseconds.

Construction

- Ferrule, alignment sleeve: zirconia ceramic
- Body, shroud: copper/nickel/zinc alloy
- Spring (socket, not shown): stainless steel, passivated
- Protective cover (socket): copper alloy, nickel plated

Termination Tools

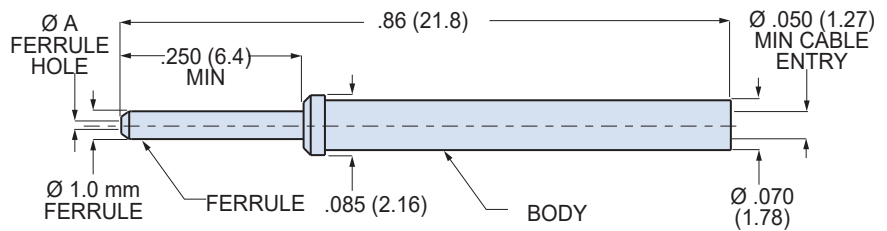
- Polishing pucks

Puck Style	Type	Tool PN
Pin	dry polish	182-056P
	wet polish	182-056PW
Socket	dry polish	182-056S
	wet polish	182-056SW

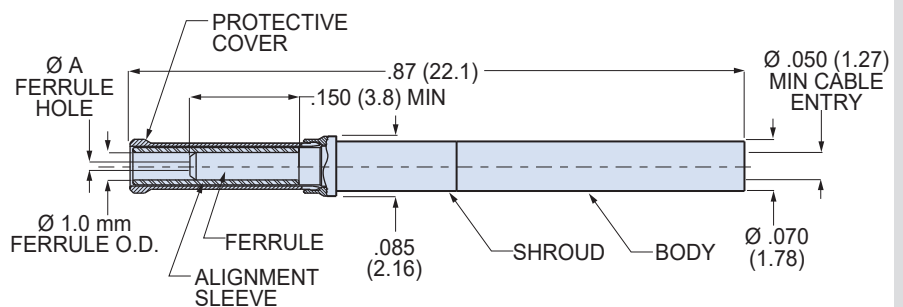
Assembly Tools

- Plastic insertion/extraction tool: 809-203D
- Metal insertion/extraction tool: 809-203

#20HD Pin Terminus 181-134



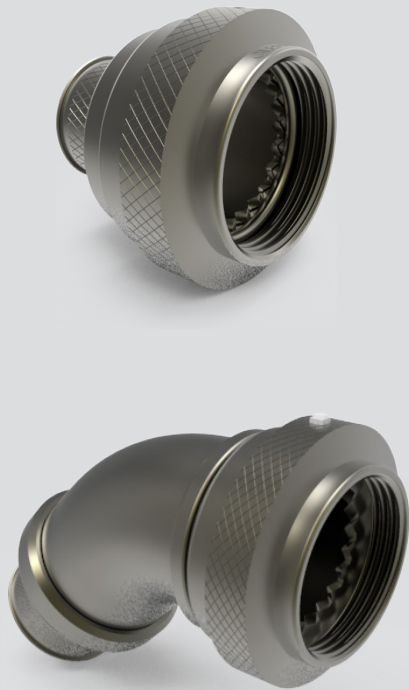
#20HD Socket Terminus 181-135



Series 806

Mil-Aero Connectors

440V*213 Fiber Optic Connector Backshells



Series 44 environmental backshells with swept 45° and 90° profiles are ideal for combo copper /fiber insert arrangements where EMI/RFI shielding and environmental sealing are needed. Anti-decoupling device for improved vibration resistance and detents to allow for axial positioning of backshell for improved cable routing.

How To Order										
SAMPLE PART NUMBER	440V	S	213	MT	20	12	-8	B	P	T
Product	440V = Series 806 Backshell									
Angular Function	S = Straight N = 90° M = 45°									
Basic No.	213									
Finish Code	ME = Aluminum Alloy; Electroless Nickel NF = Aluminum Alloy; Cadmium/O.D. over Electroless Nickel (500 hr salt spray) MT = Aluminum Alloy; Electroless Nickel-PTFE ZR = Aluminum Alloy; Zinc Nickel, Black over Electroless Nickel Z1 = Stainless Steel; Passivate									
Shell Size	See									
Dash Number	See Table III									
Length	Length in 1/8 Inch Increments (8 = 1 inch); See Note 3									
Band Option	B = Band K = Precoiled; omit if not required									
Shield Termination Finish	P = Polysulfide Plating Shield; See Note 4									
Shrink Boot Material Options	See Table II; See Note 5									

Table II: Shrink Boot Options

Code	Description
T	Standard Fluid Resistant Elastomer With Adhesive Pre-Applied
TU	Standard Fluid Resistant Elastomer
N	Radiation Resistant Polyolefin, -50°C To 150°C (No Adhesive Option)
S	Low Outgassing Fluoropolymer; Use 779-001 As Adhesive Option (Not Included)
SU	Low-Outgassing Fluoropolymer, See Table III; Omit For None

TABLE III

Dash No	X Dia	Y Dia	Z Dia	Shrink Boot T Or H Ref	Shrink Boot w/Adhesive
02	0.125 (3.18)	0.165 (4.19)	0.266 (6.76)	809S060-1*U	809S060-1*
03	0.188 (4.78)	0.228 (5.79)	0.329 (8.36)	809S060-1*U	809S060-1*
04	0.250 (6.35)	0.290 (7.37)	0.391 (9.93)	809S060-2*U	809S060-2*
05	0.312 (7.92)	0.353 (8.97)	0.453 (11.51)	809S060-2*U	809S060-2*
06	0.375 (9.52)	0.415 (10.54)	0.516 (13.11)	809S060-2*U	809S060-2*
07	0.438 (11.13)	0.478 (12.14)	0.579 (14.71)	809S060-2*U	809S060-2*
08	0.500 (12.70)	0.540 (13.72)	0.641 (16.28)	809S060-3*U	809S060-3*
09	0.562 (14.27)	0.603 (15.32)	0.703 (17.86)	809S060-3*U	809S060-3*
10	0.625 (15.88)	0.665 (16.89)	0.766 (19.46)	809S060-3*U	809S060-3*
11	0.688 (17.48)	0.728 (18.49)	0.829 (21.06)	809S060-4*U	809S060-4*
12	0.750 (19.05)	0.800 (20.32)	0.891 (22.63)	809S060-4*U	809S060-4*
13	0.812 (20.62)	0.863 (21.92)	0.953 (24.21)	809S060-4*U	809S060-4*
14	0.875 (22.23)	0.925 (23.50)	1.016 (25.81)	809S060-5*U	809S060-5*
15	0.938 (23.83)	0.988 (25.10)	1.079 (27.41)	809S060-5*U	809S060-5*
16	1.000 (25.40)	1.050 (26.67)	1.141 (28.98)	809S060-5*U	809S060-5*
17	1.062 (26.97)	1.113 (28.27)	1.203 (30.56)	809S060-6*U	809S060-6*
18	1.125 (28.58)	1.175 (29.85)	1.266 (32.16)	809S060-6*U	809S060-6*
20	1.250 (31.75)	1.310 (33.27)	1.391 (35.33)	809S060-6*U	809S060-6*

FIBER OPTIC, MICRO MINIATURE CIRCULAR Series 806 Mil-Aero Connectors 440V*213 Fiber Optic Connector Backshells

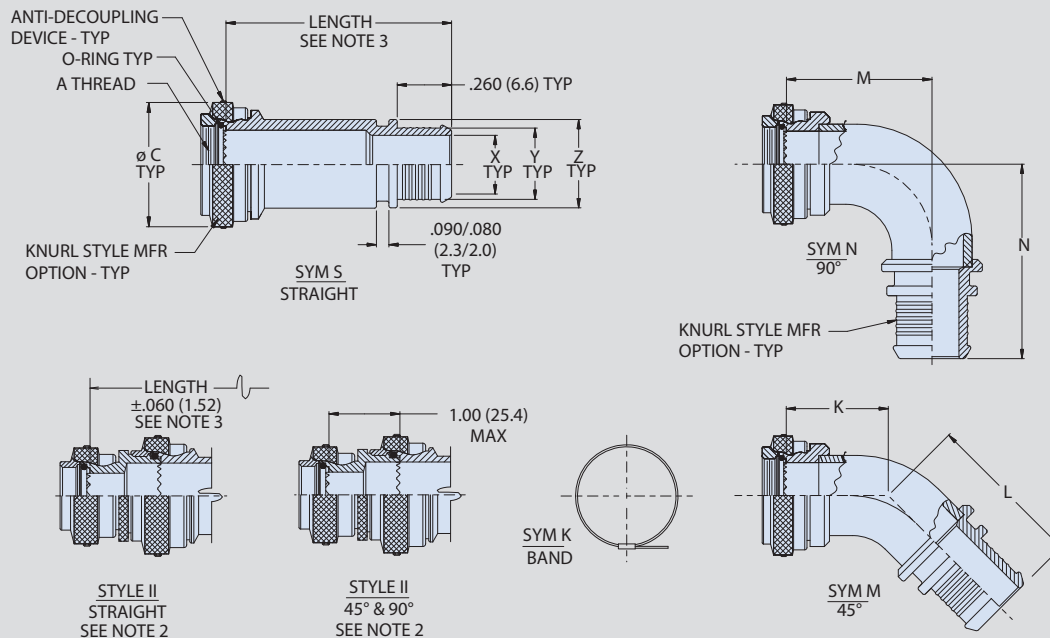
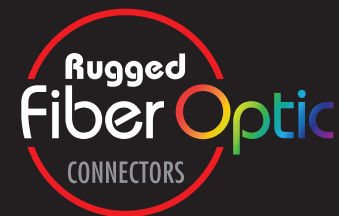


TABLE I

Shell Size	A Thread	Ø C Max	K Max	L Max	M Max	N Max	Max Dash No.
08	M10 x 1-6H	.692(17.58)	.790(20.07)	.965(24.51)	.940(23.88)	1.125(28.58)	04
09	M12 x 1-6H	.786(19.96)	.790(20.07)	.965(24.51)	.940(23.88)	1.125(28.58)	05
10	M14 x 1-6H	.883(22.43)	.790(20.07)	1.035(26.29)	.970(24.64)	1.225(31.12)	06
11	M15 x 1-6H	.911(23.14)	.790(20.07)	1.035(26.29)	.970(24.64)	1.225(31.12)	07
12	M17 x 1-6H	1.002(25.45)	.830(21.08)	1.115(28.32)	1.040(26.42)	1.325(33.66)	08
14	M19 x 1-6H	1.066(27.08)	.830(21.08)	1.115(28.32)	1.040(26.42)	1.325(33.66)	09
16	M22 x 1-6H	1.196(30.38)	.840(21.34)	1.185(30.10)	1.080(27.43)	1.425(36.20)	11
18	M25 x 1-6H	1.311(33.30)	.890(22.61)	1.265(32.13)	1.140(28.96)	1.515(38.48)	13
20	M28 x 1-6H	1.430(36.32)	.920(23.37)	1.335(33.91)	1.210(30.73)	1.615(41.02)	15
22	M31 x 1-6H	1.548(39.32)	.950(24.13)	1.395(35.43)	1.280(32.51)	1.715(43.56)	17
24	M34 x 1-6H	1.696(43.08)	.970(24.64)	1.455(36.96)	1.330(33.78)	1.815(46.10)	18

NOTES

- For effective grounding connector with conductive finish should be used
- When Cable entry exceeds max. in Table I, Style II will be supplied. Dimensions F, G, H, J, K, L, M & N will not apply
- Standard minimum length for style I is 0.75, for style II is 1.5 inches, for shorter length, consult factory, applies to SYM S, straight only
- When polysulfide barrier is selected for plating shield termination surface shall be free of cadmium.
- See 809-060 for additional shrink boot options
- Material / Finish:
 - Adapters, elbows, coupling nut; see How-to-Order table
 - Anti-decoupling device: corrosion resistant material
 - O-rings: silicone/N.A.
 - Shrink boot: see individual drawings
 - Band: CRES/passivated

Series 806 Mil-Aero Connectors

337V*014 Fiber Optic Composite Fiber-Con™ Connector Backshells



Series 37 Fiber-Con environmental composite backshells with swept 45° and 90° profiles are ideal for fiber media routing. Backshells offer a full range of connector-to-conduit adapters. Anti-decoupling device for improved vibration resistance, and detents to allow for axial positioning of backshell for improved cable routing. Special wire grommet ensures axial alignment of fiber media. Optional purple color readily identifies fiber runs (purple conduit also available).

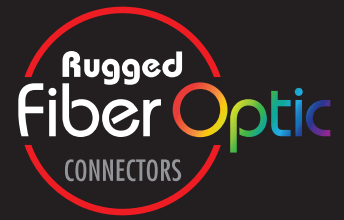
How To Order	
SAMPLE PART NUMBER	377V S 014 XM 11-10 06 4 T
Product	377V = Series 806 Backshell
Angular Function	S = Straight W = 90° Solid Elbow T = 45° Solid Elbow
Basic No.	014
Finish Code	See Table I
Shell Size - Insert Arrangement	11-10, 16-31, 18-41, 20-55, 22-69, 24-92
Optional Entry Size	See Table II; omit for standard. Table I not applicable to SYM G
Length	Length in 1/2 inch increments (e.g. 4 = 2 inches)
Adapter Options	Sym G = Gland nut Sym T = Tubing adapter, Glenair Types E, F, P & T Sym K = Tubing adapter with nut, Glenair peek Sym TB = Tubing adapter supplied with band, Glenair Types E, F, P & T Sym TN = Tubing adapter with nut, Glenair Types E, F, P & T Omit for standard shrink boot adapter

NOTES

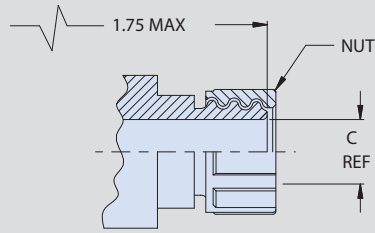
- Glenair 600 Series backshell assembly tools are recommended for assembly and installation
- Standard Min. Order Length 1.5 inch, consult factory for shorter lengths
- For sealing plugs see Glenair drawing 687-142
- Material:
 - Adapters, elbows, ferules, coupling nut, nut: high-grade engineering thermoplastic/see Table I
 - Grommet, O-ring: fluorosilicone/N/A.
 - anti-decoupling device: corrosion resistant material/N.A.

Table I		
SYM	FINISH DESCRIPTION	COMPONENTS
-	Dash (-) for no plating	Adapter, coupling nut & RFI nut
XB	No plating - black color	Adapter, coupling nut & RFI nut
XM	1000 Hour corrosion resistant electroless nickel	Adapter & RFI nut
	No plating - amber color	Coupling nut & rear components
XW	1000 Hour corrosion resistant Cad/O.D. Over electroless nickel	Backshell
	No plating - amber color	Coupling nut & rear components
XMT	Copper flash - gps52-xmt (JCP-3)	
XV	No plating - black or purple color (Mfg option)	Body & rear adapter
	No plating - purple color	Coupling nut & rear nut

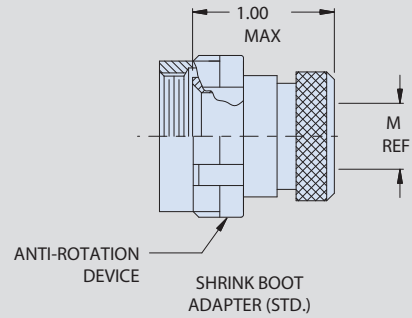
Series 806 Mil-Aero Connectors



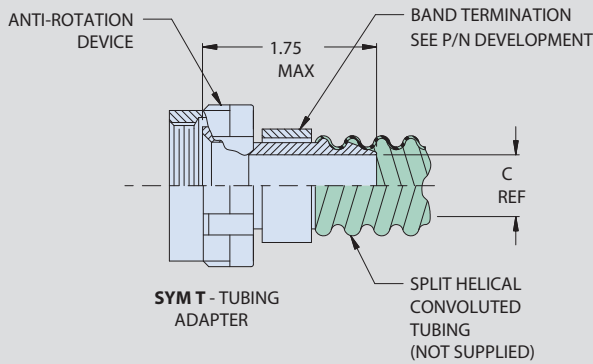
337V*014 Fiber Optic Composite Fiber-Con™ Connector Backshells



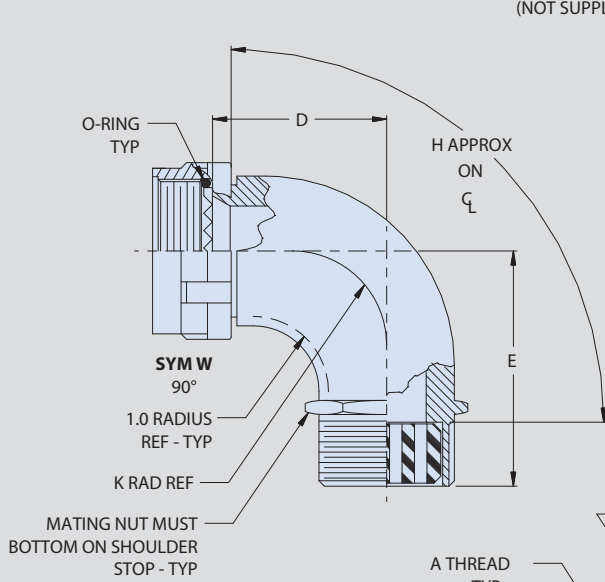
SYM K - PEEK TUBING ADAPTER WITH NUT
SYM TN - PLASTIC TUBING ADAPTER WITH NUT



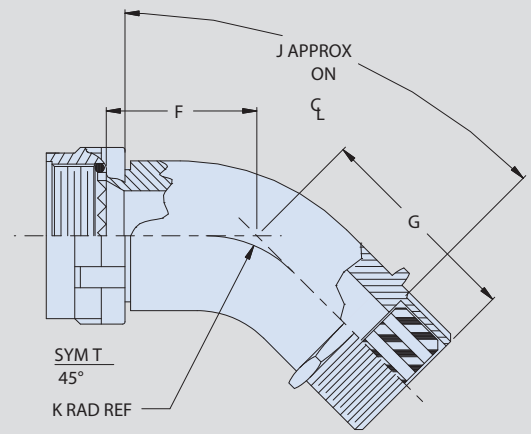
SYM G
GLAND NUT



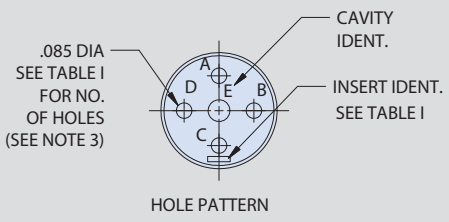
SYM T - TUBING ADAPTER



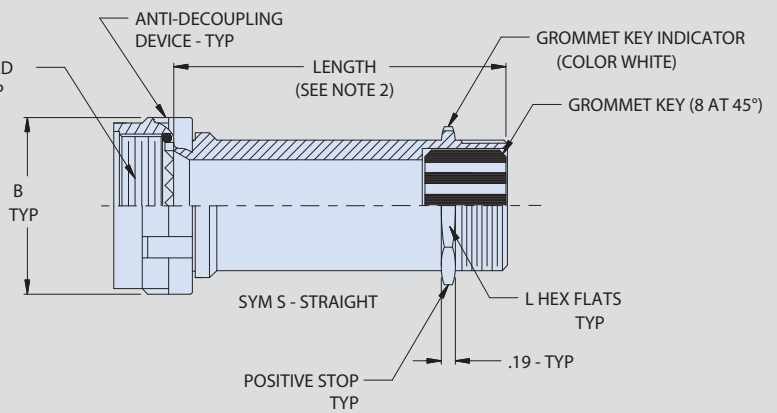
SYM W
90°



SYM T
45°



HOLE PATTERN



SYM S - STRAIGHT



Series 806

Mil-Aero Connectors

337V*014 Fiber Optic Composite Fiber-Con™ Connector Backshells

Dimensions																
SHELL SIZE	A THD ISO METRIC	B MAX	STD CONDUIT SIZE REF.	D MAX	E	F MAX	G MAX	H APPROX	J APPROX REF	K	L FLATS	M REF	N MAX	P REF	NO. OF HOLES	MAX ALT STD ENTRY
11-10	M15 X 1 - 6H	1.00 (25.40)	3/8	1.78 (45.21)	1.93 (49.02)	1.33 (33.78)	1.56 (39.62)	2.23 (56.64)	2.09 (53.09)	1.20 (30.48)	0.938 (23.83)	0.32 (8.13)	1.38 (35.05)	0.53 (13.46)	10	08
16-31	M22 X 1 - 6H	1.25 (31.75)	1/2	1.90 (48.26)	2.08 (52.83)	1.45 (36.83)	1.68 (42.67)	2.45 (62.23)	2.33 (59.18)	1.32 (33.53)	0.938 (23.83)	0.54 (13.72)	1.38 (35.05)	0.53 (13.46)	31	08
18-41	M25 X 1 - 6H	1.38 (35.05)	5/8	1.97 (50.04)	2.14 (54.36)	1.51 (38.35)	1.74 (44.20)	2.47 (62.74)	2.44 (61.98)	1.38 (35.05)	1.250 (31.75)	0.76 (19.30)	1.56 (39.62)	0.77 (19.56)	41	11
20-55	M28 X 1 - 6H	1.50 (38.10)	3/4	2.11 (53.59)	2.18 (55.37)	1.54 (39.12)	1.77 (44.96)	2.54 (64.52)	2.50 (63.50)	1.43 (36.32)	1.250 (31.75)	0.76 (19.30)	1.56 (39.62)	0.77 (19.56)	55	11
22-69	M31 X 1 - 6H	1.62 (41.15)	7/8	2.07 (52.58)	2.25 (57.15)	1.61 (40.89)	1.84 (46.74)	2.64 (67.06)	2.64 (67.06)	1.49 (37.85)	1.500 (38.10)	1.00 (25.40)	1.81 (45.97)	1.00 (25.40)	69	15
24-92	M34 X 1 - 6H	1.75 (44.45)	1	2.14 (54.36)	2.31 (58.67)	1.67 (42.42)	1.89 (48.01)	2.76 (70.10)	2.75 (69.85)	1.55 (39.37)	1.500 (38.10)	1.00 (25.40)	1.81 (45.97)	1.00 (25.40)	92	15

Table II				
Entry Size	C Ref Sym T & TN	C Ref Sym K	Optional Conduit Size Ref.	M Ref Std
03	0.188 (4.78)	0.188 (4.78)	9/32	0.19 (4.83)
04	0.236 (5.99)	-	5/16	0.25 (6.35)
05	0.250 (6.35)	0.265 (6.73)	3/8	0.32 (8.13)
06	0.338 (8.59)	0.330 (8.38)	7/16	0.38 (9.65)
07	0.398 (10.11)	0.390 (9.91)	1/2	0.44 (11.18)
08	0.523 (13.28)	0.515 (13.08)	5/8	0.54 (13.72)
10	0.648 (16.46)	0.640 (16.26)	3/4	0.63 (16.00)
11	0.648 (16.46)	0.640 (16.26)	3/4	0.76 (19.30)
13	0.778 (19.76)	0.765 (19.43)	7/8	0.88 (22.35)
15	0.875 (22.23)	0.890 (22.61)	1	1.00 (25.40)
17	1.078 (27.38)	1.125 (28.58)	1 1/4	1.13 (28.70)



HIGH-RELIABILITY Glass-sealed Hermetic Connectors

Resolve gas, moisture and particle ingress problems with advanced-performance glass-sealed hermetic connectors

Helium Leak Testing

All Series 806 hermetic connectors are 100% tested prior to shipment. A helium leak test is performed to certify the hermetic seal. This test is conducted by inducing 1 ATM of vacuum on one side of the connector. Helium gas is released on the other side, and a mass spectrometer “counts” the number of helium molecules that penetrate the connector seal. Helium leak testing takes advantage of the small size of a helium molecule compared to air or water vapor. Helium is inert, rare in our atmosphere, and is easy to detect with a mass spectrometer. Series 806 hermetic connectors are designed specifically for commercial and military aircraft zones such as engine compartments. These areas are typically exposed to fuel, oil and changes in elevation. Such conditions present the need to protect sensitive electronic equipment from the effects of caustic chemicals and moisture ingress through standard environmental connectors where high pressure leads to sealing failure. Other aircraft locations such as the fuselage require hermetic connectors to maintain passenger cabin pressure while allowing for data transmission through separated compartments of the aircraft.



VITREOUS GLASS TECHNOLOGY ADVANTAGES

- Superior pressure resistance to 32,000+ PSI
- Higher resistance to extreme operating temperatures to 260°+ C
- Superior mechanical strength
- No material breakdown or aging over time
- Helium leak rate 1×10^{-7} cc/sec to 1×10^{-10}

Std cc/sec Approximate	Approximate Bubble Equivalent
1 x 10 ⁻¹	1 cc/10 sec
1 x 10 ⁻²	1 cc/100 sec
1 x 10 ⁻³	1 cc/hour
1 x 10 ⁻⁴	1 cc/3 hours
1 x 10 ⁻⁵	1 cc/24 hours
1 x 10 ⁻⁶	1 cc/2 weeks
1 x 10 ⁻⁷	3 cc/year
1 x 10 ⁻⁸	1 cc/3 year
1 x 10 ⁻⁹	1 cc/30 years
1 x 10 ⁻¹¹	1 cc/3000 years

HERMETIC, MICRO MINIATURE CIRCULAR

Series 806 Mil-Aero Connectors

806-025 Glass-to-Metal Hermetic Receptacles, Solder Cup/PC Tail



Features

- Glass-to-metal seal
- Non-removable solder cup or PC tail contacts
- High density #20HD and #22HD arrangements for reduced size and weight plus #16, #12, #8 standard and hybrid arrangements
- Aerospace-grade materials, construction

Specifications

- Operating temperature: -65°C to +200°C
- Leak Rate: 1E-7 cm³/s at 1 ATM pressure differential
- Dielectric withstanding voltage
#22HD contacts: 1300 VAC
#20HD contacts: 1800 VAC
#16 contacts: contact factory
#12 contacts: contact factory
#8 contacts: contact factory
- Shell-to-Shell Conductivity: 10 mV max.
- Mating durability: 500 cycles
- Mechanical shock: EIA-364-27, 300g.
- Vibration (sine): MIL-DTL-38999M, 60g.
- Vibration (random) EIA-364-28 Condition VI, Letter J, 43.92 Grms, +200°C
- High Impact shock: MIL-S-901 Grade A
- Indirect Lightning Strike: EIA-364-75 Type B Level 2 10kA Peak

Connector Construction

- Shell and jam-nut: 304L CRES
- Hermetic contacts: nickel-iron alloy, gold plated
- Socket contacts: copper alloy, gold plated
- Insulator, hermetic: vitreous glass
- Interfacial seal, peripheral seal, O-ring: fluorosilicone
- Insulator, socket: high grade rigid dielectric

Series 806 hermetic receptacles feature stainless steel shells and glass-to-metal seals. Rated for -65°C to +200°C temperature range. Micro miniature Series 806 connectors save size and weight compared to legacy aerospace-grade hermetic connectors. These high performance, parylene compatible connectors are suitable for pressurized bulkhead applications subject to vibration, moisture, and temperature extremes. Equipped with low-profile, non-threaded standoff. Available receptacle shell styles include square flange, jam-nut, solder mount, and weld mount.

How To Order							
SAMPLE PART NUMBER		806-025	-07	Z1	8-3	C	A
Product	806-025 = Hermetic Receptacle						
Mounting Type	02 = Box Mount 03 = Solder Mount 07 = Jam-nut Mount 13 = Weld Mount						
Shell Finish	Z1 = Passivated ZL = Nickel Plated						
Arrangement Number (Shell Size - Insert Arr.)	See Table 1						
Contact Type	C = Pin, PC Terminal D = Socket, PC Terminal		P = Pin, Solder Cup S = Socket, Solder Cup				
Polarization	A B C D						

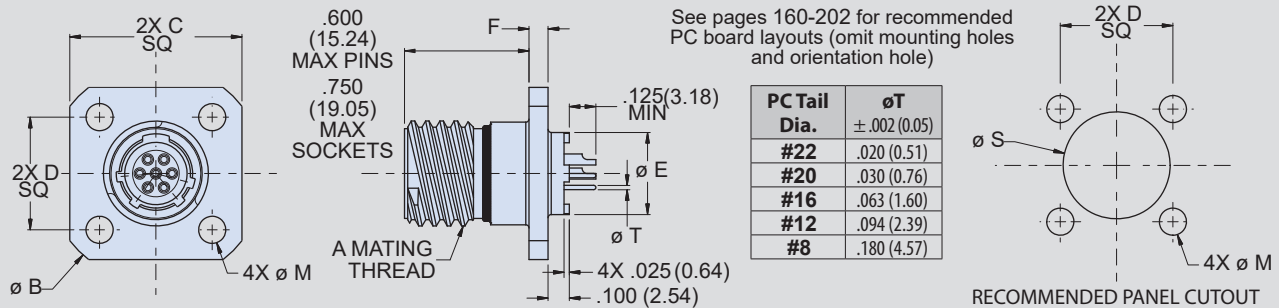
Table I: Shell Size - Insert Arrangement																	
Contact Layout	Number of Contacts					Contact Layout	Number of Contacts					Contact Layout	Number of Contacts				
	22HD	20HD	16	12	8		22HD	20HD	16	12	8		22HD	20HD	16	12	8
7-3	3					22-69		69			18-3					3	
8-4	4					24-92		92			20-4					4	
8-7	7					8-1		1			22-5					5	
9-11	11					10-2		2			24-8					8	
10-15	15					11-4		4			10-8A	6		2			
11-19	19					12-5		5			11-13	11		2			
12-26	26					14-7		7			12-27	26		1			
14-39	39					16-12		12			14-21	17		4			
16-60	60					18-15		15			16-41	37		4			
18-85	85					20-22		22			18-59	55		4			
20-110	110					22-24		24			11-14	13			1		
22-140	140					24-35		35			12-14	12			2		
24-186	186					9-1			1		14-22	20			2		
8-3		3				12-2			2		16-32	28			4		
9-5		5				14-3			3		16-42	40			2		
10-8		8				16-4			4		18-62	60			2		
11-10		10				16-7			7		14-20A	19				1	
12-15		15				18-8			8		16-22	20				2	
14-20		20				20-11			11		18-21	18				3	
16-31		31				22-13			13		20-28	24				4	
18-41		41				24-19			19		22-44	40				4	
20-55		55				10-1				1	24-97	93				4	
						16-2				2							

Series 806 Mil-Aero Connectors



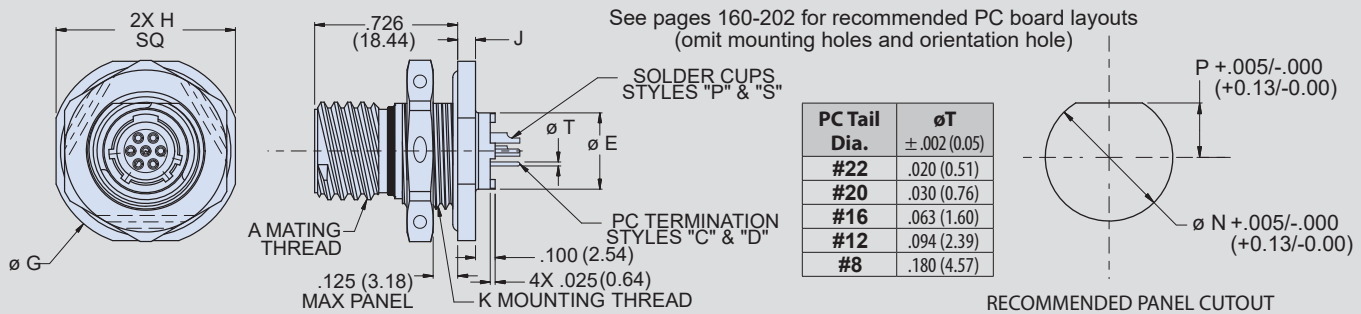
806-025 Glass-to-Metal Hermetic Receptacles, Solder Cup/PC Tail

806-025-02 Square Flange Receptacle Dimensions



Shell Size	A Mating Thread	øB Max. Flange	C Max Flange Flats	D SQ BSC Mntg Holes	øE ±0.010(0.25)	F Max Flange	øM Thru Mntg Holes	øS Thru
7	.4375-.067P-.2L-TS-2A	.968 (24.59)	.750 (19.05)	.469 (11.91)	.306 (7.77)	.100 (2.54)	.128 (3.25)	.445 (11.30)
8	.5000-.067P-.2L-TS-2A	1.040 (26.42)	.822 (20.88)	.531 (13.49)	.387 (9.83)	.100 (2.54)	.128 (3.25)	.509 (12.93)
9	.5625-.067P-.2L-TS-2A	1.130 (28.70)	.885 (22.48)	.594 (15.09)	.468 (11.89)	.100 (2.54)	.128 (3.25)	.577 (14.66)
10	.6250-.067P-.2L-TS-2A	1.174 (29.82)	.913 (23.19)	.625 (15.88)	.546 (13.87)	.100 (2.54)	.128 (3.25)	.645 (16.38)
11	.6875-.067P-.2L-TS-2A	1.240 (31.50)	.960 (24.38)	.670 (17.02)	.586 (14.88)	.100 (2.54)	.128 (3.25)	.712 (18.08)
12	.7500-.067P-.2L-TS-2A	1.354 (34.39)	1.040 (26.42)	.765 (19.43)	.663 (16.84)	.100 (2.54)	.128 (3.25)	.768 (19.51)
14	.8750-.067P-.2L-TS-2A	1.510 (38.35)	1.133 (28.78)	.859 (21.82)	.743 (18.87)	.100 (2.54)	.128 (3.25)	.890 (22.61)
16	1.0000-.067P-.2L-TS-2A	1.620 (41.15)	1.227 (31.17)	.938 (23.83)	.842 (21.39)	.100 (2.54)	.128 (3.25)	1.015 (25.78)
18	1.1250-.067P-.2L-TS-2A	1.784 (45.31)	1.320 (33.53)	1.016 (25.81)	.959 (24.36)	.100 (2.54)	.128 (3.25)	1.125 (28.58)
20	1.2500-.067P-.2L-TS-2A	1.910 (48.51)	1.444 (36.68)	1.109 (28.17)	1.105 (28.07)	.125 (3.18)	.154 (3.91)	1.275 (32.39)
22	1.3750-.067P-.2L-TS-2A	2.083 (52.91)	1.570 (39.88)	1.203 (30.56)	1.215 (30.86)	.125 (3.18)	.154 (3.91)	1.400 (35.56)
24	1.5000-.067P-.2L-TS-2A	2.200 (55.88)	1.696 (43.08)	1.312 (33.32)	1.335 (33.91)	.125 (3.18)	.154 (3.91)	1.525 (38.73)

806-025-07 Jam-nut Receptacle Dimensions



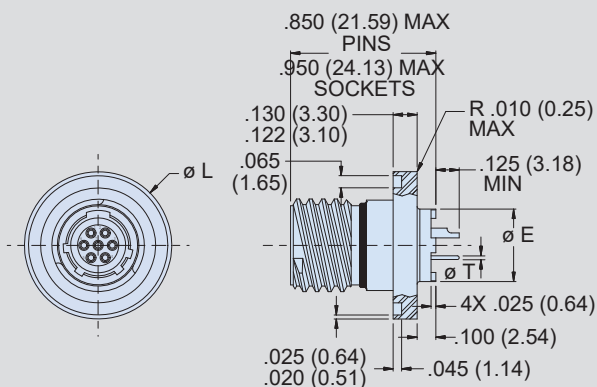
Shell Size	A Mating Thread	øE Mntg Boss	G Max Flange	H Max Flange Flats	J Max Flange	K Thread Mounting	øN Mntg Hole	P Mntg Flat
7	.4375-.067P-.2L-TS-2A	.306 (7.77)	.848 (21.54)	.908 (23.06)	.100 (2.54)	M13x1.0-6g-0.100R	.522 (13.26)	.224 (5.69)
8	.5000-.067P-.2L-TS-2A	.387 (9.83)	.980 (24.89)	.920 (23.37)	.100 (2.54)	M15x1.0-6g-0.100R	.601 (15.27)	.256 (6.50)
9	.5625-.067P-.2L-TS-2A	.468 (11.89)	1.040 (26.42)	.980 (24.89)	.100 (2.54)	M16x1.0-6g-0.100R	.640 (16.26)	.287 (7.29)
10	.6250-.067P-.2L-TS-2A	.546 (13.87)	1.110 (28.19)	1.050 (26.67)	.100 (2.54)	M18x1.0-6g-0.100R	.719 (18.26)	.318 (8.08)
11	.6875-.067P-.2L-TS-2A	.586 (14.88)	1.160 (29.46)	1.110 (28.19)	.100 (2.54)	M19x1.0-6g-0.100R	.759 (19.28)	.350 (8.89)
12	.7500-.067P-.2L-TS-2A	.663 (16.84)	1.230 (31.24)	1.170 (29.72)	.100 (2.54)	M21x1.0-6g-0.100R	.837 (21.26)	.381 (9.68)
14	.8750-.067P-.2L-TS-2A	.743 (18.87)	1.360 (34.54)	1.320 (33.53)	.100 (2.54)	M24x1.0-6g-0.100R	.955 (24.26)	.443 (11.25)
16	1.0000-.067P-.2L-TS-2A	.842 (21.39)	1.515 (38.48)	1.444 (36.68)	.100 (2.54)	M27x1.0-6g-0.100R	1.073 (27.25)	.505 (12.83)
18	1.1250-.067P-.2L-TS-2A	.959 (24.36)	1.610 (40.89)	1.570 (39.88)	.100 (2.54)	M30x1.0-6g-0.100R	1.192 (30.28)	.568 (14.43)
20	1.2500-.067P-.2L-TS-2A	1.105 (28.07)	1.850 (46.99)	1.760 (44.70)	.128 (3.25)	M34x1.0-6g-0.100R	1.349 (34.26)	.630 (16.00)
22	1.3750-.067P-.2L-TS-2A	1.215 (30.86)	2.010 (51.05)	1.913 (48.59)	.128 (3.25)	M37x1.0-6g-0.100R	1.467 (37.26)	.693 (17.60)
24	1.5000-.067P-.2L-TS-2A	1.335 (33.91)	2.195 (55.75)	2.070 (52.58)	.128 (3.25)	M41x1.0-6g-0.100R	1.624 (41.25)	.755 (19.18)

Series 806 Mil-Aero Connectors



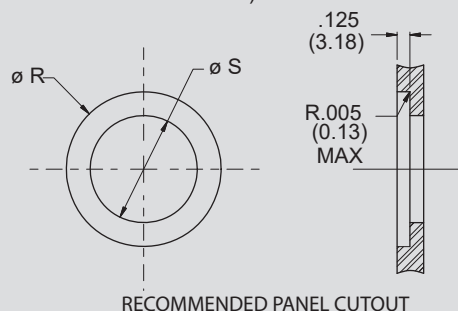
806-025 Glass-to-Metal Hermetic Receptacles, Solder Cup/PC Tail

806-025-13 Weld Mount Receptacle Dimensions



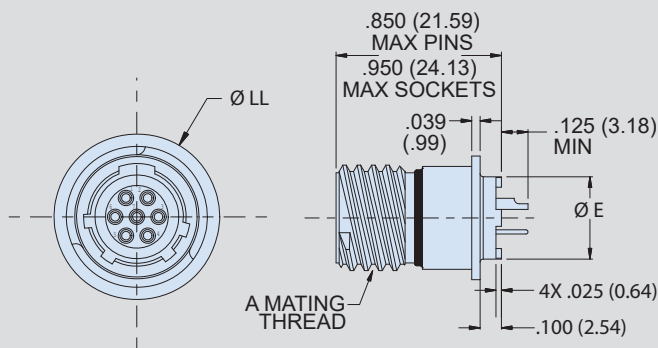
See pages 160-202 for recommended PC board layouts (omit mounting holes and orientation hole)

PC Tail Dia.	ØT
#22	.020 (0.51)
#20	.030 (0.76)
#16	.063 (1.60)
#12	.094 (2.39)
#8	.180 (4.57)



Shell Size	A Mating Thread	Ø E ±.010 Mounting Boss	L ± .002 (0.05)	Ø R ± .002 (0.05)	Ø S ±.005
7	.4375-.067P-.2L-TS-2A	.306 (7.77)	.725 (18.42)	.730 (18.54)	.445 (11.30)
8	.5000-.067P-.2L-TS-2A	.387 (9.83)	.788 (20.02)	.793 (20.14)	.509 (12.93)
9	.5625-.067P-.2L-TS-2A	.468 (11.89)	.912 (23.16)	.917 (23.29)	.577 (14.66)
10	.6250-.067P-.2L-TS-2A	.546 (13.87)	.975 (24.76)	.980 (24.89)	.645 (16.38)
11	.6875-.067P-.2L-TS-2A	.586 (14.88)	1.038 (26.37)	1.043 (26.49)	.712 (18.08)
12	.7500-.067P-.2L-TS-2A	.663 (16.84)	1.100 (27.94)	1.105 (28.07)	.768 (19.51)
14	.8750-.067P-.2L-TS-2A	.743 (18.87)	1.225 (31.12)	1.230 (31.24)	.890 (22.61)
16	1.0000-.067P-.2L-TS-2A	.842 (21.39)	1.350 (34.29)	1.355 (34.42)	1.015 (25.78)
18	1.1250-.067P-.2L-TS-2A	.959 (24.36)	1.475 (37.47)	1.480 (37.59)	1.125 (28.58)
20	1.2500-.067P-.2L-TS-2A	1.105 (28.07)	1.600 (40.64)	1.605 (40.77)	1.275 (32.39)
22	1.3750-.067P-.2L-TS-2A	1.215 (30.86)	1.725 (43.82)	1.730 (43.94)	1.400 (35.56)
24	1.5000-.067P-.2L-TS-2A	1.335 (33.91)	1.850 (46.99)	1.855 (47.12)	1.525 (38.73)

806-025-03 Solder Mount Receptacle Dimensions



See pages 160-202 for recommended PC board layouts (omit mounting holes and orientation hole)

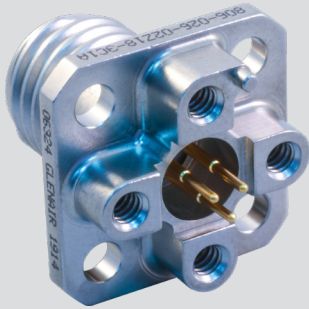
PC Tail Dia.	ØT
#22	.020 (0.51)
#20	.030 (0.76)
#16	.063 (1.60)
#12	.094 (2.39)
#8	.180 (4.57)

Shell Size	A Mating Thread	Ø E ±.010 Mounting Boss	Ø LL Flange
7	.4375-.067P-.2L-TS-2A	.306 (7.77)	.520 (13.21)
8	.5000-.067P-.2L-TS-2A	.387 (9.83)	.581 (14.76)
9	.5625-.067P-.2L-TS-2A	.468 (11.89)	.649 (16.48)
10	.6250-.067P-.2L-TS-2A	.546 (13.87)	.717 (18.21)
11	.6875-.067P-.2L-TS-2A	.586 (14.88)	.784 (19.91)
12	.7500-.067P-.2L-TS-2A	.663 (16.84)	.841 (21.36)
14	.8750-.067P-.2L-TS-2A	.743 (18.87)	.962 (24.43)
16	1.0000-.067P-.2L-TS-2A	.842 (21.39)	1.087 (27.61)
18	1.1250-.067P-.2L-TS-2A	.959 (24.36)	1.197 (30.40)
20	1.2500-.067P-.2L-TS-2A	1.105 (28.07)	1.347 (34.21)
22	1.3750-.067P-.2L-TS-2A	1.215 (30.86)	1.472 (37.39)
24	1.5000-.067P-.2L-TS-2A	1.335 (33.91)	1.597 (40.56)

Series 806 Mil-Aero Connectors



806-026 Hermetic PC Tail Receptacle with Threaded Standoff



Series 806 hermetic receptacles feature stainless steel shells and glass-to-metal seals. Rated for -65°C to +200°C temperature range. Micro miniature Series 806 connectors save size and weight compared to legacy aerospace-grade circular hermetic connectors. These high performance, parylene compatible connectors are suitable for use on pressurized bulkheads and vacuum chamber applications subject to vibration, moisture, and temperature extremes. Equipped with low-profile, threaded standoff with gold-plated PC tail contacts.

Features

- Glass-to-metal seal
- Non-removable PC tail contacts
- Threaded holes for attaching to printed circuit boards
- High density #20HD and #22HD arrangements for reduced size and weight plus size #16, 12, and #8 standard and hybrid layouts
- Aerospace-grade materials, construction

Specifications

- Operating temperature: -65°C to +200°C
- Leak Rate: 1E-7 cm³/s at 1 ATM pressure differential
- Dielectric withstanding voltage
#22HD contacts: 1300 VAC
#20HD contacts: 1800 VAC
#16 contacts: contact factory
#12 contacts: contact factory
#8 contacts: contact factory
- Shell-to-Shell Conductivity: 10 mV max.
- Mating durability: 500 cycles
- Mechanical shock: EIA-364-27, 300g.
- Vibration (sine): MIL-DTL-38999M, 60g.
- Vibration (random) EIA-364-28 Condition VI, Letter J, 43.92 Grms, +200°C
- High Impact shock: MIL-S-901 Grade A
- Indirect Lightning Strike: EIA-364-75 Type B Level 2 10kA Peak

Connector Construction

- Shell and jam-nut: 316L CRES
- Hermetic contacts: nickel-iron alloy, gold plated
- Socket contacts: copper alloy, gold plated
- Insulator, hermetic: vitreous glass
- Interfacial seal, peripheral seal, O-ring: fluorosilicone
- Insulator, socket: high grade rigid dielectric

How To Order	
SAMPLE PART NUMBER	806-026
Product	806-026 = Hermetic Receptacle, PC Tails, Threaded Standoff
Mounting Type	02 = Square Flange 07 = Jam-nut
Shell Finish	Z1 = Passivated ZL = Nickel Plated
Shell Size - Insert Arr.	See Table 1
Contact Type	C = Pin, PC Terminal D = Socket, PC Terminal
PC Tail Length	1 = .125" (3.18 mm.) 2 = .250" (6.35 mm.)
Polarizing Position	A B C D E F; (See Page 7)

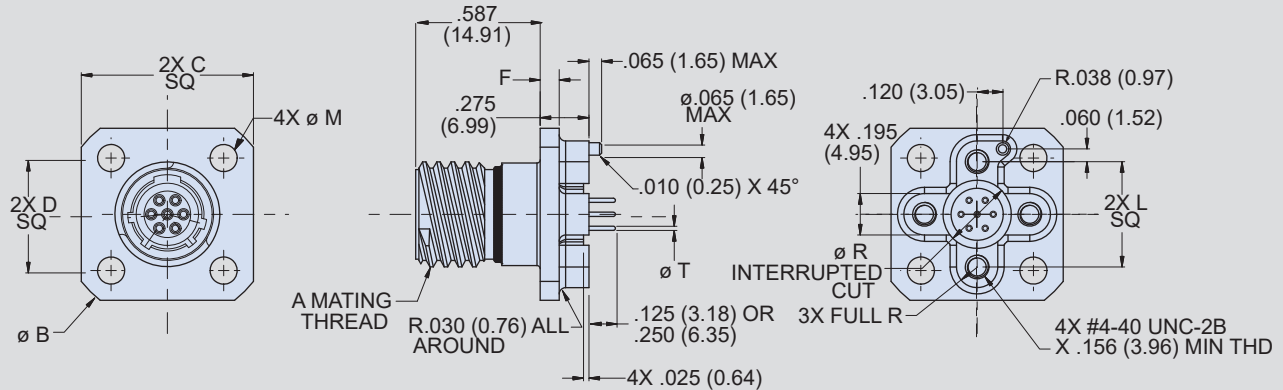
Table I: Shell Size - Insert Arrangement																	
Contact Layout	Number of Contacts					Contact Layout	Number of Contacts					Contact Layout	Number of Contacts				
	22HD	20HD	16	12	8		22HD	20HD	16	12	8		22HD	20HD	16	12	8
7-3	3					22-69	69				18-3				3		
8-4	4					24-92	92				20-4				4		
8-7	7					8-1		1			22-5				5		
9-11	11					10-2		2			24-8				8		
10-15	15					11-4		4			10-8A	6		2			
11-19	19					12-5		5			11-13	11		2			
12-26	26					14-7		7			12-27	26		1			
14-39	39					16-12		12			14-21	17		4			
16-60	60					18-15		15			16-41	37		4			
18-85	85					20-22		22			18-59	55		4			
20-110	110					22-24		24			11-14	13			1		
22-140	140					24-35		35			12-14	12			2		
24-186	186					9-1			1		14-22	20			2		
8-3		3				12-2			2		16-32	28			4		
9-5		5				14-3			3		16-42	40			2		
10-8		8				16-4			4		18-62	60			2		
11-10		10				16-7			7		14-20A	19			1		
12-15		15				18-8			8		16-22	20			2		
14-20		20				20-11			11		18-21	18			3		
16-31		31				22-13			13		20-28	24			4		
18-41		41				24-19			19		22-44	40			4		
20-55		55				10-1				1	24-97	93			4		
						16-2				2							

Series 806 Mil-Aero Connectors

806-026 Hermetic Receptacles, PC Tails, Threaded Standoff

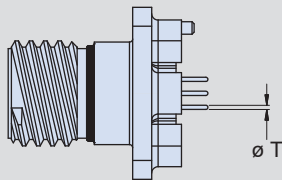


806-026-02 Square Flange Receptacle Dimensions



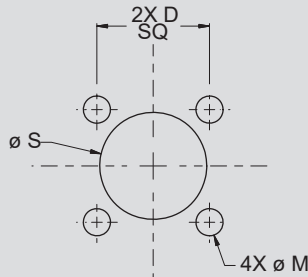
Shell Size	A Mating Thread	ØB Max. Flange	C Max Flange Flts	D SQ BSC Mntg Holes	F Max Flange	L Board Mntg	Ø M Thru Mntg Holes	Ø R ± .015 (.38)	Ø S Thru
7	.4375-.067P-.2L-TS-2A	.968 (24.59)	.750 (19.05)	.469 (11.91)	.100 (2.54)	.489 (12.42)	.128 (3.25)	.259 (6.58)	.450 (11.43)
8	.5000-.067P-.2L-TS-2A	1.040 (26.42)	.822 (20.88)	.531 (13.49)	.100 (2.54)	.534 (13.56)	.128 (3.25)	.325 (8.25)	.509 (12.93)
9	.5625-.067P-.2L-TS-2A	1.130 (28.70)	.885 (22.48)	.594 (15.09)	.100 (2.54)	.579 (14.71)	.128 (3.25)	.405 (10.29)	.577 (14.66)
10	.6250-.067P-.2L-TS-2A	1.174 (29.82)	.913 (23.19)	.625 (15.88)	.100 (2.54)	.679 (17.25)	.128 (3.25)	.465 (11.81)	.645 (16.38)
11	.6875-.067P-.2L-TS-2A	1.240 (31.50)	.960 (24.38)	.670 (17.02)	.100 (2.54)	.734 (18.64)	.128 (3.25)	.525 (13.34)	.712 (18.08)
12	.7500-.067P-.2L-TS-2A	1.354 (34.39)	1.040 (26.42)	.765 (19.43)	.100 (2.54)	.804 (20.42)	.128 (3.25)	.595 (15.11)	.768 (19.51)
14	.8750-.067P-.2L-TS-2A	1.510 (38.35)	1.133 (28.78)	.859 (21.82)	.100 (2.54)	.891 (22.63)	.128 (3.25)	.650 (16.51)	.890 (22.61)
16	1.0000-.067P-.2L-TS-2A	1.620 (41.15)	1.242 (31.55)	.938 (23.83)	.100 (2.54)	1.049 (26.64)	.128 (3.25)	.795 (20.19)	1.015 (25.78)
18	1.1250-.067P-.2L-TS-2A	1.784 (45.31)	1.343 (34.11)	1.016 (25.81)	.100 (2.54)	1.148 (29.16)	.128 (3.25)	.920 (23.37)	1.125 (28.58)
20	1.2500-.067P-.2L-TS-2A	1.910 (48.51)	1.444 (36.68)	1.109 (28.17)	.125 (3.18)	1.252 (31.80)	.154 (3.91)	1.030 (26.16)	1.275 (32.39)
22	1.3750-.067P-.2L-TS-2A	2.083 (52.91)	1.570 (39.88)	1.203 (30.56)	.125 (3.18)	1.369 (34.77)	.154 (3.91)	1.130 (28.70)	1.400 (35.56)
24	1.5000-.067P-.2L-TS-2A	2.200 (55.88)	1.696 (43.08)	1.312 (33.32)	.125 (3.18)	1.509 (38.33)	.154 (3.91)	1.275 (32.39)	1.525 (38.73)

PC Tail Dimensions



Contact Size	ØT ± .002 (0.05)
#22	.020 (0.51)
#20	.030 (0.76)
#16	.063 (1.60)
#12	.094 (2.39)
#8	.180 (4.57)

Recommended Panel Cutout

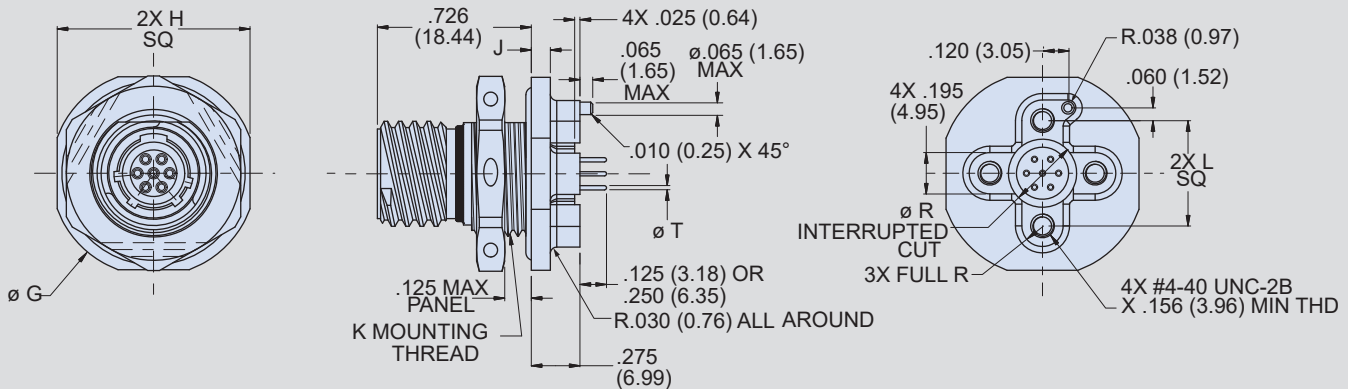


Series 806 Mil-Aero Connectors



806-026 Hermetic Receptacles, PC Tails, Threaded Standoff

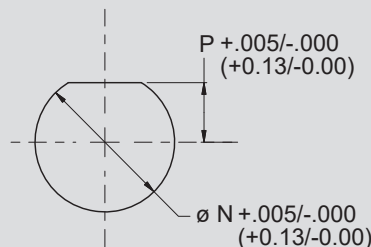
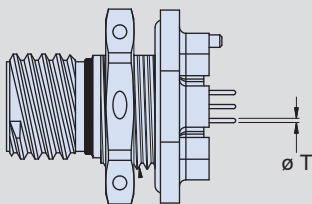
806-026-07 Jam-nut Receptacle Dimensions



Shell Size	A Mating Thread	G Max Flange	H Max Flange Flats	J Max Flange	K Thread Mntg	L Board Mntg	ϕN Mntg Hole	P +.005/.000 (0.13/0.00) Mntng Flat	$\phi R \pm .015$ (0.38)
7	.4375-.067P-.2L-TS-2A	.848 (21.54)	.908 (23.06)	.100 (2.54)	M13x1.0-6g-0.100R	.489 (12.42)	.522 (13.26)	.224 (5.69)	.259 (6.58)
8	.5000-.067P-.2L-TS-2A	.980 (24.89)	.920 (23.37)	.100 (2.54)	M15x1.0-6g-0.100R	.534 (13.56)	.601 (15.27)	.256 (6.50)	.325 (8.25)
9	.5625-.067P-.2L-TS-2A	1.040 (26.42)	.980 (24.89)	.100 (2.54)	M16x1.0-6g-0.100R	.579 (14.71)	.640 (16.26)	.287 (7.29)	.405 (10.29)
10	.6250-.067P-.2L-TS-2A	1.110 (28.19)	1.050 (26.67)	.100 (2.54)	M18x1.0-6g-0.100R	.679 (17.25)	.719 (18.26)	.318 (8.08)	.465 (11.81)
11	.6875-.067P-.2L-TS-2A	1.160 (29.46)	1.110 (28.19)	.100 (2.54)	M19x1.0-6g-0.100R	.734 (18.64)	.759 (19.28)	.350 (8.89)	.525 (13.34)
12	.7500-.067P-.2L-TS-2A	1.230 (31.24)	1.170 (29.72)	.100 (2.54)	M21x1.0-6g-0.100R	.804 (20.42)	.837 (21.26)	.381 (9.68)	.595 (15.11)
14	.8750-.067P-.2L-TS-2A	1.360 (34.54)	1.320 (33.53)	.100 (2.54)	M24x1.0-6g-0.100R	.891 (22.63)	.955 (24.26)	.443 (11.25)	.650 (16.51)
16	1.0000-.067P-.2L-TS-2A	1.515 (38.48)	1.444 (36.68)	.100 (2.54)	M27x1.0-6g-0.100R	1.049 (26.64)	1.073 (27.25)	.505 (12.83)	.795 (20.19)
18	1.1250-.067P-.2L-TS-2A	1.610 (40.89)	1.570 (39.88)	.100 (2.54)	M30x1.0-6g-0.100R	1.148 (29.16)	1.192 (30.28)	.568 (14.43)	.920 (23.37)
20	1.2500-.067P-.2L-TS-2A	1.850 (46.99)	1.760 (44.70)	.128 (3.25)	M34x1.0-6g-0.100R	1.252 (31.80)	1.349 (34.26)	.630 (16.00)	1.030 (26.16)
22	1.3750-.067P-.2L-TS-2A	2.010 (51.05)	1.913 (48.59)	.128 (3.25)	M37x1.0-6g-0.100R	1.369 (34.77)	1.467 (37.26)	.693 (17.60)	1.130 (28.70)
24	1.5000-.067P-.2L-TS-2A	2.195 (55.75)	2.070 (52.58)	.128 (3.25)	M41x1.0-6g-0.100R	1.509 (38.33)	1.624 (41.25)	.755 (19.18)	1.275 (32.39)

PC Tail Diameters

Recommended Panel Cutout

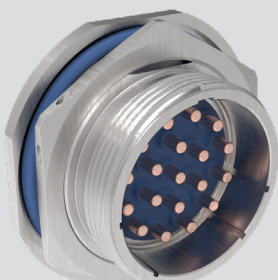


Contact Size	$\phi T \pm .002$ (0.05) In.
#22	.020 (0.51)
#20	.030 (0.76)
#16	.063 (1.60)
#12	.094 (2.39)
#8	.180 (4.57)

HERMETIC, MICRO MINIATURE CIRCULAR

Series 806 Mil-Aero Connectors

806-087 Crimp Removable Hermetic Receptacle



Series 806 hermetic receptacles feature stainless steel shells and glass-to-metal seals. Rated for -65°C to +200°C temperature range. Micro miniature Series 806 connectors save size and weight compared to legacy aerospace-grade hermetic connectors. These high performance, parylene compatible connectors are suitable for pressurized bulkhead applications subject to vibration, moisture, and temperature extremes. The 806-087 receptacles are equipped with a crimp-removable termination system for vastly improved ease of use.

Material/Finish

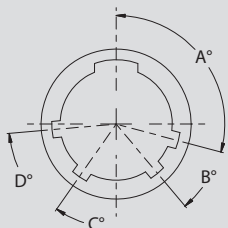
- Shell & jam-nut: 304L CRES/PER P/N DEV
- Contacts, hermetic: Nickel-iron alloy/gold plate
- Contacts, sockets: Copper alloy/gold plate
- Hoods, sockets: 305 CRES/passivate
- Insulator, hermetic: Vitreous glass
- Insulator, socket: High grade dielectric
- Seals & O-rings: Fluorosilicone

Test Criteria

- Leak rate: 1×10^{-7} ccHe/sec @ 1 ATM. delta pressure
- DWV: Per Table II
- I.R.: 5000 MEGOHMS min @ 500 VDC

How To Order ThermoRex Series 806 Mil-Aero Jam-nut Receptacle								
SAMPLE PART NUMBER		806-087	-07	Z1	8-7	P	-B	A
Series / Basic Part No.	806-087 Crimp Removable Hermetic Receptacle							
Mounting Type	02 = Box Mount 03 = Solder Mount 07 = Jam-Nut Mount 13 = Weld Mount							
Finish	Z1 = Passivated ZL = Nickel Plated							
Shell Size - Insert Arr.	See Table I							
Contact Type	P = Pin S = Socket							
Rear Attachment Style	B = Banding Porch T = Accessory Threads							
Polarization	A, B, C, D							

Polarization Key Code



POS	A°	B°	C°	D°
A	105°	140°	215°	265°
B	102°	170°	248°	305°
C	80°	150°	230°	295°
D	68°	140°	205°	275°
E	64°	155°	234°	304°
F	72°	120°	200°	298°

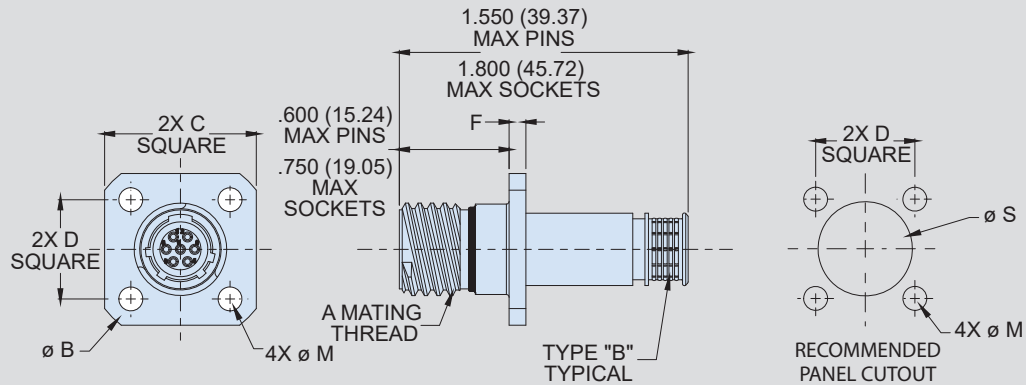
Table II: DWV Voltage

Cont. Size	Volts RMS
22	1300
20	1800
16	1800
12	1800
8	1000

Table I: Shell Size - Insert Arrangement

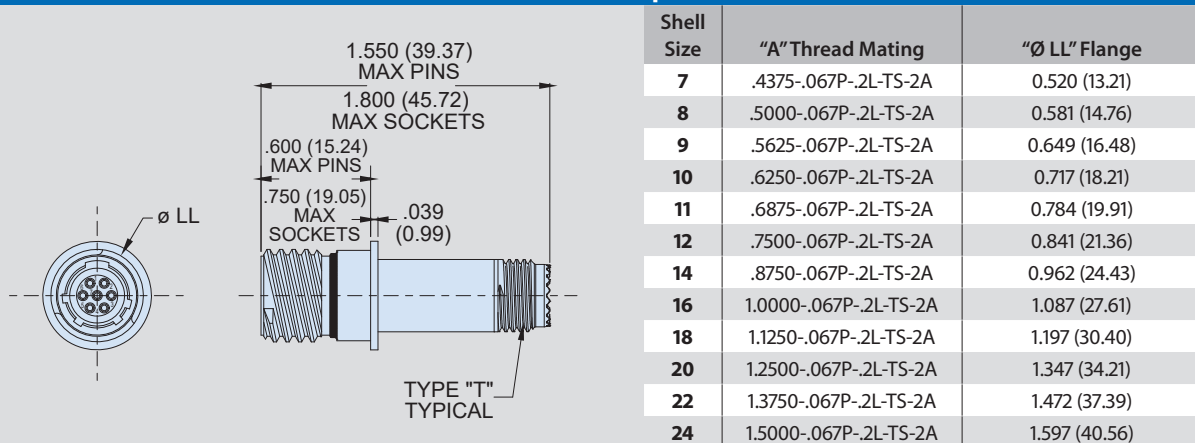
Contact Layout	Number of Contacts					Contact Layout	Number of Contacts					Contact Layout	Number of Contacts				
	22HD	20HD	16	12	8		22HD	20HD	16	12	8		22HD	20HD	16	12	8
7-3	3					22-69	69				18-3				3		
8-4	4					24-92	92				20-4				4		
8-7	7					8-1		1			22-5				5		
9-11	11					10-2		2			24-8				8		
10-15	15					11-4		4			10-8A	6		2			
11-19	19					12-5		5			11-13	11		2			
12-26	26					14-7		7			12-27	26		1			
14-39	39					16-12		12			14-21	17		4			
16-60	60					18-15		15			16-41	37		4			
18-85	85					20-22		22			18-59	55		4			
20-110	110					22-24		24			11-14	13			1		
22-140	140					24-35		35			12-14	12			2		
24-186	186					9-1			1		14-22	20			2		
8-3		3				12-2			2		16-32	28			4		
9-5		5				14-3			3		16-42	40			2		
10-8		8				16-4			4		18-62	60			2		
11-10		10				16-7			7		14-20A	19			1		
12-15		15				18-8			8		16-22	20			2		
14-20		20				20-11			11		18-21	18			3		
16-31		31				22-13			13		20-28	24			4		
18-41		41				24-19			19		22-44	40			4		
20-55		55				10-1				1	24-97	93			4		
						16-2				2							

806-087-02 Box Mount Receptacle Dimensions



Shell Size	"A" Thread Mating	"Ø B" Max Flange	"C" Square Max Flange Flats	"D" Square BSC Mounting Holes	"F" Max Flange	"Ø M" Thru MTG Holes	"Ø S" Thru
7	.4375-.067P-.2L-TS-2A	0.968 (24.59)	0.750 (19.05)	0.469 (11.91)	0.100 (2.54)	0.128 (3.25)	0.445 (11.30)
8	.5000-.067P-.2L-TS-2A	1.040 (26.42)	0.822 (20.88)	0.531 (13.49)			0.509 (12.93)
9	.5625-.067P-.2L-TS-2A	1.130 (28.70)	0.885 (22.48)	0.594 (15.09)			0.577 (14.66)
10	.6250-.067P-.2L-TS-2A	1.174 (29.82)	0.913 (23.19)	0.625 (15.88)			0.645 (16.38)
11	.6875-.067P-.2L-TS-2A	1.240 (31.50)	0.960 (24.38)	0.670 (17.02)			0.712 (18.08)
12	.7500-.067P-.2L-TS-2A	1.354 (34.39)	1.040 (26.42)	0.765 (19.43)			0.768 (19.51)
14	.8750-.067P-.2L-TS-2A	1.510 (38.35)	1.133 (28.78)	0.859 (21.82)	0.100 (2.54)	0.128 (3.25)	0.890 (22.61)
16	1.0000-.067P-.2L-TS-2A	1.620 (41.15)	1.227 (31.17)	0.938 (23.83)			1.015 (25.78)
18	1.1250-.067P-.2L-TS-2A	1.784 (45.31)	1.320 (33.53)	1.016 (25.81)	0.125 (3.18)	0.154 (3.91)	1.125 (28.58)
20	1.2500-.067P-.2L-TS-2A	1.910 (48.51)	1.444 (36.68)	1.109 (28.17)			1.275 (32.39)
22	1.3750-.067P-.2L-TS-2A	2.083 (52.91)	1.570 (39.88)	1.203 (30.56)			1.400 (35.56)
24	1.5000-.067P-.2L-TS-2A	2.200 (55.88)	1.696 (43.08)	1.312 (33.32)			1.525 (38.73)

806-087-03 Solder Mount Receptacle Dimensions



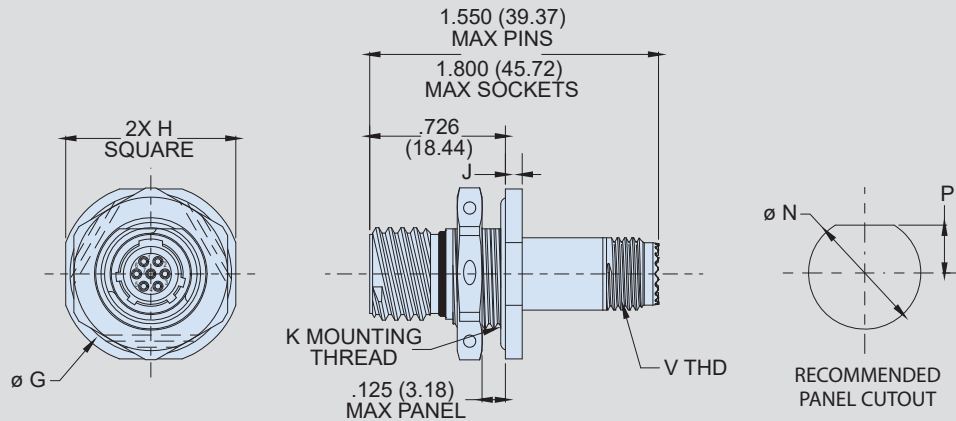
Shell Size	"A" Thread Mating	"Ø LL" Flange
7	.4375-.067P-.2L-TS-2A	0.520 (13.21)
8	.5000-.067P-.2L-TS-2A	0.581 (14.76)
9	.5625-.067P-.2L-TS-2A	0.649 (16.48)
10	.6250-.067P-.2L-TS-2A	0.717 (18.21)
11	.6875-.067P-.2L-TS-2A	0.784 (19.91)
12	.7500-.067P-.2L-TS-2A	0.841 (21.36)
14	.8750-.067P-.2L-TS-2A	0.962 (24.43)
16	1.0000-.067P-.2L-TS-2A	1.087 (27.61)
18	1.1250-.067P-.2L-TS-2A	1.197 (30.40)
20	1.2500-.067P-.2L-TS-2A	1.347 (34.21)
22	1.3750-.067P-.2L-TS-2A	1.472 (37.39)
24	1.5000-.067P-.2L-TS-2A	1.597 (40.56)

Series 806 Mil-Aero Connectors

806-087 Crimp Removable Hermetic Receptacle

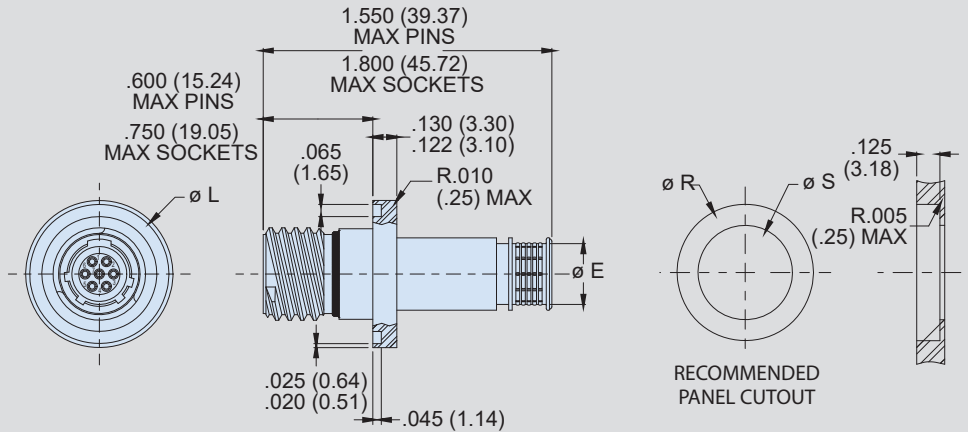


806-087-07 Jam-Nut Mount Receptacle Dimensions



Shell Size	"A" Thread Mating	"ø G" Max Flange	"H" Square Max Flange Flats	"J" Max Flange	"K" Thread Mounting	"ø N" +.005/-0.000 Mounting Hole	"P" +.005/-0.000 Mounting Flat	"V" Rear Accessory Thread
7	.4375-.067P-2L-TS-2A	0.848 (21.54)	0.908 (23.06)	0.100 (2.54)	M13 X 1-6g .100R	0.522 (13.26)	0.224 (5.69)	M8 X 1 6g .100R
8	.5000-.067P-2L-TS-2A	0.980 (24.89)	0.920 (23.37)		M15 X 1-6g .100R	0.601 (15.27)	0.256 (6.50)	M10 X 1 6g .100R
9	.5625-.067P-2L-TS-2A	1.040 (26.42)	0.980 (24.89)		M16 X 1-6g .100R	0.640 (16.26)	0.287 (7.29)	M12 X 1 6g .100R
10	.6250-.067P-2L-TS-2A	1.110 (28.19)	1.050 (26.67)		M18 X 1-6g .100R	0.719 (18.26)	0.318 (8.08)	M14 X 1 6g .100R
11	.6875-.067P-2L-TS-2A	1.160 (29.46)	1.110 (28.19)		M19 X 1-6g .100R	0.759 (19.28)	0.350 (8.89)	M15 X 1 6g .100R
12	.7500-.067P-2L-TS-2A	1.230 (31.24)	1.170 (29.72)		M21 X 1-6g .100R	0.837 (21.26)	0.381 (9.68)	M17 X 1 6g .100R
14	.8750-.067P-2L-TS-2A	1.360 (34.54)	1.320 (33.53)		M24 X 1-6g .100R	0.955 (24.26)	0.443 (11.25)	M19 X 1 6g .100R
16	1.0000-.067P-2L-TS-2A	1.515 (38.48)	1.444 (36.68)		M27 X 1-6g .100R	1.073 (27.25)	0.505 (12.83)	M22 X 1 6g .100R
18	1.1250-.067P-2L-TS-2A	1.610 (40.89)	1.570 (39.88)		M30 X 1-6g .100R	1.192 (30.28)	0.568 (14.43)	M25 X 1 6g .100R
20	1.2500-.067P-2L-TS-2A	1.850 (46.99)	1.760 (44.70)		0.128 (3.25)	M34 X 1-6g .100R	1.349 (34.26)	0.630 (16.00)
22	1.3750-.067P-2L-TS-2A	2.010 (51.05)	1.913 (48.59)	M37 X 1-6g .100R		1.467 (37.26)	0.693 (17.60)	M31 X 1 6g .100R
24	1.5000-.067P-2L-TS-2A	2.195 (55.75)	2.070 (52.58)	M41 X 1-6g .100R		1.624 (41.25)	0.755 (19.18)	M34 X 1 6g .100R

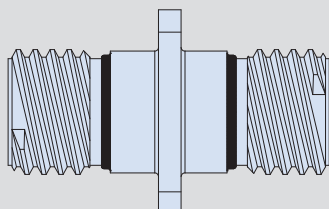
806-087-13 Weld Mount Receptacle Dimensions



Shell Size	"A" Thread Mating	"Ø E" ±.005 Banding Porch	"Ø L" ±.002 Flange	"Ø R" ±.002 MTG Hole	"Ø S" Thru
7	.4375-.067P-.2L-TS-2A	0.265 (6.73)	0.725 (18.42)	0.730 (18.54)	0.445 (11.30)
8	.5000-.067P-.2L-TS-2A	0.327 (8.31)	0.788 (20.02)	0.793 (20.14)	0.509 (12.93)
9	.5625-.067P-.2L-TS-2A	0.406 (10.31)	0.912 (23.16)	0.917 (23.29)	0.577 (14.66)
10	.6250-.067P-.2L-TS-2A	0.484 (12.29)	0.975 (24.76)	0.980 (24.89)	0.645 (16.38)
11	.6875-.067P-.2L-TS-2A	0.524 (13.31)	1.038 (26.37)	1.043 (26.49)	0.712 (18.08)
12	.7500-.067P-.2L-TS-2A	0.603 (15.32)	1.100 (27.94)	1.105 (28.07)	0.768 (19.51)
14	.8750-.067P-.2L-TS-2A	0.681 (17.30)	1.225 (31.12)	1.230 (31.24)	0.890 (22.61)
16	1.0000-.067P-.2L-TS-2A	0.782 (19.86)	1.350 (34.29)	1.355 (34.42)	1.015 (25.78)
18	1.1250-.067P-.2L-TS-2A	0.899 (22.83)	1.475 (37.47)	1.480 (37.59)	1.125 (28.58)
20	1.2500-.067P-.2L-TS-2A	1.043 (26.49)	1.600 (40.64)	1.605 (40.77)	1.275 (32.39)
22	1.3750-.067P-.2L-TS-2A	1.155 (29.34)	1.725 (43.82)	1.730 (43.94)	1.400 (35.56)
24	1.5000-.067P-.2L-TS-2A	1.273 (32.33)	1.850 (46.99)	1.855 (47.12)	1.525 (38.73)

Series 806 Mil-Aero Connectors

806-081 Hermetic Bulkhead Feedthrough



Series 806 hermetic bulkhead feedthroughs feature stainless steel shells and glass-to-metal seals. Rated for -65°C to +200°C temperature range. Micro miniature Series 806 connectors save size and weight compared to legacy aerospace-grade circular hermetic connectors. These high performance connectors are suitable for use on pressurized bulkheads and vacuum chamber applications subject to vibration, moisture, and temperature extremes.

Features

- Glass-to-metal seal
- High density #20HD and #22HD arrangements for reduced size and weight plus size #16, 12, and #8 standard and hybrid layouts
- Aerospace-grade materials, construction

Specifications

- Operating temperature: -65°C to +200°C
- Leak Rate: 1E-7 cm³/s at 1 ATM pressure differential
- Dielectric withstanding voltage
 - #22HD contacts: 1300 VAC
 - #20HD contacts: 1800 VAC
 - #16 contacts: 1800 VAC
 - #12 contacts: 1800 VAC
 - #8 contacts: 1000 VAC
- I.R.: 5000 megOhms min at 500 VDC
- Shell-to-Shell Conductivity: 10 mV max.
- Mating durability: 500 cycles
- Mechanical shock: EIA-364-27, 300g.
- Vibration (sine): MIL-DTL-38999M, 60g.
- Vibration (random) EIA-364-28 Condition VI, Letter J, 43.92 Grms, +200°C
- High Impact shock: MIL-S-901 Grade A
- Indirect Lightning Strike: EIA-364-75 Type B Level 2 10kA Peak

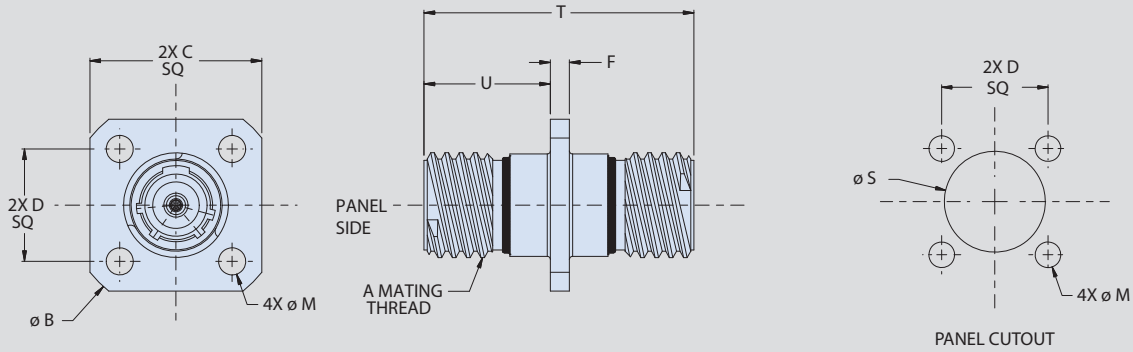
Connector Construction

- Shell and jam-nut: 300 series CRES
- Hermetic contacts: nickel-iron alloy, gold plated
- Socket contacts: copper alloy, gold plated
- Socket Hood: 300 series CRES
- Insulator, hermetic: vitreous glass
- Interfacial seal, peripheral seal, O-ring: fluorosilicone
- Insulator, socket: high grade rigid dielectric
- Seals and O-rings: Fluorosilicone

How To Order	
SAMPLE PART NUMBER	806-081 -07 Z1 9-1 P A -01
Product	806-081 = Hermetic Bulkhead Feedthrough Connector
Mounting Type	02 = Box Mount 13 = Weld Mount 07 = Jam-nut Mount
Shell Finish	Z1 = Passivated ZL = Nickel Plated
Shell Size-Insert Arrangement	See Table 1
Contact Style	P = Pin on Panel Side, Socket Opposite S = Socket on Panel Side, Pin Opposite PP = Pin-Pin Feedthrough SS = Socket-Socket Feedthrough; -01 length increases by .25"
Keyway Polarization	Per Detail
Panel Thickness	-01 = .125 -02 = .250 -03 = .500

Table I: Shell Size - Insert Arrangement																	
Contact Layout	Number of Contacts					Contact Layout	Number of Contacts					Contact Layout	Number of Contacts				
	22HD	20HD	16	12	8		22HD	20HD	16	12	8		22HD	20HD	16	12	8
7-3	3					22-69	69				18-3				3		
8-4	4					24-92	92				20-4				4		
8-7	7					8-1		1			22-5				5		
9-11	11					10-2		2			24-8				8		
10-15	15					11-4		4		10-8A	6		2				
11-19	19					12-5		5		11-13	11		2				
12-26	26					14-7		7		12-27	26		1				
14-39	39					16-12		12		14-21	17		4				
16-60	60					18-15		15		16-41	37		4				
18-85	85					20-22		22		18-59	55		4				
20-110	110					22-24		24		11-14	13			1			
22-140	140					24-35		35		12-14	12			2			
24-186	186					9-1			1	14-22	20			2			
8-3		3				12-2			2	16-32	28			4			
9-5		5				14-3			3	16-42	40			2			
10-8		8				16-4			4	18-62	60			2			
11-10		10				16-7			7	14-20A	19			1			
12-15		15				18-8			8	16-22	20			2			
14-20		20				20-11			11	18-21	18			3			
16-31		31				22-13			13	20-28	24			4			
18-41		41				24-19			19	22-44	40			4			
20-55		55				10-1			1	24-97	93			4			
						16-2			2								

806-081-02 Box Mount Dimensions

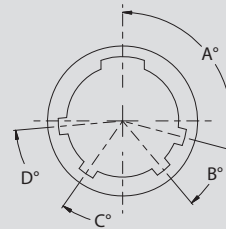


SHELL SIZES	A THREAD MATING	ϕB MAX FLANGE	C SQ MAX FLANGE FLATS	D SQUARE BSC MOUNTING HOLES	F MAX FLANGE	ϕM THRU MOUNTING HOLES	ϕS THRU
7	.4375-.067P-.2L-TS-2A	0.968 (24.59)	0.750 (19.05)	0.469 (11.91)	0.100 (2.54)	0.128 (3.25)	0.445 (11.30)
8	.5000-.067P-.2L-TS-2A	1.040 (26.42)	0.822 (20.88)	0.531 (13.49)	0.100 (2.54)	0.128 (3.25)	0.509 (12.93)
9	.5625-.067P-.2L-TS-2A	1.130 (28.70)	0.885 (22.48)	0.594 (15.09)	0.100 (2.54)	0.128 (3.25)	0.577 (14.66)
10	.6250-.067P-.2L-TS-2A	1.174 (29.82)	0.913 (23.19)	0.625 (15.88)	0.100 (2.54)	0.128 (3.25)	0.645 (16.38)
11	.6875-.067P-.2L-TS-2A	1.240 (31.50)	0.960 (24.38)	0.670 (17.02)	0.100 (2.54)	0.128 (3.25)	0.712 (18.08)
12	.7500-.067P-.2L-TS-2A	1.354 (34.39)	1.040 (26.42)	0.765 (19.43)	0.100 (2.54)	0.128 (3.25)	0.768 (19.51)
14	.8750-.067P-.2L-TS-2A	1.510 (38.35)	1.133 (28.78)	0.859 (21.82)	0.100 (2.54)	0.128 (3.25)	0.890 (22.61)
16	1.0000-.067P-.2L-TS-2A	1.620 (41.15)	1.227 (31.17)	0.938 (23.83)	0.100 (2.54)	0.128 (3.25)	1.015 (25.78)
18	1.1250-.067P-.2L-TS-2A	1.784 (45.31)	1.320 (33.53)	1.016 (25.81)	0.100 (2.54)	0.128 (3.25)	1.125 (28.58)
20	1.2500-.067P-.2L-TS-2A	1.910 (48.51)	1.444 (36.68)	1.109 (28.17)	0.125 (3.18)	0.154 (3.91)	1.275 (32.39)
22	1.3750-.067P-.2L-TS-2A	2.083 (52.91)	1.570 (39.88)	1.203 (30.56)	0.125 (3.18)	0.154 (3.91)	1.400 (35.56)
24	1.5000-.067P-.2L-TS-2A	2.200 (55.88)	1.696 (43.08)	1.312 (33.32)	0.125 (3.18)	0.154 (3.91)	1.525 (38.73)

Dimensions Based on Panel Thickness Option

DASH NO	T MAX	U MAX
-01	1.275 (32.39)	0.750 (19.05)
-02	1.400 (35.56)	0.875 (22.23)
-03	1.650 (41.91)	1.125 (28.58)

Polarization Key Code



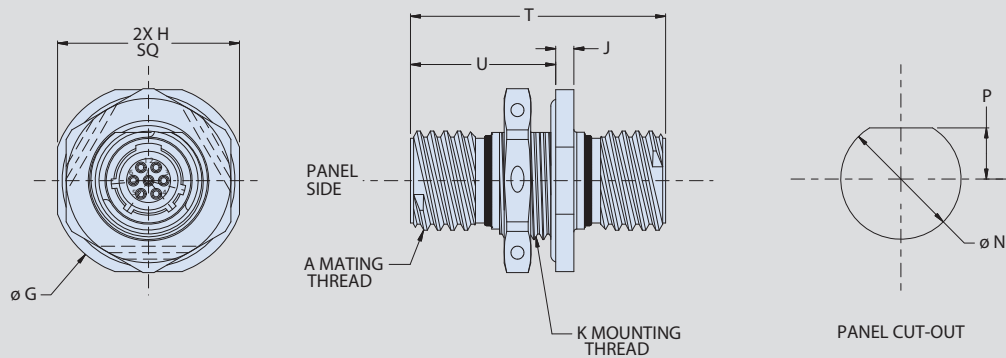
POS	A°	B°	C°	D°
A	105°	140°	215°	265°
B	102°	170°	248°	305°
C	80°	150°	230°	295°
D	68°	140°	205°	275°
E	64°	155°	234°	304°
F	72°	120°	200°	298°

Series 806 Mil-Aero Connectors

806-081 Hermetic Bulkhead Feedthrough



806-081-07 Jam-Nut Mount Dimensions

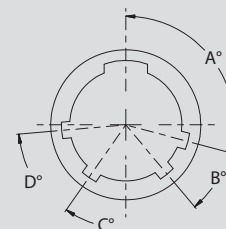


SHELL SIZES	A THREAD MATING	ø G MAX FLANGE	H SQUARE MAX FLANGE FLATS	J MAX FLANGE	ø N +.005/-0.000 (+0.13/- .000) MTG HOLE	P +.005/-0.000 (+0.13/- .000)MNTG FLAT
7	.4375-.067P-.2L-TS-2A	0.848 (21.54)	0.908 (23.06)	0.100 (2.54)	0.522 (13.26)	0.224 (5.69)
8	.5000-.067P-.2L-TS-2A	0.980 (24.89)	0.920 (23.37)	0.100 (2.54)	0.601 (15.27)	0.256 (6.50)
9	.5625-.067P-.2L-TS-2A	1.040 (26.42)	0.980 (24.89)	0.100 (2.54)	0.640 (16.26)	0.287 (7.29)
10	.6250-.067P-.2L-TS-2A	1.110 (28.19)	1.050 (26.67)	0.100 (2.54)	0.719 (18.26)	0.318 (8.08)
11	.6875-.067P-.2L-TS-2A	1.160 (29.46)	1.110 (28.19)	0.100 (2.54)	0.759 (19.28)	0.350 (8.89)
12	.7500-.067P-.2L-TS-2A	1.230 (31.24)	1.170 (29.72)	0.100 (2.54)	0.837 (21.26)	0.381 (9.68)
14	.8750-.067P-.2L-TS-2A	1.360 (34.54)	1.320 (33.53)	0.100 (2.54)	0.955 (24.26)	0.443 (11.25)
16	1.0000-.067P-.2L-TS-2A	1.515 (38.48)	1.444 (36.68)	0.100 (2.54)	1.073 (27.25)	0.505 (12.83)
18	1.1250-.067P-.2L-TS-2A	1.610 (40.89)	1.570 (39.88)	0.100 (2.54)	1.192 (30.28)	0.568 (14.43)
20	1.2500-.067P-.2L-TS-2A	1.850 (46.99)	1.760 (44.70)	0.128 (3.25)	1.349 (34.26)	0.630 (16.00)
22	1.3750-.067P-.2L-TS-2A	2.010 (51.05)	1.913 (48.59)	0.128 (3.25)	1.467 (37.26)	0.693 (17.60)
24	1.5000-.067P-.2L-TS-2A	2.195 (55.75)	2.070 (52.58)	0.128 (3.25)	1.624 (41.25)	0.755 (19.18)

Dimensions Based on Panel Thickness Option

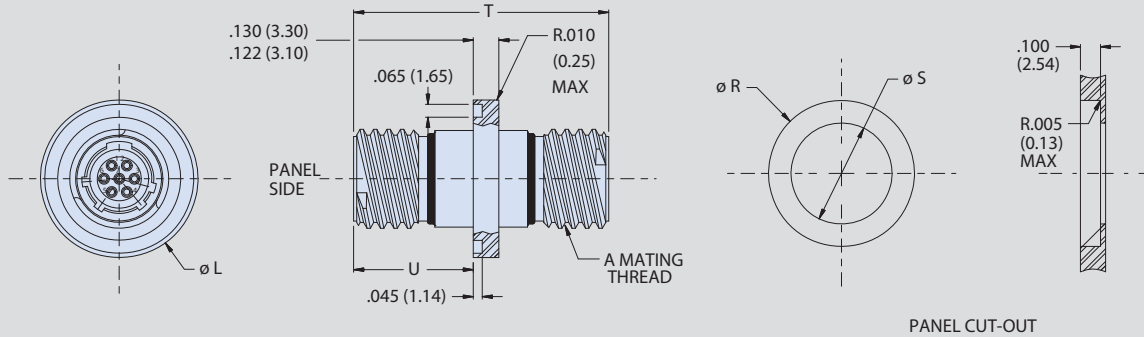
DASH NO	T MAX	U MAX
-01	1.275 (32.39)	0.750 (19.05)
-02	1.400 (35.56)	0.875 (22.23)
-03	1.650 (41.91)	1.125 (28.58)

Polarization Key Code



POS	A°	B°	C°	D°
A	105°	140°	215°	265°
B	102°	170°	248°	305°
C	80°	150°	230°	295°
D	68°	140°	205°	275°
E	64°	155°	234°	304°
F	72°	120°	200°	298°

806-081-13 Weld Mount Dimensions

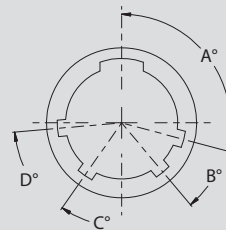


SHELL SIZES	A THREAD MATING	ø L ±.002 (0.05) FLANGE	ø R ±.002 (0.05) MTG HOLE	ø S THRU
7	.4375-.067P-.2L-TS-2A	0.725 (18.42)	0.730 (18.54)	0.445 (11.30)
8	.5000-.067P-.2L-TS-2A	0.788 (20.02)	0.793 (20.14)	0.509 (12.93)
9	.5625-.067P-.2L-TS-2A	0.912 (23.16)	0.917 (23.29)	0.577 (14.66)
10	.6250-.067P-.2L-TS-2A	0.975 (24.76)	0.980 (24.89)	0.645 (16.38)
11	.6875-.067P-.2L-TS-2A	1.038 (26.37)	1.043 (26.49)	0.712 (18.08)
12	.7500-.067P-.2L-TS-2A	1.100 (27.94)	1.105 (28.07)	0.768 (19.51)
14	.8750-.067P-.2L-TS-2A	1.225 (31.12)	1.230 (31.24)	0.890 (22.61)
16	1.0000-.067P-.2L-TS-2A	1.350 (34.29)	1.355 (34.42)	1.015 (25.78)
18	1.1250-.067P-.2L-TS-2A	1.475 (37.47)	1.480 (37.59)	1.125 (28.58)
20	1.2500-.067P-.2L-TS-2A	1.600 (40.64)	1.605 (40.77)	1.275 (32.39)
22	1.3750-.067P-.2L-TS-2A	1.725 (43.82)	1.730 (43.94)	1.400 (35.56)
24	1.5000-.067P-.2L-TS-2A	1.850 (46.99)	1.855 (47.12)	1.525 (38.73)

Dimensions Based on Panel Thickness Option

DASH NO	T MAX	U MAX
-01	1.275 (32.39)	0.750 (19.05)
-02	1.400 (35.56)	0.875 (22.23)
-03	1.650 (41.91)	1.125 (28.58)

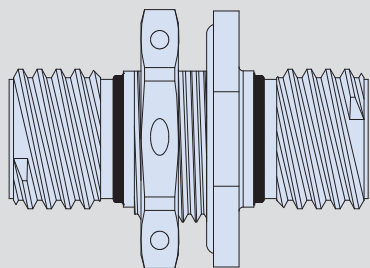
Polarization Key Code



POS	A°	B°	C°	D°
A	105°	140°	215°	265°
B	102°	170°	248°	305°
C	80°	150°	230°	295°
D	68°	140°	205°	275°
E	64°	155°	234°	304°
F	72°	120°	200°	298°

Series 806 Mil-Aero Connectors

806-083 Hermetic Bulkhead Feedthrough with RF Contacts



Series 806 hermetic bulkhead feedthroughs feature RF contacts and stainless steel shells and glass-to-metal seals. Rated for -65°C to +200°C temperature range. Micro miniature Series 806 connectors save size and weight. Series 806 connectors are ideal for pressurized bulkheads subject to vibration, moisture, and temperature extremes.

Features

- Glass-to-metal seal
- High density #20HD and #22HD arrangements for reduced size and weight plus size #16, 12, and #8 standard and hybrid layouts
- Aerospace-grade materials, construction

Specifications

- Operating temperature: -65°C to +200°C
- Leak rate: 1E-7 cm³/s at 1 ATM pressure differential
- Dielectric withstanding voltage
 - #22HD contacts: 1300 VAC
 - #20HD contacts: 1800 VAC
 - #16 contacts: 1800 VAC
 - #12 contacts: 1800 VAC
 - #8 contacts: 1000 VAC
- R/F Contacts - Per As39029 or Glenair Spec
- I.R.: 5000 megOhms min at 500 VDC
- Shell-to-shell conductivity: 10 mV max.
- Mating durability: 500 cycles
- Mechanical shock: EIA-364-27, 300g.
- Vibration (sine): MIL-DTL-38999M, 60g.
- Vibration (random) EIA-364-28 Condition VI, Letter J, 43.92 Grms, +200°C
- High impact shock: MIL-S-901 Grade A
- Indirect lightning strike: EIA-364-75 Type B Level 2 10kA Peak

Connector Construction

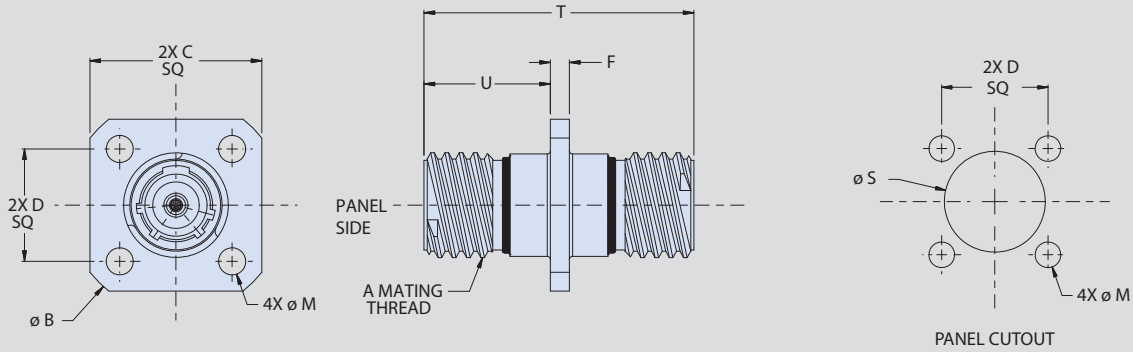
- Shell and jam-nut: 300 Series
- Hermetic contacts: nickel-iron alloy, gold plate
- Socket contacts: copper alloy, gold plated
- Socket hood: 300 Series
- Hermetic insulator: vitreous glass
- Socket insulator: high grade rigid dielectric
- Seals and O-rings: fluorosilicone

How To Order										
SAMPLE PART NUMBER		806-083	-07	Z1	9-1	C	P	A	-01	-75
Product	806-083 = Hermetic Bulkhead Feedthrough with RF Contacts									
Mounting Type	02 = Square Flange 13 = Weld Mount 07 = Jam-nut									
Shell Finish	Z1 = Passivated ZL = Nickel Plated									
Shell Size - Insert Arr.	See Table 1									
RF Contact	C = Co-Ax D = Differential Twin-Ax* Q = Quadrax* T = Concentric Twin-Ax* *Size 8 contacts; for signal/power, see 806-081									
Contact Style	P = Pin on Panel Side, Socket Opposite S = Socket on Panel Side, Pin Opposite									
Keyway Polarization	Per Polarization Key Code									
Panel Thickness	-01 = .125 -02 = .250 -03 = .500									
Nominal Impedance	#12 & #8 Quadrax -75 = 75 ohm; omit for std (50 ohm) -150 = 150 ohm; omit for std (100 ohm)									

Table I: Shell Size - Insert Arrangement

Contact Layout	Number of Contacts					Contact Layout	Number of Contacts					Contact Layout	Number of Contacts				
	22HD	20HD	16	12	8		22HD	20HD	16	12	8		22HD	20HD	16	12	8
7-3	3					22-69	69				18-3				3		
8-4	4					24-92	92				20-4				4		
8-7	7					8-1		1			22-5				5		
9-11	11					10-2		2			24-8				8		
10-15	15					11-4		4			10-8A	6		2			
11-19	19					12-5		5			11-13	11		2			
12-26	26					14-7		7			12-27	26		1			
14-39	39					16-12		12			14-21	17		4			
16-60	60					18-15		15			16-41	37		4			
18-85	85					20-22		22			18-59	55		4			
20-110	110					22-24		24			11-14	13			1		
22-140	140					24-35		35			12-14	12			2		
24-186	186					9-1			1		14-22	20			2		
8-3		3				12-2			2		16-32	28			4		
9-5		5				14-3			3		16-42	40			2		
10-8		8				16-4			4		18-62	60			2		
11-10		10				16-7			7		14-20A	19			1		
12-15		15				18-8			8		16-22	20			2		
14-20		20				20-11			11		18-21	18			3		
16-31		31				22-13			13		20-28	24			4		
18-41		41				24-19			19		22-44	40			4		
20-55		55				10-1			1		24-97	93			4		
						16-2			2								

806-083-02 Square Flange Dimensions

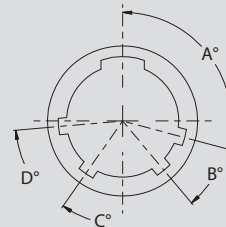


SHELL SIZES	A THREAD MATING	ø B MAX FLANGE	C SQ MAX FLANGE FLATS	D SQUARE BSC MOUNTING HOLES	F MAX FLANGE	ø M THRU MOUNTING HOLES	ø S THRU
7	.4375-.067P-.2L-TS-2A	0.968 (24.59)	0.750 (19.05)	0.469 (11.91)	0.100 (2.54)	0.128 (3.25)	0.445 (11.30)
8	.5000-.067P-.2L-TS-2A	1.040 (26.42)	0.822 (20.88)	0.531 (13.49)	0.100 (2.54)	0.128 (3.25)	0.509 (12.93)
9	.5625-.067P-.2L-TS-2A	1.130 (28.70)	0.885 (22.48)	0.594 (15.09)	0.100 (2.54)	0.128 (3.25)	0.577 (14.66)
10	.6250-.067P-.2L-TS-2A	1.174 (29.82)	0.913 (23.19)	0.625 (15.88)	0.100 (2.54)	0.128 (3.25)	0.645 (16.38)
11	.6875-.067P-.2L-TS-2A	1.240 (31.50)	0.960 (24.38)	0.670 (17.02)	0.100 (2.54)	0.128 (3.25)	0.712 (18.08)
12	.7500-.067P-.2L-TS-2A	1.354 (34.39)	1.040 (26.42)	0.765 (19.43)	0.100 (2.54)	0.128 (3.25)	0.768 (19.51)
14	.8750-.067P-.2L-TS-2A	1.510 (38.35)	1.133 (28.78)	0.859 (21.82)	0.100 (2.54)	0.128 (3.25)	0.890 (22.61)
16	1.0000-.067P-.2L-TS-2A	1.620 (41.15)	1.227 (31.17)	0.938 (23.83)	0.100 (2.54)	0.128 (3.25)	1.015 (25.78)
18	1.1250-.067P-.2L-TS-2A	1.784 (45.31)	1.320 (33.53)	1.016 (25.81)	0.100 (2.54)	0.128 (3.25)	1.125 (28.58)
20	1.2500-.067P-.2L-TS-2A	1.910 (48.51)	1.444 (36.68)	1.109 (28.17)	0.125 (3.18)	0.154 (3.91)	1.275 (32.39)
22	1.3750-.067P-.2L-TS-2A	2.083 (52.91)	1.570 (39.88)	1.203 (30.56)	0.125 (3.18)	0.154 (3.91)	1.400 (35.56)
24	1.5000-.067P-.2L-TS-2A	2.200 (55.88)	1.696 (43.08)	1.312 (33.32)	0.125 (3.18)	0.154 (3.91)	1.525 (38.73)

Dimensions Based on Panel Thickness Option

DASH NO	T MAX	U MAX
-01	1.275 (32.39)	0.750 (19.05)
-02	1.400 (35.56)	0.875 (22.23)
-03	1.650 (41.91)	1.125 (28.58)

Polarization Key Code



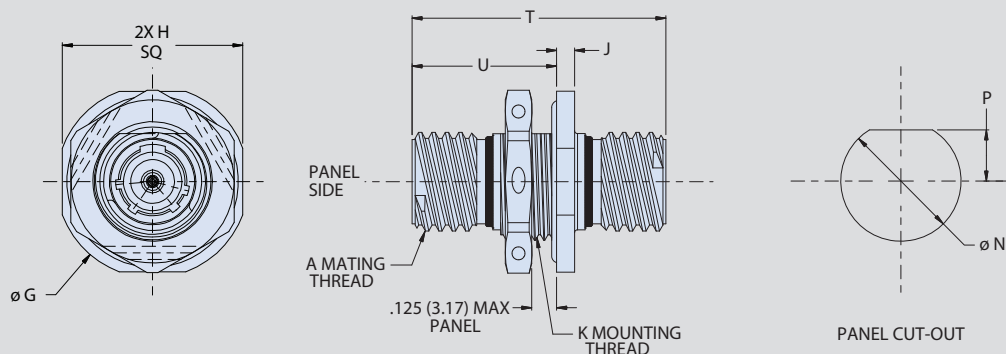
POS	A°	B°	C°	D°
A	105°	140°	215°	265°
B	102°	170°	248°	305°
C	80°	150°	230°	295°
D	68°	140°	205°	275°
E	64°	155°	234°	304°
F	72°	120°	200°	298°

Series 806 Mil-Aero Connectors

806-083 Hermetic Bulkhead Feedthrough with RF Contacts



806-083-07 Jam-Nut

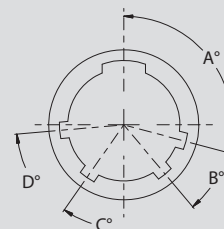


SHELL SIZES	A THREAD MATING	ϕG MAX FLANGE	H SQUARE MAX FLANGE FLATS	J MAX FLANGE	ϕN +.005/-0.000 (+0.13/- .000) MTG HOLE	P +.005/-0.000 (+0.13/- .000)MNTG FLAT
7	.4375-.067P-.2L-TS-2A	0.848 (21.54)	0.908 (23.06)	0.100 (2.54)	0.522 (13.26)	0.224 (5.69)
8	.5000-.067P-.2L-TS-2A	0.980 (24.89)	0.920 (23.37)	0.100 (2.54)	0.601 (15.27)	0.256 (6.50)
9	.5625-.067P-.2L-TS-2A	1.040 (26.42)	0.980 (24.89)	0.100 (2.54)	0.640 (16.26)	0.287 (7.29)
10	.6250-.067P-.2L-TS-2A	1.110 (28.19)	1.050 (26.67)	0.100 (2.54)	0.719 (18.26)	0.318 (8.08)
11	.6875-.067P-.2L-TS-2A	1.160 (29.46)	1.110 (28.19)	0.100 (2.54)	0.759 (19.28)	0.350 (8.89)
12	.7500-.067P-.2L-TS-2A	1.230 (31.24)	1.170 (29.72)	0.100 (2.54)	0.837 (21.26)	0.381 (9.68)
14	.8750-.067P-.2L-TS-2A	1.360 (34.54)	1.320 (33.53)	0.100 (2.54)	0.955 (24.26)	0.443 (11.25)
16	1.0000-.067P-.2L-TS-2A	1.515 (38.48)	1.444 (36.68)	0.100 (2.54)	1.073 (27.25)	0.505 (12.83)
18	1.1250-.067P-.2L-TS-2A	1.610 (40.89)	1.570 (39.88)	0.100 (2.54)	1.192 (30.28)	0.568 (14.43)
20	1.2500-.067P-.2L-TS-2A	1.850 (46.99)	1.760 (44.70)	0.128 (3.25)	1.349 (34.26)	0.630 (16.00)
22	1.3750-.067P-.2L-TS-2A	2.010 (51.05)	1.913 (48.59)	0.128 (3.25)	1.467 (37.26)	0.693 (17.60)
24	1.5000-.067P-.2L-TS-2A	2.195 (55.75)	2.070 (52.58)	0.128 (3.25)	1.624 (41.25)	0.755 (19.18)

Dimensions Based on Panel Thickness Option

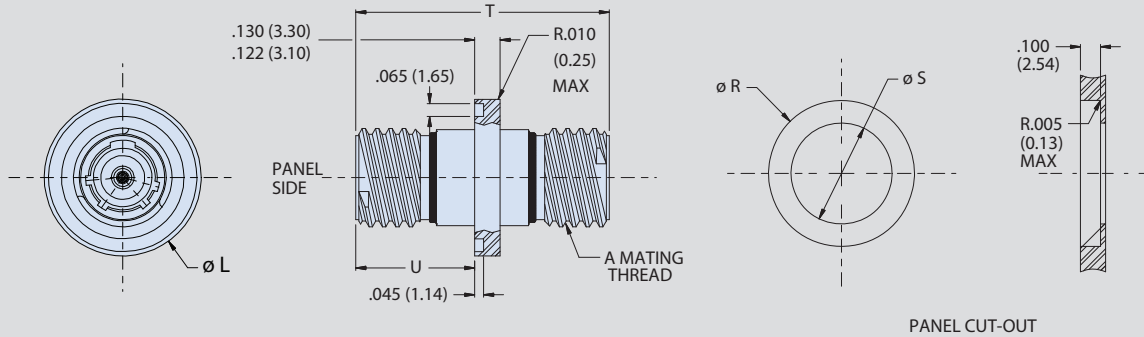
DASH NO	T MAX	U MAX
-01	1.275 (32.39)	0.750 (19.05)
-02	1.400 (35.56)	0.875 (22.23)
-03	1.650 (41.91)	1.125 (28.58)

Polarization Key Code



POS	A°	B°	C°	D°
A	105°	140°	215°	265°
B	102°	170°	248°	305°
C	80°	150°	230°	295°
D	68°	140°	205°	275°
E	64°	155°	234°	304°
F	72°	120°	200°	298°

806-083-13 Weld Mount

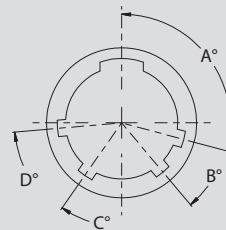


SHELL SIZES	A THREAD MATING	ϕL $\pm .002$ (0.05) FLANGE	ϕR $\pm .002$ (0.05) MTG HOLE	ϕS THRU
7	.4375-.067P-.2L-TS-2A	0.725 (18.42)	0.730 (18.54)	0.445 (11.30)
8	.5000-.067P-.2L-TS-2A	0.788 (20.02)	0.793 (20.14)	0.509 (12.93)
9	.5625-.067P-.2L-TS-2A	0.912 (23.16)	0.917 (23.29)	0.577 (14.66)
10	.6250-.067P-.2L-TS-2A	0.975 (24.76)	0.980 (24.89)	0.645 (16.38)
11	.6875-.067P-.2L-TS-2A	1.038 (26.37)	1.043 (26.49)	0.712 (18.08)
12	.7500-.067P-.2L-TS-2A	1.100 (27.94)	1.105 (28.07)	0.768 (19.51)
14	.8750-.067P-.2L-TS-2A	1.225 (31.12)	1.230 (31.24)	0.890 (22.61)
16	1.0000-.067P-.2L-TS-2A	1.350 (34.29)	1.355 (34.42)	1.015 (25.78)
18	1.1250-.067P-.2L-TS-2A	1.475 (37.47)	1.480 (37.59)	1.125 (28.58)
20	1.2500-.067P-.2L-TS-2A	1.600 (40.64)	1.605 (40.77)	1.275 (32.39)
22	1.3750-.067P-.2L-TS-2A	1.725 (43.82)	1.730 (43.94)	1.400 (35.56)
24	1.5000-.067P-.2L-TS-2A	1.850 (46.99)	1.855 (47.12)	1.525 (38.73)

Dimensions Based on Panel Thickness Option

DASH NO	T MAX	U MAX
-01	1.275 (32.39)	0.750 (19.05)
-02	1.400 (35.56)	0.875 (22.23)
-03	1.650 (41.91)	1.125 (28.58)

Polarization Key Code

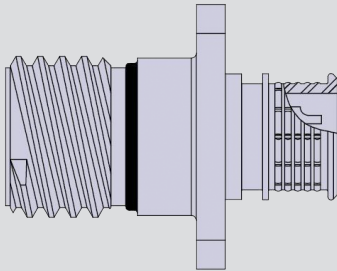


POS	A°	B°	C°	D°
A	105°	140°	215°	265°
B	102°	170°	248°	305°
C	80°	150°	230°	295°
D	68°	140°	205°	275°
E	64°	155°	234°	304°
F	72°	120°	200°	298°

SERIES 806 Mil-Aero Hermetic Receptacles



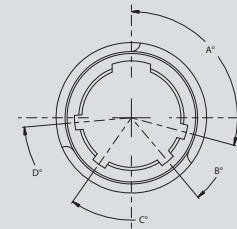
806-067 Hermetic Receptacles with Accessory Thread or Banding Porch



Series 806 hermetic receptacles feature stainless steel shells and glass-to-metal seals. Rated for -65°C to +200°C temperature range. Micro miniature Series 806 connectors save size and weight compared to legacy aerospace-grade hermetic connectors. These high performance, parylene compatible connectors are suitable for pressurized bulkhead applications subject to vibration, moisture, and temperature extremes.

How To Order							
Sample Part Number	806-067	-07	Z1	8-7	P	-B	A
Series	806-067 Hermetic Receptacle						
Mounting Type	02 = Box Mount 13 = Weld Mount 07 = Jam-Nut Mount						
Finish	Z1 = Passivated ZL = Nickel Plated						
Shell Size - Insert Arr.	See Insert Arrangement table						
Contact Type	P = Pin S = Socket						
Rear Attachment Style	B = Banding Porch (Terminate Shield With Glenair Nano Band) T = Accessory Threads						
Polarization	A, B, C, D, E, F						

Polarization Key Code



POS	A°	B°	C°	D°
A	105°	140°	215°	265°
B	102°	170°	248°	305°
C	80°	150°	230°	295°
D	68°	140°	205°	275°
E	64°	155°	234°	304°
F	72°	120°	200°	298°

Shell Size - Insert Arrangement																	
Contact Layout	Number of Contacts					Contact Layout	Number of Contacts					Contact Layout	Number of Contacts				
	22HD	20HD	16	12	8		22HD	20HD	16	12	8		22HD	20HD	16	12	8
7-3	3					22-69		69				16-2				2	
8-4	4					24-92		92				18-3				3	
8-7	7					8-1			1			20-4				4	
9-11	11					10-2			2			22-5				5	
10-15	15					11-4			4			24-8				8	
11-19	19					12-5			5			10-8A	6		2		
12-26	26					14-7			7			11-13	11		2		
14-39	39					16-12			12			12-27	26		1		
16-60	60					18-15			15			14-21	17		4		
18-85	85					20-22			22			16-41	37		4		
20-110	110					22-24			24			18-59	55		4		
22-140	140					24-35			35			11-14	13			1	
24-186	186					9-1				1		14-22	20			2	
8-3		3				12-2				2		12-14	12			2	
9-5		5				14-3				3		16-42	40			2	
10-8		8				16-4				4		18-62	60			2	
11-10		10				16-7				7		14-20A	19			1	
12-15		15				18-8				8		16-22	20			2	
14-20		20				20-11				11		18-21	18			3	
16-31		31				22-13				13		20-28	24			4	
18-41		41				24-19				19		22-44	40			4	
20-55		55				10-1				1		24-97	93			4	

NOTES

- DWV
 - #22 cont: 1300 VAC
 - #20 cont: 1800 VAC
 - #16, 12, & 8: Varies; consult factory
- I.R. - 5000 MEGOHMS min @ 500 VDC
- Assembly to be identified with Glenair name and/or cage code, part number, and date code (space permitting).
- 806-067 Receptacles mate with Glenair 806-style plug connectors with same size, arrangement, polarization, and opposite contact gender.
- Material / finish:
 - Shells & jam-nut: 304L cres / per p/n dev
 - Contacts, hermetic: Nickel-iron alloy / gold plate
 - Contacts, sockets: Copper alloy / gold plate
 - Insulator, hermetic: Vitreous glass
 - Insulator, socket: Rigid dielectric / none
 - Seals & o-rings: Fluorosilicone / N.A.

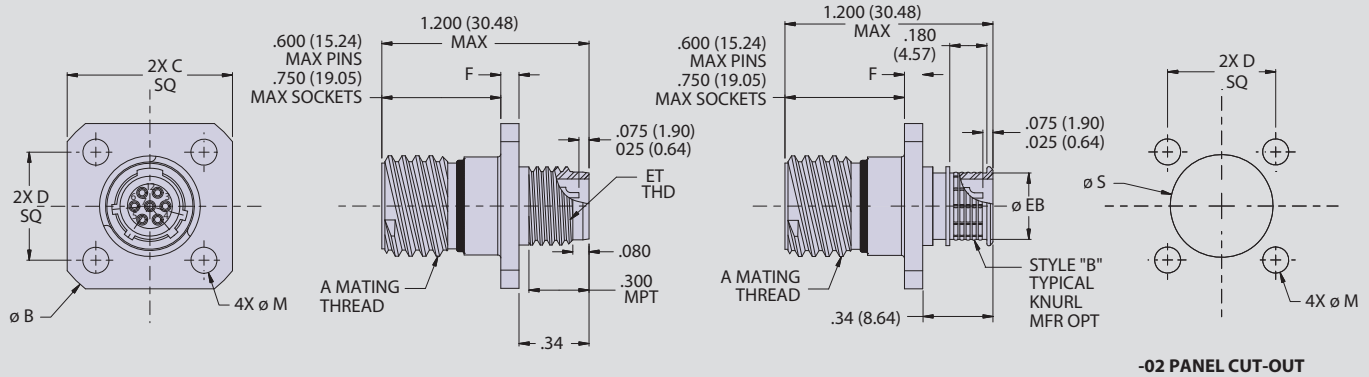
SERIES 806 GLASS-TO-METAL SEAL CONNECTORS

SERIES 806 Mil-Aero Hermetic Receptacles



806-067 Hermetic Receptacles with Accessory Thread or Banding Porch

806-067-02 BOX MOUNT HERMETIC RECEPTACLE



Dimensions									
Shell Sizes	"A" Thread Mating	"Ø B" Max Flange	"C" Square Max Flange Flats	"D" Square Bsc Mounting Holes	"Ø ET" Accessory Thread -0.100R	"Ø EB" ±.005 Banding Porch	"F" Max Flange	"Ø M" Thru Mtg Holes	"Ø S" Thru
7	.4375-.067P-.2L-TS-2A	0.968 (24.59)	0.750 (19.05)	0.469 (11.91)	M8 x 1.0-6g	0.265 (6.73)	0.100 (2.54)	0.128 (3.25)	0.445 (11.30)
8	.5000-.067P-.2L-TS-2A	1.040 (26.42)	0.822 (20.88)	0.531 (13.49)	M10 x 1.0-6g	0.327 (8.31)	0.100 (2.54)	0.128 (3.25)	0.509 (12.93)
9	.5625-.067P-.2L-TS-2A	1.130 (28.70)	0.885 (22.48)	0.594 (15.09)	M12 x 1.0-6g	0.406 (10.31)	0.100 (2.54)	0.128 (3.25)	0.577 (14.66)
10	.6250-.067P-.2L-TS-2A	1.174 (29.82)	0.913 (23.19)	0.625 (15.88)	M14 x 1.0-6g	0.484 (12.29)	0.100 (2.54)	0.128 (3.25)	0.645 (16.38)
11	.6875-.067P-.2L-TS-2A	1.240 (31.50)	0.960 (24.38)	0.670 (17.02)	M15 x 1.0-6g	0.524 (13.31)	0.100 (2.54)	0.128 (3.25)	0.712 (18.08)
12	.7500-.067P-.2L-TS-2A	1.354 (34.39)	1.040 (26.42)	0.765 (19.43)	M17 x 1.0-6g	0.603 (15.32)	0.100 (2.54)	0.128 (3.25)	0.768 (19.51)
14	.8750-.067P-.2L-TS-2A	1.510 (38.35)	1.133 (28.78)	0.859 (21.82)	M19 x 1.0-6g	0.681 (17.30)	0.100 (2.54)	0.128 (3.25)	0.890 (22.61)
16	1.0000-.067P-.2L-TS-2A	1.620 (41.15)	1.227 (31.17)	0.938 (23.83)	M22 x 1.0-6g	0.782 (19.86)	0.100 (2.54)	0.128 (3.25)	1.015 (25.78)
18	1.1250-.067P-.2L-TS-2A	1.784 (45.31)	1.320 (33.53)	1.016 (25.81)	M25 x 1.0-6g	0.899 (22.83)	0.100 (2.54)	0.128 (3.25)	1.125 (28.58)
20	1.2500-.067P-.2L-TS-2A	1.910 (48.51)	1.444 (36.68)	1.109 (28.17)	M28 x 1.0-6g	1.043 (26.49)	0.125 (3.18)	0.154 (3.91)	1.275 (32.39)
22	1.3750-.067P-.2L-TS-2A	2.083 (52.91)	1.570 (39.88)	1.203 (30.56)	M31 x 1.0-6g	1.155 (29.34)	0.125 (3.18)	0.154 (3.91)	1.400 (35.56)
24	1.5000-.067P-.2L-TS-2A	2.200 (55.88)	1.696 (43.08)	1.312 (33.32)	M34 x 1.0-6g	1.273 (32.33)	0.125 (3.18)	0.154 (3.91)	1.525 (38.73)

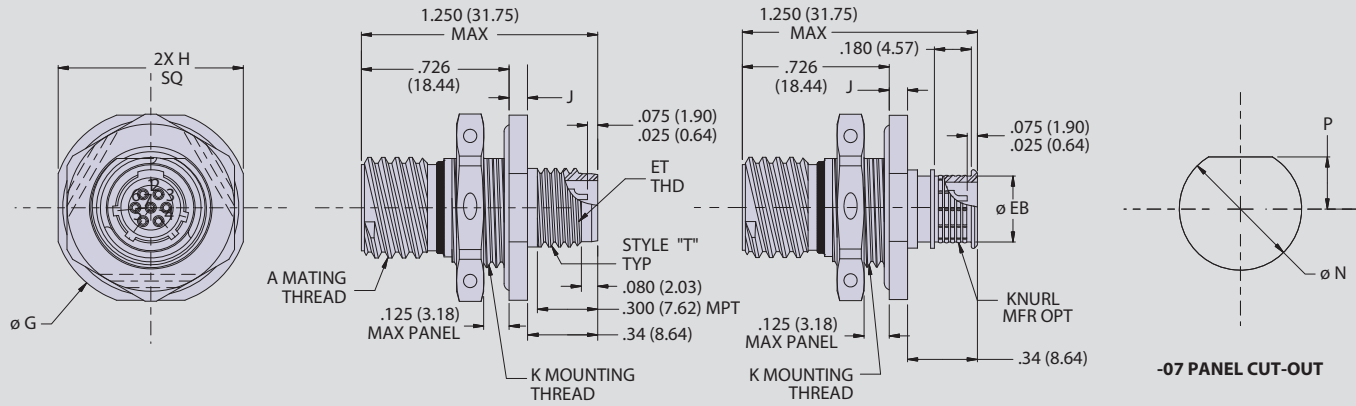
SERIES 806 GLASS-TO-METAL SEAL CONNECTORS

SERIES 806 Mil-Aero Hermetic Receptacles



806-067 Hermetic Receptacles with Accessory Thread or Banding Porch

806-067-07 JAM-NUT MOUNT HERMETIC RECEPTACLE



Dimensions

Shell Sizes	"A" Thread Mating	"ET" Accessory Threads -0.100R	"Ø EB" ±.005 Banding Porch	"Ø G" Max Flange	"H" Square Max Flange Flats	"J" Max Flange	"K" Thread Mounting	"Ø N" +.005/- .000 Mounting Hole	"P" +.005/- .000 Mounting Flat
7	.4375-.067P-.2L-TS-2A	M8 X 1.0-6g	.265 (6.73)	0.848 (21.54)	0.908 (23.06)	0.100 (2.54)	M13 X 1-6g .100R	0.522 (13.26)	0.224 (5.69)
8	.5000-.067P-.2L-TS-2A	M10 X 1.0-6g	.327 (8.31)	0.980 (24.89)	0.920 (23.37)		M15 X 1-6g .100R	0.601 (15.27)	0.256 (6.50)
9	.5625-.067P-.2L-TS-2A	M12 X 1.0-6g	.406 (10.31)	1.040 (26.42)	0.980 (24.89)		M16 X 1-6g .100R	0.640 (16.26)	0.287 (7.29)
10	.6250-.067P-.2L-TS-2A	M14 X 1.0-6g	.484 (12.29)	1.110 (28.19)	1.050 (26.67)		M18 X 1-6g .100R	0.719 (18.26)	0.318 (8.08)
11	.6875-.067P-.2L-TS-2A	M15 X 1.0-6g	.524 (13.31)	1.160 (29.46)	1.110 (28.19)		M19 X 1-6g .100R	0.759 (19.28)	0.350 (8.89)
12	.7500-.067P-.2L-TS-2A	M17 X 1.0-6g	.603 (15.32)	1.230 (31.24)	1.170 (29.72)		M21 X 1-6g .100R	0.837 (21.26)	0.381 (9.68)
14	.8750-.067P-.2L-TS-2A	M19 X 1.0-6g	.681 (17.30)	1.360 (34.54)	1.320 (33.53)		M24 X 1-6g .100R	0.955 (24.26)	0.443 (11.25)
16	1.0000-.067P-.2L-TS-2A	M22 X 1.0-6g	.782 (19.86)	1.515 (38.48)	1.444 (36.68)		M27 X 1-6g .100R	1.073 (27.25)	0.505 (12.83)
18	1.1250-.067P-.2L-TS-2A	M25 X 1.0-6g	.899 (22.83)	1.610 (40.89)	1.570 (39.88)		M30 X 1-6g .100R	1.192 (30.28)	0.568 (14.43)
20	1.2500-.067P-.2L-TS-2A	M28 X 1.0-6g	1.043 (26.49)	1.850 (46.99)	1.760 (44.70)		0.128 (3.25)	M34 X 1-6g .100R	1.349 (34.26)
22	1.3750-.067P-.2L-TS-2A	M31 X 1.0-6g	1.155 (29.34)	2.010 (51.05)	1.913 (48.59)	M37 X 1-6g .100R		1.467 (37.26)	0.693 (17.60)
24	1.5000-.067P-.2L-TS-2A	M34 X 1.0-6g	1.273 (32.33)	2.195 (55.75)	2.070 (52.58)	M41 X 1-6g .100R		1.624 (41.25)	0.755 (19.18)

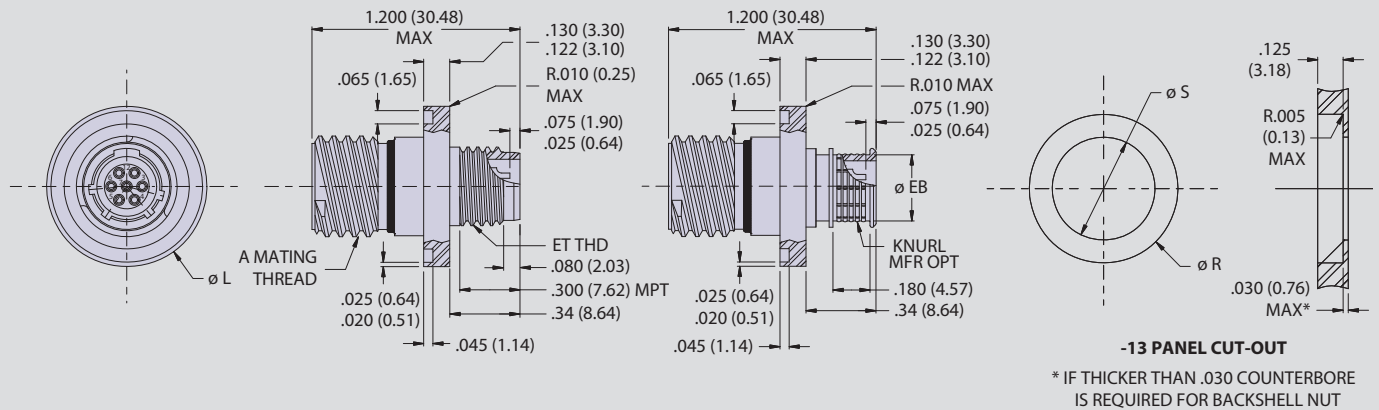
SERIES 806 GLASS-TO-METAL SEAL CONNECTORS

SERIES 806 Mil-Aero Hermetic Receptacles



806-067 Hermetic Receptacles with Accessory Thread or Banding Porch

806-067-13 WELD MOUNT HERMETIC RECEPTACLE



Dimensions						
Shell Sizes	"A" Thread Mating	"ET" Accessory Threads -0.100R	"Ø EB" ±.005 Banding Porch	"Ø L" ±.002 Flange	"Ø R" ±.002 MTG Hole	"Ø S" Thru
7	.4375-.067P-2L-TS-2A	M8 X 1.0-6g	.265 (6.73)	0.725 (18.42)	0.730 (18.54)	0.445 (11.30)
8	.5000-.067P-2L-TS-2A	M10 X 1.0-6g	.327 (8.31)	0.788 (20.02)	0.793 (20.14)	0.509 (12.93)
9	.5625-.067P-2L-TS-2A	M12 x 1.0-6g	.406 (10.31)	0.912 (23.16)	0.917 (23.29)	0.577 (14.66)
10	.6250-.067P-2L-TS-2A	M14 X 1.0-6g	.484 (12.29)	0.975 (24.76)	0.980 (24.89)	0.645 (16.38)
11	.6875-.067P-2L-TS-2A	M15 X 1.0-6g	.524 (13.31)	1.038 (26.37)	1.043 (26.49)	0.712 (18.08)
12	.7500-.067P-2L-TS-2A	M17 X 1.0-6g	.603 (15.32)	1.100 (27.94)	1.105 (28.07)	0.768 (19.51)
14	.8750-.067P-2L-TS-2A	M19 X 1.0-6g	.681 (17.30)	1.225 (31.12)	1.230 (31.24)	0.890 (22.61)
16	1.0000-.067P-2L-TS-2A	M22 X 1.0-6g	.782 (19.86)	1.350 (34.29)	1.355 (34.42)	1.015 (25.78)
18	1.1250-.067P-2L-TS-2A	M25 X 1.0-6g	.899 (22.83)	1.475 (37.47)	1.480 (37.59)	1.125 (28.58)
20	1.2500-.067P-2L-TS-2A	M28 X 1.0-6g	1.043 (26.49)	1.600 (40.64)	1.605 (40.77)	1.275 (32.39)
22	1.3750-.067P-2L-TS-2A	M31 X 1.0-6g	1.155 (29.34)	1.725 (43.82)	1.730 (43.94)	1.400 (35.56)
24	1.5000-.067P-2L-TS-2A	M34 X 1.0-6g	1.273 (32.33)	1.850 (46.99)	1.855 (47.12)	1.525 (38.73)

SERIES 806 GLASS-TO-METAL SEAL CONNECTORS



Glenair®

LIGHTWEIGHT, LOW RESISTANCE

CODE RED

“Mission-Critical” hermetic sealing with 1×10^{-7} leak-rate performance

Hermetically-sealed interconnects used in vacuum or high-altitude applications prevent moisture and other contaminants from damaging sensitive electronic equipment. Glass-to-metal hermetic sealing has been the gold standard in the aerospace and petrochemical industries for decades due to the strength and long-term durability of the materials used. But glass-to-metal seal hermetics come with a big price tag in both weight and electrical resistance.

CODE RED is an innovative sealing encapsulant and application process—invented by Glenair—that provides durable hermetic sealing in a lightweight aluminum package. CODE RED allows for the use of conventional gold-plated copper alloy contacts, significantly improving electrical performance. CODE RED hermetic connectors are available now in Glenair SuperNine® (D38999 Series III type metal and composite), Series 80 Mighty Mouse, and M24308 D-Sub; and deliver reliable, life-of-system 1×10^{-7} max leak-rate hermetic sealing. Special non-magnetic (zero residual magnetism) versions are also available, consult factory.

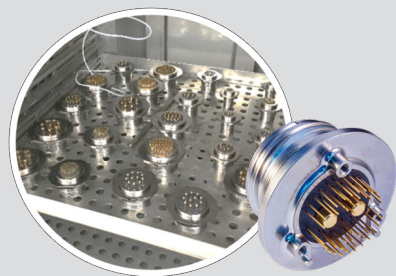
- Full hermetic sealing, 1×10^{-7} in a lightweight aluminum shell with low electrical resistance gold-plated copper contacts
- Passed full D38999/23 qualification testing
- Meets NASA outgassing requirements, as well as aerospace temperature and corrosion resistance standards
- Operating temperature -65°C to $+200^{\circ}\text{C}$
- Available today in Mighty Mouse 806 Mil-Aero, M24308/9 D-Sub and D38999/23
- Significant weight savings—up to +50%
- Order-of-magnitude improvement in current carrying capacity and electrical resistance compared to Kovar/Inconel solutions

HERMETIC, MICRO MINIATURE CIRCULAR Series 806 Mil-Aero Connectors

The lightweight hermetic sealing solution



CODE RED LIGHTWEIGHT HERMETIC CONNECTOR TESTING AND VALIDATION



Connectors utilizing CODE RED hermetic encapsulant sealing went through a grueling qualification test and validation process to prove material durability and hermeticity. Validation testing including 100 cycles of thermal shock IAW EIA-364-32 Test Condition A -65°C to +200°C while maintaining hermeticity followed by 1000 hours of thermal aging at 200°C. Additional tests included:

- DWV, DWV at altitude
- IR, IR at temperature
- Highly Accelerated Life Testing (HALT)
- Insert and contact retention
- Mating durability
- Random vibration at temperature IAW MIL-DTL-38999
- Hermetic seal at 30 psi

The entire qualification test cycle was repeated successfully a second time with new parts to validate complete reliability.

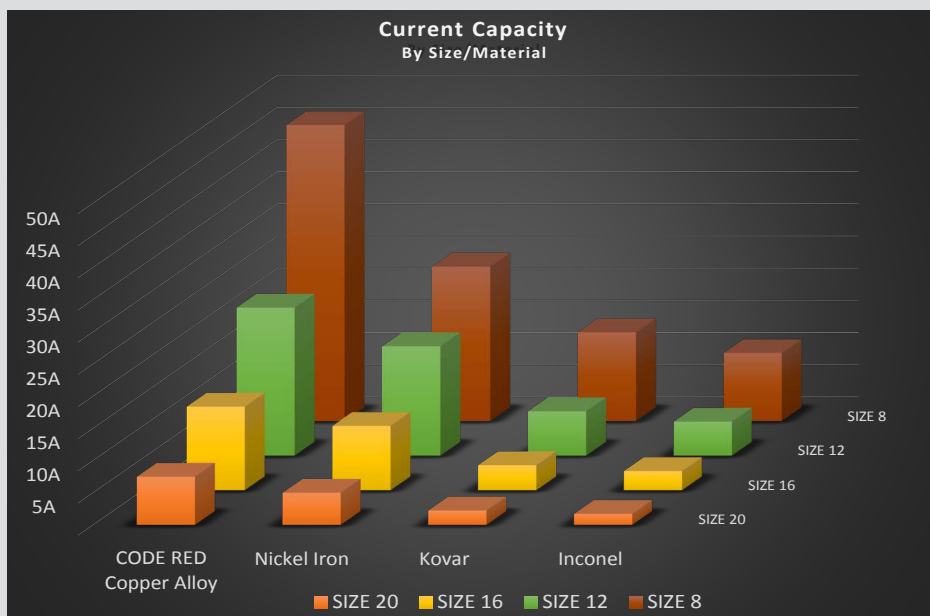
CODE RED USES PROVEN-PERFORMANCE CONNECTOR AND CONTACT MATERIALS

CODE RED Materials / Finish	
Sealing Adhesive	Proprietary Glenair compound
Contacts*	Gold-plated beryllium copper alloy per ASTM B 197 or equivalent
Insulator	Rigid plastic
Seals	Blended fluorosilicone/silicone elastomer
Receptacle Shell and Jam Nut*	Aluminum alloy 6061-T6 per ASTM B 221
Finish*	Electroless nickel per ASTM B 733

*zero residual magnetism materials also available

Percentage Weight Savings CODE RED vs. Glass-to-Metal MIL-DTL-38999 Sr. III	
Shell Size/Insert Arr.	Weight Reduction
9-35	52%
11-98	47%
13-35	47%
15-97	42%
19-32	40%
21-11	32%
23-21	28%
25-08	43%

Graph illustrates Current Carrying Capacity of CODE RED copper alloy contacts compared to the Inconel, Kovar, and nickel iron contacts used in conventional glass-to-metal seal hermetics.



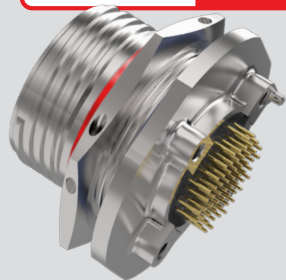
APPLICATION NOTES: CODE RED is a viable drop-in solution for conventional glass-to-metal seal hermetic connectors with the following exceptions:

- 1. Fuel Cells:** Although CODE RED exhibits outstanding resistance to caustic chemicals and fuels, its use in fuel tanks/fuel cell applications is not recommended.
- 2. Cryogenics:** CODE RED has been tested and qualified to -65°C IAW MIL-DTL-38999
- 3. Sustained High-Operating Temperatures:** CODE RED has been tested and qualified to +200°C IAW MIL-DTL-38999
- 4. High Radiation:** Exposure to no more than 6 Megarads of radiation
- 5. Deep Subsea:** CODE RED is ideally suited for aerospace and downhole applications that do not exceed 2 BAR (30 psi) atmospheric pressure differential.
- 6. Space Life Support Systems:** Requires additional qualification testing not yet performed by Glenair.

Series 806 Mil-Aero Connectors



806-028 Lightweight Aluminum Hermetic Receptacles, PC Tail



Lightweight aluminum Hermetic. Higher current rating. 806-028 aluminum hermetic receptacles are lighter than stainless steel glass-to-metal hermetic connectors. A signature sealing process delivers reliable hermetic performance at extreme temperatures. Copper alloy contacts have lower resistance and higher current rating than iron alloy contacts used in standard hermetics. Hermeticity is $1E^{-7}$ cm³/sec at 1 ATM pressure differential. Series supports hybrid signal and high-speed / RF shielded contacts including Glenair Signature El Ocho (up to 40 GbE), Quadrax, 50 Ohm Coax, and differential Twinax for 10GbE, HDMI, USB 3.0, and RF applications. Integral standoffs and threaded mounting holes offer secure attachment to rigid or flex circuits and parylene compatible.

Features

- Triple-start stub ACME mating thread
- High density #20HD and #22HD arrangements for reduced size and weight plus size #16, #12, #8 standard and hybrid layouts
- Aerospace-grade material options, construction
- Integral PC board standoffs
- Threaded holes for secure attachment to rigid or flex circuits
- Alignment post

Specifications

- Operating temperature: -65°C to +200°C
- Leak Rate: $1E^{-7}$ cm³/s at 1 ATM pressure differential
- Dielectric withstanding voltage
#22HD layouts: 1300 VAC
#20HD layouts: 1800 VAC
#16 layouts: contact factory
#12 layouts: contact factory
#8 layouts: contact factory
- Mating durability: 500 cycles
- Mechanical shock: EIA-364-27, 300g.
- Vibration (sine): MIL-DTL-38999M, 60g.
- Vibration (random): EIA-364-28 Condition VI, Letter J, 43.92 Grms, +200°C
- High Impact shock: MIL-S-901 Grade A
- Salt spray (dynamic): EIA-364-26, 96 hours
- Altitude immersion: EIA-364-03 75,000 feet altitude
- Indirect Lightning Strike: EIA-364-75 Type B Level 2 10kA Peak

Connector Construction

- Shell and jam-nut: see Table II
- Contacts: copper alloy, gold plating
- Sealing compound: proprietary Glenair formulation
- Dielectric inserts: high grade rigid dielectric
- Interfacial seal, peripheral seal, O-ring: fluorosilicone

How To Order

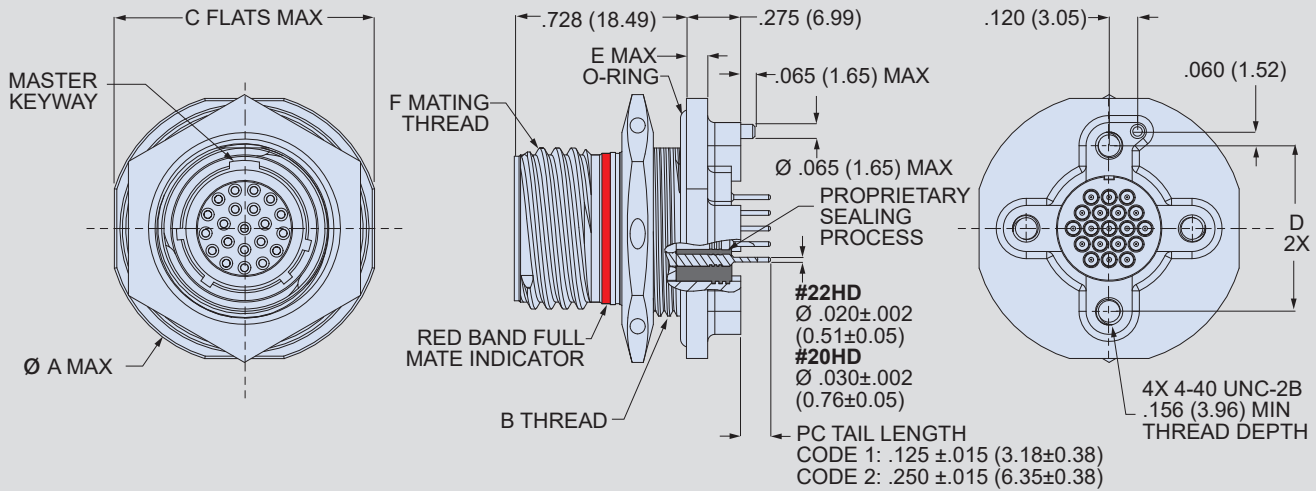
SAMPLE PART NUMBER		806-028	-ME	8-7	P	1	A
Product	806-028 = Jam-nut Receptacle with PC Tails						
Shell Material and Finish	See Table II						
Arrangement Number (Shell Size - Insert Arr.)	See Table I						
Contact Type	P = Pin S = Socket						
PC Tail Length	1 = .125" (3.18 mm.) 2 = .250" (6.35 mm.)						
Polarization	A B C D E F						

Table I: Shell Size - Insert Arrangement

Contact Layout	Number of Contacts					Contact Layout	Number of Contacts					Contact Layout	Number of Contacts				
	22HD	20HD	16	12	8		22HD	20HD	16	12	8		22HD	20HD	16	12	8
7-3	3					22-69	69				18-3					3	
8-4	4					24-92	92				20-4					4	
8-7	7					8-1		1			22-5					5	
9-11	11					10-2		2			24-8					8	
10-15	15					11-4		4		10-8A	6		2				
11-19	19					12-5		5		11-13	11		2				
12-26	26					14-7		7		12-27	26		1				
14-39	39					16-12		12		14-21	17		4				
16-60	60					18-15		15		16-41	37		4				
18-85	85					20-22		22		18-59	55		4				
20-110	110					22-24		24		11-14	13			1			
22-140	140					24-35		35		12-14	12			2			
24-186	186					9-1			1	14-22	20			2			
8-3		3				12-2			2	16-32	28			4			
9-5		5				14-3			3	16-42	40			2			
10-8		8				16-4			4	18-62	60			2			
11-10		10				16-7			7	14-20A	19				1		
12-15		15				18-8			8	16-22	20				2		
14-20		20				20-11			11	18-21	18				3		
16-31		31				22-13			13	20-28	24				4		
18-41		41				24-19			19	22-44	40				4		
20-55		55				10-1				24-97	93				4		
						16-2									2		

Series 806 Mil-Aero Connectors

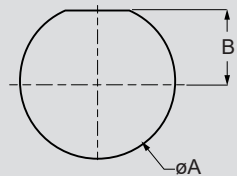
806-028 Lightweight Aluminum Hermetic Receptacles, PC Tail



806-028 Receptacle Dimensions

Shell Size	ϕA Max	B Thread	C Max	D	E Max	F Mating Thread
7	.848 (21.54)	M8x1.0-6g-0.100R	.908 (23.06)	.489 (12.42)	.100 (2.54)	4375-.067P-.2L-TS-2A
8	.980 (24.89)	M15x1.0-6g-0.100R	.920 (23.37)	.534 (13.56)	.100 (2.54)	.5000-.067P-.2L-TS-2A
9	1.040 (26.42)	M16x1.0-6g-0.100R	.980 (24.89)	.579 (14.71)	.100 (2.54)	.5625-.067P-.2L-TS-2A
10	1.110 (28.19)	M18x1.0-6g-0.100R	1.050 (26.67)	.679 (17.25)	.100 (2.54)	.6250-.067P-.2L-TS-2A
11	1.160 (29.46)	M19x1.0-6g-0.100R	1.110 (28.19)	.734 (18.64)	.100 (2.54)	.6875-.067P-.2L-TS-2A
12	1.230 (31.24)	M21x1.0-6g-0.100R	1.170 (29.72)	.804 (20.42)	.100 (2.54)	.7500-.067P-.2L-TS-2A
14	1.360 (34.54)	M24x1.0-6g-0.100R	1.320 (33.53)	.891 (22.63)	.100 (2.54)	.8750-.067P-.2L-TS-2A
16	1.515 (38.48)	M27x1.0-6g-0.100R	1.444 (36.68)	1.049 (26.64)	.100 (2.54)	1.0000-.067P-.2L-TS-2A
18	1.610 (40.89)	M30x1.0-6g-0.100R	1.570 (39.88)	1.148 (29.16)	.100 (2.54)	1.1250-.067P-.2L-TS-2A
20	1.850 (46.99)	M34x1.0-6g-0.100R	1.760 (44.70)	1.252 (31.80)	.128 (3.25)	1.2500-.067P-.2L-TS-2A
22	2.010 (51.05)	M37x1.0-6g-0.100R	1.913 (48.59)	1.369 (34.77)	.128 (3.25)	1.3750-.067P-.2L-TS-2A
24	2.195 (55.75)	M41x1.0-6g-0.100R	2.070 (52.58)	1.509 (38.33)	.128 (3.25)	1.5000-.067P-.2L-TS-2A

806-028 Jam-nut D-Hole Dims.



Shell Size	ϕA +.005/-0.00 (+0.13/-0.00)	B +.005/-0.00 (+0.13/-0.00)
7	.552 (14.02)	.224 (5.69)
8	.601 (15.27)	.256 (6.50)
9	.640 (16.26)	.287 (7.29)
10	.719 (18.26)	.318 (8.08)
11	.759 (19.28)	.350 (8.89)
12	.837 (21.26)	.381 (9.68)
14	.955 (24.26)	.443 (11.25)
16	1.073 (27.25)	.505 (12.83)
18	1.192 (30.28)	.568 (14.43)
20	1.349 (34.26)	.630 (16.00)
22	1.467 (37.26)	.693 (17.60)
24	1.624 (41.25)	.755 (19.18)

Table II: Material and Finish

Sym	Material	Finish	Temp. Range
AB	Marine Bronze	None (Clean Only)	-65° to +200°C
M	Aluminum Alloy	Electroless Nickel,	
MA		Electroless Nickel, Matte Finish	
ME		Electroless Nickel	
NF		Cad/O.D. over electroless nickel	-65° to +175°C
ZN	Zinc Ni, Olive Drab		
ZR	Zinc Ni, Black (Tri-Valent CR)		

Series 806 Mil-Aero Connectors



806-043 Lightweight Hermetic PCB Receptacle with El Ochito Contacts

CODE RED


Features

- Triple-start stub ACME mating thread
- High density #22HD / El Ochito arrangements for reduced size and weight
- Aerospace-grade materials, construction
- Integral PC board standoffs
- Threaded holes for secure attachment to rigid or flex circuits
- Alignment post

Specifications

- Operating temperature: -65°C to +200°C
- Dielectric withstanding voltage #22HD layouts: 1300 VAC
- Mating durability: 500 cycles (El Ochito)
- Mechanical shock: EIA-364-27, 300g.
- Vibration (sine): MIL-DTL-38999M, 60g.
- Vibration (random) EIA-364-28 Condition VI, Letter J, 43.92 Grms, +200°C
- High Impact shock: MIL-S-901 Grade A
- Humidity: EIA-364-31 Method 4
- Salt spray (dynamic): EIA-364-26, 500 hours (96 hours for nickel-plated versions)
- Fluid immersion: EIA-364-10
- Altitude immersion: EIA-364-03 75,000 feet altitude
- Indirect Lightning Strike: EIA-364-75 Type B Level 2 10kA Peak

Connector Construction

- Shell, jam-nut: aluminum or stainless steel
- Contacts: copper alloy, gold plating
- Potting compound: epoxy
- Interfacial seal and peripheral seal: fluorosilicone
- Dielectric inserts: high grade rigid dielectric
- Panel O-ring: fluorosilicone

Lightweight aluminum hermetic. Higher current rating. 806-043 aluminum hermetic receptacles with high-speed El Ochito contacts are lighter than stainless steel glass-to-metal hermetic connectors. A signature sealing process delivers reliable hermetic performance. Copper alloy contacts have lower resistance and higher current rating than iron alloy contacts used in conventional hermetics. Hermeticity is $1E^{-7}$ cm³/sec at 1 ATM pressure differential. Integral standoffs and threaded mounting holes provide secure attachment to rigid or flex circuits. Series 806 connectors are parylene compatible, and ideal for high-speed aerospace data link applications.

		How To Order							
SAMPLE PART NUMBER		806-043	-ME	14	E	-	20A	S	A
Product	806-043 = Jam-Nut, El Ochito PCB Recept								
Shell Material and Finish	ME = Aluminum, Electroless Nickel MT = Aluminum, Ni/PTFE ZR = Aluminum, Black Zinc-Nickel NF = Aluminum, Olive Drab Cadmium Z1 = Stainless Steel, Passivated								
Shell Size	See Table I or Dimensions Table								
Protocol Code	See Table II								
Ground Option	G = Common Ground for arrangements 10-1, 16-2, 18-3, 20-4, 22-5, and 24-8 only Dash (-) = None								
Contact Layout	See Table I								
Contact Gender	P = Pin S = Socket								
Polarization	A B C D E F								

Please visit the hermetic catalog for a complete offering of our connectors.

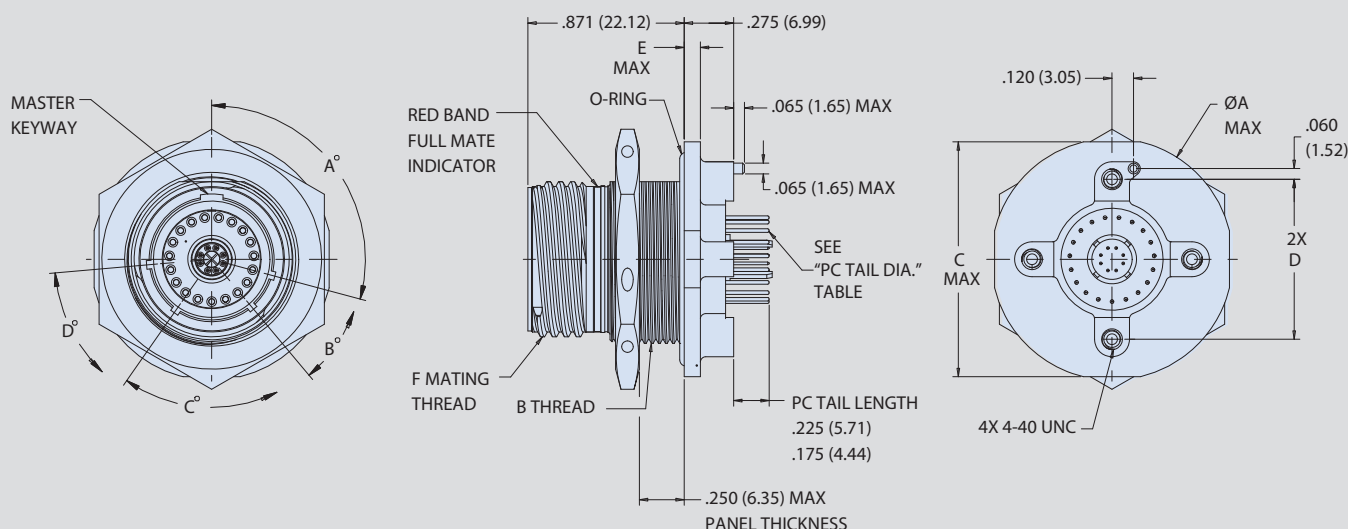
Table I: Shell Size - Insert Arrangement

Contact Layout	Number of Contacts	
	22HD	8
10-1		1
16-2		2
18-3		3
20-4		4
22-5		5
24-8		8
14-20A	19	1
16-22	20	2
18-21	18	3
20-28	24	4
22-44	40	4
24-97	93	4

Series 806 Mil-Aero Connectors

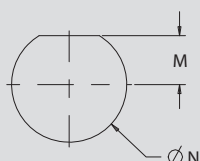


806-043 Lightweight Hermetic PCB Receptacle with El Ochito Contacts



Dimensions

Shell Size	ØA Max	B Thread	C Max	D	E Max	F Mating Thread
10	1.110	M18 X 1-6g-.100R	1.050 (26.67)	0.679 (17.25)	0.100 (2.54)	.6250-.067P-.2L-TS-2A
14	1.360	M24 X 1-6g-.100R	1.320 (33.53)	0.891 (22.63)	0.100 (2.54)	.8750-.067P-.2L-TS-2A
16	1.515	M27 X 1-6g-.100R	1.444 (36.68)	1.049 (26.64)	0.100 (2.54)	1.000-.067P-.2L-TS-2A
18	1.610	M30 X 1-6g-.100R	1.570 (39.88)	1.148 (29.16)	0.100 (2.54)	1.1250-.067P-.2L-TS-2A
20	1.850	M34 X 1-6g-.100R	1.760 (44.70)	1.252 (31.80)	0.128 (3.25)	1.250-.067P-.2L-TS-2A
22	2.010	M37 X 1-6g-.100R	1.913 (48.59)	1.369 (34.77)	0.128 (3.25)	1.3750-.067P-.2L-TS-2A
24	2.195	M41 X 1-6g-.100R	2.070 (52.58)	1.509 (38.33)	0.128 (3.25)	1.5000-.067P-.2L-TS-2A



RECOMMENDED MOUNTING HOLE DIMENSIONS

Recommended Mounting Hole

Shell Size	M	N
	+ .005 (0.13) 0.000 (0.00)	+ .005 (0.13) 0.00 (0.00)
10	0.318 (8.08)	0.719 (18.26)
14	0.443 (11.25)	0.955 (24.26)
16	0.505 (12.83)	1.073 (27.25)
18	0.568 (14.43)	1.192 (30.28)
20	0.630 (16.00)	1.349 (34.26)
22	0.693 (17.60)	1.467 (37.26)
24	0.755 (19.18)	1.624 (41.25)

PC Tail Diameter

CONTACT SIZE	PC Tail
22	Ø .020
El Ochito Signal	Ø .016
El Ochito Ground	.030 Sq.

Series 806 Mil-Aero Connectors

806-043 Lightweight Hermetic PCB Receptacle with El Ochito Contacts

El Ochito Mating Contact		
PART NUMBER	PROTOCOLS	
WHITE - PIN	858-045 Type I	10GBASE-T ETHERNET, CAT 6A 40GBASE-T ETHERNET, CAT 8
	858-051 Type II	10GBASE-T ETHERNET, CAT 6A 40GBASE-T ETHERNET, CAT 8
WHITE - SKT	858-046 Type I	10GBASE-T ETHERNET, CAT 6A 40GBASE-T ETHERNET, CAT 8
	858-052 Type II	10GBASE-T ETHERNET, CAT 6A 40GBASE-T ETHERNET, CAT 8
BLUE - PIN	858-047	USB 3.0, OTHER 90 OHM SIGNALS
BLUE - SKT	858-048	USB 3.0, OTHER 90 OHM SIGNALS
RED - PIN	858-049	HDMI, DISPLAYPORT, SATA, OTHER 100 OHM SIGNALS
RED - SKT	858-050	HDMI, DISPLAYPORT, SATA, OTHER 100 OHM SIGNALS

El Ochito Protocols		
WHITE	BLUE	RED
10GBASE-T	USB 3.0	HDMI, SATA, DisplayPort

The Ochito octaxial contact has a color-coded insulator signifying the data protocol. White is used for 10 Gb Ethernet, blue is used for USB 3.0, and red is used for multi gigabit 100 ohm protocols including HDMI, DisplayPort and SATA. The connector part number includes a protocol code from Table III. This code determines specific contact position for every combination of protocol.



Example
Code E7

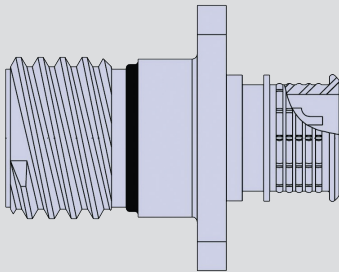


Example
Code E5

Table III: Protocol Code for El Ochito Contact Positons B = Blue, R = Red, W = White								
SYMBOL	Contact							
	A	B	C	D	E	F	G	H
E	W	W	W	W	W	W	W	W
E2	B	W	W	W	W	W	W	W
E3	R	W	W	W	W	W	W	W
E4	B	B	W	W	W	W	W	W
E5	R	B	W	W	W	W	W	W
E6	R	R	W	W	W	W	W	W
E7	B	B	B	W	W	W	W	W
E8	R	B	B	W	W	W	W	W
E9	R	R	B	W	W	W	W	W
E10	R	R	R	W	W	W	W	W
E11	B	B	B	B	W	W	W	W
E12	R	B	B	B	W	W	W	W
E13	R	R	B	B	W	W	W	W
E14	R	R	R	B	W	W	W	W
E15	R	R	R	R	W	W	W	W
E16	B	B	B	B	B	W	W	W
E17	R	B	B	B	B	W	W	W
E18	R	R	B	B	B	W	W	W
E19	R	R	R	B	B	W	W	W
E20	R	R	R	R	B	W	W	W
E21	R	R	R	R	R	W	W	W
E22	B	B	B	B	B	B	W	W
E23	R	B	B	B	B	B	W	W
E24	R	R	B	B	B	B	W	W
E25	R	R	R	B	B	B	W	W
E26	R	R	R	R	B	B	W	W
E27	R	R	R	R	R	B	W	W
E28	R	R	R	R	R	R	W	W
E29	B	B	B	B	B	B	B	W
E30	R	B	B	B	B	B	B	W
E31	R	R	B	B	B	B	B	W
E32	R	R	R	B	B	B	B	W
E33	R	R	R	R	B	B	B	W
E34	R	R	R	R	R	B	B	W
E35	R	R	R	R	R	R	B	W
E36	R	R	R	R	R	R	R	W
E37	B	B	B	B	B	B	B	B
E38	R	B	B	B	B	B	B	B
E39	R	R	B	B	B	B	B	B
E40	R	R	R	B	B	B	B	B
E41	R	R	R	R	B	B	B	B
E42	R	R	R	R	R	B	B	B
E43	R	R	R	R	R	R	B	B
E44	R	R	R	R	R	R	R	B
E45	R	R	R	R	R	R	R	R



806-100 Solder Cup with Accessory Thread or Banding Porch Rear Attachment Receptacle



Lightweight aluminum Hermetic. with higher current rating. 806-100 aluminum hermetic receptacles are lighter than stainless steel glass-to-metal hermetic connectors. Copper alloy contacts have lower resistance and higher current rating than iron alloy contacts used in standard hermetics. A signature sealing process delivers reliable hermetic performance at extreme temperatures. Hermeticity is 1E-7 cm³/sec at 1 ATM pressure differential. Connector provides solder cup termination with accessory threads or banding porch. Ideal for harsh environment aerospace applications subject to severe wind, moisture and vibration.

How To Order	
Sample Part Number	806-100 -07 MA 8-7 P -B A
Series	806-100 Code Red Receptacle with Accessory Thread or Banding Porch options with Solder Cup Termination
Mounting Type	02 = Box Mount 13 = Weld Mount 07 = Jam-Nut Mount
Material/Finish	See Material/Finish table
Shell Size - Insert Arr.	See Insert Arrangement table
Contact Type	P = Pin S = Socket
Rear Attachment Style	B = Banding Porch (Terminate Shield With Glenair Nano Band) T = Accessory Threads
Polarization	A, B, C, D, E or F

Material/Finish		
Sym	Material/Finish	Temp. Range
AB	Marine Bronze, None (Clean Only)	
MA	Aluminum Alloy, Electroless Nickel, Matte Finish	-65°C to +200°C
ME	Aluminum Alloy, Electroless Nickel	
NF	Aluminum Alloy, Cad/O.D. Over Electroless Nickel	
ZN	Aluminum Alloy, Zinc Ni, Olive Drab	-65°C to +175°C
ZR	Aluminum Alloy, Zinc Ni, Black (Tri-Valent Cr)	

Shell Size - Insert Arrangement																	
Contact Layout	Number of Contacts					Contact Layout	Number of Contacts					Contact Layout	Number of Contacts				
	22HD	20HD	16	12	8		22HD	20HD	16	12	8		22HD	20HD	16	12	8
7-3	3					22-69		69				16-2				2	
8-4	4					24-92		92				18-3				3	
8-7	7					8-1			1			20-4				4	
9-11	11					10-2			2			22-5				5	
10-15	15					11-4			4			24-8				8	
11-19	19					12-5			5			10-8A	6		2		
12-26	26					14-7			7			11-13	11		2		
14-39	39					16-12			12			12-27	26		1		
16-60	60					18-15			15			14-21	17		4		
18-85	85					20-22			22			16-41	37		4		
20-110	110					22-24			24			18-59	55		4		
22-140	140					24-35			35			11-14	13			1	
24-186	186					9-1			1			14-22	20			2	
8-3		3				12-2			2			12-14	12			2	
9-5		5				14-3			3			16-42	40			2	
10-8		8				16-4			4			18-62	60			2	
11-10		10				16-7			7			14-20A	19			1	
12-15		15				18-8			8			16-22	20			2	
14-20		20				20-11			11			18-21	18			3	
16-31		31				22-13			13			20-28	24			4	
18-41		41				24-19			19			22-44	40			4	
20-55		55				10-1			1			24-97	93			4	

NOTES

- Material / finish:
 - Shells & jam-nut: al alloy / per p/n dev
 - Insulator: high grade rigid dielectric / N.A.
 - O-ring & seals: fluorosilicone / N.A.
 - Contacts: copper alloy / gold plated
 - Sealing compound: polymer encapsulant
- Performances:
 - Operation temperature range: see Material/Finish table
 - Leak rate: 1 x 10⁻⁷ cc/s max helium, 1 atm.
 - I.R.: 5,000 megohms min at room temperature
 - DWV (contact size):
 - 22HD - 1300 VAC
 - 20HD - 1800 VAC
 - Others - consult factory
- Assembly to be identified with glenair name and/or cage code, part number, and date code (space permitting).
- 806-067 Receptacles mate with Glenair 806 style plug connectors with same size, arrangement, polarization, and opposite contact gender.
- This connector meets all performance of Glenair product spec 806-014 and applies to all finishes.

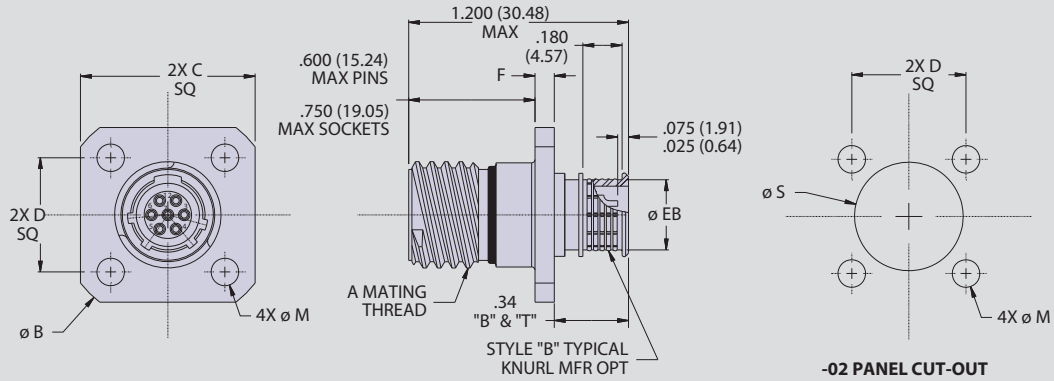
SERIES 806 CODE RED CONNECTORS

SERIES 806 Mil-Aero Code Red Hermetic Connectors



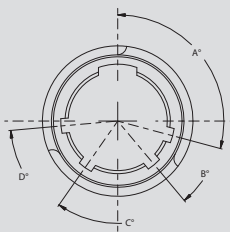
806-100 Solder Cup with Accessory Thread or Banding Porch Rear Attachment Receptacle

806-100-02 CODE RED BOX MOUNT HERMETIC RECEPTACLE



Dimensions								
Shell Sizes	"A" Thread Mating	"Ø B" Max Flange	"C" Square Max Flange Flats	"D" Square Bsc Mounting Holes	"Ø Eb" ±.005 Banding Porch	"F" Max Flange	"Ø M" Thru Mtg Holes	"Ø S" Thru
7	.4375-.067P-.2L-TS-2A	0.968 (24.59)	0.750 (19.05)	0.469 (11.91)	0.265 (6.73)	0.100 (2.54)	0.128 (3.25)	0.445 (11.30)
8	.5000-.067P-.2L-TS-2A	1.040 (26.42)	0.822 (20.88)	0.531 (13.49)	0.327 (8.31)			0.509 (12.93)
9	.5625-.067P-.2L-TS-2A	1.130 (28.70)	0.885 (22.48)	0.594 (15.09)	0.406 (10.31)			0.577 (14.66)
10	.6250-.067P-.2L-TS-2A	1.174 (29.82)	0.913 (23.19)	0.625 (15.88)	0.484 (12.29)			0.645 (16.38)
11	.6875-.067P-.2L-TS-2A	1.240 (31.50)	0.960 (24.38)	0.670 (17.02)	0.524 (13.31)			0.712 (18.08)
12	.7500-.067P-.2L-TS-2A	1.354 (34.39)	1.040 (26.42)	0.765 (19.43)	0.603 (15.32)			0.768 (19.51)
14	.8750-.067P-.2L-TS-2A	1.510 (38.35)	1.133 (28.78)	0.859 (21.82)	0.681 (17.30)			0.890 (22.61)
16	1.0000-.067P-.2L-TS-2A	1.620 (41.15)	1.227 (31.17)	0.938 (23.83)	0.782 (19.86)			1.015 (25.78)
18	1.1250-.067P-.2L-TS-2A	1.784 (45.31)	1.320 (33.53)	1.016 (25.81)	0.899 (22.83)			1.125 (28.58)
20	1.2500-.067P-.2L-TS-2A	1.910 (48.51)	1.444 (36.68)	1.109 (28.17)	1.043 (26.49)	0.125 (3.18)	0.154 (3.91)	1.275 (32.39)
22	1.3750-.067P-.2L-TS-2A	2.083 (52.91)	1.570 (39.88)	1.203 (30.56)	1.155 (29.34)	0.125 (3.18)	0.154 (3.91)	1.400 (35.56)
24	1.5000-.067P-.2L-TS-2A	2.200 (55.88)	1.696 (43.08)	1.312 (33.32)	1.273 (32.33)	0.125 (3.18)	0.154 (3.91)	1.525 (38.73)

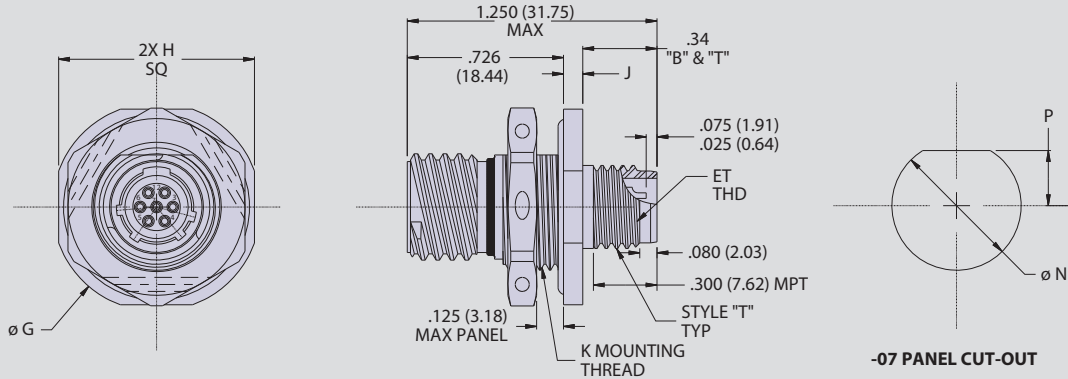
Polarization Key Code



POS	A°	B°	C°	D°
A	105°	140°	215°	265°
B	102°	170°	248°	305°
C	80°	150°	230°	295°
D	68°	140°	205°	275°
E	64°	155°	234°	304°
F	72°	120°	200°	298°

SERIES 806 CODE RED CONNECTORS

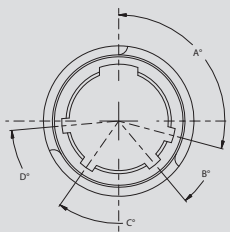
806-100-07 CODE RED JAM-NUT MOUNT HERMETIC RECEPTACLE



Dimensions								
Shell Sizes	"A" Thread Mating	"ET" Accessory Threads -0.100R	"Ø G" Max Flange	"H" Square Max Flange Flats	"J" Max Flange	"K" Thread Mounting	"Ø N" +.005/- .000 Mounting Hole	"P" +.005/- .000 Mounting Flat
7	.4375-.067P-.2L-TS-2A	M8 X 1.0-6g	0.848 (21.54)	0.908 (23.06)	0.100 (2.54)	M13 X 1-6g-.100R	0.522 (13.26)	0.224 (5.69)
8	.5000-.067P-.2L-TS-2A	M10 X 1.0-6g	0.980 (24.89)	0.920 (23.37)		M15 X 1-6g .100R	0.601 (15.27)	0.256 (6.50)
9	.5625-.067P-.2L-TS-2A	M12 X 1.0-6g	1.040 (26.42)	0.980 (24.89)		M16 X 1-6g .100R	0.640 (16.26)	0.287 (7.29)
10	.6250-.067P-.2L-TS-2A	M14 X 1.0-6g	1.110 (28.19)	1.050 (26.67)		M18 X 1-6g .100R	0.719 (18.26)	0.318 (8.08)
11	.6875-.067P-.2L-TS-2A	M15 X 1.0-6g	1.160 (29.46)	1.110 (28.19)		M19 X 1-6g .100R	0.759 (19.28)	0.350 (8.89)
12	.7500-.067P-.2L-TS-2A	M17 X 1.0-6g	1.230 (31.24)	1.170 (29.72)		M21 X 1-6g .100R	0.837 (21.26)	0.381 (9.68)
14	.8750-.067P-.2L-TS-2A	M19 X 1.0-6g	1.360 (34.54)	1.320 (33.53)		M24 X 1-6g .100R	0.955 (24.26)	0.443 (11.25)
16	1.0000-.067P-.2L-TS-2A	M22 X 1.0-6g	1.515 (38.48)	1.444 (36.68)		M27 X 1-6g .100R	1.073 (27.25)	0.505 (12.83)
18	1.1250-.067P-.2L-TS-2A	M25 X 1.0-6g	1.610 (40.89)	1.570 (39.88)		M30 X 1-6g .100R	1.192 (30.28)	0.568 (14.43)
20	1.2500-.067P-.2L-TS-2A	M28 X 1.0-6g	1.850 (46.99)	1.760 (44.70)		0.128 (3.25)	M34 X 1-6g .100R	1.349 (34.26)
22	1.3750-.067P-.2L-TS-2A	M31 X 1.0-6g	2.010 (51.05)	1.913 (48.59)	M37 X 1-6g .100R		1.467 (37.26)	0.693 (17.60)
24	1.5000-.067P-.2L-TS-2A	M34 X 1.0-6g	2.195 (55.75)	2.070 (52.58)	M41 X 1-6g .100R		1.624 (41.25)	0.755 (19.18)

SERIES 806 CODE RED CONNECTORS

Polarization Key Code



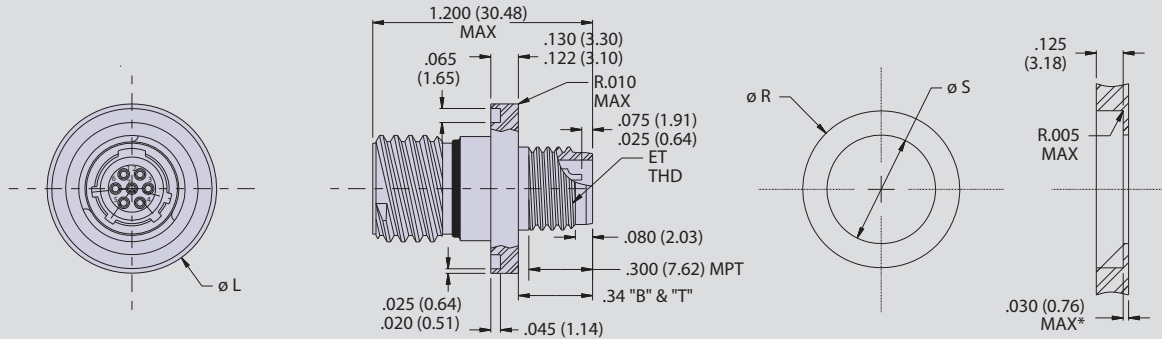
POS	A°	B°	C°	D°
A	105°	140°	215°	265°
B	102°	170°	248°	305°
C	80°	150°	230°	295°
D	68°	140°	205°	275°
E	64°	155°	234°	304°
F	72°	120°	200°	298°

SERIES 806 Mil-Aero Code Red Hermetic Connectors



806-100 Solder Cup with Accessory Thread or Banding Porch Rear Attachment Receptacle

806-100-13 CODE RED WELD MOUNT HERMETIC RECEPTACLE

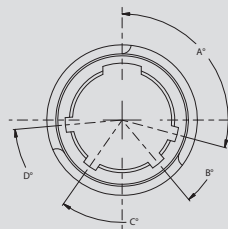


-13 PANEL CUT-OUT

* IF THICKER THAN .030 COUNTERBORE IS REQUIRED FOR BACKSHELL NUT

Dimensions					
Shell Sizes	"A" Thread Mating	"ET" Accessory Threads -0.100R	" ϕL " $\pm .002$ Flange	" ϕR " $\pm .002$ MTG Hole	" ϕS " Thru
7	.4375-.067P-.2L-TS-2A	M8 X 1.0-6g	0.725 (18.42)	0.730 (18.54)	0.445 (11.30)
8	.5000-.067P-.2L-TS-2A	M10 X 1.0-6g	0.788 (20.02)	0.793 (20.14)	0.509 (12.93)
9	.5625-.067P-.2L-TS-2A	M12 x 1.0-6g	0.912 (23.16)	0.917 (23.29)	0.577 (14.66)
10	.6250-.067P-.2L-TS-2A	M14 X 1.0-6g	0.975 (24.76)	0.980 (24.89)	0.645 (16.38)
11	.6875-.067P-.2L-TS-2A	M15 X 1.0-6g	1.038 (26.37)	1.043 (26.49)	0.712 (18.08)
12	.7500-.067P-.2L-TS-2A	M17 X 1.0-6g	1.100 (27.94)	1.105 (28.07)	0.768 (19.51)
14	.8750-.067P-.2L-TS-2A	M19 X 1.0-6g	1.225 (31.12)	1.230 (31.24)	0.890 (22.61)
16	1.0000-.067P-.2L-TS-2A	M22 X 1.0-6g	1.350 (34.29)	1.355 (34.42)	1.015 (25.78)
18	1.1250-.067P-.2L-TS-2A	M25 X 1.0-6g	1.475 (37.47)	1.480 (37.59)	1.125 (28.58)
20	1.2500-.067P-.2L-TS-2A	M28 X 1.0-6g	1.600 (40.64)	1.605 (40.77)	1.275 (32.39)
22	1.3750-.067P-.2L-TS-2A	M31 X 1.0-6g	1.725 (43.82)	1.730 (43.94)	1.400 (35.56)
24	1.5000-.067P-.2L-TS-2A	M34 X 1.0-6g	1.850 (46.99)	1.855 (47.12)	1.525 (38.73)

Polarization Key Code



POS	A°	B°	C°	D°
A	105°	140°	215°	265°
B	102°	170°	248°	305°
C	80°	150°	230°	295°
D	68°	140°	205°	275°
E	64°	155°	234°	304°
F	72°	120°	200°	298°

SERIES 806 CODE RED CONNECTORS



SERIES 240-806

EMI/EMP Filter Connectors



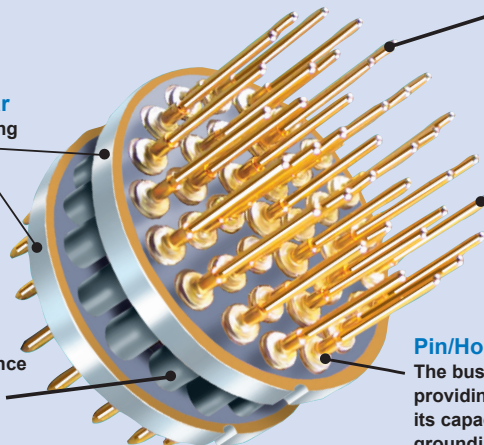
- Planar, multilayer ceramic capacitive filters, with and without transient voltage suppression diodes
- C and Pi electrical configurations
- PC tail or solder cup wire termination
- 35 – 240,000 pF capacitance
- Fast and reliable diode burn-in and test services
- Turnkey in-house manufacturing of all filter connector elements and processes

Glenair Series 806 filter connectors for use in EMC/EMP management of electronic systems and interconnect cabling. 806 filter connectors are designed in accordance with applicable connector specifications, and are designed to mate with plugs with the same insert configuration and opposite contact gender. Planar filter arrays and TVS diodes may be integrated into both standard catalog as well as build-to-order configurations. Glenair’s state-of-the-art diode burn-in process tests leaded and surface mount diodes with leakage current monitored throughout the entire test procedure ensuring field reliability.

Filter Module Elements

Multilayer Ceramic Planar Array: Containing a network of capacitors, feedthrus and ground lines.

Inductors: Ferrite Beads to provide inductance and increase insertion loss



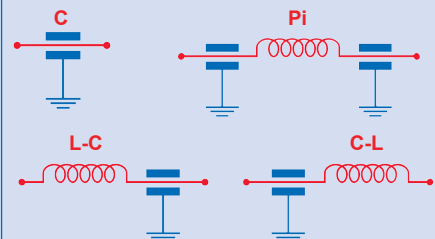
Contact Types: Choose from Solder Cup or PC Tail (Consult Factory for PC Tail Length Options).

Contact Material: Gold Plated Copper Alloy.

Pin/Hole Intersection: The business-end of the filter, providing each contact with its capacitance value and grounding.

Filter Types

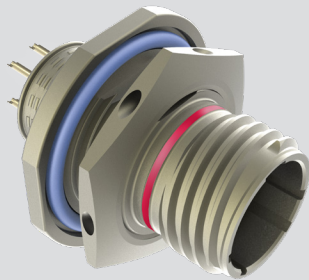
- C** Single capacitor with low self inductance
- LC, CL** Single capacitor combined with an inductive element
- Pi** Dual capacitors with a single inductive element positioned between.



Series 806 Mil-Aero Connectors



240-806-07, 240-806-08 Receptacles, Jam-nut, Solder Cup or PC Tail



Features

- Ceramic planar filter array
- Solder cup or PC tail contacts
- High density #20HD and #22HD arrangements for reduced size and weight plus size #16, #12, #8 standard and hybrid layouts
- Aerospace-grade materials, construction

Specifications

- Operating temperature: -55°C to +125°C
- Dielectric withstanding voltage: 300 VDC
- Current rating
#20HD contacts: 5 A max.
#22HD contacts: 3 A max.
#16 contacts: contact factory
#12 contacts: contact factory
#8 contacts: contact factory
- Mating durability: 500 cycles

Connector Construction

- Shell, jam-nut: aluminum or stainless steel
- Contacts: copper alloy, gold plated
- Seals: fluorosilicone
- Insulator: high grade rigid dielectric

Table 2 Capacitance Class		
Capacitance Range (pF)		
Filter Type		
Class	P (Pi-Section)	C, L, M (C, L-C, C-L)
A	38,000 - 56,000	19,000 - 28,000
B	32,000 - 45,000	16,000 - 22,500
C	18,000 - 33,000	9,000 - 16,500
D	8,000 - 12,000	4,000 - 6,000
E	3,300 - 5,000	1,650 - 2,500
F	800 - 1,300	400 - 650
G	400 - 600	200 - 300
J	70 - 120	35 - 60

Ceramic planar array C and Pi filters. PC tail or solder cup contacts. 240-806 filtered receptacles strip line signals of unwanted RF or HRF noise. Suitable for areas subject to high vibration, altitude, and moisture. Operating temperature of -55°C to +125°C.

How To Order									
SAMPLE PART NUMBER		240-806	-07	ME	8-7	PS	C	B	A
Product	240-806 = Filtered Receptacle								
Mounting Type	07 = Jam-nut with Solder Cup Contacts and NanoBand Platform 08 = Jam-nut with PC Tail Contacts*								
Shell Material and Finish	ME = Aluminum, Electroless Nickel MT = Aluminum, Ni/PTFE ZR = Aluminum, Black Zinc-Nickel NF = Aluminum, Olive Drab Cadmium Z1 = Stainless Steel, Passivated								
Arrangement Number	See Table 1 (Shell Size - Insert Arr.)								
Contact Type	PP = Pin, PC Tail (mounting type 08 only) PS = Pin, Solder Cup (mounting type 07 only) SP = Socket, PC Tail (mounting type 08 only) SS = Socket, Solder Cup (mounting type 07 only)								
Filter Type (Table 3)	P = Pi Filter C = C Filter L = L - C Filter M = C - L Filter								
Capacitance Class (Table 2)	A B C D E F G J								
Polarizing Position	A B C D E F								

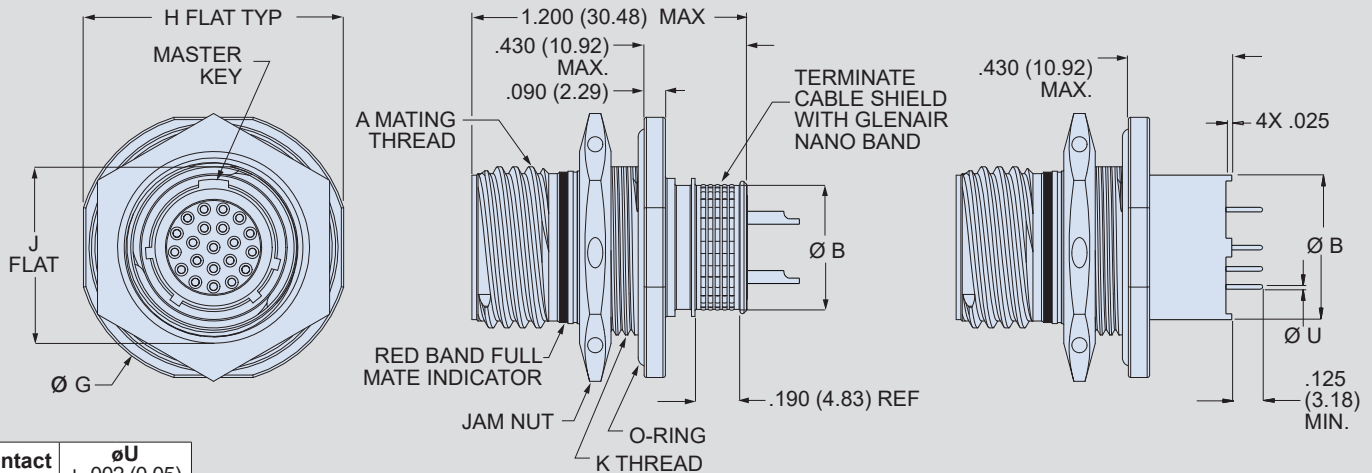
* PC-tail contact versions are parylene-compatible

Table 1: Shell Size - Insert Arrangement																	
Contact Layout	Number of Contacts					Contact Layout	Number of Contacts					Contact Layout	Number of Contacts				
	22HD	20HD	16	12	8		22HD	20HD	16	12	8		22HD	20HD	16	12	8
7-3	3					22-69		69				18-3					3
8-4	4					24-92		92				20-4					4
8-7	7					8-1			1			22-5					5
9-11	11					10-2			2			24-8					8
10-15	15					11-4			4			10-8A	6		2		
11-19	19					12-5			5			11-13	11		2		
12-26	26					14-7			7			12-27	26		1		
14-39	39					16-12			12			14-21	17		4		
16-60	60					18-15			15			16-41	37		4		
18-85	85					20-22			22			18-59	55		4		
20-110	110					22-24			24			11-14	13			1	
22-140	140					24-35			35			12-14	12			2	
24-186	186					9-1				1		14-22	20			2	
8-3		3				12-2				2		16-32	28			4	
9-5		5				14-3				3		16-42	40			2	
10-8		8				16-4				4		18-62	60			2	
11-10		10				16-7				7		14-20A	19				1
12-15		15				18-8				8		16-22	20				2
14-20		20				20-11				11		18-21	18				3
16-31		31				22-13				13		20-28	24				4
18-41		41				24-19				19		22-44	40				4
20-55		55				10-1					1	24-97	93				4
						16-2					2						

Series 806 Mil-Aero Connectors



240-806-07, 240-806-08 Receptacles, Jam-nut, Solder Cup or PC Tail



Contact Size	øU	
	±.002 (0.05)	
	In.	mm.
#20	.026	0.66
#22	.020	0.51

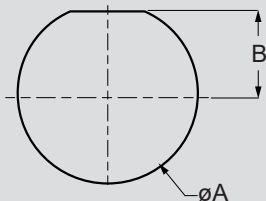
SHELL STYLE 07
JAM NUT RECEPTACLE
NANOBAND PLATFORM, SOLDER CUP CONTACTS

SHELL STYLE 08
JAM NUT RECEPTACLE
PCB CONTACTS

240-806 Receptacle Dimensions

Shell Size	A Mating Thread	øB	øG Max	H Max	J Flat	K Thd x1.0-6g-0.100R
7	..4375-.067P-.2L-TS-2A	.365 (9.27)	.908 (23.06)	.848 (21.54)	.463 (11.76)	M13
8	.5000-.067P-.2L-TS-2A	.424 (10.77)	.980 (24.89)	.920 (23.37)	.536 (13.61)	M15
9	.5625-.067P-.2L-TS-2A	.464 (11.79)	1.040 (26.42)	.980 (24.89)	.587 (14.91)	M16
10	.6250-.067P-.2L-TS-2A	.584 (14.83)	1.110 (28.19)	1.050 (26.67)	.658 (16.71)	M18
11	.6875-.067P-.2L-TS-2A	.619 (15.72)	1.160 (29.46)	1.110 (28.19)	.709 (18.01)	M19
12	.7500-.067P-.2L-TS-2A	.699 (17.75)	1.230 (31.24)	1.170 (29.72)	.779 (19.79)	M21
14	.8750-.067P-.2L-TS-2A	.784 (19.91)	1.360 (34.54)	1.320 (33.53)	.900 (22.86)	M24
16	1.0000-.067P-.2L-TS-2A	.919 (23.34)	1.515 (38.48)	1.444 (36.68)	1.022 (25.96)	M27
18	1.1250-.067P-.2L-TS-2A	1.014 (25.76)	1.610 (40.89)	1.570 (39.88)	1.144 (29.06)	M30
20	1.2500-.067P-.2L-TS-2A	1.150 (29.21)	1.850 (46.99)	1.760 (44.70)	1.285 (32.64)	M34
22	1.3750-.067P-.2L-TS-2A	1.254 (31.85)	2.010 (51.05)	1.913 (48.59)	1.406 (35.71)	M37
24	1.5000-.067P-.2L-TS-2A	1.394 (35.41)	2.195 (55.75)	2.070 (52.58)	1.547 (39.29)	M41

240-806 Jam-nut D-Hole Dimensions



Shell Size	øA +.005/-0.00 (+0.13/-0.00)	B +.005/-0.00 (+0.13/-0.00)
7	.522 (13.26)	.224 (5.69)
8	.601 (15.27)	.256 (6.50)
9	.640 (16.26)	.287 (7.29)
10	.719 (18.26)	.318 (8.08)
11	.759 (19.28)	.350 (8.89)
12	.837 (21.26)	.381 (9.68)
14	.955 (24.26)	.443 (11.25)
16	1.073 (27.25)	.505 (12.83)
18	1.192 (30.28)	.568 (14.43)
20	1.349 (34.26)	.630 (16.00)
22	1.467 (37.26)	.693 (17.60)
24	1.624 (41.25)	.755 (19.18)

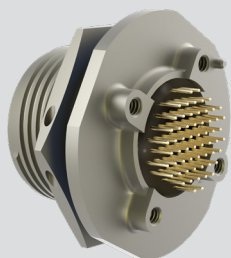
Table 3 Filter Types

<p>C</p> <p>Single capacitor with low self inductance</p>
<p>Pi</p> <p>Dual capacitors with a single inductive element positioned between</p>
<p>L-C</p> <p>Single capacitor and an inductive element</p>
<p>C-L</p> <p>Single capacitor and an inductive element</p>

Series 806 Mil-Aero Connectors



240-806-21 Receptacles, Jam-nut, PC Tail, Threaded Standoff



Ceramic planar array C and Pi filters. Jam-nut panel mounting. PC tail with board mounting flange. 240-806-21 filtered receptacles save size and weight compared to legacy aerospace-grade EMI/RFI filter connectors. These high-performance connectors are suitable for areas subject to high vibration, altitude, and moisture as well as temperature ranges from -55°C to +125°C. Size 20HD and size 22HD contacts. Board mounting flange has threaded standoffs and orientation post.

Features

- Ceramic planar filter array
- PC tail contacts
- High density #20HD and #22HD arrangements for reduced size and weight plus size #16, #12, #8 standard and hybrid layouts
- Aerospace-grade materials, construction

Specifications

- Operating temperature: -55°C to +125°C
- Dielectric withstanding voltage: 300 VDC
- Current rating
#20HD contacts: 5 A max.
#22HD contacts: 3 A max.
#16 contacts: contact factory
#12 contacts: contact factory
#8 contacts: contact factory
- Mating durability: 500 cycles

Connector Construction

- Shell, jam-nut: aluminum or stainless steel
- Contacts: copper alloy, gold plated
- Seals: fluorosilicone
- Insulator: high grade rigid dielectric

**Table 2
Capacitance Class**

Class	Capacitance Range (pF)	
	Filter Type	
	P (Pi-Section)	C, L, M (C, L-C, C-L)
A	38,000 - 56,000	19,000 - 28,000
B	32,000 - 45,000	16,000 - 22,500
C	18,000 - 33,000	9,000 - 16,500
D	8,000 - 12,000	4,000 - 6,000
E	3,300 - 5,000	1,650 - 2,500
F	800 - 1,300	400 - 650
G	400 - 600	200 - 300
J	70 - 120	35 - 60

How To Order

SAMPLE PART NUMBER	240-806-21	ME	8-7	PP	P	C	A
Product	240-806-21 = Filtered Receptacle, Board Mount						
Shell Material and Finish	ME = Aluminum, Electroless Nickel MT = Aluminum, Ni/PTFE ZR = Aluminum, Black Zinc-Nickel NF = Aluminum, Olive Drab Cadmium Z1 = Stainless Steel, Passivated						
Arrangement Number (Shell Size - Insert Arr.)	See Table 1						
Contact Type	PP = Pin, PC Tail SP = Socket, PC Tail						
Filter Type (Table 3)	P = Pi Filter C = C Filter L = L - C Filter M = C - L Filter						
Capacitance Class (Table 2)	A B C D E F G J						
Polarizing Position	A B C D E F; (see reference section for polarizing table)						

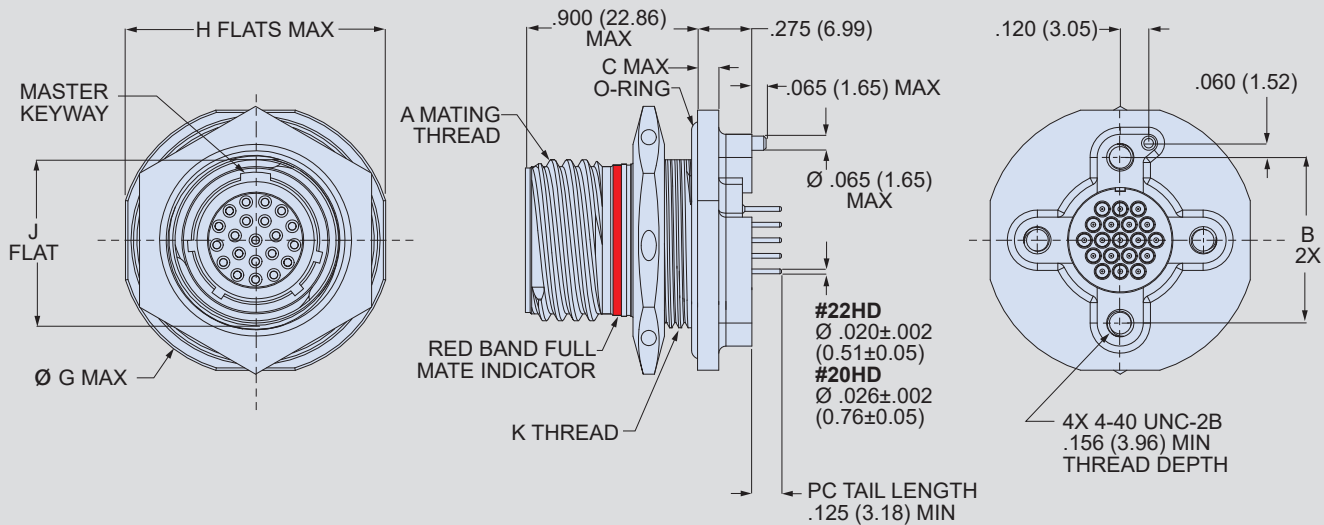
Table 1: Shell Size - Insert Arrangement

Contact Layout	Number of Contacts					Contact Layout	Number of Contacts					Contact Layout	Number of Contacts				
	22HD	20HD	16	12	8		22HD	20HD	16	12	8		22HD	20HD	16	12	8
7-3	3					22-69		69				18-3				3	
8-4	4					24-92		92				20-4				4	
8-7	7					8-1			1			22-5				5	
9-11	11					10-2			2			24-8				8	
10-15	15					11-4			4			10-8A	6		2		
11-19	19					12-5			5			11-13	11		2		
12-26	26					14-7			7			12-27	26		1		
14-39	39					16-12			12			14-21	17		4		
16-60	60					18-15			15			16-41	37		4		
18-85	85					20-22			22			18-59	55		4		
20-110	110					22-24			24			11-14	13			1	
22-140	140					24-35			35			12-14	12			2	
24-186	186					9-1				1		14-22	20			2	
8-3		3				12-2				2		16-32	28			4	
9-5		5				14-3				3		16-42	40			2	
10-8		8				16-4				4		18-62	60			2	
11-10		10				16-7				7		14-20A	19			1	
12-15		15				18-8				8		16-22	20			2	
14-20		20				20-11				11		18-21	18			3	
16-31		31				22-13				13		20-28	24			4	
18-41		41				24-19				19		22-44	40			4	
20-55		55				10-1					1	24-97	93			4	
						16-2					2						

Series 806 Mil-Aero Connectors



240-806-21 Receptacles, Jam-nut, PC Tail, Threaded Standoff



240-806-21 Receptacle Dimensions

Shell Size	A Mating Thread	B	C Max	ϕG Max	H Max	J Flat	K Thd x1.0-6g-0.100R
7	.4375-.067P-.2L-TS-2A	.489 (12.42)	.100 (2.54)	.908 (23.06)	.848 (21.54)	.463 (11.76)	M13
8	.5000-.067P-.2L-TS-2A	.534 (13.56)	.100 (2.54)	.980 (24.89)	.920 (23.37)	.536 (13.61)	M15
9	.5625-.067P-.2L-TS-2A	.579 (14.71)	.100 (2.54)	1.040 (26.42)	.980 (24.89)	.587 (14.91)	M16
10	.6250-.067P-.2L-TS-2A	.679 (17.25)	.100 (2.54)	1.110 (28.19)	1.050 (26.67)	.658 (16.71)	M18
11	.6875-.067P-.2L-TS-2A	.734 (18.64)	.100 (2.54)	1.160 (29.46)	1.110 (28.19)	.709 (18.01)	M19
12	.7500-.067P-.2L-TS-2A	.804 (20.42)	.100 (2.54)	1.230 (31.24)	1.170 (29.72)	.779 (19.79)	M21
14	.8750-.067P-.2L-TS-2A	.891 (22.63)	.100 (2.54)	1.360 (34.54)	1.320 (33.53)	.900 (22.86)	M24
16	1.0000-.067P-.2L-TS-2A	1.049 (26.64)	.100 (2.54)	1.515 (38.48)	1.444 (36.68)	1.022 (25.96)	M27
18	1.1250-.067P-.2L-TS-2A	1.148 (29.16)	.100 (2.54)	1.610 (40.89)	1.570 (39.88)	1.144 (29.06)	M30
20	1.2500-.067P-.2L-TS-2A	1.252 (31.80)	.128 (3.25)	1.850 (46.99)	1.760 (44.70)	1.285 (32.64)	M34
22	1.3750-.067P-.2L-TS-2A	1.369 (34.77)	.128 (3.25)	2.010 (51.05)	1.913 (48.59)	1.406 (35.71)	M37
24	1.5000-.067P-.2L-TS-2A	1.509 (38.33)	.128 (3.25)	2.195 (55.75)	2.070 (52.58)	1.547 (39.29)	M41

240-806-21 Jam-nut D-Hole Dimensions

Shell Size	ϕA +0.005/-0.00 (+0.13/-0.00)	B +0.005/-0.00 (+0.13/-0.00)
7	.522 (13.26)	.224 (5.69)
8	.601 (15.27)	.256 (6.50)
9	.640 (16.26)	.287 (7.29)
10	.719 (18.26)	.318 (8.08)
11	.759 (19.28)	.350 (8.89)
12	.837 (21.26)	.381 (9.68)
14	.955 (24.26)	.443 (11.25)
16	1.073 (27.25)	.505 (12.83)
18	1.192 (30.28)	.568 (14.43)
20	1.349 (34.26)	.630 (16.00)
22	1.467 (37.26)	.693 (17.60)
24	1.624 (41.25)	.755 (19.18)

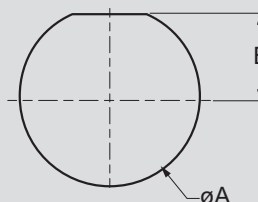


Table 3
Filter Types

C
Single capacitor with low self inductance



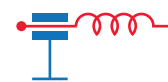
Pi
Dual capacitors with a single inductive element positioned between



L-C
Single capacitor and an inductive element



C-L
Single capacitor and an inductive element





Glenair signature high-speed Octaxial El Ochito contact series may be specified as discrete contacts or factory-wired jumpers and pigtails

HIGH-PERFORMANCE Contacts, Jumpers, and Pigtails for Series 806 Environmental Connectors

Glenair supplies a complete family of low-resistance, high-durability rear-release crimp contacts, jumpers, and pigtails for snap-in use in environmental versions of our Signature micro miniature Series 806 Mil-Aero. Our popular El Ochito octaxial contact family is available as discrete contacts or turnkey jumpers and pigtails for 10Gb Ethernet, SuperSpeed USB, SATA, HDMI, and other multi-gigabit data link protocols. We also supply and stock for immediate shipment all supported sizes of crimp signal contacts, power contacts, RF/Coaxial, differential Twinax, and Quadrax contacts. Environmental series 806 connectors may be specified with pin or socket contacts, or more commonly without included contacts for complete convenience in assembly of hybrid contact insert arrangements.

- El Ochito® octaxial contacts, jumpers, and pigtail assemblies
- Standard crimp signal contacts in size #22HD, #20HD, #12, #16
- Crimp-removable size #8 power contacts
- 50 and 75 ohm coax contacts
- High-frequency, spring-loaded microwave contacts
- Differential Twinax contacts for shielded twisted pair wiring
- Industry-standard Quadrax contacts



See our Series 806 tool section for complete selection of crimp contact assembly tooling

Series 806 Mil-Aero Connectors

Contacts, Jumpers, and Pigtails Selection Guide



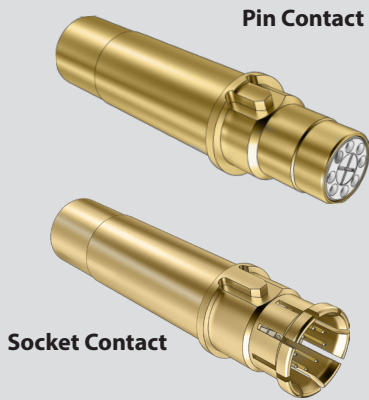
EL OCHITO SERIES AVAILABLE AS DISCRETE CONTACTS, SINGLE- AND DOUBLE-ENDED JUMPERS, AND COMMERCIAL CONNECTOR JUMPERS

El Ochito® White	El Ochito® Blue	El Ochito® Red
 <p data-bbox="228 688 509 716">1000BASE-T, 10GBASE-T</p>	 <p data-bbox="732 688 932 716">SuperSpeed USB</p>	 <p data-bbox="1149 688 1442 716">HDMI, DisplayPort, SATA</p>
<p data-bbox="149 722 586 842">El Ochito® White octaxial contacts provide 10GbE in a single size #8 contact cavity (compared to two Quadrax) for 100BASE-T solutions.</p>	<p data-bbox="613 722 1050 842"><i>Low-dielectric material. 90 ohms.</i> El Ochito® Blue octaxial contacts provide an aerospace-grade solution for SuperSpeed USB 3.0</p>	<p data-bbox="1078 722 1510 842"><i>Low-dielectric material. Up to 5 Gbps. 100 ohms.</i> El Ochito® Red octaxial contacts provide an aerospace-grade solution for multi-gigabit data rates.</p>

SIGNAL, POWER, COAX, RF, TWINAX, AND QUADRAX CONTACTS

 <p data-bbox="188 1182 380 1209">850-094/-095</p> <p data-bbox="155 1213 412 1266">Size 22HD Crimp Contacts for #22–30 wire</p>	 <p data-bbox="462 1182 654 1209">809-442/-443</p> <p data-bbox="427 1213 683 1266">Size 22HD Crimp Contacts for #20–24 wire</p>	 <p data-bbox="737 1182 928 1209">809-204/-205</p> <p data-bbox="701 1213 958 1266">Size 20HD Crimp Contacts for #20–24 wire</p>	 <p data-bbox="1011 1182 1203 1209">809-110/-111</p> <p data-bbox="976 1213 1232 1266">Size 16 Power Crimp Contacts for #16–20 wire</p>	 <p data-bbox="1286 1157 1477 1209">809-114/-115/-116/-117</p> <p data-bbox="1250 1213 1507 1266">Size 16 Coax Contacts for 50/75 Ohm Cable</p>
 <p data-bbox="188 1524 380 1551">809-112/-113</p> <p data-bbox="155 1556 412 1608">Size 12 Power Crimp Contacts for #12–14 wire</p>	 <p data-bbox="462 1493 654 1545">809-118/-119/-120/-121</p> <p data-bbox="427 1549 683 1602">Size 12 Coaxial Crimp Contacts for #12–14 wire</p>	 <p data-bbox="737 1493 928 1545">852-015/-016/-017/-018</p> <p data-bbox="701 1549 958 1602">Size 12 50 Ohm 3GHz Coax Contacts</p>	 <p data-bbox="1011 1524 1203 1551">852-103</p> <p data-bbox="976 1556 1232 1608">Size 12 75 Ohm High-Frequency Coax Contacts</p>	 <p data-bbox="1286 1524 1477 1551">850-158/-159</p> <p data-bbox="1250 1556 1507 1608">Size 8 Crimp-Removable Power Contacts</p>
 <p data-bbox="228 1871 347 1898">850-148</p> <p data-bbox="164 1902 407 1976">Size 8 50 Ohm Matched-Impedance Coaxial RF Contacts</p>	 <p data-bbox="462 1871 654 1898">852-150/-151</p> <p data-bbox="427 1902 683 1976">Size 8 Coaxial RF 75 Ohm Matched-Impedance Contacts</p>	 <p data-bbox="777 1902 896 1929">853-075</p> <p data-bbox="701 1934 958 1986">Size 8 Differential Twinax Contacts</p>	 <p data-bbox="1052 1902 1170 1929">854-048</p> <p data-bbox="976 1934 1232 1986">Size 8 Quadrax Contacts</p>	 <p data-bbox="1286 1902 1477 1929">850-144/-145</p> <p data-bbox="1250 1934 1507 1986">Size 22HD Thermocouple Contacts</p>

ENVIRONMENTAL, MICRO MINIATURE CIRCULAR
Series 806
Mil-Aero Connectors
El Ochito Contacts



El Ochito®

- Crimp termination
- Snap-in, rear release
- Aerospace-grade performance

The Octaxial Contact for 40Gb Ethernet, SuperSpeed USB and Multi-Gigabit Data Rates

El Ochito® contacts are intended for harsh environment military and aerospace data networks. These contacts have eight signal pins housed in a machined, gold plated outer contact. Crimp termination. Three versions – 40G Ethernet (“White”), SuperSpeed USB (“Blue”) and 100 ohm multi-gigabit (“Red”). El Ochito® contacts snap into Series 806 connectors. Supplied as unassembled kit with outer body, (8) inner contacts, shield crimp ferrule, insulators, and instruction sheet.

Size #8 El Ochito® Contacts for Series 806 Connectors

Cable Type	AWG	Cable Accommodated	Grommet Follower/ Boot	Cable Dia.	Pin Contact	Socket Contact	Assembly Instructions
10G and 40G Ethernet Protocol - El Ochito White - Type I and II							
Cat 6A S/UTP	26	963-003-26 (Glenair) E6A3826 (PIC)	687-754-8-8	.220 (5.56)	858-045-01F [Type I]	858-046-01F [Type I]	AI85151-01
Cat 6A S/FTP	26	963-033-26 (Glenair) RCN9047-26 (Gore)	687-754-8-8	.220 (5.56)	858-045-02F [Type I]	858-046-02F [Type I]	AI85151-02
Cat 6A S/FTP	28	963-033-28 (Glenair) RCN9034-28 (Gore)	687-754-8-4	.177 (4.50)	858-045-03F [Type I]	858-046-03F [Type I]	AI85151-03
Cat 8 S/FTP	26	963-132-26 (Glenair) RCN9047-26 (Gore)	687-754-8-8	.220 (5.56)	858-045-04F [Type I]	858-046-04F [Type I]	AI85151-04
Cat 8 S/FTP	26	963-135-26 (Glenair) E10026243 (Harbor Industries)	687-754-8-8	.220 (5.56)	858-045-05F [Type I]	858-046-05F [Type I]	AI85151-05
Cat 6A S/UTP	26	963-003-26 (Glenair) E6A3826 (PIC)	770-074S101W1	.220 (5.56)	858-051-01B [Type II]	858-052-01B [Type II]	AI85149-01
Cat 6A S/FTP	26	963-033-26 (Glenair) RCN9047-26 (Gore)	770-074S101W1	.220 (5.56)	858-051-02B [Type II]	858-052-02B [Type II]	AI85149-02
Cat 6A S/UTP	24	963-037-24 (Glenair) E6A3824 (PIC)	770-074S101W1	.260 (6.60)	858-051-03B [Type II]	858-052-03B [Type II]	AI85149-03
Cat 6A S/FTP	24	963-033-24 (Glenair) RCN9034-24 (Gore)	770-074S101W1	.260 (6.60)	858-051-04B [Type II]	858-052-04B [Type II]	AI85149-04
Cat 6A S/UTP	24	963-003-24 (Glenair) E6A0824 (PIC)	770-074S101W1	.280 (7.11)	858-051-05B [Type II]	858-052-05B [Type II]	AI85149-05
Cat 8 S/FTP	26	963-132-26 (Glenair) RCN9235-26 (Gore)	770-074S101W1	.220 (5.59)	858-051-06B [Type II]	858-052-06B [Type II]	AI85149-06
Cat 8 S/FTP	24	963-132-24 (Glenair) RCN9241-24 (Gore)	770-074S101W1	.260 (6.60)	858-051-07B [Type II]	858-052-07B [Type II]	AI85149-07
Cat 8 S/FTP	26	963-135-26 (Glenair) E10026243 (Harbor Industries)	770-074S101W1	.220 (5.59)	858-051-08B [Type II]	858-052-08B [Type II]	AI85149-08

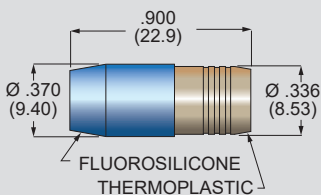
Size #8 El Ochito® Contacts for Series 806 Connectors

Cable Type	AWG	Cable Accommodated	Grommet Follower/ Boot	Cable Dia.	Pin Contact	Socket Contact	
USB 3.0 - El Ochito Blue - Type I and II							
USB 3.0 Commercial-Grade	#24 PWR/GND, #28 Data	963-118 (Glenair)	687-754-8-8	.217 (5.51)	858-047-01F [Type I]	858-048-01F [Type I]	AI85158-01
USB 3.0 Aerospace-Grade	#24 PWR/GND, #26 Data	963-110 (Glenair)	687-754-8-9	.236 (5.99)	858-047-02F [Type I]	858-048-02F [Type I]	AI85158-02
USB 3.0 Commercial-Grade	#24 PWR/GND, #28 Data	963-118 (Glenair)	770-074S101W1	.217 (5.51)	858-073-01B [Type II]	858-074-01B [Type II]	AI85158-01
USB 3.0 Aerospace-Grade	#24 PWR/GND, #26 Data	963-110 (Glenair)	770-074S101W1	.236 (5.99)	858-067-02B [Type II]	858-074-02B [Type II]	AI85158-02
HDMI, DisplayPort, SATA Protocol - El Ochito Red - Type I and II							
S/FTP	26	up to 1 Gbps 963-033-26 (Glenair)	687-754-8-8	.220 (5.59)	858-049-01F [Type I]	858-050-01F [Type I]	AI85151-02
S/FTP	26	up to 10 Gbps 963-122-1 (Glenair) Duraelectric Light	N/A	.299 (7.59)	858-049-01 [Type I]	858-050-01 [Type I]	AI85151-02
S/FTP	26	up to 10 Gbps 963-122-2 (Glenair) Polyurethane LSZH	N/A	.299 (7.59)	858-049-01 [Type I]	858-050-01 [Type I]	AI85151-02
S/FTP	26	up to 10 Gbps 963-122-3 (Glenair) FEP	N/A	.277 (7.04)	858-049-01 [Type I]	858-050-01 [Type I]	AI85151-02
SATA 3.0	24	963-133 (Glenair) RCN9062 (Gore)	687-754-8-8	.225 (5.71)	858-049-02F [Type I]	858-050-02F [Type I]	AI85160-01
S/FTP	26	up to 1 Gbps 963-033-26 (Glenair) RCN9047-26 (Gore)	770-074S101W1	.220 (5.59)	858-067-01B [Type I]	858-068-01B [Type I]	AI85149-02
S/FTP	24	up to 1 Gbps 963-033-24 (Glenair) RCN9034-24 (Gore)	770-074S101W1	.220 (5.59)	858-067-01B [Type I]	858-068-01B [Type I]	AI85149-04

Sealing Boot

"F" suffix in the part number indicates contact is supplied with grommet follower. To order less grommet, delete the "F" suffix.

687-754-8-4 = .175 diameter cable
687-754-8-8 = .220 diameter cable
687-754-8-9 = .237 diameter cable



Shrink Boot

"B" suffix in the part number indicates contact is supplied with sealing boot. suffix. 125° C zero halogen / hot melt adhesive. To order less boot, delete the "B"

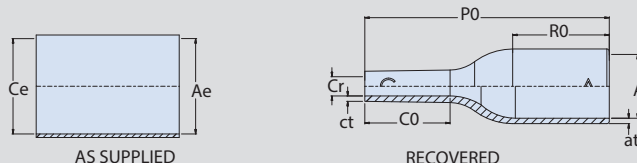


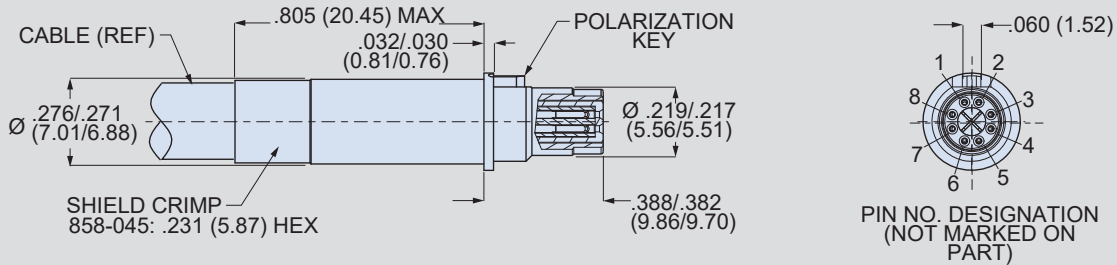
Table III

BOOT SIZE	GLENAIR US PART MARKING	Ae DIA MIN	Ce DIA MIN	Ar DIA MAX	at ±30%	Cr DIA MAX	ct ±20%	CO REF	PO ±10%	RO REF
01	01	.354 (9.0)	.354 (9.0)	.265 (6.7)	.023 (0.6)	.080 (2.0)	.023 (0.6)	.354 (9.0)	1.015 (25.8)	.401 (10.2)

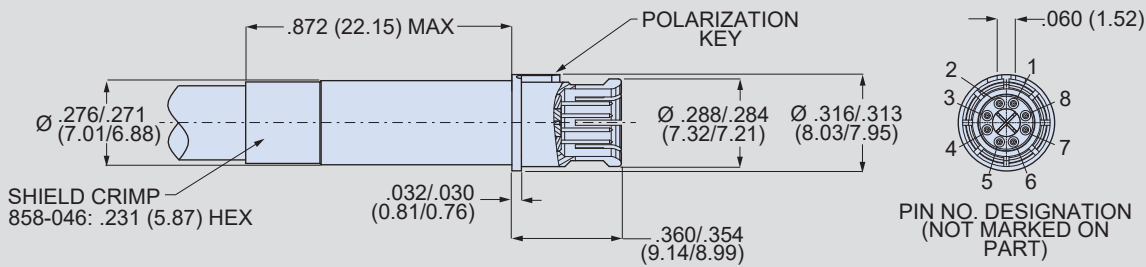
ENVIRONMENTAL, MICRO MINIATURE CIRCULAR
Series 806
Mil-Aero Connectors
 El Ocho Contacts



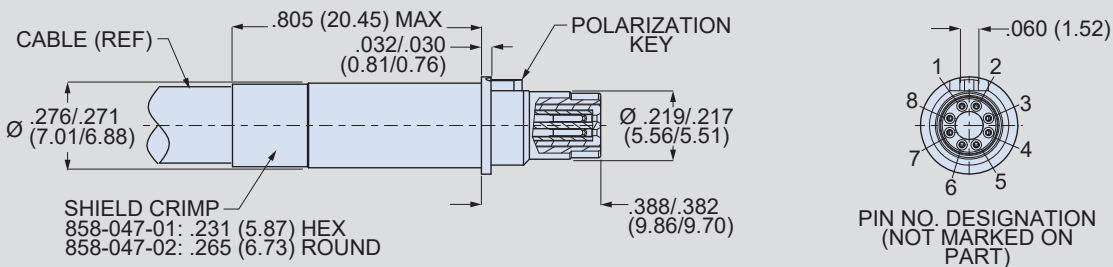
El Ocho® 858-045 White Type I Pin Contacts



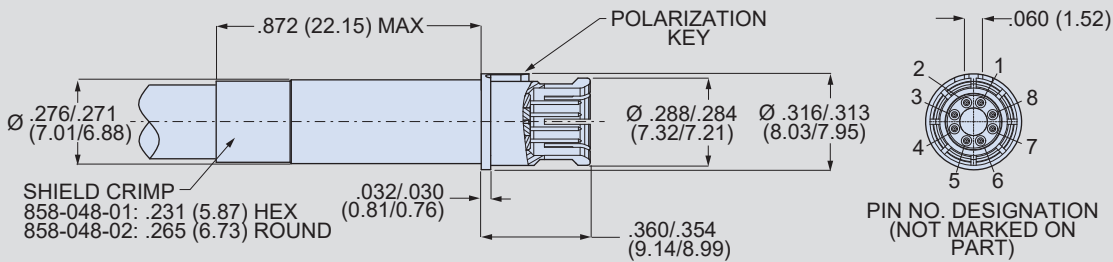
El Ocho® 858-046 White Type I Socket Contacts



El Ocho® 858-047 Blue Type I Pin Contacts



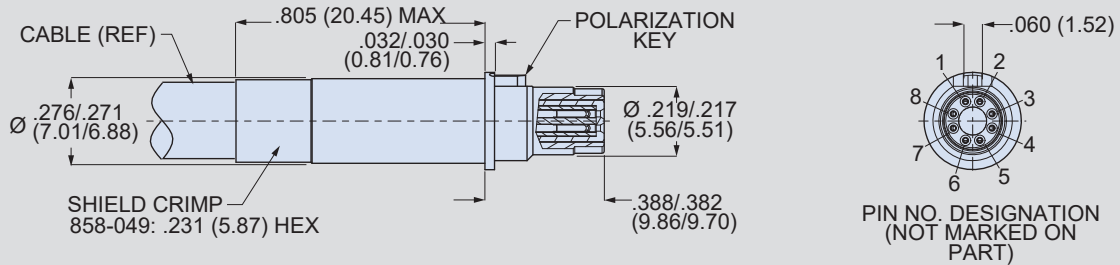
El Ocho® 858-048 Blue Type I Socket Contacts



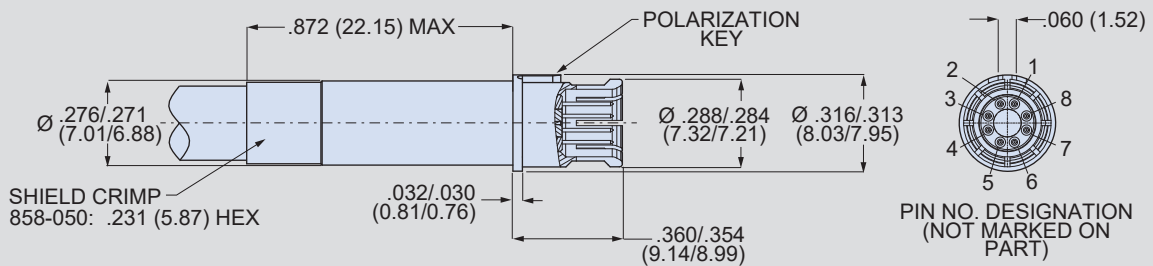
ENVIRONMENTAL, MICRO MINIATURE CIRCULAR
Series 806
Mil-Aero Connectors
 El Ochito Contacts



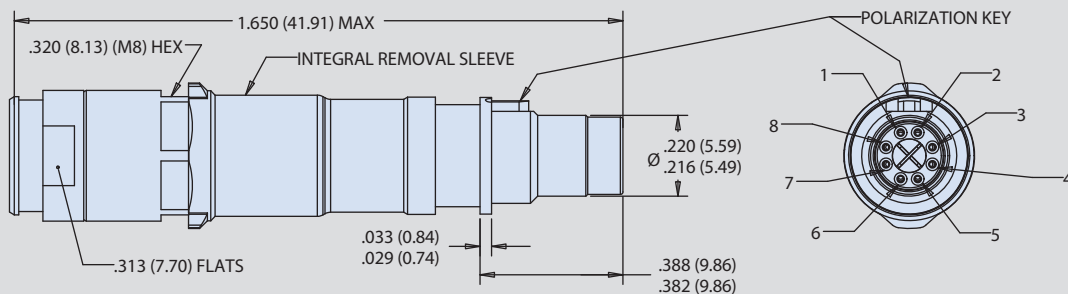
El Ochito® 858-049 Red Type I Pin Contacts



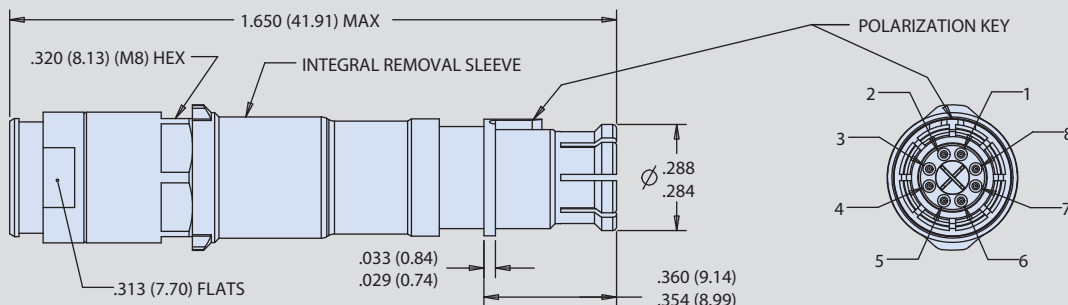
El Ochito® 858-050 Red Type I Socket Contacts



El Ochito® 858-051 White, 858-067 Red, and 858-073 Blue Type II Pin Contacts



El Ochito® 858-052 White, 858-068 Red, and 858-074 Blue Type II Socket Contacts



ENVIRONMENTAL, MICRO MINIATURE CIRCULAR

Series 806

Mil-Aero Connectors

El Ochito Contacts



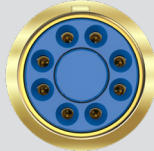
El Ochito® White



100BASE-T, 10GBASE-T, 40GBASE-T

El Ochito® White octaxial contacts provide 40GbE in a single size #8 contact cavity (compared to two Quadrax) for 100BASE-T solutions.

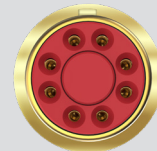
El Ochito® Blue



SuperSpeed USB

Low-dielectric material. 90 ohms. El Ochito® Blue octaxial contacts provide an aerospace-grade solution for SuperSpeed USB 3.0

El Ochito® Red

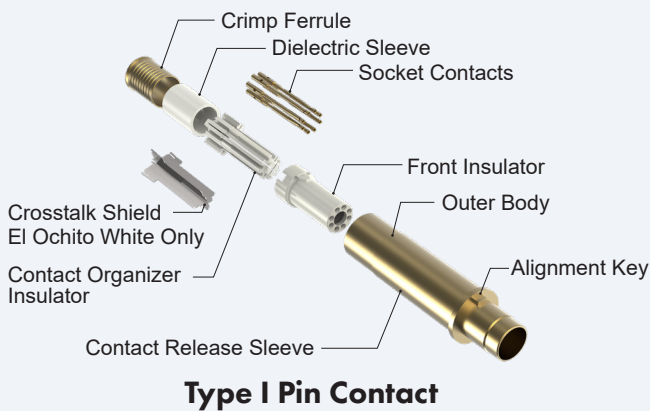


HDMI, DisplayPort, SATA

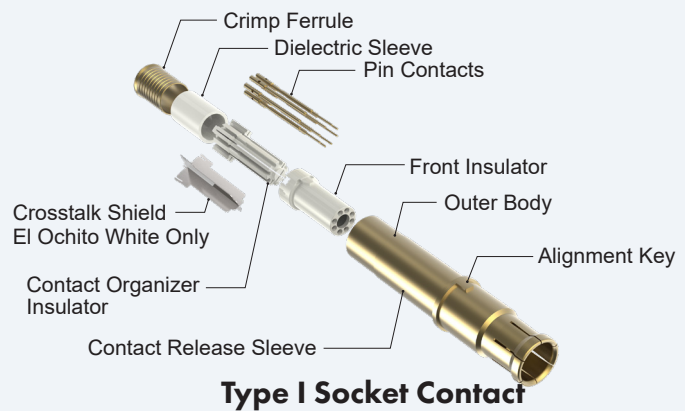
Low-dielectric material. Up to 10 Gbps. 100 ohms. El Ochito® Red octaxial contacts provide an aerospace-grade solution for multi-gigabit data rates.

El Ochito® Type I Contacts

26-28 AWG, Non-Serviceable, Crimp Wire Shield Termination



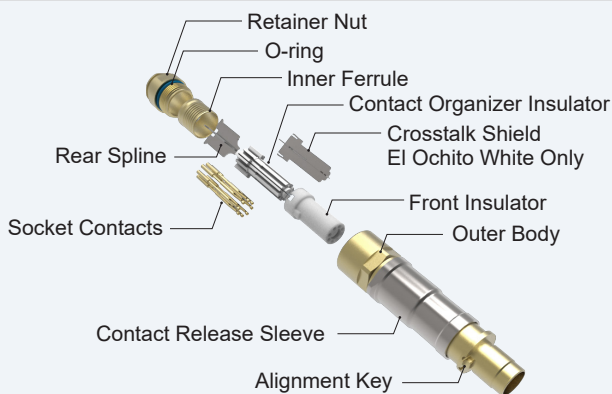
Type I Pin Contact



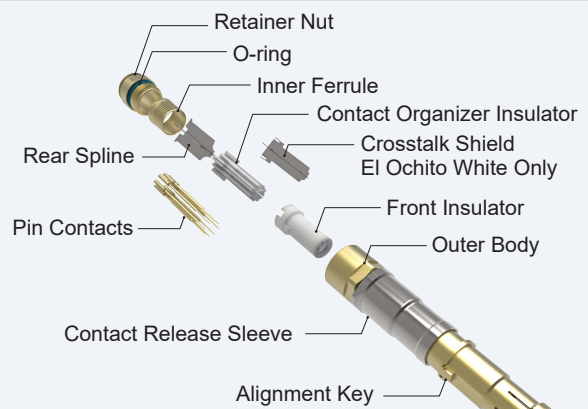
Type I Socket Contact

El Ochito® Type II Contacts

24-26 AWG, Serviceable, Threaded Wire Shield Termination, Integral Contact Release Sleeve



Type II Pin Contact



Type II Socket Contact

Series 806 Mil-Aero Connectors






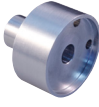


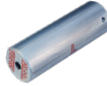

El Ochito Contacts



Technical Data

Specifications	Construction
<ul style="list-style-type: none"> ❑ Operating temperature: El Ochito®: -65° to +175°C Impedance: El Ochito® White: 100 ohms El Ochito® Blue: 90 ohms El Ochito® Red: 100 ohms ❑ Dielectric withstanding voltage: 500 Vac ❑ Current Rating: 1.5 A ❑ Insulation resistance: 5000 megohms min. ❑ Durability: 500 mating cycles ❑ Vibration: MIL-DTL-38999 Series III ❑ Shock: MIL-DTL-38999 Series III 	<ul style="list-style-type: none"> ❑ Inner contacts, outer contact, ferrules, retaining nut: copper alloy, 50 microinches gold over nickel plating ❑ Insulators: El Ochito® White: rigid dielectric, natural color El Ochito® Blue: low-dielectric constant thermoplastic, blue El Ochito® Red: low-dielectric constant thermoplastic, red ❑ O-ring: fluorosilicone ❑ Heatshrink tubing: PVDF ❑ Contact release sleeve: stainless steel, passivated ❑ Sealing boot grommet: fluorosilicone ❑ Sealing boot body: rigid thermoplastic, PEI or equivalent

Assembly Tools

Contact PN	Inner Contact Crimp		Cable Shield Hex Crimp		Cable Shield Round Crimp		Key Alignment Tool	Rear Ferrule Insertion Tool	Removal Tool
	Tool	Positioner	Tool	Hex Die	Tool	Positioner			
858-045	809-015	859-101	809-129	859-007	—	—	600-274	600-242	859-049
858-046	809-015	859-101	809-129	859-007	—	—	600-235	600-242	859-049
858-047-01	809-015	859-101	809-129	859-007	—	—	600-274	600-242	859-049
858-047-02	809-015	859-101	—	—	809-134	859-184	600-274	600-242	859-049
858-048-01	809-015	859-101	809-129	859-007	—	—	600-235	600-242	859-049
858-048-02	809-015	859-101	—	—	809-134	859-184	600-235	600-242	859-049
858-049	809-015	859-101	809-129	859-007	—	—	600-274	600-242	859-049
858-050	809-015	859-101	809-129	859-007	—	—	600-235	600-242	859-049
858-051	809-015	859-101	—	—	—	—	600-274	600-242	859-049
858-052	809-015	859-101	—	—	—	—	600-235	600-242	859-049
858-067	809-015	859-101	—	—	—	—	600-274	600-242	859-049
858-068	809-015	859-101	—	—	—	—	600-235	600-242	859-049
858-073	809-015	859-101	—	—	—	—	600-274	600-242	859-049
858-074	809-015	859-101	—	—	—	—	600-235	600-242	859-049
Tools	 809-015 (M22520/2-01)	 859-101 (K1906)	 809-129 (M22520/5-01)	 859-007 (M22520/5-45)	 859-134 (GS206)	 859-184	 600-235  600-274	 600-242	 859-049 (M81969/14-12)

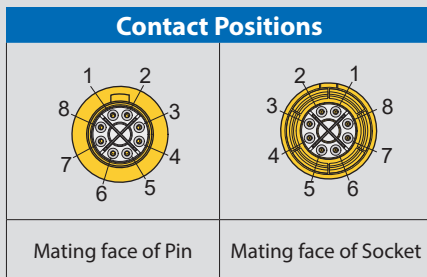
Series 806 Mil-Aero Connectors



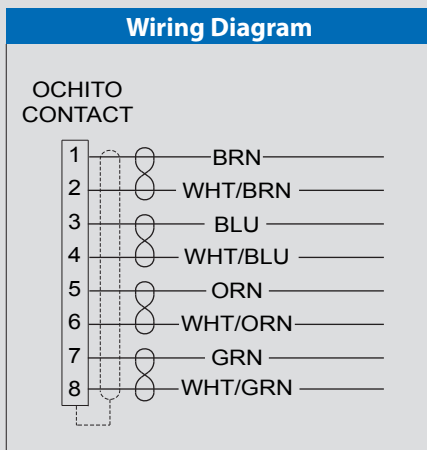
El Ochito® White Single-Ended Cat 6A Cable Assembly 8571-0001



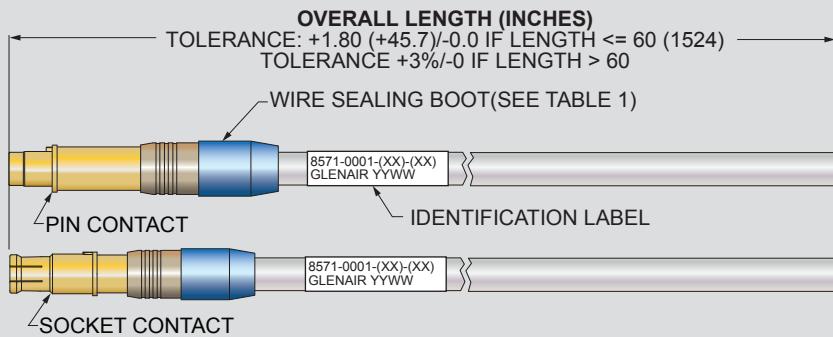
El Ochito® White for 10GBASE-T Ethernet, pin contact mating face



Technical Data	
<ul style="list-style-type: none"> Refer to individual contact and cable data sheets for construction details 100% tested for shorts, continuity and IR 	
<ul style="list-style-type: none"> Operating temp.: -65° to +175°C Impedance: 100 ohms DWV: 500 Vrms Current Rating: 1.5 A IR: 200 megohms min. Durability: 500 mating cycles 	



Save assembly time and cost with pre-wired, 100% tested El Ochito® White assemblies. These single-ended cables have El Ochito® White octaxial contacts terminated to Category 6A aerospace-grade shielded cable. Supplied with cable sealing boot if applicable. Designed to meet the requirements of MIL-DTL-38999, SAE AS39029. *El Ochito® contacts must be installed in keyed connectors before mating to prevent misalignment and contact damage.*



Category 6A Pre-Wired El Ochito® Pin-Socket Assemblies			
Sample Part Number	8571-0001	-18	-60
Product	8571-0001 = Pre-wired El Ochito® contact, single-ended, Cat6A		
Order Code	See Table 1		
Length	Length in Inches (12 inch minimum)		

Table 1: Order Code					
Order Code	Contact Part Number	Pin/Skt	Sealing Boot	Cable Type	Cable Part Number
17	858-046-01F	Skt	Yes	S/UTP CAT6A #26 .220	963-003-26
18	858-046-02F	Skt	Yes	S/FTP CAT6A #26 .220	963-033-26
19	858-045-01F	Pin	Yes	S/UTP CAT6A #26 .220	963-003-26
20	858-045-02F	Pin	Yes	S/FTP CAT6A #26 .220	963-033-26

ENVIRONMENTAL, MICRO MINIATURE CIRCULAR

Series 806

Mil-Aero Connectors

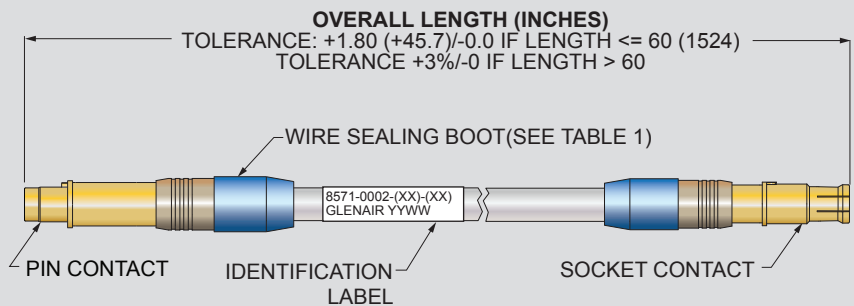
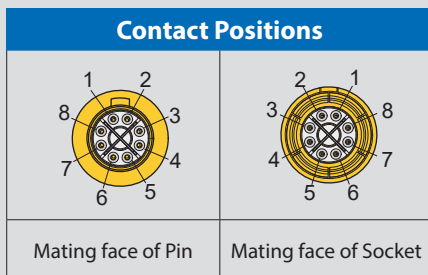


El Ochito® White Pin-to-Socket Cat 6A Cable Assembly 8571-0002



El Ochito® White for 10GBASE-T Ethernet, pin contact mating face

Lower installed cost. 100% tested. Save assembly time and cost with pre-wired El Ochito® White assemblies. These pin-to-socket cables have El Ochito® White octaxial contacts terminated to Category 6A aerospace-grade shielded cable. Supplied with cable sealing boot if applicable. These pre-wired El Ochito® contacts snap into connector body without requiring an insertion tool. Remove contacts with plastic tool 859-049. Designed to meet the requirements of MIL-DTL-38999, SAE AS39029. **El Ochito® contacts must be installed in keyed connectors before mating to prevent misalignment and contact damage.**



Technical Data
<ul style="list-style-type: none"> Refer to individual contact and cable data sheets for construction details 100% tested for shorts, continuity and IR
<ul style="list-style-type: none"> Operating temp.: -65° to +175°C Impedance: 100 ohms DWV: 500 Vrms Current Rating: 1.5 A IR: 200 megohms min. Durability: 500 mating cycles

Category 6A Pre-Wired El Ochito® Pin-Socket Assemblies			
Sample Part Number	8571-0002	-06	-36
Product	8571-0002 = Pre-wired El Ochito® contacts, Pin-to-Socket		
Order Code	See Table 1		
Length	Length in Inches (12 inch minimum)		

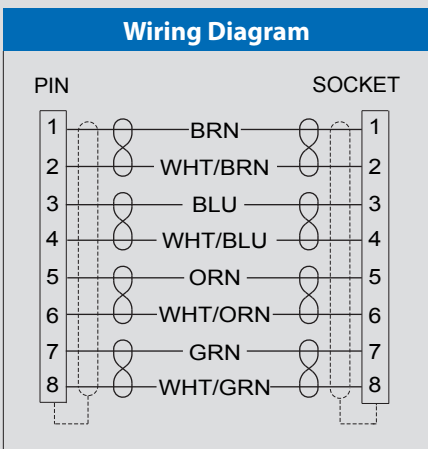


Table 1 Order Code						
Connector Type	Order Code	Pin Contact Part No.	Skt Contact Part No.	Sealing Boot	Cable Type	Cable Part Number
Series 806	06	858-045-01F	858-046-01F	Yes	S/UTP CAT6A #26 .220	963-003-26
	07	858-045-02F	858-046-02F	Yes	S/FTP CAT6A #26 .220	963-033-26

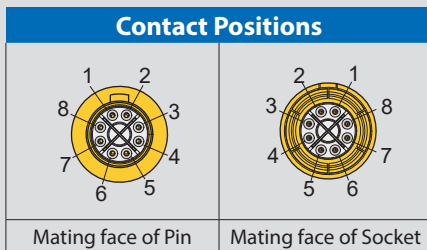
Series 806 Mil-Aero Connectors



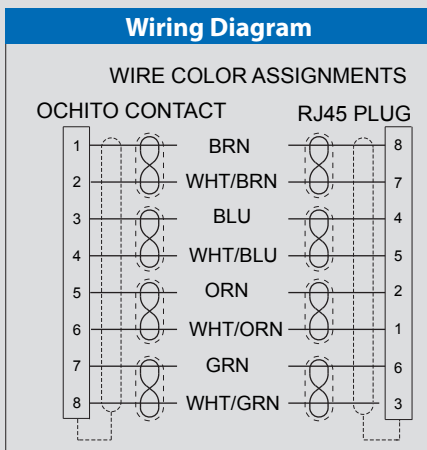
El Ochito® White-to-RJ45 Cable Assemblies 8571-0003 and -0004



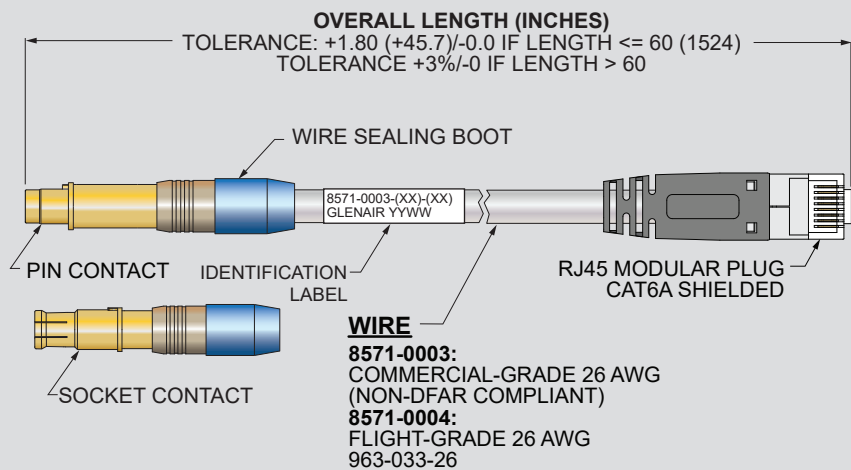
El Ochito® White for 10GBASE-T Ethernet, pin contact mating face



Technical Data
<ul style="list-style-type: none"> Refer to individual contact data sheets for construction details 100% tested for shorts, continuity and IR
<ul style="list-style-type: none"> Wire Size: 26 AWG Impedance: 100 ohms DWV: 500 Vrms Current Rating: 1.5 A IR: 200 megohms min. Durability: 500 mating cycles RJ45 Modular Plug: 8571-0003: -40° to +70° C 8571-0004: -40° to +85° C



*El Ochito® White-to-RJ45. Two cable options: commercial grade (8571-0003) or flight-grade (8571-0004) Cat6A. Save assembly time and cost with pre-wired El Ochito® White assemblies. Cost-effective commercial grade assemblies are perfect for LAN testers and de-bugging. High performance engineered fluoropolymer aerospace grade assemblies have foil shields on each wire pair. **El Ochito® octaxial contacts must be installed in keyed connectors before mating to prevent misalignment and contact damage.***



El Ochito®-to-RJ45 Cable Assemblies, Commercial-grade Wire			
Sample Part Number	8571-0003	-03	-24
Product	8571-0003 = Cable Assy, El Ochito® to RJ45 Plug, Commercial Grade		
El Ochito® Contact Part Number	03 = 858-045-01F Pin 04 = 858-046-01F Socket		
Length	Length in Inches (12 inch minimum)		

El Ochito®-to-RJ45 Cable Assemblies, Flight-grade Wire			
Sample Part Number	8571-0004	-03	-24
Product	8571-0004 = Cable Assy, El Ochito® to RJ45 Plug, Aerospace Grade		
El Ochito® Contact Part Number	03 = 858-045-02F Pin 04 = 858-046-02F Socket		
Length	Length in Inches (12 inch minimum)		

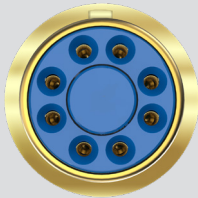
ENVIRONMENTAL, MICRO MINIATURE CIRCULAR

Series 806

Mil-Aero Connectors

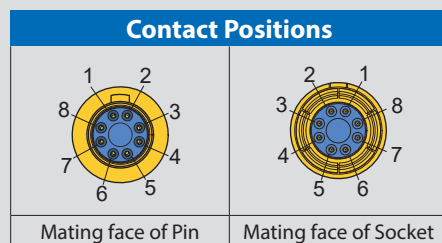


El Ochito® Blue Single-Ended SuperSpeed USB Cable Assembly 8572-0001

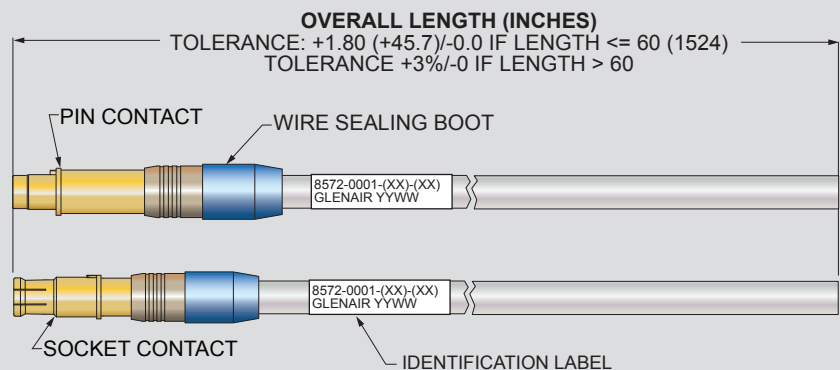
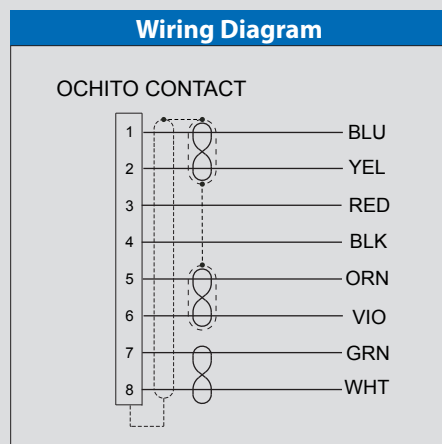


El Ochito® Blue for SuperSpeed USB 3.0, pin contact mating face

Two cable options: commercial grade or flight-grade. 100% tested. Save assembly time and cost with pre-wired El Ochito® Blue SuperSpeed USB 3.0 assemblies. These single-ended assemblies have El Ochito® Blue octaxial contacts terminated to USB 3.0 shielded cables. Supplied with cable sealing boot. Commercial-grade version has PVC jacket. Aerospace-grade version has high temperature fluoropolymer construction and braided shields on SuperSpeed pairs. **El Ochito® contacts must be installed in keyed connectors before mating to prevent misalignment and contact damage.**



Technical Data
<ul style="list-style-type: none"> Refer to individual contact and cable data sheets for construction details 100% tested for shorts, continuity and IR
<ul style="list-style-type: none"> Operating temp.: -65° to +175°C, aerospace-grade 0° to +80°C, commercial-grade Impedance: 90 ohms DWV: 100 Vrms Current Rating: 1.5 A IR: 100 megohms min. Durability : 500 mating cycles



El Ochito® Blue USB Single-Ended Cable Assemblies			
Sample Part Number	8572-0001	-09	-36
Product	8572-0001 = Pre-wired El Ochito® contact with USB 3.0 cable		
Order Code	See Table 1		
Length	Length in Inches (12 inch minimum)		

Table 1: Order Code				
Order Code	Contact Part No.	Pin/Skt	Cable Type	Cable Part Number
09	858-047-01F	Pin	Commercial-grade, PVC Jacket, 0° to +80°C	963-118
11	858-048-01F	Socket	Commercial-grade, PVC Jacket, 0° to +80°C	963-118
10	858-047-02F	Pin	Aerospace-grade, Fluoropolymer Jacket, -65° to +200°C	963-110
12	858-048-02F	Socket	Aerospace-grade, Fluoropolymer Jacket, -65° to +200°C	963-110

Series 806 Mil-Aero Connectors

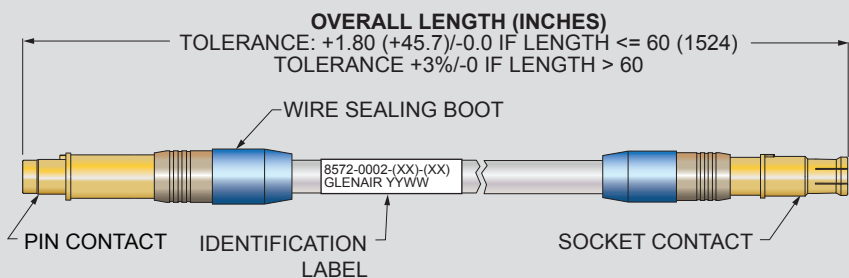
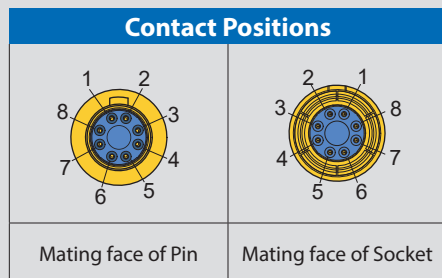


El Ochito® Blue Pin-Socket SuperSpeed USB Cable Assembly 8572-0002



El Ochito® Blue for SuperSpeed USB 3.0,
pin contact mating face

*Aerospace-grade or commercial-grade cable. 100% tested. Save assembly time and cost with pre-wired El Ochito® Blue SuperSpeed USB 3.0 assemblies. These assemblies have a pin contact on one end and a socket contact on the other end. Aerospace-grade high temperature cable (963-110) has fluoropolymer construction. Commercial-grade version (963-118) has PVC jacket. Supplied with cable sealing boot. **El Ochito® octaxial contacts must be installed in keyed connectors before mating to prevent misalignment and contact damage.***



Technical Data	
<input type="checkbox"/>	Refer to individual contact and cable data sheets for construction details
<input type="checkbox"/>	100% tested for shorts, continuity and IR
<input type="checkbox"/>	Operating temp.: -65° to +175°C, aerospace-grade 0° to +80°C, commercial-grade
<input type="checkbox"/>	Impedance: 90 ohms
<input type="checkbox"/>	DWV: 100 Vrms
<input type="checkbox"/>	Current Rating: 1.5 A
<input type="checkbox"/>	IR: 100 megohms min.
<input type="checkbox"/>	Durability: 500 mating cycles

Pre-Wired El Ochito® Blue Pin-Socket Cable Assemblies				
	Sample Part Number	8573-0002	-05	-36
Product	8572-0002 = Pre-wired El Ochito® contact with USB 3.0 cable			
Order Code	See Table 1			
Length	Length in Inches (12 inch minimum)			

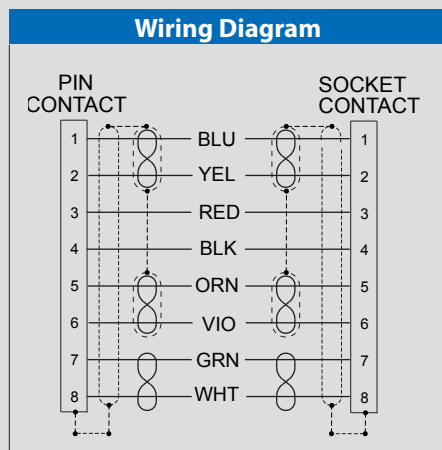
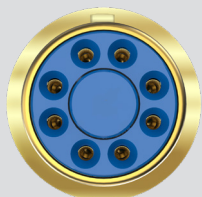


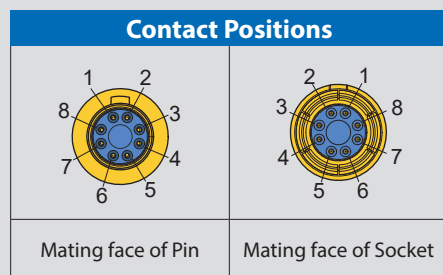
Table 1 Order Code				
Order Code	Pin Contact Part No.	Socket Contact Part No.	Cable Type	Cable Part Number
05	858-047-01F	858-048-01F	Commercial-grade PVC Jacket 0° to +80C	963-118
06	858-047-02F	858-048-02F	Aerospace-grade Fluoropolymer Jacket -65° to +200C	963-110

Series 806 Mil-Aero Connectors

El Ochito® Blue to SuperSpeed USB Cable Assemblies 8572-0003



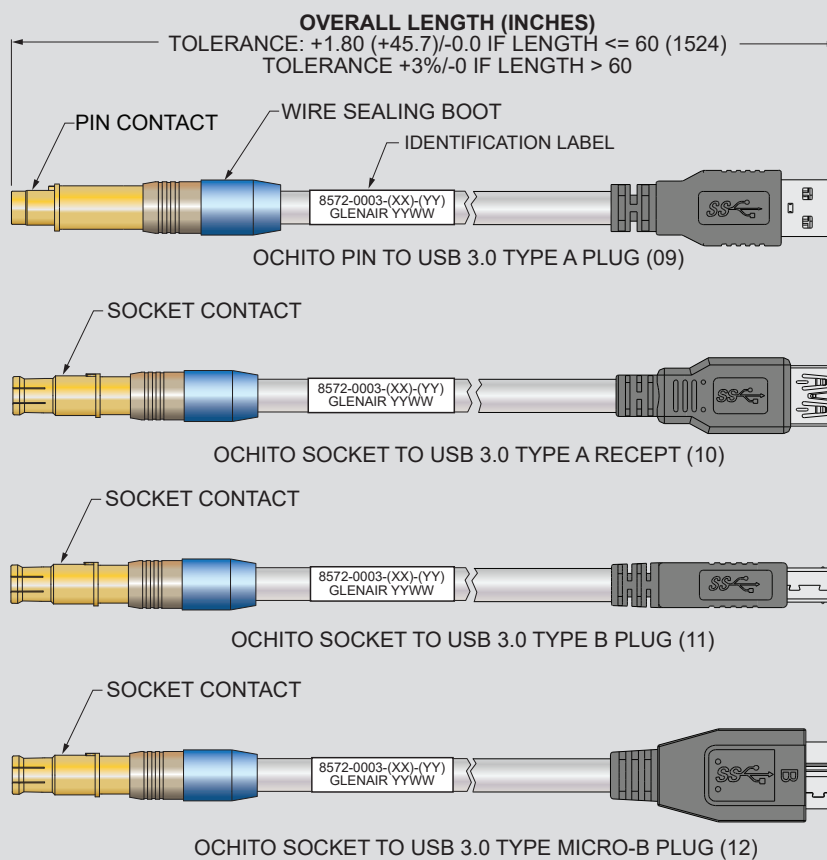
El Ochito® Blue for SuperSpeed USB 3.0,
pin contact mating face



Technical Data
<ul style="list-style-type: none"> ❑ Operating temp.: 0° to +80°C ❑ Impedance: 90 ohms ❑ DWV: 100 Vrms ❑ Current Rating: 1.5 A ❑ IR: 100 megohms min. ❑ Durability : 500 mating cycles

Construction
<ul style="list-style-type: none"> ❑ Refer to individual contact data sheets for additional details ❑ 100% tested for shorts, continuity and IR ❑ Cable: commercial-grade, PVC jacket, non-DFAR compliant

USB 3.0 Connectors. Commercial grade. 100% tested. Save assembly time and cost with pre-wired El Ochito® Blue SuperSpeed USB assemblies. These assemblies have El Ochito® Blue contacts wired to USB 3.0 Connectors. Supplied with cable sealing boot. *El Ochito® contacts must be installed in keyed connectors before mating to prevent misalignment and contact damage.*



Pre-Wired El Ochito® Blue to SuperSpeed USB Cable Assemblies				
	Sample Part Number	8572-0003	-10	-36
Product	8572-0003 = Pre-wired El Ochito® contacts with USB 3.0 connectors			
Order Code	See Table 1			
Length	Length in Inches (12 inch minimum)			

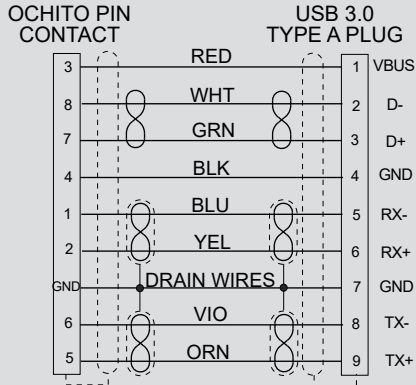
Table 1 Order Code			
Order Code	Contact Part No.	El Ochito Pin/Skt	USB 3.0 Connector
09	858-047-01F	Pin	A Plug
10	858-048-01F	Socket	A Recept
11	858-048-01F	Socket	B Plug
12	858-048-01F	Socket	Micro-B Plug

Series 806 Mil-Aero Connectors

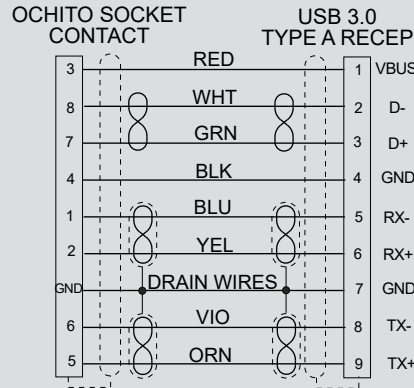


El Ochito® Blue to SuperSpeed USB Cable Assemblies 8572-0003

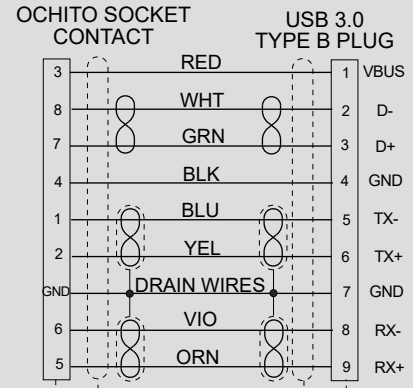
Wiring Diagram
8572-0003-09
El Ochito® Pin to USB 3.0 A Plug



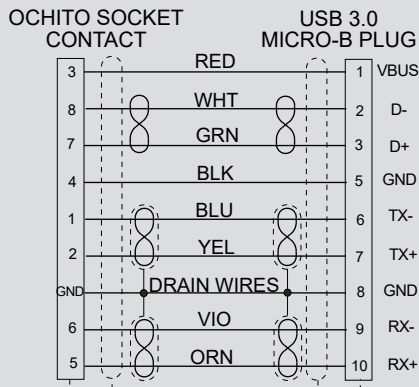
Wiring Diagram
8572-0003-10
El Ochito® Socket to USB 3.0 A Receptacle



Wiring Diagram
8572-0003-11
El Ochito® Socket to USB 3.0 B Plug



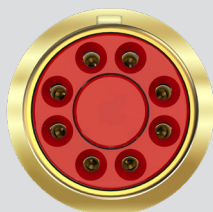
Wiring Diagram
8572-0003-12
El Ochito® Socket to USB 3.0 Micro-B Plug



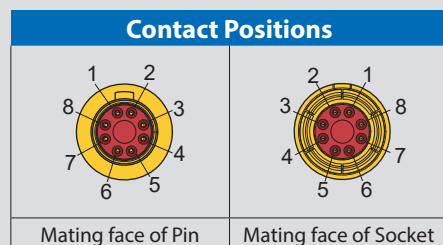
Series 806 Mil-Aero Connectors



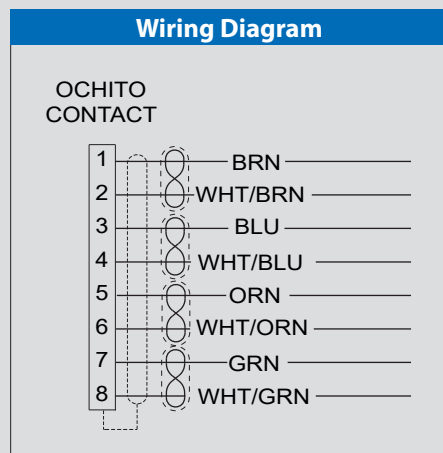
El Ochito® Red Single-Ended Cable Assembly 8573-0001



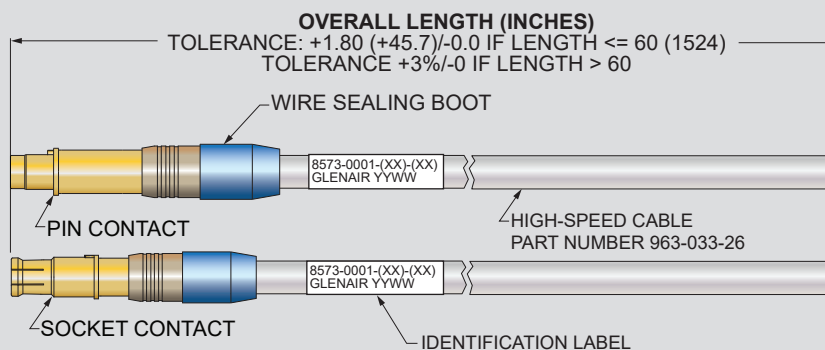
El Ochito® Red for Multi-Gigabit 100 Ohm Datalinks, pin contact mating face



Technical Data	
<input type="checkbox"/>	Refer to individual contact data sheets for construction details
<input type="checkbox"/>	100% tested for shorts, continuity and IR
<input type="checkbox"/>	Operating temp.: -65° to +175°C
<input type="checkbox"/>	Impedance: 100 ohms
<input type="checkbox"/>	DWV: 300 Vrms
<input type="checkbox"/>	Current Rating: 1.5 A
<input type="checkbox"/>	IR: 10 megohms min.
<input type="checkbox"/>	Durability: 500 mating cycles



Save assembly time and cost with pre-wired, 100% tested El Ochito® Red assemblies for datalinks up to 1Gbps. These single-ended cables have El Ochito® Red octaxial contacts terminated to high performance flight-grade 100 ohm shielded twisted pair cable. Supplied with cable sealing boot. Designed to meet the requirements of MIL-DTL-38999 and SAE AS39029. *El Ochito® contacts must be installed in keyed connectors before mating to prevent misalignment and contact damage.*



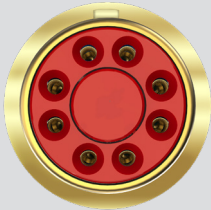
El Ochito® Red Single-Ended Cable Assemblies				
Sample Part Number		8573-0001	-05	-36
Product	8573-0001 = Pre-wired El Ochito® contact, single-ended			
El Ochito® Contact P/N	See Table 1			
Length	Length in Inches (12 inch minimum)			

Table 1 Order Code				
Order Code	Contact Part No.	Pin/Skt	Data Protocol	Cable
05	858-049-01F	Pin	High Speed, up to 1 Gbps	963-033-26 26 AWG
06	858-050-01F	Socket	High Speed, up to 1 Gbps	963-033-26 26 AWG

Series 806 Mil-Aero Connectors

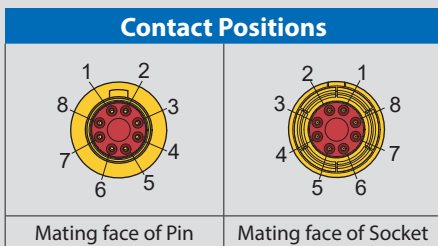


El Ochito® Red Single-Ended Cable Assembly 8573-0023

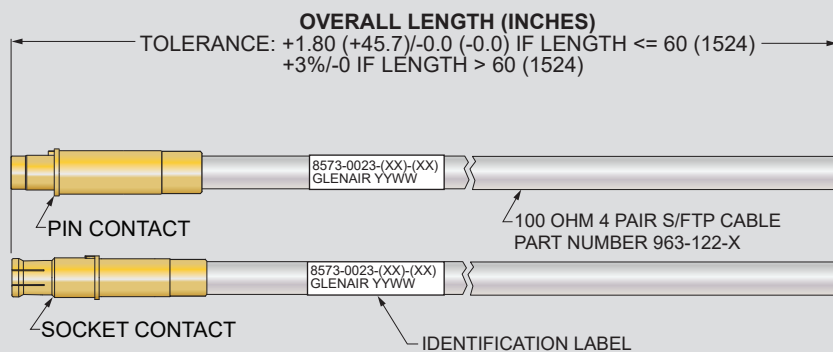
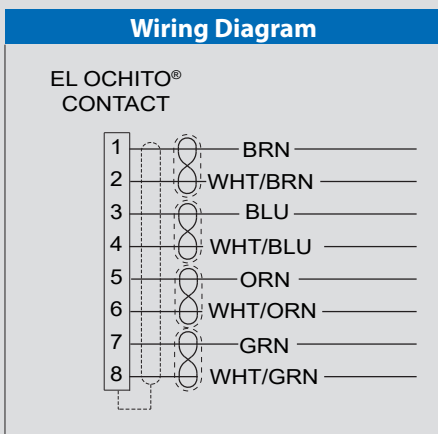


El Ochito® Red for Multi-Gigabit 100 Ohm Datalinks, pin contact mating face

Save assembly time and cost with pre-wired, 100% tested El Ochito® Red assemblies for multi-gigabit datalinks. These single-ended cables have El Ochito® Red octaxial contacts terminated to Glenair general purpose, aerospace-grade 100 ohm shielded twisted pair cable. Suitable for Cat 6a, HDMI and DisplayPort protocol applications. Supplied with cable sealing boot. Designed to meet the requirements of MIL-DTL-38999 and SAE AS39029. *El Ochito® contacts must be installed in keyed connectors before mating to prevent misalignment and contact damage.*



Technical Data	
<input type="checkbox"/>	Refer to individual contact and wire data sheets for construction details
<input type="checkbox"/>	100% tested for shorts, continuity and IR
<input type="checkbox"/>	Operating temp. (cable jacket): -1: -65° to +175° C -2: -40° to +90° C -3: -65° to +175° C
<input type="checkbox"/>	Impedance: 100 ohms
<input type="checkbox"/>	DWV: 300 Vrms
<input type="checkbox"/>	Current Rating: 1.5 A
<input type="checkbox"/>	IR: 10 megohms min.
<input type="checkbox"/>	Durability: 500 mating cycles



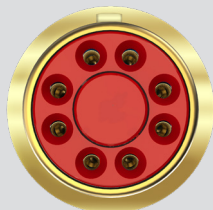
El Ochito® Red Single-Ended Cable Assemblies					
	Sample Part Number	8573-0023	-05	-1	-48
Product	8573-0023 = Pre-wired El Ochito® contact, single-ended, Multi-Gigabit				
El Ochito® Contact P/N	See Table 1				
Cable Jacket	1 = Duraelectric Jacket 2 = Polyurethane LSZH 3 = FEP				
Length	Length in Inches (12 inch minimum)				

Table 1 Order Code				
Order Code	Contact Part No.	Pin/Skt	Data Protocol	Cable
05	858-049-01	Pin	High Speed, > 1 Gbps	963-122-X 26 AWG
06	858-050-01	Socket	High Speed, > 1 Gbps	963-122-X 26 AWG

Series 806 Mil-Aero Connectors

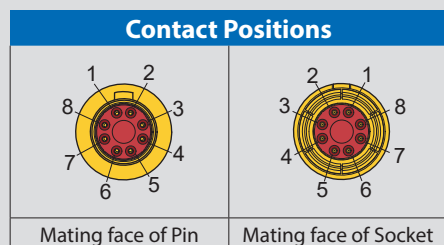


El Ochito® Red Pin-Socket Cable Assembly 8573-0002

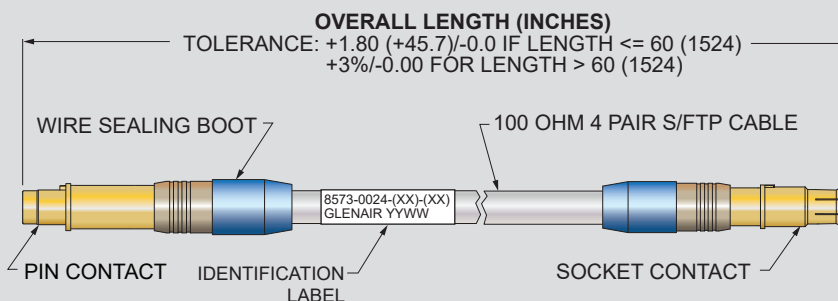
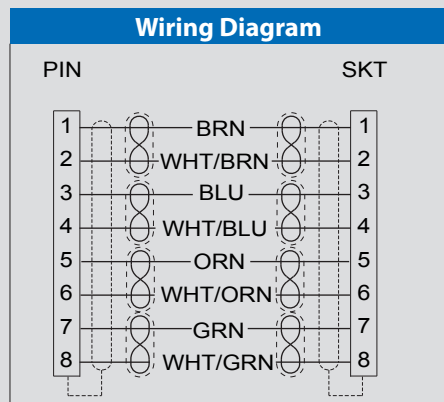


El Ochito® Red for Multi-Gigabit 100 Ohm Datalinks, pin contact mating face

Save assembly time and cost with pre-wired, 100% tested El Ochito® Red assemblies for datalinks up to 1Gbps. These pin-to-socket cables have El Ochito® Red octaxial contacts terminated to high performance flight-grade 100 ohm shielded twisted pair cable. Supplied with cable sealing boots. Designed to meet the requirements of MIL-DTL-38999 and SAE AS39029. *El Ochito® contacts must be installed in keyed connectors before mating to prevent misalignment and contact damage.*



Technical Data	
<input type="checkbox"/>	Refer to individual contact data sheets for construction details
<input type="checkbox"/>	100% tested for shorts, continuity and IR
<input type="checkbox"/>	Operating temp. (cable jacket): -1: -65° to +175° C -2: -40° to +90° C -3: -65° to +175° C
<input type="checkbox"/>	Impedance: 100 ohms
<input type="checkbox"/>	DWV: 300 Vrms
<input type="checkbox"/>	Current Rating: 1.5 A
<input type="checkbox"/>	IR: 10 megohms min.
<input type="checkbox"/>	Durability: 500 mating cycles

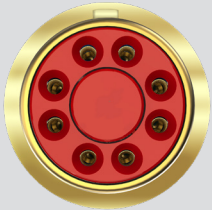


Pre-Wired El Ochito® Red Pin-Socket Cable Assemblies			
Sample Part Number	8573-0002	-03	-48
Product	8573-0002 = Pre-wired El Ochito® Red Pin-to-Socket Assemblies.		
El Ochito® Contact P/N	See Table 1		
Length	Length in Inches (12 inch minimum)		

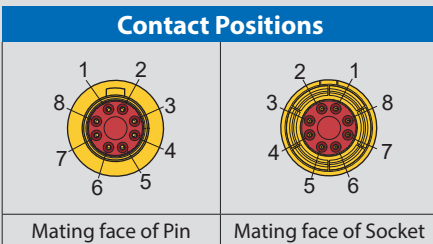
Table 1 Order Code				
Order Code	Pin Contact Part No.	Skt Contact Part No.	Data Protocol	Cable
03	858-049-01F	858-050-01F	High Speed, up to 1 Gbps	963-033-26 26 AWG

Series 806 Mil-Aero Connectors

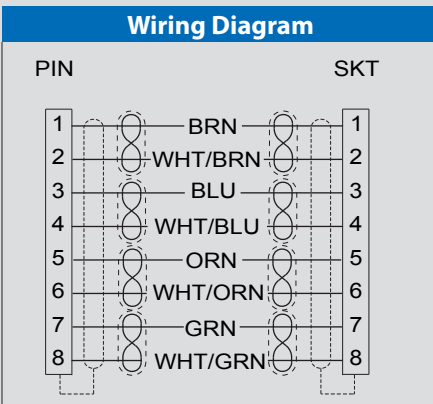
El Ochito® Red Pin-Socket Cable Assembly 8573-0024



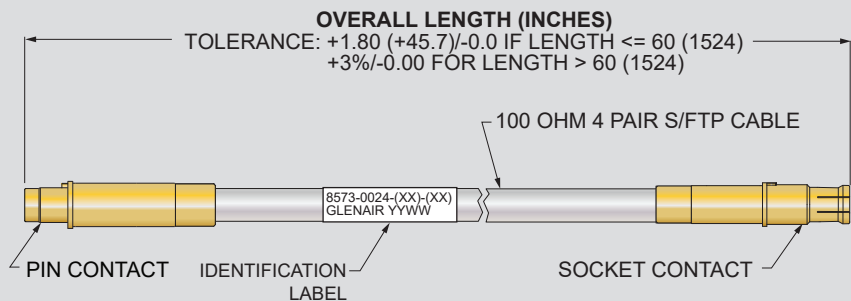
El Ochito® Red for Multi-Gigabit 100 Ohm Datalinks, pin contact mating face



Technical Data	
<ul style="list-style-type: none"> Refer to individual contact data sheets for construction details 100% tested for shorts, continuity and IR 	
<ul style="list-style-type: none"> Operating temp. (cable jacket): -1: -65° to +175° C -2: -40° to +90° C -3: -65° to +175° C 	
<ul style="list-style-type: none"> Impedance: 100 ohms DWV: 300 Vrms Current Rating: 1.5 A IR: 10 megohms min. Durability: 500 mating cycles 	



Save assembly time and cost with pre-wired, 100% tested El Ochito® Red assemblies for multi-gigabit datalinks. These single-ended cables have El Ochito® Red octaxial contacts terminated to Glenair general purpose, aerospace-grade 100 ohm shielded twisted pair cable. Suitable for Cat 6a, HDMI and DisplayPort protocol applications. Supplied with cable sealing boot. Designed to meet the requirements of MIL-DTL-38999 and SAE AS39029. *El Ochito® contacts must be installed in keyed connectors before mating to prevent misalignment and contact damage.*



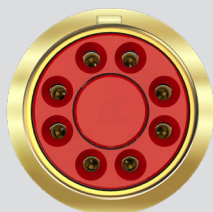
Pre-Wired El Ochito® Red Pin-Socket Cable Assemblies					
	Sample Part Number	8573-0024	-01	-02	-48
Product	8573-0024 = Pre-wired El Ochito® Red Pin-to-Socket Assemblies.				
El Ochito® Contact P/N	See Table 1				
Cable Jacket	1 = Duraelectric Jacket 2 = Polyurethane LSZH 3 = FEP				
Length	Length in Inches (12 inch minimum)				

Table 1 Order Code				
Order Code	Pin Contact Part No.	Skt Contact Part No.	Data Protocol	Cable
03	858-049-01	858-050-01	High Speed, > 1 Gbps	963-122-X 26 AWG

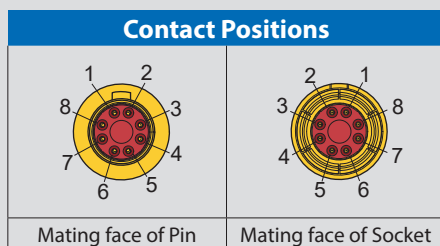
Series 806 Mil-Aero Connectors



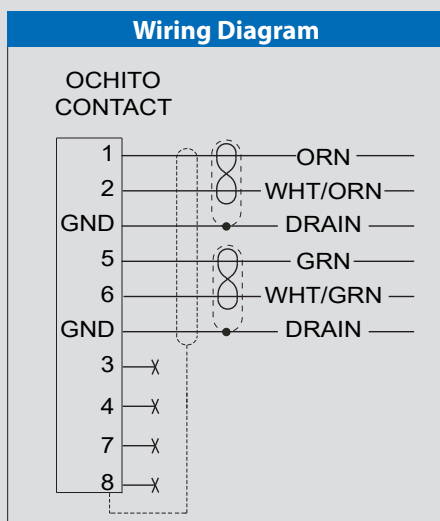
El Ochito® Red Single-Ended Cable Assembly 8573-0036



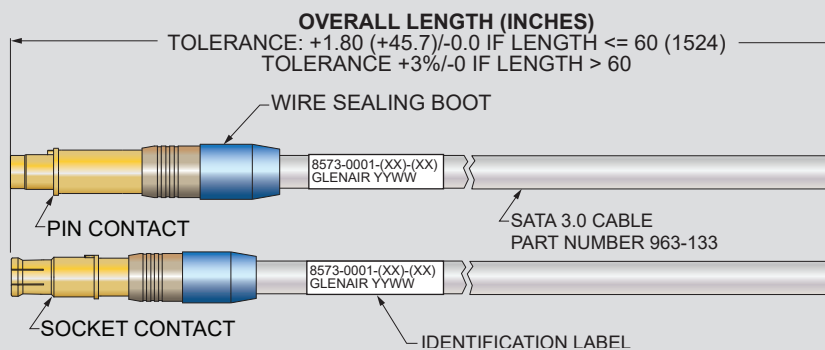
El Ochito® Red for SATA 3.0 100 Ohm Datalinks, pin contact mating face



Technical Data	
<input type="checkbox"/>	Refer to individual contact data sheets for construction details
<input type="checkbox"/>	100% tested for shorts, continuity and IR
<input type="checkbox"/>	Operating temp.: -65° to +175°C
<input type="checkbox"/>	Impedance: 100 ohms
<input type="checkbox"/>	DWV: 300 VAC 5 sec. max
<input type="checkbox"/>	Current Rating: 1.5 A
<input type="checkbox"/>	IR: conductor to conductor and conductor to shell at 150 VDC/10 megohms min. IAW MIL-STD-202, method 302
<input type="checkbox"/>	Durability: 500 mating cycles



Save assembly time and cost with pre-wired, 100% tested El Ochito® Red assemblies for datalinks up to 3Gbps. These single-ended cables have El Ochito® Red octaxial contacts terminated to twin-ax parallel pair 100 ohm SATA cable. Supplied with cable sealing boot. Designed to meet the requirements of MIL-DTL-38999 and SAE AS39029. *El Ochito® contacts must be installed in keyed connectors before mating to prevent misalignment and contact damage.*

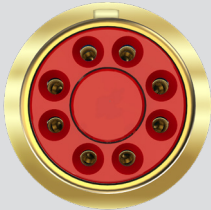


El Ochito® Red Single-Ended Cable Assemblies			
	Sample Part Number	-05	-36
Product	8573-0036 = Pre-wired El Ochito® contact, single-ended		
El Ochito® Contact P/N	See Table 1		
Length	Length in Inches (12 inch minimum)		

Table 1 Order Code				
Order Code	Contact Part No.	Pin/Skt	Data Protocol	Cable
03	858-049-02F	Pin	SATA 3.0	963-133 24 AWG
06	858-050-02F	Socket	SATA 3.0	963-133 24 AWG

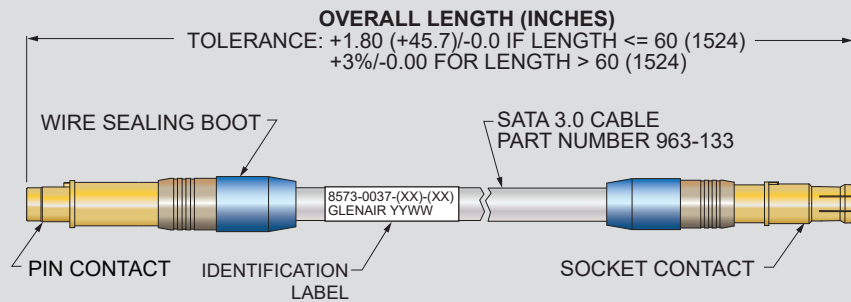
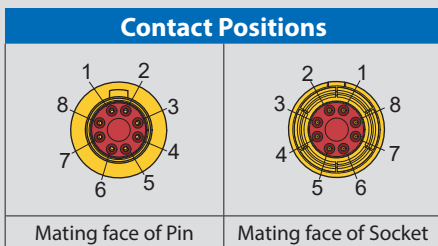
Series 806 Mil-Aero Connectors

El Ochito® Red Pin-Socket Cable Assembly 8573-0037



El Ochito® Red for SATA 3.0 100 Ohm Datalinks, pin contact mating face

Save assembly time and cost with pre-wired, 100% tested El Ochito® Red assemblies for datalinks up to 3Gbps. These pin-to-socket cables have El Ochito® Red octaxial contacts terminated to twin-ax parallel pair 100 ohm SATA cable. Supplied with cable sealing boots. Designed to meet the requirements of MIL-DTL-38999 and SAE AS39029. *El Ochito® contacts must be installed in keyed connectors before mating to prevent misalignment and contact damage.*



Technical Data	
<input type="checkbox"/>	Refer to individual contact data sheets for construction details
<input type="checkbox"/>	100% tested for shorts, continuity and IR
<input type="checkbox"/>	Operating temp.: -65° to +175°C
<input type="checkbox"/>	Impedance: 100 ohms
<input type="checkbox"/>	DWV: 300 VAC 5 sec. max
<input type="checkbox"/>	Current Rating: 1.5 A
<input type="checkbox"/>	IR: conductor to conductor and conductor to shell at 150 VDC/10 megohms min. IAW MIL-STD-202, method 302
<input type="checkbox"/>	Durability: 500 mating cycles

Pre-Wired El Ochito® Red Pin-Socket Cable Assemblies				
	Sample Part Number	8573-0037	-03	-48
Product	8573-0037 = Pre-wired El Ochito® Red Pin-to-Socket Assemblies.			
El Ochito® Contact P/N	See Table 1			
Length	Length in Inches (12 inch minimum)			

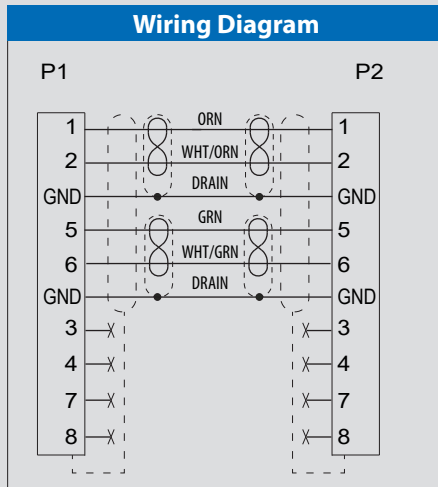
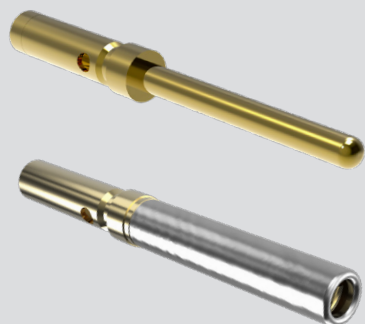


Table 1 Order Code				
Order Code	Pin Contact Part No.	Skt Contact Part No.	Data Protocol	Cable
03	858-049-02F	858-050-02F	SATA 3.0	963-133 24 AWG

Series 806 Mil-Aero Connectors

Size 22HD Crimp Contacts for AWG #22 - 30 Wire



Military grade. Heavy gold plating. High-density size #22HD contacts accept #22 to #30 AWG wire. Compatible with Series 806 connectors with size 22HD contact cavities. Crimp termination. Contacts are bulk packaged.

Size 22HD Contacts for Series 806 Connectors						
Contact Type	Wire Size AWG	Part Number	A		Color Band	
			In.	mm.		
Pin	#22 – #28	850-094-1	.0335-.0355	0.851-0.902	(none)	
Pin	#26 – #30	850-094-2	.0229-.0245	0.582-0.622	Blue	
Socket	#22 – #28	850-095-1	.0335-.0355	0.851-0.902	(none)	
Socket	#26 – #30	850-095-2	.0229-.0245	0.582-0.622	Blue	

Specifications

- Operating temperature: -65°C to +200°C
- Current rating 5 A
- Crimp Tensile Strength:

Wire Size	Axial Load (lbs)
22	12
24	8
26	5
28	3
30	1.5

- Contact Resistance: silver-plated wire, 25°C (AS39029 Table 5)

Wire Size	Test Current Amperes	Max. mV Drop
22	5	73
24	3	45
26	2	52
28	1.5	54
30	1	60

- Meets performance requirements of SAE AS39029/121 and /122

Construction

- Copper alloy, 50 microinches gold over nickel plating
- Socket Hood: stainless steel, passivated

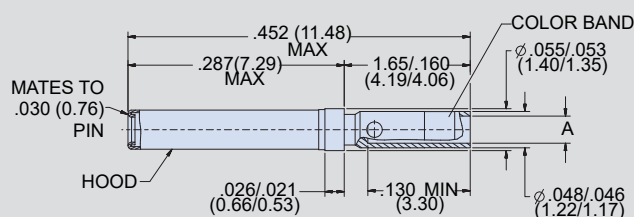
Termination Tools

Contact Part Number	Positioner	Crimp Tool
850-094-1	859-147	809-015
850-094-2	859-148	
850-095-1	809-005	
850-095-2	809-057	

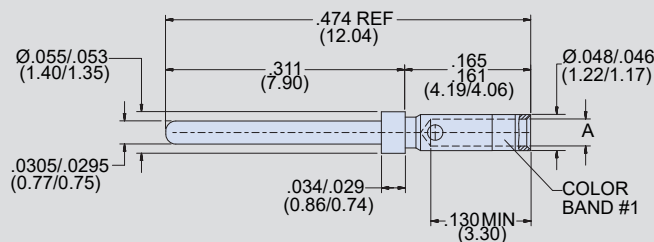
Assembly Tools

- Insertion/Extraction Tool: 859-163

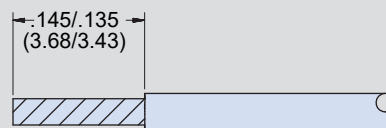
Size 22HD Socket Contact 850-095



Size 22HD Pin Contact 850-094



Wire Strip Length

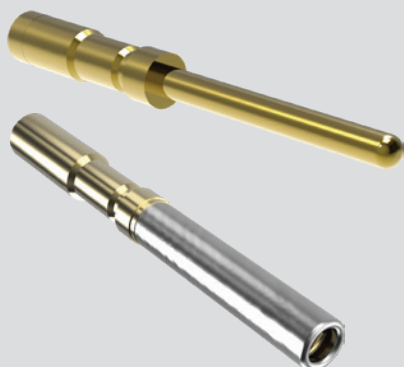


RECOMMENDED WIRE STRIP LENGTH

Series 806 Mil-Aero Connectors



Size 22HD Crimp Contacts for AWG #20 - #24 Wire, Non-removable



Military grade. Heavy gold plating. High-density size #22HD contacts accept #20 AWG wire. Compatible with Series 806 connectors with size 22HD contact cavities. Crimp termination, non-removable. Contacts are bulk packaged.

Size 22HD for #20AWG Wire	
Contact	Part Number
Pin	809-442
Socket	809-443

Specifications

- Maximum engagement force 8.0 oz. (MS33197-23Y1 Pin)
- Maximum separation force 0.5 oz (MS3197-23X1 pin)
- Current rating: 5 AMP max.
- Crimp tensile strength:

Wire Size	Axial Load (lbs)
20	20
22	12
24	8

- Contact millivolt drop: 70 millivolts max at 5 AMPs, 25°C

Construction

- Copper alloy, 50 microinches gold over nickel underplating
- Socket hood: stainless steel, passivated

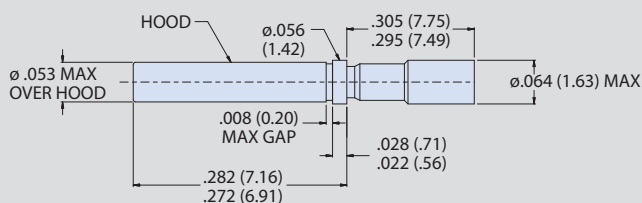
Termination Tools

Contact Part Number	Positioner	Crimp Tool
809-443	809-542	809-015
809-442		

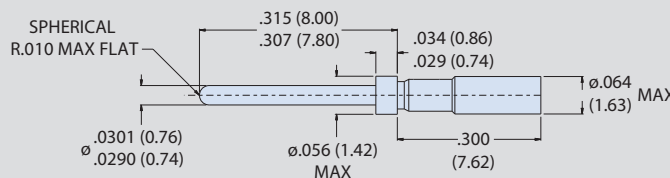
Intended Use

- For use with Series 806 connectors
- Cannot be removed after installation
- Due to diameter of 20AWG wire, the arrangement may not be able to accept a full complement of 20AWG wire assemblies. It is recommended that 20AWG wire assemblies be utilized in alternate cavities.

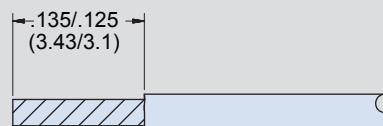
Size 22HD Socket Contact 809-443



Size 22HD Pin Contact 809-442



Wire Strip Length



RECOMMENDED WIRE STRIP LENGTH

Series 806 Mil-Aero Connectors

Size 22HD Thermocouple Pin and Socket Contacts



Thermocouple Contacts. Size 22 high density thermocouple contacts for use in harsh environment, temperature measuring applications. Contacts are crimp termination type.

Table I: Contact Part Numbers, Material Type and Color Band

PART NUMBER		MATERIAL TYPE	COLOR BAND	
PIN	SOCKET		1ST BAND	2ND BAND
850-144-1A	850-145-1A	IAW ASTM-E230, TYPE K (-)	RED	NONE
850-144-1C	850-145-1C	IAW ASTM-E230, TYPE K (+)	YELLOW	NONE
850-144-2A	850-145-2A	IAW ASTM-E230, TYPE K (-)	RED	BLUE
850-144-2C	850-145-2C	IAW ASTM-E230, TYPE K (+)	NONE	BLUE

Table I: Wire Accomodation Diameter

PART NUMBER		A DIA
PIN	SOCKET	
850-144-1A	850-145-1A	.0335 (0.851) - .0355 (0.902)
850-144-1C	850-145-1C	
850-144-2A	850-145-2A	.0229 (0.582) - .0245 (0.622)
850-144-2C	850-145-2C	

Termination Tools

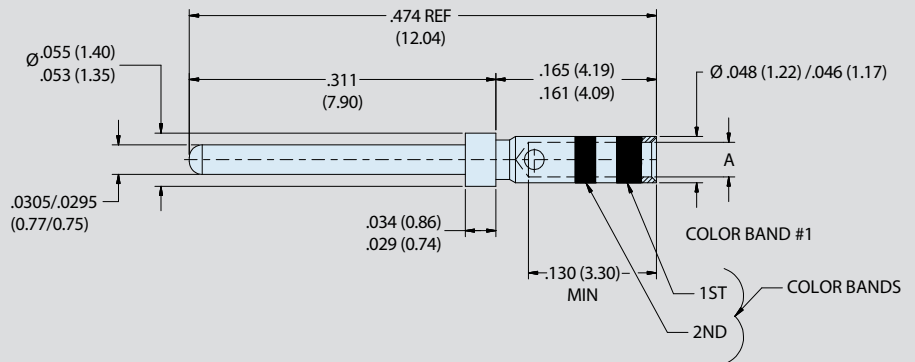
850-145:

- Crimp Tool: 809-015 (M22250/2-01)
- Positioner for 850-145-1: 809-005
- Positioner for 850-145-2: 809-057
- Insertion/Extraction Tool: 809-088

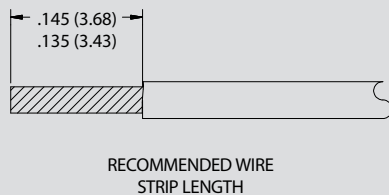
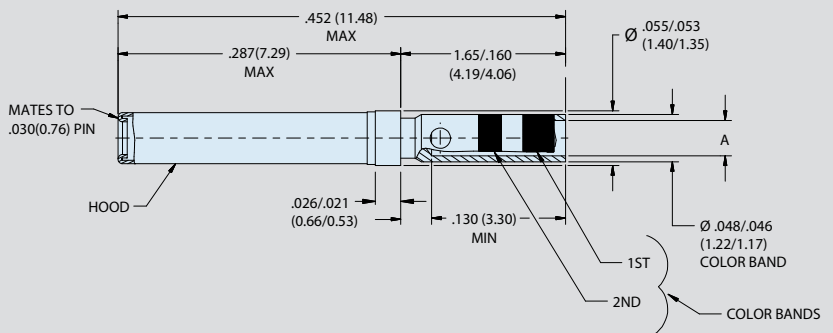
850-144:

- Crimp Tool: 809-015 (M22250/2-01)
- Positioner for 850-144-1: 859-147
- Positioner for 850-144-2: 859-148
- Insertion/Extraction Tool: 809-088

Pin Contact 850-144

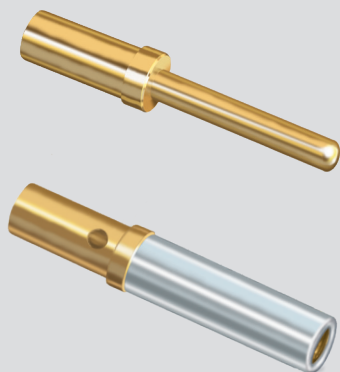


Socket Contact 850-145



Series 806 Mil-Aero Connectors

Size 20HD Crimp Contacts for AWG #20 to #24 Wire

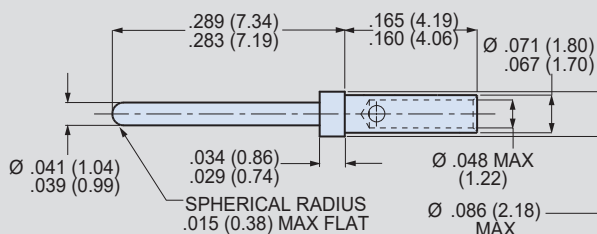


Military grade. Heavy gold plating. High-density size #20HD contacts accept #20 to #24 AWG wire. Compatible with Series 806 connectors with size 20HD contact cavities. Crimp termination. Bulk packaged.

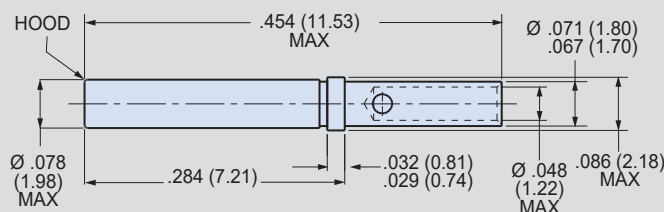
Size 20HD Power Contacts

Contact Type	Wire Size AWG	Part Number	Crimp Tool	Positioner
Pin	#20 - #24	809-204	809-015 (M22520/2-01)	809-206
Socket	#20 - #24	809-205	809-015 (M22520/2-01)	809-206

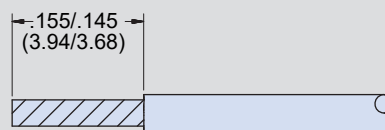
Pin Contact 809-204



Socket Contact 809-205



Wire Strip Length



RECOMMENDED WIRE STRIP LENGTH

Specifications

- Operating temperature: -65°C to +200°C
- Wire accommodation: 20, 22, and 24
- Crimp Tensile Strength:

Wire Size	Axial Load lbs.
20	20
22	12
24	8

- Contact Resistance: silver-plated wire, 25°C (AS39029 Table 5)

Wire Size	Test Current Amperes	Max. mV Drop
20	7.5	55
22	5	73
24	3	45

- Meets performance requirements of SAE AS39029/121 and /122

Construction

- Copper alloy, 50 microinches gold over nickel plating
- Socket Hood: stainless steel, passivated

Termination Tools

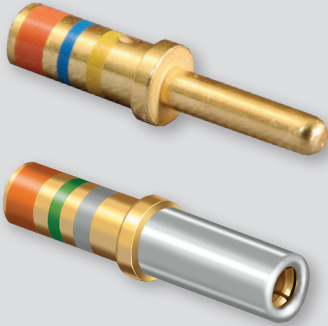
- Crimp Tool: 809-015 (M22520/2-01)
- Positioner: 809-206

Insertion/Extraction Tool

- Metal Tip Tool: 809-203
- Plastic Tip Tool: 809-203D

Series 806 Mil-Aero Connectors

Size 16 Power Crimp Contacts for AWG #16 to #20 Wire

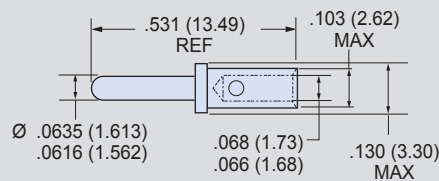


Standard size #16 contacts accept #16 to #20 AWG wire. At rated test current of 13 amps, the maximum voltage drop is 49 millivolts. Contacts are gold-plated copper alloy. Socket contacts feature stainless steel hoods to protect against probe damage. Approved to SAE-AMS-39029. Contacts are bulk packaged. Terminate with M22520/1-01 crimper and M22520/1-04 positioner.

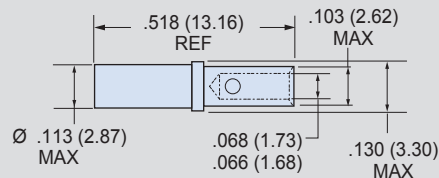
Size 16 HD Power Contacts

Contact Type	Wire Size	Part Number	Military Part Number	Color Band		
				1st	2nd	3rd
Pin	#16 – #20	809-110	AS39029/58-364	Orange	Blue	Yellow
Socket	#16 – #20	809-111	AS39029/57-358	Orange	Green	Gray

Pin Contact 809-110



Socket Contact 809-111



Specifications

- Operating temperature: -65°C to +200°C
- Current rating: 13 A
- VAC: 2300
- Crimp Tensile Strength: silver tin-plated wire, (AS39029 Table X)

Wire Size	Axial Load lbs.	
	Init. Cond.	Therm. Cond.
16	50	45
20	20	14

- Contact Resistance: silver-plated wire, 25°C ±3, (AS39029 Table V)

Wire Size	Test Current Amperes	Max. mV Drop
16	13	49
20	7.5	55

- Meets performance requirements of SAE AS39029/58 and /57

Construction

- Copper alloy, 50 microinches gold over nickel plating
- Socket Hood: stainless steel, passivated

Termination Tools

- Hand Crimp Tool: 809-136 (M22520/1-01)
- Pin/Skt Positioner: 809-137 (M22520/1-04)

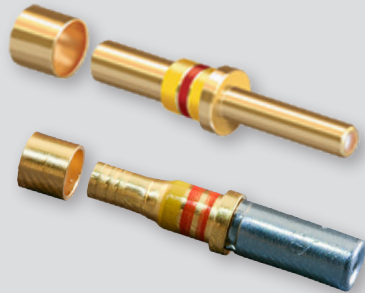
Insertion/Extraction Tool

- Tool: 809-131 (M81969/14-03)

ENVIRONMENTAL, MICRO MINIATURE CIRCULAR Series 806 Mil-Aero Connectors



Size 16 Coaxial Crimp Contacts for 50 and 75 ohm Coaxial Cable



These #16 contacts accept 50 ohm and 75 ohm coaxial cable. Inner contact is rated at 1 amp, the outer contact 12 amps. DWV voltage rating is 800 VAC rms sea level, 250 VAC at 50,000 feet. Contacts are packaged individually and are unassembled with instruction sheet. One contact consists of outer contact, fluorocarbon dielectric, inner contact and shield crimp sleeve. Inner and outer contacts are gold-plated copper alloy. Approved to SAE AS39029. VSWR rating 1.5:1 maximum up to 700 MHz. 5000 megohm insulation resistance.

Specifications

- Operating temperature: -65°C to +200°C
- Crimp Tensile Strength: silver tin-plated wire, (AS39029/76 & 78 Table 6)

Wire Size	Contact Tensile Load (lbs.)	
	Inner	Outer
RG174	15.0	15.0
RG316	10.0	15.0
RG179	3.5	15.0
RG178	3.5	10

- Low Signal Level Contact Resistance (inner contact only): AS39029/76 & 78 Table VI

Wire	Max. Contact Resist. (Mv)			
	Initial		After Cond. ¹	
	inner	Outer	Inner	Outer
RG174	55	85	66	102
RG316	55	75	66	90
RG179	120	70	144	84
RG178	120	110	144	132

1. After conditioning

- Meets performance requirements of SAE AS39029/76 and /78

Construction

- Copper alloy, 50 microinches gold over nickel plating
- Socket Hood: stainless steel, passivated

Termination Tools

- Inner Contact Crimp Tool: 809-015 (M22520/2-01)
- Inner Contact Positioner: 809-125 (M22520/2-35)
- Outer Contact Crimp Tool: 809-127 (M22520/4-01)
- Outer Contact Positioner: 809-126 (M22520/4-02)

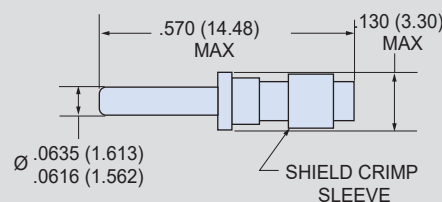
Insertion/Extraction Tool

- Installation Tool: M81969//8-07
- Removal Tool: M81969//8-08

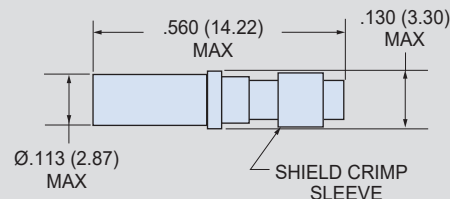
Size 16 Coax Contacts

Type	Cable Size	Part Number	Military Part Number	Color Band		
				1st	2nd	3rd
Pin	RG174, RG316, RG179	809-114	AS39029/76-424	Yellow	Red	Yellow
Pin	RG178	809-115	AS39029/76-425	Yellow	Red	Green
Socket	RG174, RG316, RG179	809-116	AS39029/78-432	Yellow	Orange	Red
Socket	RG178	809-117	AS39029/78-433	Yellow	Orange	Orange

Pin Contact 809-114 and 115

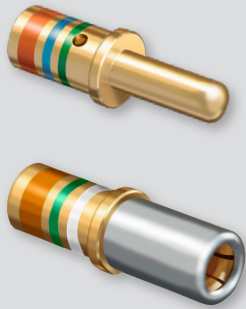


Socket Contact 809-116 and 117



Series 806 Mil-Aero Connectors

Size 12 Power Crimp Contacts for AWG #12 to #14 Wire

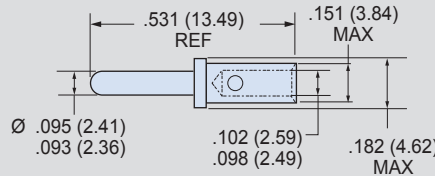


Standard size #12 contacts accept #12 to #14 AWG wire. At rated test current of 23 amps, the maximum voltage drop is 63 millivolts. Contacts are gold-plated copper alloy. Socket contacts feature stainless steel hoods to protect against probe damage. Approved to SAE AS39029. Contacts are bulk packaged. Terminate with M22520/1-01 crimper and M22520/1-04 positioner.

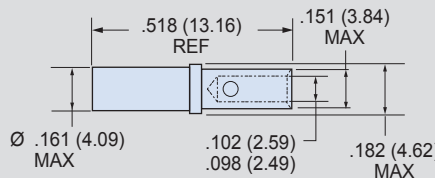
Size 12 Contacts

Contact Type	Wire Size	Part Number	Military Part Number	Color Band		
				1st	2nd	3rd
Pin	#12 – #14	809-112	AS39029/58-365	Orange	Blue	Green
Socket	#12 – #14	809-113	AS39029/57-359	Orange	Green	White

Pin Contact 809-112



Socket Contact 809-113



Specifications

- Operating temperature: -65°C to +200°C
- Current rating: 23 A
- Crimp Tensile Strength: silver tin-plated copper wire, (AS39029 Table X):

Wire Size	Axial Load lbs.	
	Init. Values	Therm. Values
16	50	45
20	20	14

- Contact Resistance: silver-plated wire, 25° ±3°, C (AS39029 Table V)

Wire Size	Test Current Amperes	Max. mV Drop
12	23	42
14	17	40

- Meets performance requirements of SAE AS39029/58 and /57

Construction

- Copper alloy, 50 microinches gold over nickel plating
- Socket Hood: stainless steel, passivated

Termination Tools

- Crimp Tool: 809-136 (M22520/1-01)
- Positioner: 809-138 (M22520/1-04)

Insertion/Extraction Tool

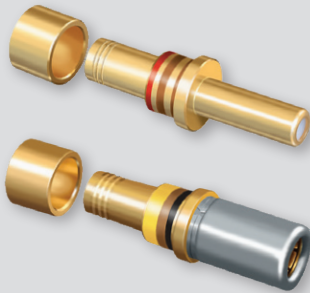
- Pin and Socket Tool: 809-132(M81969/14-04)

ENVIRONMENTAL, MICRO MINIATURE CIRCULAR

Series 806

Mil-Aero Connectors

Size 12, 50 and 75 Ohm Coaxial Contacts



These #12 contacts accept 50 ohm and 75 ohm coaxial cable. Inner contact is rated at 1 amp, the outer contact 12 amps. DWV voltage rating is 1000 VAC rms sea level, 250 VAC at 50,000 feet. Contacts are packaged individually and shipped unassembled with instruction sheet. One contact consists of outer contact, fluorocarbon dielectric, inner contact and shield crimp sleeve. Inner and outer contacts are gold-plated copper alloy. Approved to SAE AS39029. VSWR rating 1.5:1 maximum up to 700 MHz. 5000 megohm insulation resistance.

Specifications

- Operating temperature: -65°C to +200°C
- Crimp Tensile Strength: (AS39029/28 and 27 Table VII)

Wire Size	Tensile Load (lbs.)	
	Inner	Outer
RG174	15.0	15.0
RG316	10.0	15.0
RG179	3.5	15.0
RG180	3.5	20.0

- Contact Resistance at 25°C ±3°C in milliohms (AS39029/28 and 27 Table VII)

Wire	Max. Contact Resistance	
	Initial	After Cond. ¹
RG174	55	66
RG316	55	66
RG179	120	144
RG180	120	144

- After conditioning
- 85°C +3°, -0°

- Meets performance requirements of SAE AS39029/28 and /27

Construction

- Copper alloy, 50 microinches gold over nickel plating
- Socket Hood: stainless steel, passivated

Termination Tools

- Inner Contact Crimp Tool: 809-015 (M22520/2-01)
- Inner Contact Positioner: 809-135 (M22520/2-34)
- Outer Contact Crimp Tool: 809-133 (M22520/31-01)
- Outer Contact Positioner: 809-134 (M22520/31-02)

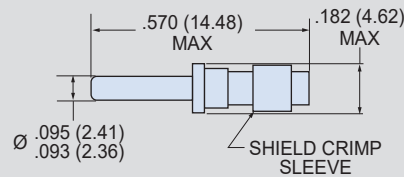
Insertion/Extraction Tool

- Installation Tool: M81969/8-09
- Removal Tool: M81969/8-10

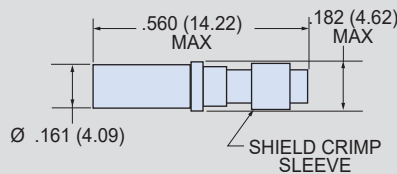
Size 12 Coaxial Contacts

Type	Cable Size	Part Number	Military Part Number	Color Band		
				1st	2nd	3rd
Pin	RG174, RG316, RG179	809-118	M39029/28-211	Red	Brown	Brown
Pin	RG180	809-119	M39029/28-409	Yellow	Black	White
Socket	RG174, RG316, RG179	809-120	M39029/27-210	Red	Brown	Black
Socket	RG180	809-121	M39029/27-402	Yellow	Black	Red

Pin Contact 809-118 and 809-119



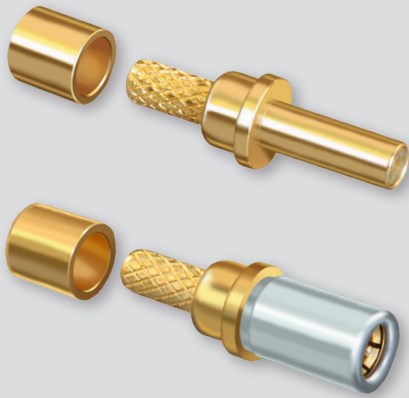
Socket Contact 809-120 and 809-121



Series 806 Mil-Aero Connectors



Size 12, 50 ohm matched impedance 3 GHz Coax Contacts



These contacts offer improved frequency response compared to standard coaxial contacts. VSWR is 1.32:1 at 3GHz. Nominal impedance is 50 ohms. Insertion loss at 3GHz is 0.20 dB maximum. Inner contact is rated at 1 amp, the outer contact 12 amps. DWV voltage rating is 1000 VAC at sea level, 250 VAC at 50,000 feet. 5000 megohm insulation resistance. Contacts are packaged individually and shipped unassembled with instruction sheet. Inner and outer contacts are gold-plated copper alloy.

Size 12, 50 Ohm matched impedance 3 GHz Coax Contacts				
Contact Type	Cable Type	Part Number	Termination	Fig.
Pin	M17/113-RG316	852-016-01	Crimp	1
Pin	M17/152-00001(RG316DS)	852-016-02	Crimp	1
Pin	M17/93-RG178	852-016-03	Crimp	1
Pin	TFLEX-405	852-018	Solder	2
Socket	M17/113-RG316	852-015-01	Crimp	3
Socket	M17/152-00001(RG316DS)	852-015-02	Crimp	3
Socket	M17/93-RG178	852-015-03	Crimp	3
Socket	TFLEX-405	852-017	Solder	4

Specifications

- Operating temperature: -65°C to +200°C
- Crimp Tensile Strength:

Wire Size	Tensile Load (lbs.)	
	Inner	Outer
RG316	10.0	15.0
RG316DS	10.0	20.0
RG178	3.5	10.0
TFLEX-405	TBD	TBD

- Low Signal Level Contact Resistance: 25°C

Wire Size	Initial	After Cond.
RG316	55	66
RG316DS	55	66
RG178	120	144
TFLEX-405	TBD	TBD

Construction

- Copper alloy, 50 microinches gold over nickel plating
- Socket Hood: stainless steel, passivated

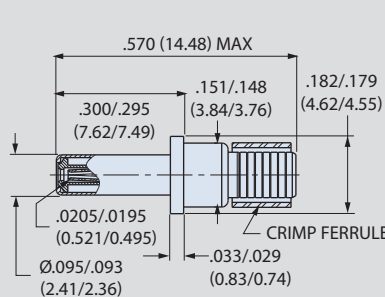


Figure 1

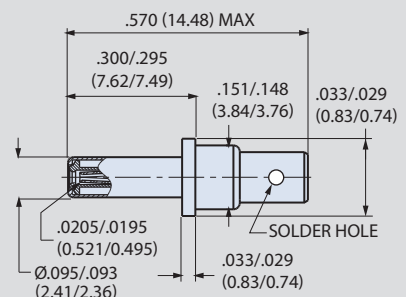


Figure 2

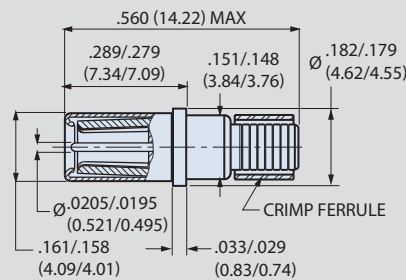


Figure 3

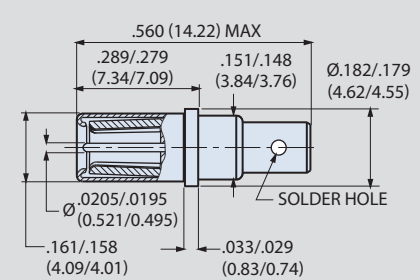


Figure 4

Contact	Inner Contact		Outer Contact		Installation Tool	Removal Tool
	Crimp Tool	Positioner	Crimp Tool	Hex Die		
852-016-01, -02	809-128	859-006	809-129	809-130	M81969	M81969
852-015-01, -02			(M22520/5-01)	(M22520/5-03)		
852-016-03	809-128	859-006	809-129	809-130	M81969	M81969
852-015-03			(M22520/5-01)	(M22520/5-03)		

Series 806 Mil-Aero Connectors



Size 12, 75 Ohm High Frequency Matched-Impedance Coax Contacts



75 ohm coax contacts provide DC – 3 GHz frequency range. Crimp termination. Supplied as unassembled kit with contact body, center contact and outer ferrule. These snap-in, rear-release contacts fit Glenair Series 79 connectors. Gold-plated copper alloy, fluoroplastic insulator.

Size 12 75 Ohm High Frequency Matched-Impedance Coaxial Contacts		
RG Cable	Pin Contact	Socket Contact
RG179 (M17/94-RG179)	852-103-02	852-104-02
V75268, V76261, V73263 (PIC™ Wire and Cable)	852-103-01	852-104-01

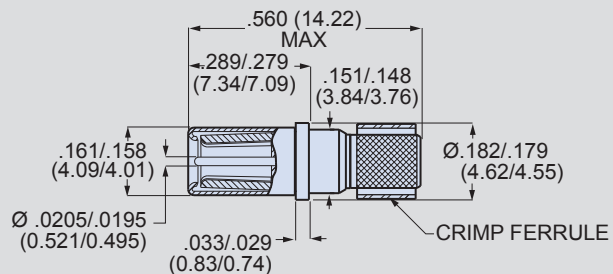
Specifications

- Operating temperature: -65 to +200°C
- Dielectric withstanding voltage: 500 VAC
- Insulation resistance: 5000 megohms min at 200 VDC
- Current rating: 1 ampere
- VSWR: 1.25:1 max. @ 3 GHz
- Impedance: 75 ohm
- Durability: 500 mating cycles
- Shock: EIA-364-27 condition D
- Vibration: EIA-364-28 condition VI, letter J

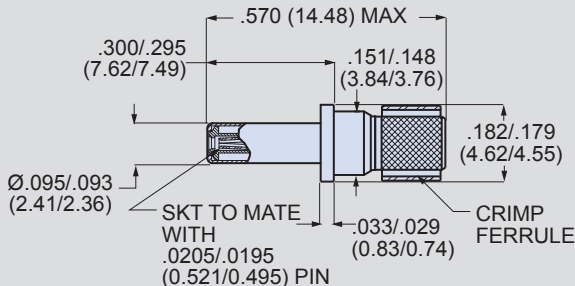
Construction

- Center contact, body, crimp sleeve: copper alloy, 50 microinches gold over nickel plating
- Insulator: fluoroplastic
- Hood: stainless steel, passivated

Socket Contact 852-104-01, -02



Pin Contact 852-103-01, -02



Crimp Tools, Installation/Removal Tool

Contact Part Number	Crimp Tools				Insertion/Removal Tool
	Inner Contact		Shield Crimp Sleeve		
	Crimper	Positioner	Crimper	Positioner	
852-103-01	809-128 (MH992)	859-006 (K1721)	809-133 (M22520/31-01)	859-128 (GP959)	809-132 (M81969/14-04)
852-103-02	809-128 (MH992)	859-006 (K1721)	809-129 (M22520/5-01)	809-130 (M22520/5-03)	809-132 (M81969/14-04)
852-104-01	809-128 (MH992)	859-006 (K1721)	809-133 (M22520/31-01)	859-128 (GP959)	809-132 (M81969/14-04)
852-104-02	809-128 (MH992)	859-006 (K1721)	809-129 (M22520/5-01)	809-130 (M22520/5-03)	809-132 (M81969/14-04)

Series 806 Mil-Aero Connectors

Size 8 Crimp Removable Power Contacts



Military grade. Gold plating. size #8 contacts accept #8 AWG wire. Compatible with Series 806 connectors with size 8 contact cavities. Crimp termination. Bulk packaged.

#8 Power Contacts						
Contact Type	Wire Size AWG	Grommet Follower	Part Number	Crimp Tool	Die Assembly	Locator
Pin	#8	no	850-159	859-025 (M22520/23-01)	859-026 (M22520/23-02)	859-046 or 859-164 (recommended)
Pin	#8	yes	850-159F			
Socket	#8	no	850-158	859-025 (M22520/23-01)	809-026 (M22520/23-02)	
Socket	#8	yes	850-158F			

Specifications

- Operating temperature: -65°C to +200°C
- Current rating 46 A
- DWV:
- Accommodates size #8 AWG wire
- Meets performance requirements of SAE AS39029/45

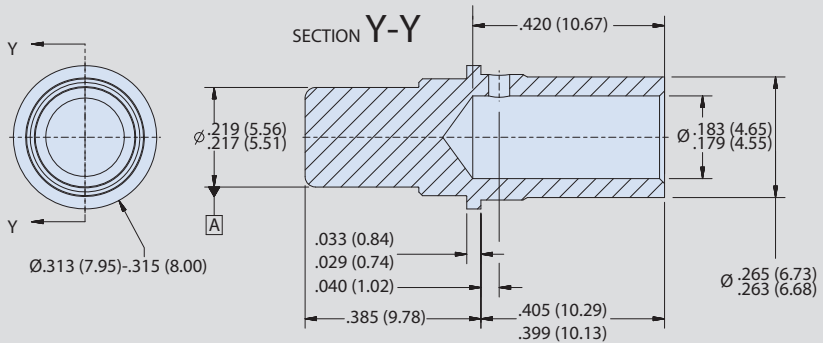
Construction

- Copper alloy, 50 microinches gold over nickel plating

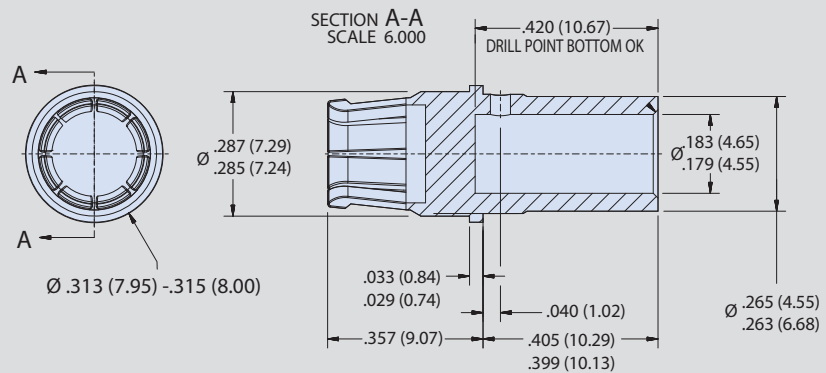
Termination Tools

- Crimp Tool: 859-025 (M22520/23-01)
- Die Assembly: 8569-026 (M22520/23-02)
- Locator: 859-046.
- Spring loaded locator recommended: 859-164

Pin Contact 850-159



Socket Contact 850-158



Series 806 Mil-Aero Connectors

Size 8, 50 Ohm Matched-Impedance Coaxial RF Contacts



Coax Contacts. Compatible with Series 806 connectors with size 8 contact cavities. Crimp termination. 50 Ohm nominal impedance. DC - 6 GHz frequency range. Inner contact is solder type, shield termination is crimp type. Supplied as unassembled kit with contact body, center contact font and rear dielectric, retainer, clamp nut, crimp sleeve, sealing boot and instruction sheet. Contacts are snap-in, rear-release.

PART NUMBER		CABLES ACCOMMODATED	Max Freq.	"A" HEX
PIN	SOCKET			
852-149-01F	852-148-01F	M17/152-00001 (RG316DS)	6 GHz	0.128 (3.25)
852-149-02F	852-148-02F	M17/113-RG316	3 GHz	0.128 (3.25)
852-149-03F	852-148-03F	M17/060-RG142; M17/128-RG400		0.213 (5.41)
852-149-04F	852-148-04F	M17/28-RG58		0.213 (5.41)
852-149-05F	852-148-05F	LLSB-200; LMR-195	2.5 GHz	0.213 (5.41)

Grommet follower (F) optional; omit if not needed

Specifications

- Operating temperature: -65°C to +200°C
- Differential Impedance: 100 Ohms nominal
- Dielectric withstanding voltage: 500 VRMS
- Insulation resistance: 5000 megohms min at 200 VDC

Construction

- Contact Cody: Copper alloy / gold plated
- Inner Contact: Copper alloy / gold plated
- Crimp Ferrule: Brass or equivalent / gold plated
- Insulator: Teflon, Ultem Series 1000 or equivalent
- Grommet follower: see separate drawing

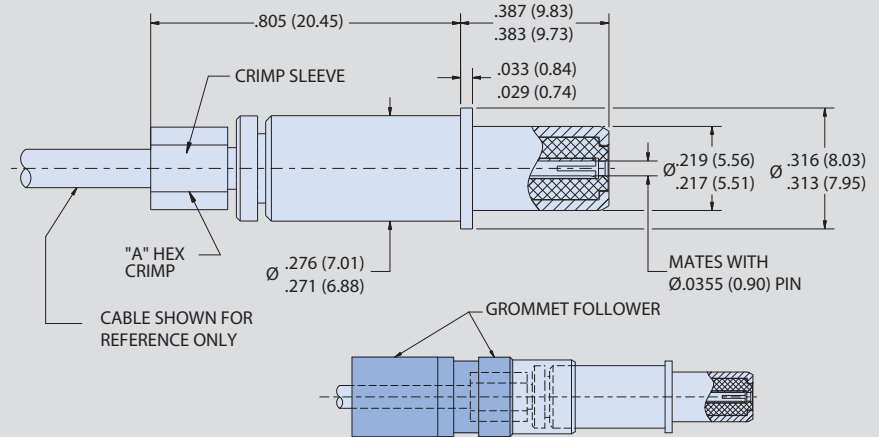
Termination Tools

- For Dash No. -1 thru -5:**
- For -01 and -02**
Inner contact: solder
Outer shield crimp tool: M22520/5-01
Outer shield die sett: M22520/5-03
- For -03, 04, 05**
Center contact: solder
Outer contact crimp tool: M22520/5-01
Outer contact Die-set: M22520/5-05

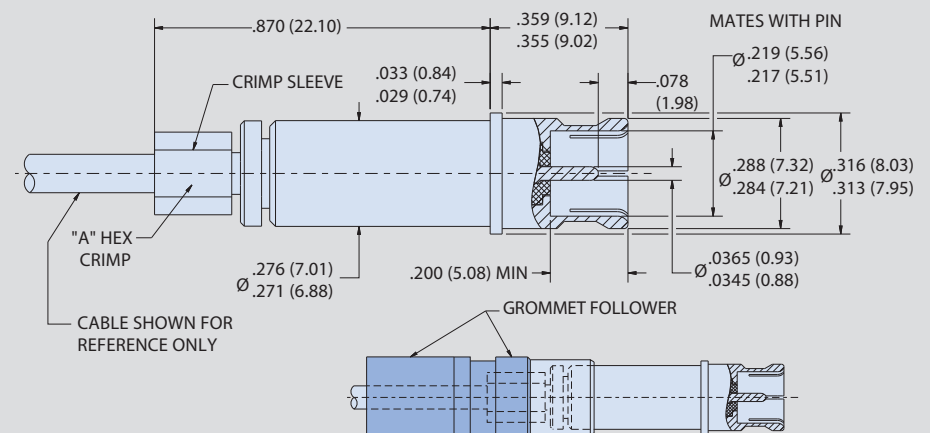
Assembly Instructions

- 852-148-01F: AI85164
- 852-149-01F: AI85165
- 852-148-02F: AI85171
- 852-149-02F: AI85171
- 852-148-03F: AI85172
- 852-149-03F: AI85172
- 852-148-04F: AI85173
- 852-149-04F: AI85173
- 852-148-05F: AI85166
- 852-149-05F: AI85166

Pin Contact 852-149



Socket Contact 852-148



Series 806 Mil-Aero Connectors

Size 8 75 Ohm Matched-Impedance Coaxial RF Contacts



Pin Contact



Socket Contact

Size 8 coax contacts fit aerospace-grade digital video cable. 75 ohm nominal impedance. 0-4 GHz frequency range. Crimp termination. Supplied as unassembled kit with contact body, center contact, outer ferrule and sealing boot. These snap-in, rear-release contacts compatible with all Series 806 layouts with size 8 contact cavities. Gold-plated copper alloy, fluoroplastic insulators.

Size 8, 75 Ohm Matched-Impedance Coaxial Contacts			
Cable	Pin Contact	Socket Contact	A Hex Crimp
V75268, V76261, V73263 (PIC™ Wire and Cable)	852-151-01F	852-150-01F	.218 (5.54)
RG179 (M17/94-RG179)	852-151-02F	852-150-02F	.128 (3.25)
V78209 (PIC™ Wire and Cable)	852-151-03F	852-150-03F	.231 (5.87)
LMR-240-75 (Times Microwave)	852-151-04F	852-150-04F	.231 (5.87)

Grommet follower (F) optional; omit if not needed

Specifications

- Operating temperature: -650C. to +2000C.
- Dielectric withstanding voltage: 500 VAC rms at sea level
- Current rating: 1 ampere
- VSWR: 1.25:1 max. @ 4 GHz
- 75 ohm nominal impedance
- Durability: 500 mating cycles
- Shock: EIA-364-27 condition D
- Vibration: EIA-364-28 condition VI, letter J

Construction

- C Center contact, body, retainer, clamp nut, ferrule: copper alloy, 50 microinches gold over nickel plating
- Front and rear insulator: fluoropolymer
- Sealing boot: fluorosilicone rubber, glass-filled PEI

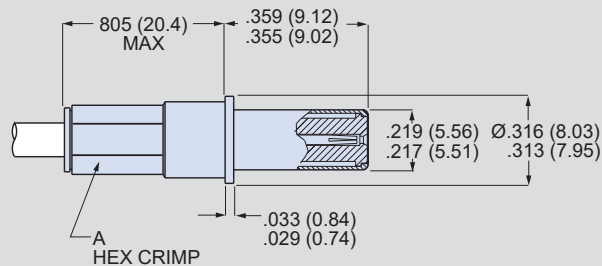
Termination Tools

- Inner contact crimp tool for -01 thru -04: 809-015 (M22520/2-01)
- Inner contact positioner for -01 thru -04: 809-240 (M22520/2-37)
- Outer contact crimp tool for -01 thru -04: 809-129 (M22520/5-01)
- Outer contact hex die P/N 859-047 (M22520/5-45) for contact P/N's: 852-151-01F, 852-150-01F, 852-151-03F, 852-151-04F, 852-150-03F, 852-150-04F
- Outer contact hex die P/N 809-130 (M22520/5-03) for contact P/N's: 852-151-02F, 852-150-02F

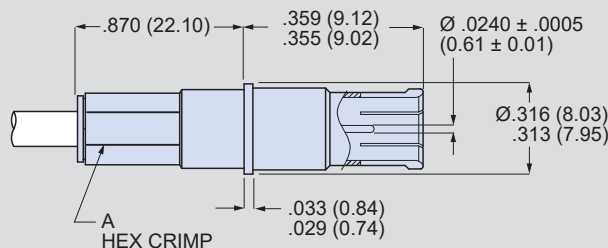
Removal Tool

- 859-049 (M81969/14-12) for contact part numbers 852-151 and 852-150

Pin Contact 852-151



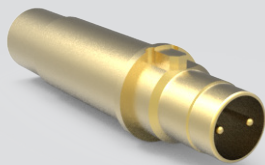
Socket Contact 852-150



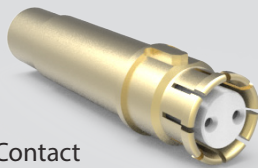
Series 806 Mil-Aero Connectors



Size 8 Differential Twinax Pin and Socket Contacts



Pin Contact



Socket Contact

Specifications

- Operating temperature: -65°C to +200°C
- Differential Impedance: Designed to have the nominal impedance for cables listed in Table I
- Dielectric withstanding voltage:
Between inner contacts: 1000 VRMS
Between inner contacts and body: 500 VRMS
- Insulation resistance: 5000 megohms min at 200 VDC

Construction

- Contact Cody: Copper alloy / gold plated
- Inner Contact: Copper alloy / gold plated
- Crimp Ferrule: Brass or equivalent / gold plated
- Insulator: High grade rigid dielectric

Termination Tools

- Dash No. -1 thru -13:
Inner contact crimp tool: M22520/2-01
Inner contact positioner: M22520/2-37
Outer contact crimp tool: M22520/5-01
Outer contact die-set: M22520/5-45

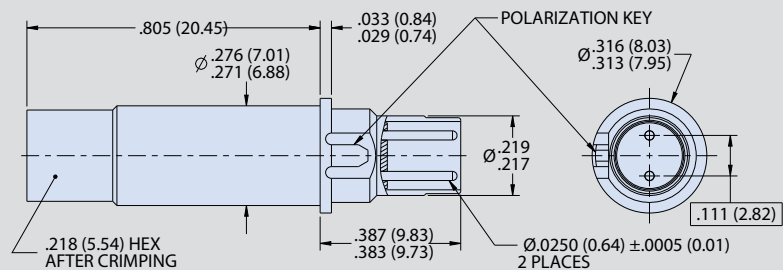
Twinax Contacts. Shielded contacts protect against disruptive radio signals from unshielded sources including magnetic and electrostatic interference. Data rate exceeds 2 Gbps and provides DC – 3 GHz frequency range suitable for High-Speed applications such as Fibre Channel, Ethernet 100 Base-T, 1394b Firewire, and Gigabit Ethernet.

Part Number and Cable Accommodation

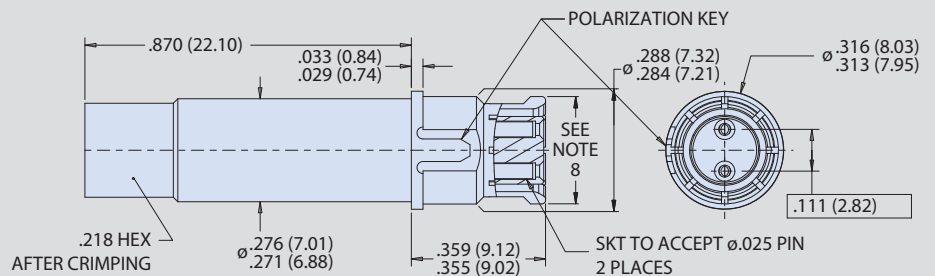
PART NUMBER		CABLES ACCOMMODATED	AWG	REF CABLE IMPEDANCE	ASSEMBLY INSTRUCTIONS
PIN	SOCKET				
853-076-01-F	853-075-01-F	GORE RCN 8945	24	100 OHMS	AI850007
853-076-02-F	853-075-02-F	GSC-03-83971-00	24	100 OHMS	AI850007
853-076-03-F	853-075-03-F	RAYCHEM 10612	24	77 OHMS	AI850007
853-076-04-F	853-075-04-F	RAYCHEM 0024A0024	24	100 OHMS	AI850007
853-076-04-F	853-075-04-F	TENSOLITE 24463/9P025X-2 (LD)S280W502-1	24	100 OHMS	AI850007
853-076-05-F	853-075-05-F	M17/176-00002	24	77 OHMS	AI850007
853-076-05-F	853-075-05-F	5M2022-003	24	75 OHMS	AI850007
853-076-06-F	853-075-06-F	BELDEN 1350SB	24	100 OHMS	AI85029
853-076-07-F	853-075-07-F	TE 2525B0524	24	125 OHMS	AI85050
853-076-08-F	853-075-08-F	CICOIL CLSPEC-1 OR EQUIV	28	100 OHMS	AI85079
853-076-09-F	853-075-09-F	GORE DXN2603 / TE 0028S2664	26/28	100 OHMS	AI85007
853-076-10-F	853-075-10-F	PIC E10222	22	100 OHMS	AI85138
853-076-11-F	853-075-11-F	963-102-30	30	100 OHMS	AI85142
853-076-12-F	853-075-12-F	GORE GSC-05-84308-00	26	100 OHMS	AI85143
853-076-13-F	853-075-13-F	GORE DXN2602	24	100 OHMS	AI85007

Grommet follower (F) optional; omit if not needed

Pin Contact 853-076



Socket Contact 853-075

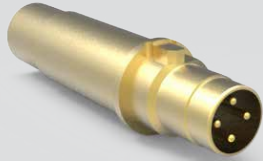


ENVIRONMENTAL, MICRO MINIATURE CIRCULAR

Series 806

Mil-Aero Connectors

Size 8 Quadrax Pin and Socket Contacts



Pin Contact



Socket Contact

Quadrax Contacts. Popular quadrax contacts are well suited for high speed solutions applications such as Gigabit Ethernet, IEEE 802.3Z, and IEEE1394B FireWire-110 Ohm. Crimp termination.

Table I: Contact Part Numbers and Cables Accommodated

PART NUMBER		CABLES ACCOMMODATED	REF CABLE OD	"A" HEX
PIN	SOCKET			
854-047-01F	854-048-01F	TENSOLITE NF26Q100	.137 (3.48)	.218 (5.54)
854-047-02F	854-048-02F	TENSOLITE NF24Q100, PIC E51424	.163 (4.14)	.218 (5.54)
854-047-03F	854-048-03F	DRAKA FILECA F 4704-6	.153 (3.89)	.218 (5.54)
854-047-04F	854-048-04F	DRAKA FILECA F 4704-4	.175 (4.44)	.218 (5.54)
854-047-05F	854-048-05F	TENSOLITE NF22Q100	.190 (4.83)	.231 (5.87)

Specifications

- Operating temperature: -65°C to +200°C
- Differential Impedance: 100 Ohms nominal
- Dielectric withstanding voltage: 500 VRMS
- Insulation resistance: 5000 megohms min at 200 VDC

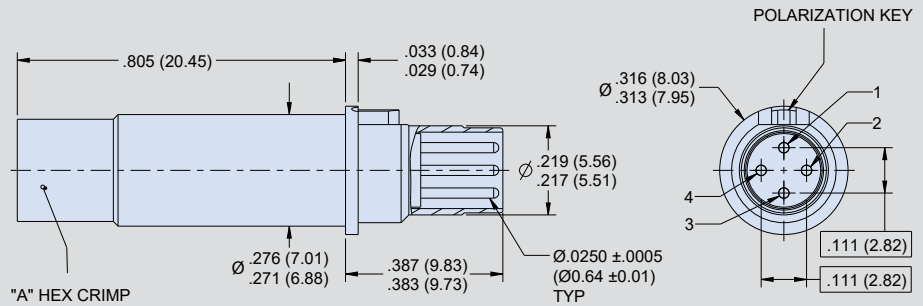
Construction

- Contact CODY: Copper alloy / gold plated
- Inner Contact: Copper alloy / gold plated
- Crimp Ferrule: Brass or equivalent / gold plated
- Insulator: Teflon, ultem series 1000 or equivalent
- Grommet follower: see separate drawing

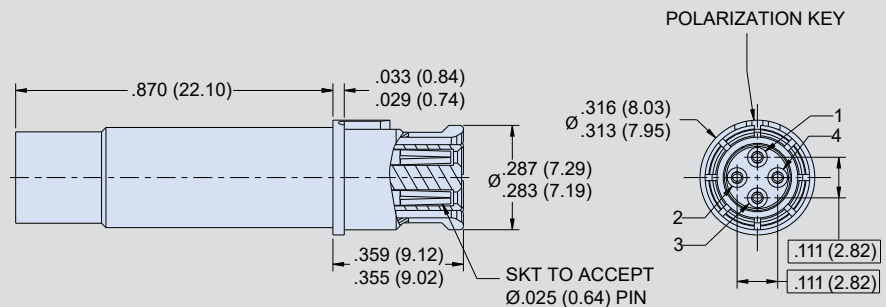
Termination Tools

- Dash No. -1 thru -5:
- Inner contact crimp tool: M22520/2-01
- Inner contact positioner: M22520/2-37.
- Outer contact crimp tool: M22520/5-01
- Outer contact hex die: M22520/5-45

Pin Contact 854-047



Socket Contact 854-048



Series 806 Mil-Aero Connectors

Series 806 Tools and Accessories Selection Guide



CRIMP TOOLS, POSITIONERS AND HEX DIES



809-015
Standard M22520/2-01
Crimper

Use with size #20HD and #22HD Series 806 contacts.

[Page 153](#)



Positioners

Bayonet-type positioners hold contacts at correct height for crimping with 809-015 (M22520/2-01) crimp tool.

[Page 153](#)



809-129
Standard M22520/5-01
Crimper

Use with size #8 twinax and quadrax Series 806 contacts.

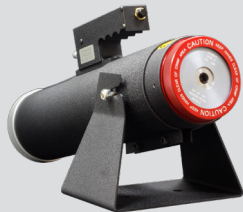
[Page 154](#)



Hex-Dies for

Hex-die crimp affixes coax, twinax and quadrax connectors to end of cable.

[Page 154](#)



829-025
Standard M22520/23-01
Crimper

Use with size #8 Series 806 contacts.

[Page 155](#)



829-025
Standard M22520/23-02
Crimper

Indenter Die Assembly for Series 806 contacts.

[Page 155](#)



Locator

Aluminum locator holds contact at correct depth for crimping.

[Page 155](#)

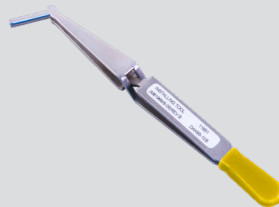
INSERTION / EXTRACTION TOOLS, GROMMET SEALING PLUGS AND DUMMY CONTACT SEALING PLUGS



809-015
Insertion/Extraction tools

Use with size 20HD, 22HD, and 16 Series 806 contacts.

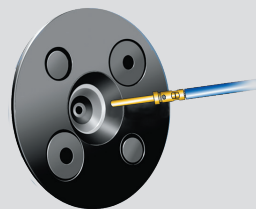
[Page 156](#)



Insertion/Extraction tools

For size 12 power and coax,

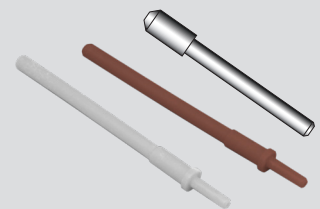
[Page 157](#)



Termination Instructions

For use with #22HD contacts used in Series 806 connectors

[Page 158](#)



Grommet Sealing Plug and Dummy Contact Sealing Plugs

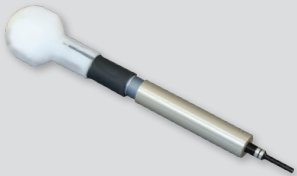
[Page 159](#)

Series 806 Mil-Aero Connectors



Series 806 Tools and Accessories Selection Guide

CONTACT TESTER



809-456

Contact Retention Tester for Series 806

Offers rapid termination of cable shield to band platform

Page 157

SHIELD TERMINATION



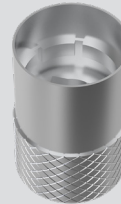
601-108

Nano Band Installation Tool

Offers rapid termination of cable shield to band platform

Page 159

HOLDING TOOLS



600-221

Connector Holding Tool

Assist in installation of backshell by holding connector in place

Page 160

SPANNER WRENCH

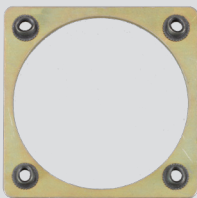


Jam-Nut Wrench

For use with low-profile jam-nuts (809-044)

Page 163

SQ FLANGE NUT PLATE

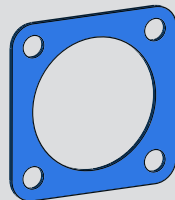


480-003 Nut Plate

Full perimeter nut plate for use with unwired connectors. Use 3/4 perimeter nut plate for wired connectors

Page 161

PANEL GASKET



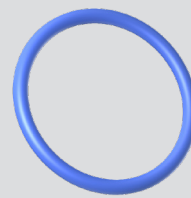
930-017

Square Flange Panel Basket

Creates a seal between square flange and mounting panel

Page 162

O-RING SEALS



M25988/3 or 249-003

O-ring Seal

Fluorosilicone or Viton seals provide sealing between receptacle and the mounting panel

Page 162

LOW PROFILE JAM-NUT



809-044

Ideally suited for panels with tightly spaced multiple connectors

Page 163

HEX JAM-NUT



806-035

Standard jam-nut

Page 164

PROTECTIVE COVER



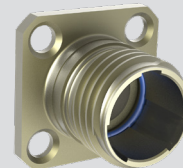
667-441

Protective Cover

Protect unmated connectors with aluminum or SST covers

Page 165

DUMMY STOWAGE



667-441

Storage Receptacle

Protect cabled plug connectors with aluminum or SST dummy stowage receptacles.

Page 168

ENVIRONMENTAL, MICRO MINIATURE CIRCULAR Series 806 Mil-Aero Connectors



Crimp Tools, Positioners, Hex Dies and Insertion/Extraction Tools

CRIMP TOOL FOR #20HD, AND #22HD CONTACTS PLUS CENTER PIN #16, #12, AND #8 RF CONTACTS



809-015 (M22520/2-01) crimper for use with size #20HD and #22HD signal contacts and #8, #12, #16 co-axial and tri-axial Series 806 contacts. Requires positioner, sold separately. These crimp tools perform precision eight indent crimps for wire terminations and excellent tensile strength. Adjustment wheel has 8 settings. Ratchet mechanism prevents improper crimps. Use with bayonet-type positioners. Length is 6.75 inches, weight is approx. 10 oz.

Contact Type	Ref. Contact Part Number		Positioner	
	Pin	Socket	Pin	Socket
#22HD Contact	850-094-1	850-095-1	859-147	809-005
#22HD, Small Dia. Wire	850-094-2	850-095-2	859-148	809-057
#20HD Contact	809-204	809-205	809-206	809-206
#16 Coaxial Inner Contact*	809-114 and 809-115	809-116 and 809-117	809-125 (M22520/2-35)	
#8 Diff. Twinax Inner Contact*	853-076	853-075	M22520/2-37	
#8 Quadrax Inner Contact*	854-047	854-048	M22520/2-37	
#8 Twinax Inner Contact*	854-047	854-048	M22520/2-37	

* Requires outer contact crimp tooling as well, refer to tools below and on following page.

CRIMP TOOL FOR SIZE #12, 3 GHZ COAX CENTER PIN



809-128 special crimper with sharper indenter tips for use with size #12 Series 806, 3 GHz coax center pin. Requires positioner, sold separately. These crimp tools perform precision eight indent crimps for wire terminations and excellent tensile strength. Ratchet mechanism prevents improper crimps. Use with bayonet-type positioners. Length is 6.75 inches, weight is 10 oz.

Contact Description	Ref. Contact Part Number		Positioner
	Pin	Socket	
#12, 3GHz Coaxial Inner Contact	852-016-01, 02, 03	852-015-01, 02, 03	859-006

* Requires outer contact crimp tooling as well, refer to tools below and on following page.

CRIMP TOOL FOR SIZE #12, AND #16 POWER CONTACTS



809-136 (M22520/1-01) crimper for use with size #12, and #16 Series 806 contacts. Requires positioner, sold separately. These crimp tools perform precision eight indent crimps for wire terminations and excellent tensile strength. Adjustment wheel has 8 settings for wire being used. Ratchet mechanism prevents improper crimps. Use with bayonet-type positioners. Length is 9.75 inches, weight is 15 oz.

Contact Description	Ref. Contact Part Number		Positioner
	Pin	Socket	
#16 Contact	809-110	809-111	809-137 (M22520/1-04)
#12 Contact	809-112	809-113	809-137 (M22520/1-04)

Series 806 Mil-Aero Connectors



Crimp Tools, Positioners, Hex Dies and Insertion/Extraction Tools

CRIMP TOOL AND POSITIONER FOR SIZE #16 COAX SHIELD CRIMP SLEEVE



809-127 (M22520/4-01) crimper for use with size #16 coax Series 806 contacts. Requires positioner, ordered separately. These crimp tools perform precision eight indent crimps for wire terminations and excellent tensile strength. Ratchet mechanism prevents improper crimps. Use with bayonet-type positioners. Length is 9.75 inches, weight is 15 oz.

Contact Description	Ref. Contact Part Number		Positioner
	Pin	Socket	
#16 Coaxial Contact	809-114 and 809-115	809-116 and 809-117	809-126 (M22520/4-02)

CRIMP TOOL FOR SIZE #12 COAX SHIELD CRIMP SLEEVE



809-133 (M22520/31-01) crimper for use with size #12 Series 806 coax contacts. Requires positioner, ordered separately. These crimp tools perform precision eight indent crimps for wire terminations and excellent tensile strength. Adjustment wheel has 8 settings for wire being used. Ratchet mechanism prevents improper crimps. Use with bayonet-type positioners. Length is 9.75 inches, weight is 15 oz.

Contact Description	Ref. Contact Part Number		Die Set
	Pin	Socket	
#12 Coaxial Outer Contact	809-118 and 809-119	809-120 and 809-121	809-134 (M22520/31-02)

CRIMP TOOL FOR SIZE #8 TWINAX AND QUADRAX SHIELD CRIMP SLEEVE



Standard 809-129 (M22520/5-01) crimper. Use with size #8 twinax and quadrax Series 806 RF contacts. Requires hex-die, ordered separately. These crimp tools attach contact body to cable. Length is 11 inches, weight is approx. 1.476 lbs. For use with interchangeable coax hex-dies. Dies snap in frame of M22520/5-01 and are held in frame by internal spring clips.

Contact Description	Ref. Contact Part Number		Die Set
	Pin	Socket	
#12, 3GHz Coaxial, Outer Contact	852-016-01, -02	852-015-01, -02	809-130 (M2520/5-03) Hex Die
#12, 3GHz Coaxial, Outer Contact	852-016-03	822-015-03	809-130 (M2520/5-03) Hex Die
#8 Coaxial, Outer Contact	852-149-01, -02	852-148-01, -02	M22520/5-03 Hex Die
#8 Diff. Twinax	853-076	853-075	M22520/5-45
Quadrax	854-047	854-048	M22520/5-45

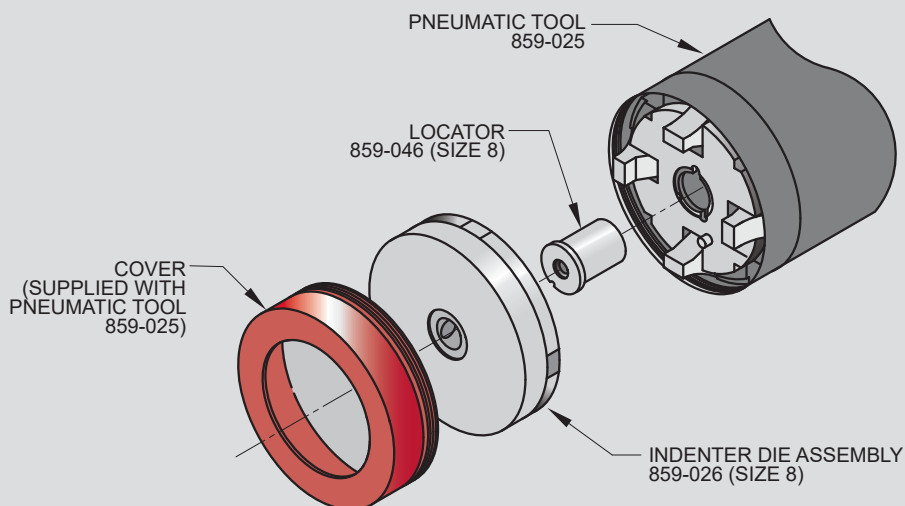
Series 806 Mil-Aero Connectors



Crimp Tools, Positioners, Hex Dies and Insertion/Extraction Tools

PNEUMATIC CRIMP TOOL FOR #8 POWER CONTACTS

The Daniels WA23 pneumatic crimp tool sets the standard for heavy duty crimping chores. This four-indent tool accommodates large power contacts ranging from size 8 through size 0000. Die plates and locators are purchased separately. Qualified to M22520/23, the WA23 tool is specified for use with SAE AS39029 closed barrel copper alloy contacts.



PNEUMATIC CRIMP TOOL



Bench mount heavy duty pneumatic indent crimp tool. Four-indent crimp termination. Use with closed barrel contact sizes 8 through 4/0. Attach to air supply with quick-disconnect fitting or install 1/4 NPT fitting into tapped port. 90-120 psi air supply. Requires die assembly and locator, sold separately. Hand actuate with push-button valve trigger on handle. Steel with black wrinkle enamel coating. 13 inches overall length, 9.2 inches tall, 17 pounds (7.7 Kg).

Description	Part Number	Military Part Number	Daniels Part Number
Pneumatic Crimper	859-025	M22520/23-01	WA23

DIE ASSEMBLY FOR SIZE #8 CONTACTS



Indenter Die Assembly. Precision four-indent die with hardened tool steel indenters, stainless steel housing, aluminum cap. Use with size #8 contacts. Go/ No Go calibration dimensions are stamped on face of tool. Approximately 3.3 inches (84mm.) diameter.

Description	Part Number	Military Part Number	Daniels Part Number
Die Assembly, Size #8	859-026	M22520/23-02	WA23-2

LOCATOR FOR SIZE #8 CONTACTS



Aluminum locator holds contact at correct depth for crimping.

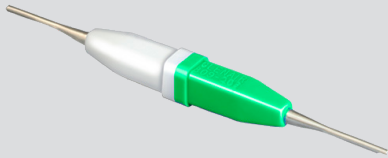
Description	Part Number	Military Part Number	Daniels Part Number
Locator, #8, Special	859-046	(none)	WA23-395L
Locator, #8, Spring Loaded	859-164	(none)	WA23-395SSL

Series 806 Mil-Aero Connectors



Crimp Tools, Positioners, Hex Dies and Insertion/Extraction Tools

INSERTION/EXTRACTION TOOL FOR #20HD CONTACTS

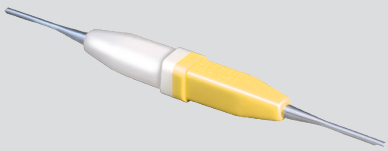


Insertion/Extraction Tool for #20HD Contacts. This tool features molded plastic grips and sturdy stainless steel or thermoplastic tips.

Contact Size	Tip Material	Color	Insertion/Extraction Tool
#20HD	Stainless Steel	Green (Ins.)/White (Ext.)	809-203
#20HD	Thermoplastic	Green (Ins.)/Blue (Ext.)	809-203D*

* Append D for Delrin tip

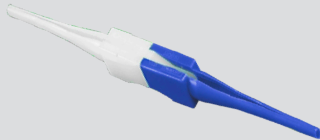
INSERTION/EXTRACTION TOOLS FOR #22HD CONTACTS



Insertion/extraction tool for #22HD contacts. Features molded plastic grips and sturdy stainless steel tips. White/yellow molded handle.

Contact Size	Tip Material	Color	Insertion/Extraction Tool
#22HD	Stainless Steel	Yellow (Ins.)/White (Ext.)	859-163 (M81969/1-05)

INSERTION/EXTRACTION TOOLS FOR #16 POWER CONTACTS



Insertion/Extraction Tool for #16 contacts. For use with power contacts. Economical molded plastic. White extraction tip, blue insertion tip.

Contact Size	Material	Color	Insertion/Extraction Tool
#16	Delrin or Equivalent	Blue (Ins.)/White (Ext.)	809-131 (M81969/14-03)

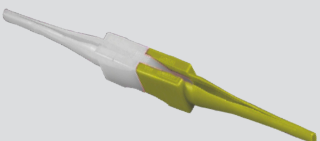
INSERTION/EXTRACTION TOOLS FOR #16, COAX CONTACTS



Insertion/Extraction reverse tweezer for #16 shielded coax contacts. Metal construction.

Contact Size	Material	Color	Insertion/Extraction Tool
#16	Stainless Steel	Blue Tipped Handle	(M81969/8-08)

INSERTION/EXTRACTION TOOLS FOR #12, POWER CONTACTS



Insertion/Extraction tool for #12 power contacts.

Contact Size	Material	Color	Insertion / Extraction Tool
#12	Thermoplastic	Yellow (Ins.)/White (Ext.)	809-132 (M81969/14-04)

Series 806 Mil-Aero Connectors



Crimp Tools, Positioners, Hex Dies and Insertion/Extraction Tools

INSERTION/EXTRACTION TOOLS FOR #12, 50 AND 75 COAX CONTACTS



Insertion/Extraction reverse tweezer for #12 power contacts. Metal construction. Yellow tip handle

Contact Size	Material	Color	Insertion Tool	Extraction Tool
#12	Stainless Steel	Yellow Tipped Handle	(M81969/8-09)	(M81969/8-10)

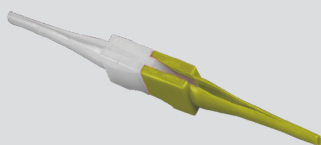
INSERTION/EXTRACTION TOOLS FOR #12, 50 OHM MATCHED IMPEDANCE 3 GHZ COAX CONTACTS



Insertion/Extraction reverse tweezer for #12 power contacts. Metal construction. Blue tip handle

Contact Size	Material	Color	Insertion / Extraction Tool
#12	Stainless Steel	Blue (Ins.)/White (Ext.)	(M81969/8-07)

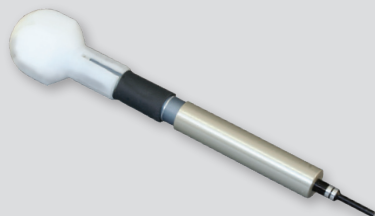
INSERTION/EXTRACTION TOOLS FOR #12, 75 OHM MATHCHED IMPEDANCE 3 GHZ COAX CONTACTS



Insertion/Extraction tool for #12 power contacts. Metal construction. Yellow tip handle

Contact Size	Material	Color	Insertion / Extraction Tool
#12	Thermoplastic	Yellow (Ins.)/White (Ext.)	809-132 (M81969/14-04)

CONTACT RETENTION TESTER FOR SERIES 806



Check for properly seated contacts with this spring-loaded tester. Apply the tool tip to the mating end of a contact. Push on the handle until the spring compresses to the recommended force. A visual indicator shows full compression. The contact is properly retained if it is not displaced. Pin tips are used with pin contacts. Socket tips are used with socket contacts. Complete kit options available, or order the tips and handles separately.

Contact Size	Component Option	Contact Tester
#22HD	1 = Handle 2 = Pin Tip 3 = Socket Tip 4 = Complete Kit (Includes Quantity 1 Of Handle, Pin Tip & Socket Tip)	809-456

Series 806 Mil-Aero Connectors



Crimp Tools, Positioners, Hex Dies and Insertion/Extraction Tools

HOW TO TERMINATE, INSTALL AND REMOVE SIZE #22 CONTACTS

1 Set Up Crimp Tool. Install proper positioner into crimp tool. The label on the positioner shows the proper tool setting for each wire size. Turn the adjustment wheel to the correct setting.

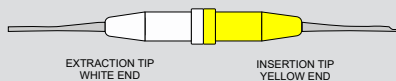
2 Strip Wire. Remove wire insulation, taking care to avoid nicking or cutting wire strands. Strip wire to length shown.

3 Insert wire into contact. The wire should be visible in the inspection hole.

4 Insert contact into crimp tool as shown. Make sure that the contact is fully inserted into the tool. Squeeze handle completely. The ratchet mechanism will not allow a partial crimp. Release handle and remove contact.

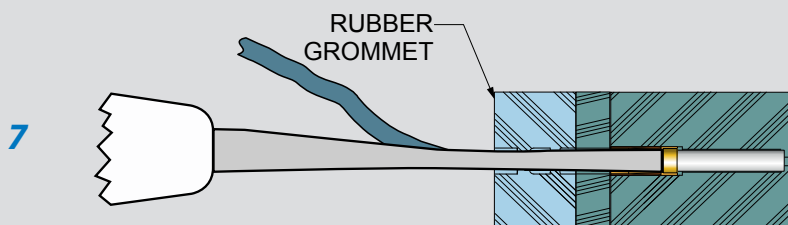
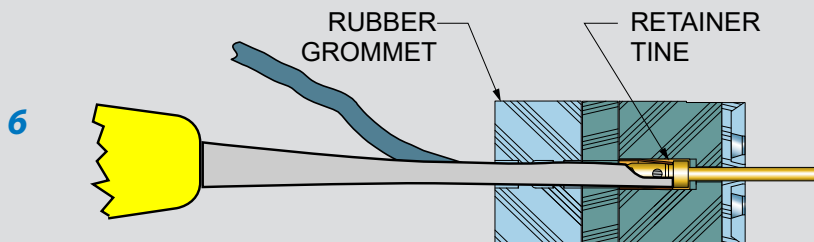
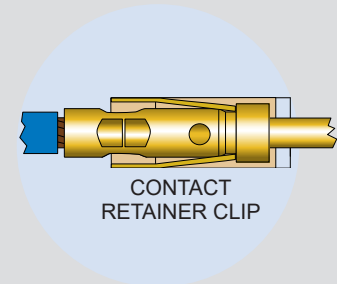
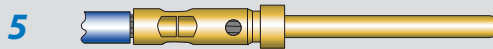
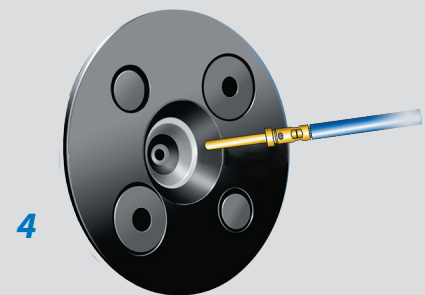
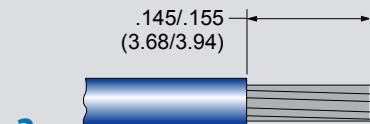
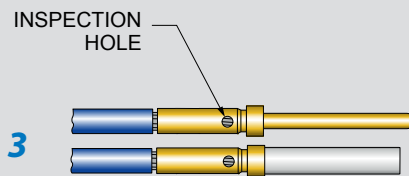
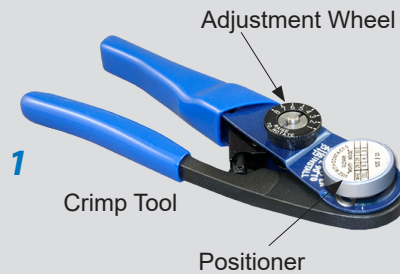
5 Inspect crimped contact. Wire should be fully inserted and the crimp should be uniform in appearance.

Insertion/Extraction Tool 859-163



6 Install contact into connector. Push the contact through the rear grommet until the contact locks into place. This can usually be done by hand without the need for a tool. If the wire gage is #26 or smaller, a tool is helpful. There are two techniques for installing contacts with a tool. One method is to push the contact in by hand, then use the tool to finish the insertion. The other method is to position the insertion tip against the contact shoulder, then insert the contact. Use insertion/extraction tool 859-163 to install contacts. Slide the wire into the groove on the yellow end of the tool. Slide the tool tip up the contact until it touches the contact shoulder. **USE CARE TO AVOID DAMAGING THE CONNECTOR.**

7 Contact Extraction. Use tool 859-163. The white end is used for contact extraction. First, push the wire into the groove of the metal tip. Slide the tip of the tool into the connector. Push the tool into the connector cavity until the tip bottoms in the connector. Avoid wiggling or rocking the tip. This may damage the cavity. A straight push is best. Pinch the wire between your finger and the white plastic grip and slide the tool and contact out of the connector. **Wire insulation diameter greater than 0.045 inches (1.14mm) is too large to work properly with the extraction tool. connector damage is possible.**

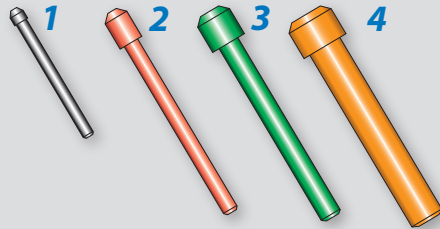


ENVIRONMENTAL, MICRO MINIATURE CIRCULAR Series 806 Mil-Aero Connectors

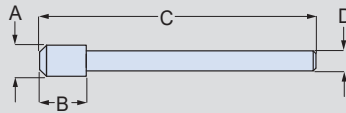


Grommet Sealing Plugs, Dummy Contact Sealing Plugs, Band-Master ATS

GROMMET SEALING PLUGS



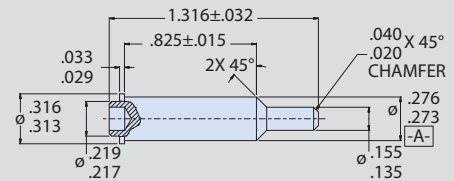
Reference Dimension Callouts for Figures 1 thru 4 above



Grommet sealing plugs are used to seal unwired contact cavities. After installing unwired contacts into unused cavities, insert knob end of sealing plug into grommet until it bottoms against the unwired contact. Size 8 sealing plug dimensions shown below chart.

Fig.	Cavity Size	Color	Part Number	Military Part Number	A Ref. in.	A Ref. mm.	B Ref. in.	B Ref. mm.	C Ref. in.	C Ref. mm.	D Ref. in.	D Ref. mm.
1	#22HD	Black	859-021	MS27488-22-2	.062	1.57	.125	3.18	.668	16.97	.042	1.07
2	#20HD	Red	859-012	MS27488-20-2	.085	2.16	.125	3.18	.780	19.81	.053	1.35
3	#16	Green	859-013	MS27488-16-12	.074	1.88	.88	22.4	.125	3.18	.125	3.18
4	#12	Orange	859-014	MS27488-12-2	.120	3.05	.85	21.6	.165	4.19	.125	3.18

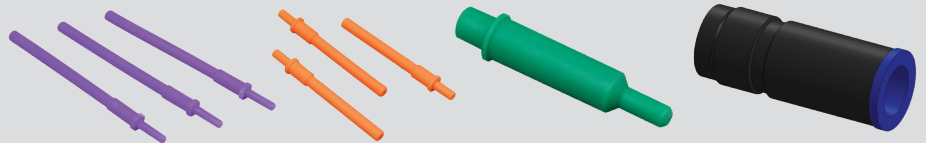
Size 8 sealing plug dimensions only



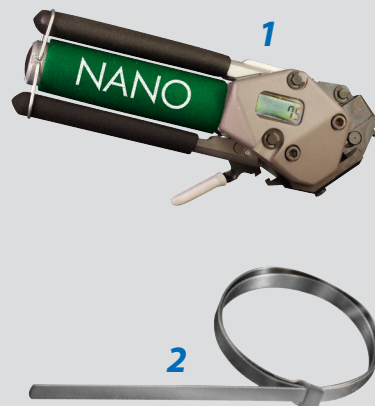
DUMMY CONTACT SEALING PLUGS

Size	Color	Part Number
#22HD	Bone	680-120-22HD
#20HD	Red	680-120-20HD
#20	Red	680-116-20
#16	Violet	680-116-16
#12	Orange	680-116-12
#8	Green	680-116-8
#8 w/boot	Green	680-116-8B

Dummy Contact Sealing Plugs (DCSP) are a weight-saving alternative to using grommet sealing plugs and unwired contacts. DCSP plugs replace both contact and sealing plug in one piece.



NANO BAND-MASTER ATS® SHIELD TERMINATION SYSTEM

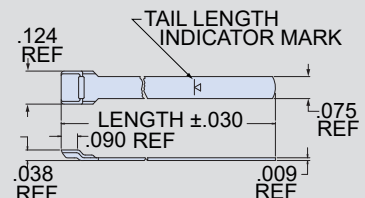


Fast, cost-effective shield termination. Attach cable shields to Series 806 connectors with low profile, lightweight Nano **Band-Master**® stainless steel straps. The **Band-Master**® system offers fast termination and the flexibility to handle a wide range of parts with just one band size. Approved for aerospace and defense, these straps have successfully passed rigorous shock, vibration and environmental testing.

1 Nano Band Installation Tool. Use with .075" (1.90 mm) wide nano bands. 6.75 inches (172 mm.) length, 1.2 pounds (0.6 Kg). Tool is factory-calibrated at 50 ± 3 pounds (222.4 N ± 13.3). LED calibration counter.

Description	Part Number
Nano Band Installation Tool	601-108

2 Nano Band, .075" (1.90 mm) wide. Available in three lengths, flat or pre-coiled. 300 series stainless steel, passivated.



Length		Part Number		Accommodates Diameter	
in.	mm.	Flat	Pre-Coiled	in.	mm.
6.000	152.40	601-500	601-501	.60	15.24
9.000	228.60	601-504	601-505	.94	23.88
14.000	355.60	601-508	601-509	1.88	47.75

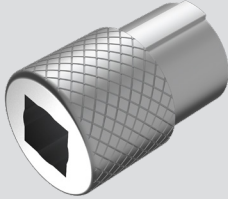
Contact Glenair or visit our website (glenair.com/bandmaster) to view our complete line of **Band-Master ATS**® products, including pneumatic tools for high volume production and calibration kits.

Series 806 Mil-Aero Connectors

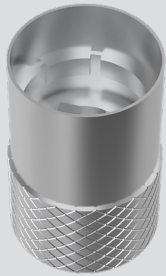
600-221 Connector Holding Tool

600-221 SERIES 806 CONNECTOR HOLDING TOOLS

Connector holding tools keep connectors stationary while tightening coupling nut of backshell onto connector. Nickel-plated alloy steel. Tool fits ¼ inch square socket drive.



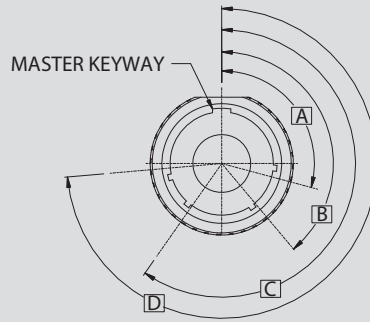
Receptacle holding tool



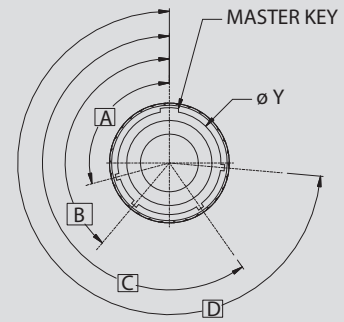
Plug holding tool

600-221	-11	P	A	K
Basic Part No	Shell Size	P = Plug R = Receptacle	Polarization A, B, C, D, E or F	Add "K" for full kit in designated polarization

Shell Size	Recommended Backshell Torque (In-Lbs)		
	Standard Min/Max	Composite Min/Max	High Vibration Min/Max
7	25/35	17/22	35/45
8	25/35	20/25	42/52
9	30/40	20/30	51/61
10	30/40	20/30	63/73
11	30/40	20/30	71/81
12	30/40	25/35	79/89
14	35/45	25/35	105/115
16	35/45	25/35	111/121
18	35/45	30/40	111/121
20	35/45	30/40	111/121
22	75/85	35/45	131/141
24	75/85	35/45	131/141



Plug Holder
Polarization Keyway



Receptacle Holder
Polarization Key

ENVIRONMENTAL, MICRO MINIATURE CIRCULAR

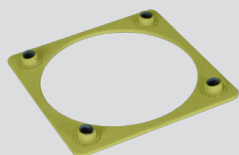
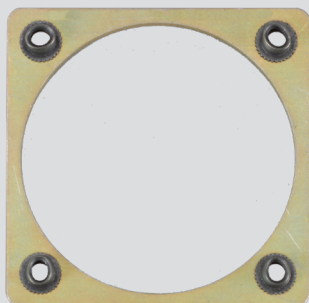
Series 806

Mil-Aero Connectors

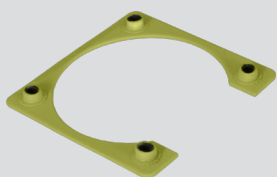
480-003 Nut Plates



480-003 NUT PLATES



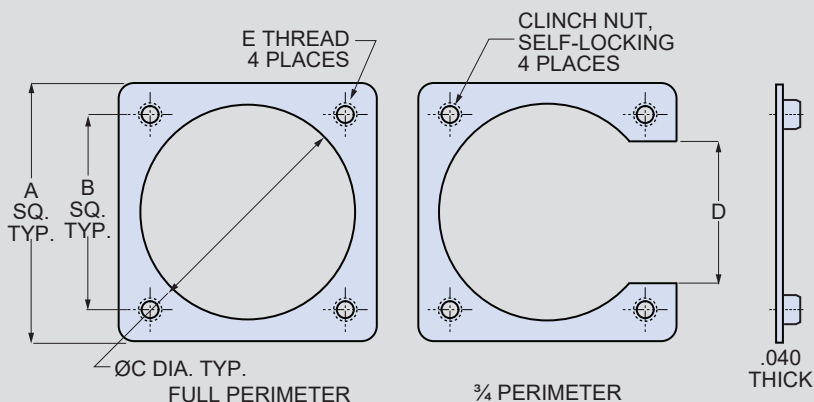
1 Full perimeter nut plate. Assemble over wires before connector termination. Shown with epoxy primer coating.



2 3/4 perimeter nut plate for installation on pre-wired assemblies. Shown with epoxy primer coating.

Nut plates speed up connector installation and eliminate dropped hardware in hard-to-reach locations. For use with Series 806 square flange panel mount connectors. Two styles: full perimeter and 3/4 perimeter. Install full perimeter plate over wires before terminating the connector. 3/4 perimeter version can be installed on wired connectors. Aluminum plate with self-locking stainless steel female clinch nuts. Plate is coated with chem film per MIL-DTL-5541 Class 1A, or, for maximum corrosion protection choose epoxy primer coating.

How To Order					
SAMPLE PART NUMBER		480-003	E	12	B
Product	480-003 = Nut Plate for Series 806 Receptacles				
Finish	E = Chem film EAP = Epoxy primer coating				
Shell Size	7 8 9 10 11 12 14 16 18 20 22 24				
Style	A = full perimeter (Fig. 1) B = 3/4 perimeter (Fig. 2)				
Clinch Nut Thread Size	Omit = standard UNC threads M = metric threads				



Construction

- Plate: aluminum alloy
- Code E finish: chemical conversion coating per MIL-DTL-5541 Class 1A
- Code EAP finish: epoxy primer per MIL-PRF-23377 Type 1
- Clinch nuts: stainless steel, passivated

Shell Size	A Typ		B		C		D		E	
	In.	mm.	In.	mm.	In.	mm.	In.	mm.	UNC	Metric
7	.740	18.80	.469	11.91	.433	11.00	.201	5.11	4-40	M3 x 0.5
8	.812	20.62	.531	13.49	.494	12.54	.263	6.68	4-40	M3 x 0.5
9	.875	22.23	.594	15.09	.562	14.27	.326	8.28	4-40	M3 x 0.5
10	.903	22.94	.625	15.88	.630	16.00	.357	9.07	4-40	M3 x 0.5
11	.950	24.13	.670	17.02	.697	17.70	.402	10.21	4-40	M3 x 0.5
12	1.028	26.11	.765	19.43	.753	19.13	.497	12.62	4-40	M3 x 0.5
14	1.123	28.52	.859	21.82	.875	22.23	.591	15.01	4-40	M3 x 0.5
16	1.217	30.91	.938	23.83	1.000	25.40	.670	17.02	4-40	M3 x 0.5
18	1.308	33.22	1.016	25.81	1.110	28.19	.748	19.00	4-40	M3 x 0.5
20	1.434	36.42	1.109	28.17	1.260	32.00	.789	20.04	6-32	M4 x 0.7
22	1.560	39.62	1.203	30.56	1.385	35.18	.883	22.43	6-32	M4 x 0.7
24	1.686	42.82	1.312	33.32	1.510	38.35	.992	25.20	6-32	M4 x 0.7

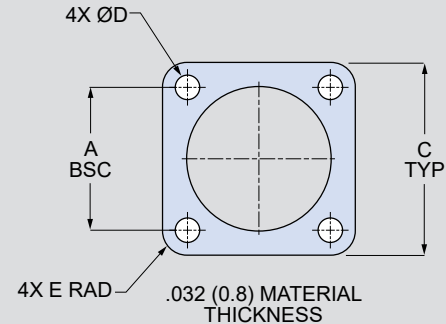
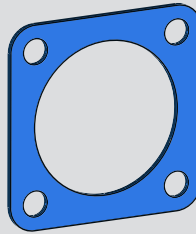
Series 806 Mil-Aero Connectors



Panel Gaskets and Jam-Nut Receptacle Replacement O-rings

PANEL GASKETS FOR SERIES 806 SQUARE FLANGE RECEPTACLES

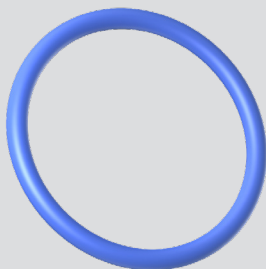
These flange gaskets provide sealing between square flange receptacles and the mounting panel. Choose fluorosilicone, Viton®, silver-plated aluminum-filled silicone (MIL-DTL-83528 Type B) or passivated silver-plated aluminum-filled fluorosilicone (MIL-DTL-83528 Type D).



Shell Size	Non-Conductive Elastomer		Conductive Elastomer		DIMENSIONS									
	Fluorosilicone	Viton®	Silicone MIL-DTL-83528 Type B	Fluorosilicone MIL-DTL-83528 Type D	A BSC		Ø B		C		D		E RAD	
					In.	mm.	In.	mm.	In.	mm.	In.	mm.	In.	mm.
7	930-017F-12	930-017V-12	930-017C-12	930-017X-12	.469	11.9	.453	11.5	.743	18.9	.131	3.33	.130	3.30
8	930-017F-1	930-017V-1	930-017C-1	930-017X-1	.531	13.49	.515	13.08	.815	20.70	.131	3.33	.130	3.30
9	930-017F-2	930-017V-2	930-017C-2	930-017X-2	.594	15.09	.582	14.78	.878	22.30	.131	3.33	.130	3.30
10	930-017F-3	930-017V-3	930-017C-3	930-017X-3	.625	15.88	.650	16.51	.906	23.01	.131	3.33	.130	3.30
11	930-017F-4	930-017V-4	930-017C-4	930-017X-4	.670	17.02	.717	18.21	.953	24.21	.131	3.33	.130	3.30
12	930-017F-5	930-017V-5	930-017C-5	930-017X-5	.765	19.43	.773	19.63	1.031	26.19	.131	3.33	.130	3.30
14	930-017F-6	930-017V-6	930-017C-6	930-017X-6	.859	21.82	.895	22.73	1.126	28.60	.131	3.33	.090	2.29
16	930-017F-7	930-017V-7	930-017C-7	930-017X-7	.938	23.83	1.020	25.91	1.220	30.99	.157	3.99	.130	3.30
18	930-017F-8	930-017V-8	930-017C-8	930-017X-8	1.016	25.81	1.130	28.70	1.311	33.30	.157	3.99	.090	2.29
20	930-017F-9	930-017V-9	930-017C-9	930-017X-9	1.109	28.17	1.280	32.51	1.437	36.50	.157	3.99	.130	3.30
22	930-017F-10	930-017V-10	930-017C-10	930-017X-10	1.203	30.56	1.405	35.69	1.563	39.70	.157	3.99	.130	3.30
24	930-017F-11	930-017V-11	930-017C-11	930-017X-11	1.312	33.32	1.530	38.86	1.689	42.90	.157	3.99	.180	4.57

O-RINGS FOR SERIES 806 JAM-NUT RECEPTACLES

Replace damaged O-rings with standard mil spec fluorosilicone O-rings or, for added EMI protection, select O-rings made of silver-plated aluminum-filled silicone (MIL-DTL-83528 Type B) or passivated silver-plated aluminum-filled fluorosilicone (MIL-DTL-83528 Type D).



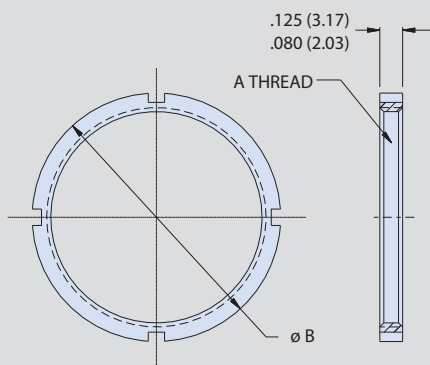
Shell Size	Size (ID x W)	Fluorosilicone (Non-conductive)	MIL-DTL-83528	MIL-DTL-83528
			Type B Conductive Silicone	Type D Conductive Fluorosilicone
7	.489 x .055	M25988/3-016	249-003-806-07-B	249-003-806-07-C
8	.676 x .070	M25988/3-017	249-003-806-08-B	249-003-806-08-C
9	.739 x .070	M25988/3-018	249-003-806-09-B	249-003-806-09-C
10	.801 x .070	M25988/3-019	249-003-806-10-B	249-003-806-10-C
11	.864 x .070	M25988/3-020	249-003-806-11-B	249-003-806-11-C
12	.926 x .070	M25988/3-021	249-003-806-12-B	249-003-806-12-C
14	1.051 x .070	M25988/3-023	249-003-806-14-B	249-003-806-14-C
16	1.176 x .070	M25988/3-025	249-003-806-16-B	249-003-806-16-C
18	1.301 x .070	M25988/3-027	249-003-806-18-B	249-003-806-18-C
20	1.424 x .103	M25988/3-127	249-003-806-20-B	249-003-806-20-C
22	1.549 x .103	M25988/3-129	249-003-806-22-B	249-003-806-22-C
24	1.737 x .103	M25988/3-132	249-003-806-24-B	249-003-806-24-C

Series 806 Mil-Aero Connectors

809-444 Low Profile Jam-nut, 600-246 Spanner tool



SERIES 806 LOW PROFILE JAM-NUT



Replace standard hex-profile jam-nuts with special Series 806 low-profile jam-nuts. Ideal for use when multiple receptacles are mounted close together on a box interface.

809-444	-ME	8
Product Series and Basic Number	Material and Finish See Table II	Dash Number, See Table I

Dash No.	Thread A	B ±.020 Dia.
7	M13 x 1.0-6H	.705 (17.91)
8	M15 x 1.0-6H	.766 (19.46)
9	M16 x 1.0-6H	.829 (21.06)
10	M18 x 1.0-6H	.891 (22.63)
11	M19 x 1.0-6H	.954 (24.23)
12	M21 x 1.0-6H	1.016 (25.81)
14	M24 x 1.0-6H	1.149 (29.18)
16	M27 x 1.0-6H	1.272 (32.31)
18	M30 x 1.0-6H	1.397 (35.48)
20	M34 x 1.0-6H	1.567 (39.80)
22	M37 x 1.0-6H	1.690 (42.93)
24	M41 x 1.0-6H	1.880 (47.75)

Class	Material	Finish Description
ME		Electroless nickel
MT		Nickel-PTFE
NF	Aluminum	Olive drab cadmium over electroless nickel finish
ZR		Zinc nickel black over electroless nickel. RoHS compliant
Z1	Stainless Steel	Passivate
ZL	Steel	Electrodeposited nickel

600-246 SERIES 806 CONNECTOR LOW-PROFILE JAM-NUT SPANNER TOOL

Tool used to tighten Series 806 low-profile jam-nuts. Fits 3/8" torque wrench socket drive. Heat-treated steel, nickel plated.



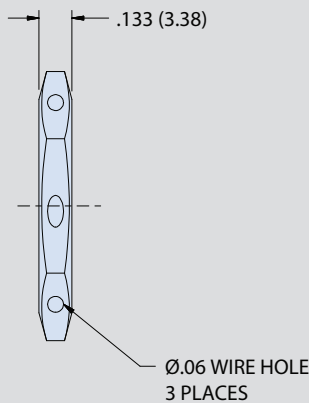
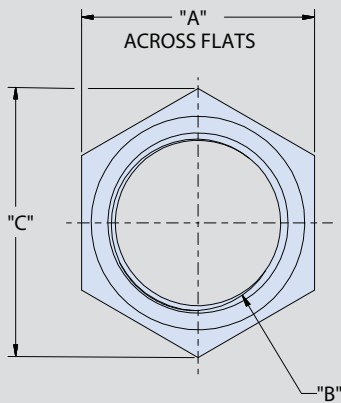
Shell Size	Part Number	Jam-nut Torque In-Lbs.		Jam-nut Thread Size Reference
		Min.	Max.	
7	600-246-7	20	25	M13 x 1.0-6H
8	600-246-8	20	25	M15 x 1.0-6H
9	600-246-9	20	25	M16 x 1.0-6H
10	600-246-10	25	30	M18 x 1.0-6H
11	600-246-11	25	30	M19 x 1.0-6H
12	600-246-12	25	30	M21 x 1.0-6H
14	600-246-14	25	30	M24 x 1.0-6H
16	600-246-16	25	30	M27 x 1.0-6H
18	600-246-18	25	30	M30 x 1.0-6H
20	600-246-20	25	30	M34 x 1.0-6H
22	600-246-22	25	30	M37 x 1.0-6H
24	600-246-24	25	30	M41 x 1.0-6H
All Shell Sizes	600-246-KIT	25	30	All Listed Above

ENVIRONMENTAL, MICRO MINIATURE CIRCULAR
Series 806
Mil-Aero Connectors
 Series 806 Hex Jam-Nut with Wire Holes



SERIES 806 HEX JAM-NUT

Replace lost or damaged hex jam-nuts with these standard replacement parts. Jam-nut fits all Series 80 jam-nut receptacles. Use with Glenair tool 600-146



How To Order					
SAMPLE PART NUMBER		806-035	ME	10	W
Product	806-035 = Jam-nut for Series 806 jam-nut receptacles				
Finish	See Table I for material and finish options				
Shell Size	7 8 9 10 11 12 14 16 18 20 22 24				
Wire Hole	W = Wire hole; omit for none				

Table I: Dimensions			
Shell Size	"A" Hex	B Thread	C
7	.76 (19.30)	M8 x 1.06h 0.100 R	.88 (22.35)
8	.82 (20.83)	M15 x 1.06h 0.100 R	.92 (23.37)
9	.86 (21.84)	M16 x 1.06h 0.100 R	.97 (24.64)
10	.94 (23.88)	M18 x 1.06h 0.100 R	1.06 (26.92)
11	.98 (24.89)	M19 x 1.06h 0.100 R	1.10 (27.94)
12	1.06 (26.92)	M21 x 1.06h 0.100 R	1.19 (30.23)
14	1.26 (32.00)	M24 x 1.06h 0.100 R	1.42 (36.07)
16	1.31 (33.27)	M27 x 1.06h 0.100 R	1.48 (37.59)
18	1.41 (35.81)	M30 x 1.06h 0.100 R	1.60 (40.64)
20	1.58 (40.13)	M34 x 1.06h 0.100 R	1.79 (45.47)
22	1.71 (43.43)	M37 x 1.06h 0.100 R	1.94 (49.28)
24	1.86 (47.24)	M41 x 1.06h 0.100 R	2.12 (53.85)

Table I: Dimensions		
Code	Material	Finish
NF	Aluminum Alloy	Cad/O.D. over Electroless Nickel
MT	Aluminum Alloy	Nickel-PTFE
ME	Aluminum Alloy	Electroless Nickel (96 hour sale spray)
ZR	Aluminum Alloy	Zinc Ni, Black (ti-valent cr)
Z1	Stainless Steel	Passivate
ZL	Stainless Steel	Electro-deposited nickel

Series 806 Mil-Aero Connectors

Protective Covers 667-440, 667-441 and 667-443

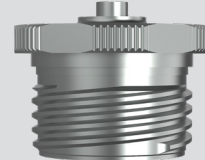
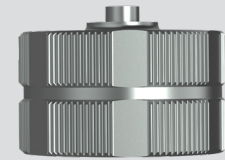
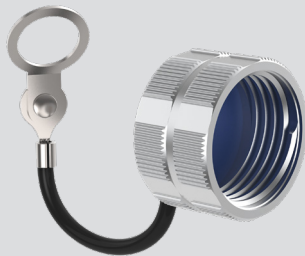


Figure 1
667-440 Receptacle Cover

Figure 2
667-441 Plug Cover

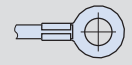
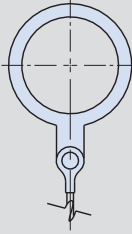
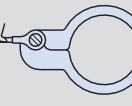
Figure 3
667-443 Self-Locking Receptacle Cover

Protect unmated Series 806 connectors with thread-on covers. IP68 ingress protection. Aluminum, stainless steel or composite material. Self-locking receptacle cover features anti-decoupling mechanism for resistance to loosening under vibration.

Construction

- Cover: aluminum alloy, high grade engineering thermoplastic or stainless steel. See ordering info for finish options
- O-ring, gasket: fluorosilicone
- Hardware: stainless steel, passivated
- Lanyard: see Table 1

Table 2 Ring Codes

Ring Type	Ring Code	Inside Diameter	
		In.	mm.
No Ring	00	—	—
 Ring Terminal	04	.126	3.20
	06	.145	3.68
	08	.188	4.78
	10	.197	5.00
	12	.423	10.74
	14	.481	12.22
	16	.560	14.22
	18	.600	15.24
	20	.635	16.13
	22	.695	17.65
	24	.715	18.16
	26	.766	19.46
	28	.845	21.46
	30	.885	22.48
	32	.950	24.13
	 Solid Ring	34	1.015
36		1.070	27.18
38		1.135	28.83
40		1.210	30.73
42		1.275	32.39
44		1.380	35.05
46		1.470	37.34
48		1.625	41.28
50		.432	10.97
52		.492	12.50
 Split Ring	54	.648	16.46
	56	.757	19.23
	58	.898	22.81
	60	1.023	25.98
	64	1.137	28.88
	68	1.357	34.47

How To Order

SAMPLE PART NUMBER		667-441	ME	12	U	01	-6
Product	667-440 = Receptacle cover (fig. 1) 667-441 = Plug cover (fig. 2) 667-443 = Receptacle cover, self-locking (fig. 3)						
	Material/ Finish	Material	Finish	Code			
Material/ Finish	Aluminum		Electroless Nickel	ME			
			Nickel-PTFE	MT			
			Olive Drab Cadmium	NF			
	Stainless Steel		Black Zinc-Nickel	ZR			
			Passivate	Z1			
	Composite		Electroless Nickel	XMD			
		Olive Drab Cadmium	XW				
		Black Unplated	XB				
		Violet Unplated (Fiber)	XV				
Shell Size	7 8 9 10 11 12 14 16 18 20 22 24						
Attachment Lanyard (Table 1)	N = No attachment G = Nylon rope SK = Nylon rope with slip knot U = SST rope with polyurethane coating H = SST rope with high temperature translucent FEP jacket S = Sash chain, #8, SST						
Attachment Ring Code (Table 2)	Omit for attachment types N and SK See Table 2 for ring styles and sizes						
Attachment Length	Omit for attachment type N Lanyard length in inches						

Table 1 Attachment Lanyards

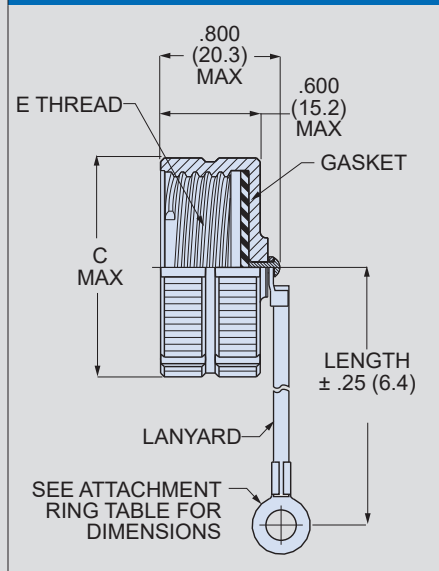
 Nylon Rope (G) -55° to +100°C, black, very flexible, very good abrasion resistance, good resistance to fuels, .120" (3mm) diameter	 Sash Chain (S) Stainless steel, #8 chain, .240" (6mm)
 Polyurethane Coated Wire Rope (U) Black polyurethane over stainless steel rope, -55° to +125°C, very flexible, excellent abrasion resistance, excellent resistance to fuels, .080" (2mm) diameter	 Slip Knot (SK) 55° to +100°C, black, very flexible, very good abrasion resistance, good resistance to fuels, .120" (3mm) diameter. Length includes .5" (13mm) diameter loop.
 Teflon® Jacketed Wire Rope (H) Translucent FEP jacket over stainless steel, -55° to +200°C, fair flexibility, good abrasion resistance, .100" diameter	

Series 806 Mil-Aero Connectors

Protective Covers 667-440, 667-441 and 667-443

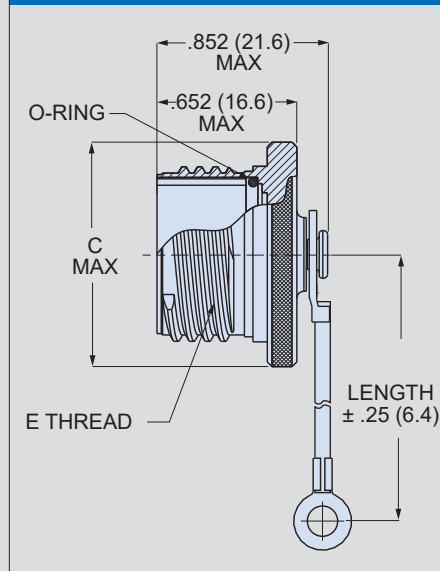


667-440 Receptacle Cover



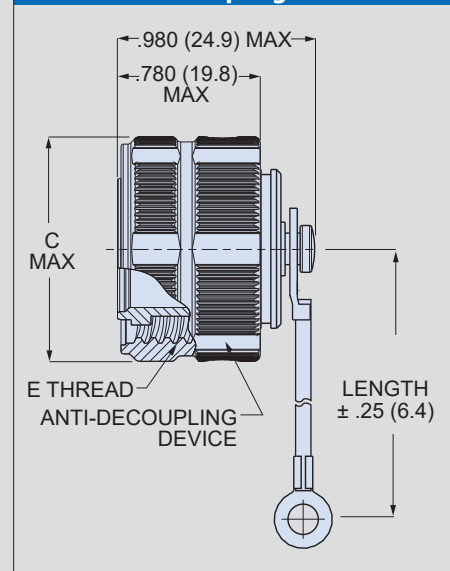
Shell Size	ØC Max		E Thread
	In.	mm.	
7	.600	15.2	.4375-.067P-.2L-TS-2B
8	.640	16.3	.5000-.067P-.2L-TS-2B
9	.703	17.8	.5625-.067P-.2L-TS-2B
10	.765	19.4	.6250-.067P-.2L-TS-2B
11	.828	21.0	.6875-.067P-.2L-TS-2B
12	.890	22.6	.7500-.067P-.2L-TS-2B
14	1.015	25.8	.8750-.067P-.2L-TS-2B
16	1.140	30.0	1.0000-.067P-.2L-TS-2B
18	1.265	32.1	1.1250-.067P-.2L-TS-2B
20	1.390	35.3	1.2500-.067P-.2L-TS-2B
22	1.515	38.5	1.3750-.067P-.2L-TS-2B
24	1.710	43.4	1.5000-.067P-.2L-TS-2B

667-441 Plug Cover



Shell Size	ØC Max		E Thread
	In.	mm.	
7	.606	15.4	.4375-.067P-.2L-TS-2A
78	.676	17.2	.5000-.067P-.2L-TS-2A
9	.771	19.6	.5625-.067P-.2L-TS-2A
10	.832	21.1	.6250-.067P-.2L-TS-2A
11	.890	22.6	.6875-.067P-.2L-TS-2A
12	.950	24.1	.7500-.067P-.2L-TS-2A
14	1.110	28.2	.8750-.067P-.2L-TS-2A
16	1.170	29.7	1.0000-.067P-.2L-TS-2A
18	1.350	34.3	1.1250-.067P-.2L-TS-2A
20	1.470	37.3	1.2500-.067P-.2L-TS-2A
22	1.600	40.6	1.3750-.067P-.2L-TS-2A
24	1.710	43.4	1.5000-.067P-.2L-TS-2A

667-443 Receptacle Cover With Anti-Decoupling Device



Shell Size	ØC Max		E Thread
	In.	mm.	
7	.606	15.4	.4375-.067P-.2L-TS-2B
8	.676	17.2	.5000-.067P-.2L-TS-2B
9	.771	19.6	.5625-.067P-.2L-TS-2B
10	.832	21.1	.6250-.067P-.2L-TS-2B
11	.890	22.6	.6875-.067P-.2L-TS-2B
12	.950	24.1	.7500-.067P-.2L-TS-2B
14	1.110	28.2	.8750-.067P-.2L-TS-2B
16	1.170	29.7	1.0000-.067P-.2L-TS-2B
18	1.350	34.3	1.1250-.067P-.2L-TS-2B
20	1.470	37.3	1.2500-.067P-.2L-TS-2B
22	1.600	40.6	1.3750-.067P-.2L-TS-2B
24	1.710	43.4	1.5000-.067P-.2L-TS-2B

Solid Attachment Ring Dimensions

Ring Code	Inside Diameter		Max. Outside Diameter	
	In.	mm.	In.	mm.
00	—	—	—	—
04	.126	3.20	.310	7.87
06	.145	3.68	.310	7.87
08	.188	4.78	.310	7.87
10	.197	5.00	.310	7.87
11	.326	8.28	.445	11.3
12	.423	10.74	.535	13.59
14	.481	12.22	.593	15.06
16	.560	14.22	.672	17.07
18	.600	15.24	.712	18.08
20	.635	16.13	.770	19.56
22	.695	17.65	.830	21.08
24	.715	18.16	.830	21.08
26	.766	19.46	.895	22.73
28	.845	21.46	1.026	26.06
30	.885	22.48	1.026	26.06
32	.950	24.13	1.172	29.77
34	1.015	25.78	1.205	30.61
36	1.070	27.18	1.205	30.61
38	1.135	28.83	1.260	32.00
40	1.210	30.73	1.322	33.58
42	1.275	32.39	1.385	35.18
44	1.380	35.05	1.485	37.72
46	1.470	37.34	1.672	42.47
48	1.625	41.28	1.797	45.64
50	.432	10.97	.570	14.48
52	.492	12.50	.630	16.00
54	.648	16.46	.790	20.07
56	.757	19.23	.890	22.61
58	.898	22.81	1.040	26.42
60	1.023	25.98	1.160	29.46
64	1.137	28.88	1.270	32.26
68	1.357	34.47	1.480	37.59

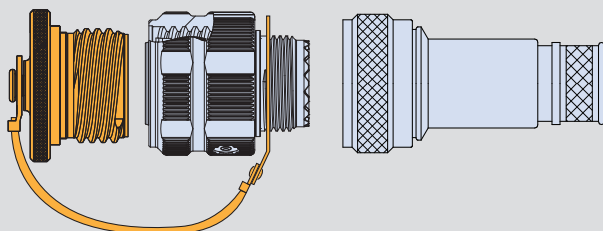
Series 806 Mil-Aero Connectors

Protective Covers 667-440, 667-441 and 667-443



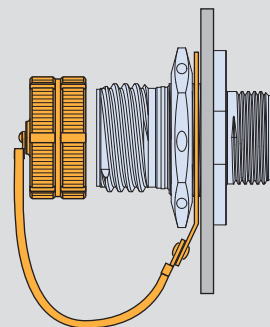
Attachment Ring Application Guide

Attaching a Cover to a Cable-Mounted Connector with Solid Ring



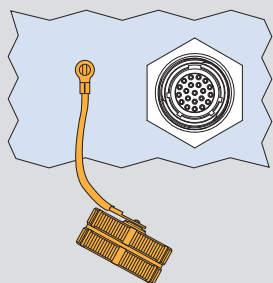
Shell Size	Accessory Thread Size	Max. Thd. Dia.		Recommended Ring Code
		In.	mm.	
7	M8x1.0-6g-0.100R	.315	8	11
8	M10x1.0-6g-0.100R	.393	10	12
9	M12x1.0-6g-0.100R	.471	12	14
10	M14x1.0-6g-0.100R	.550	14	16
11	M15x1.0-6g-0.100R	.589	15	18
12	M17x1.0-6g-0.100R	.668	17	22
14	M19x1.0-6g-0.100R	.747	19	26
16	M22x1.0-6g-0.100R	.865	22	30
18	M25x1.0-6g-0.100R	.983	25	34
20	M28x1.0-6g-0.100R	1.101	28	38
22	M31x1.0-6g-0.100R	1.219	31	42
24	M34x1.0-6g-0.100R	1.338	34	44

Attaching a Receptacle Cover to a Jam-nut Receptacle with Solid Ring



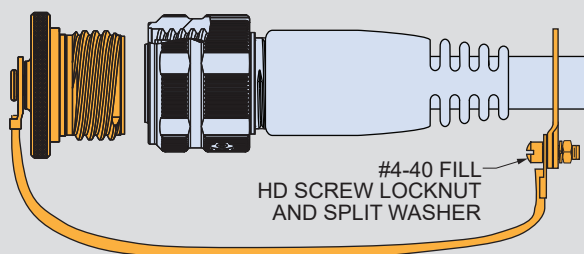
Shell Size	Jam-nut Thread	Max. Thd. Dia.		Recommended Ring Code
		In.	mm.	
7	M13x1.0-6g-0.100R	.512	13	16
8	M15x1.0-6g-0.100R	.589	15	18
9	M16x1.0-6g-0.100R	.629	16	20
10	M18x1.0-6g-0.100R	.707	18	24
11	M19x1.0-6g-0.100R	.747	19	26
12	M21x1.0-6g-0.100R	.827	21	28
14	M24x1.0-6g-0.100R	.944	24	32
16	M27x1.0-6g-0.100R	1.062	27	36
18	M30x1.0-6g-0.100R	1.180	30	40
20	M34x1.0-6g-0.100R	1.338	34	44
22	M37x1.0-6g-0.100R	1.456	37	46
24	M41x1.0-6g-0.100R	1.613	41	48

Attaching a Cover to a Panel with Ring Terminal



Screw Size	Ring Code	Ring I.D.	
		In. ±.005	mm. ±0.13
#4, M3	04	.126	3.20
#6	06	.145	3.68
#8, M4	08	.188	4.78
#10	10	.197	5.00

Attaching a Cover with Split Ring to a Cordset



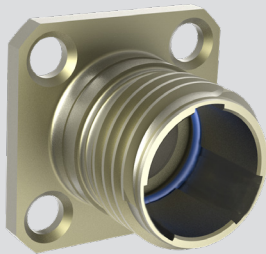
Split Ring Code	Ring I.D.		Split Ring Code	Ring I.D.	
	In.	mm.		In.	mm.
50	.432	10.97	58	.898	22.81
52	.492	12.50	60	1.023	25.98
54	.648	16.46	64	1.137	28.88
56	.757	19.23	68	1.357	34.47

ENVIRONMENTAL, MICRO MINIATURE CIRCULAR
Series 806
Mil-Aero Connectors
Dummy Stowage Receptacle 650-088



DUMMY STOWAGE RECEPTACLES

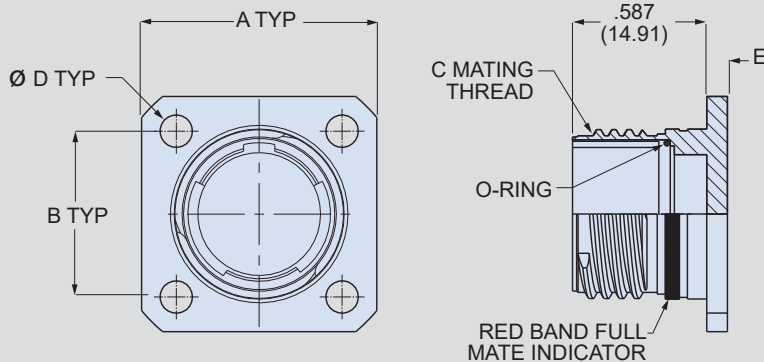
Dummy stowage receptacles secure plug ends of cables during maintenance and storage. Mates with Series 806 plug connectors. Universal keying. O-ring provides environmental seal. Aluminum or stainless steel.



Construction

- Shell: aluminum alloy or stainless steel. See How to Order table for finish options
- O-ring: fluorosilicone

How To Order			
SAMPLE PART NUMBER		650-088	ME 12
Product	650-088 = Stowage receptacle for Series 806 plugs		
Finish	Material	Finish	
		Code	
	Aluminum	Electroless Nickel	ME
		Nickel-PTFE	MT
		Olive Drab Cadmium	NF
		Black Zinc-Nickel	ZR
Stainless Steel	Passivate	Z1	
	Nickel	ZL	
Shell Size	7 8 9 10 11 12 14 16 18 20 22 24		



650-088 Dummy Receptacle Dimensions									
Shell Size	A Max		B		C Thread	ØD		E Max	
	In.	mm.	In.	mm.		In.	mm.	In.	mm.
7	.750	19	.469	11.9	.4375-.067P-.2L-TS-2A	.128	3.25	.100	2.54
8	.822	20.88	.531	13.49	.5000-.067P-.2L-TS-2A	.128	3.25	.100	2.54
9	.885	22.48	.594	15.09	.5625-.067P-.2L-TS-2A	.128	3.25	.100	2.54
10	.913	23.19	.625	15.88	.6250-.067P-.2L-TS-2A	.128	3.25	.100	2.54
11	.944	23.98	.670	17.02	.6875-.067P-.2L-TS-2A	.128	3.25	.100	2.54
12	1.040	26.42	.765	19.43	.7500-.067P-.2L-TS-2A	.128	3.25	.100	2.54
14	1.133	28.78	.859	21.82	.8750-.067P-.2L-TS-2A	.128	3.25	.100	2.54
16	1.227	31.17	.938	23.83	1.0000-.067P-.2L-TS-2A	.128	3.25	.100	2.54
18	1.320	33.53	1.016	25.81	1.1250-.067P-.2L-TS-2A	.128	3.25	.100	2.54
20	1.444	36.68	1.109	28.17	1.2500-.067P-.2L-TS-2A	.154	3.91	.125	3.18
22	1.570	39.88	1.203	30.56	1.3750-.067P-.2L-TS-2A	.154	3.91	.125	3.18
24	1.696	43.08	1.312	33.32	1.5000-.067P-.2L-TS-2A	.154	3.91	.125	3.18

Series 806 Mil-Aero Connectors

Series 806 Backshell, Adapter and Strain Relief Selection Guide

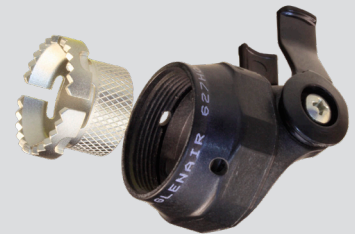
STRAIN RELIEF CLAMPS



620V081
Composite Strain Relief Clamp
Straight, 45° and 90°
[Page 167](#)



620V080
Strain Relief Clamp
Aluminum or SST, self-locking
[Page 180](#)



627V234
Low-Profile Swing-Arm® Flex with Drop-in EMI Adapter
[Page 166](#)

EMI RFI BANDING ADAPTERS



440V191
Band/Boot Adapters
Aluminum or stainless steel
[Page 181](#)



440V202
Composite Band/Boot Adapters
These composite self-locking adapters are lightweight and corrosion resistant
[Page 169](#)



317V111
Piggyback Boot Adapter
These composite, self-locking backshells have a drop-in banding adapter and are supplied with pre-attached shrink boot
[Page 173](#)

EMI BACKSHELLS



380V143
EMI Backshell
These self-locking backshells are available in aluminum or stainless steel
[Page 174](#)



387V243
Composite EMI
Ground rings for shield termination
[Page 168](#)



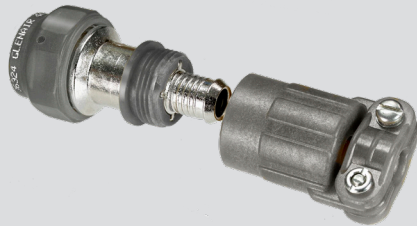
390V091
EMI Environmental
Aluminum or SST. Environmental
[Page 176](#)

Series 806 Mil-Aero Connectors



Series 806 Backshell, Adapter and Strain Relief Selection Guide

"BAND-IN-A-CAN" BANDING ADAPTERS



4470V1061

Composite Band-in-a-Can

Use with Band-Master ATS® shield termination bands. Saddle clamps provide cable strain relief. Non-environmental.

[Page 171](#)



443V039

Aluminum or SST Band-in-a-Can

Use with Band-Master ATS® shield termination bands. Environmentally protected with O-rings.

[Page 178](#)

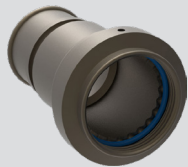
SIZE #8 CONTACT, EXTENDED LENGTH BACKSHELLS



320V030

**Environmental
Extended Adapter**

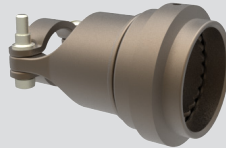
[Page 183](#)



440V233

**Environmental
Banding Backshell**

[Page 184](#)



620VS090

**Strain Relief Cable
Clamp Backshell**

[Page 186](#)



440VS232

**EMI/RFI Cable
Clamp Backshell
with Banding
Platform**

[Page 187](#)



443V042

**EMI/RFI Cable
Clamp Backshell
and Band-in-a-Can
Banding Platform**

[Page 188](#)

COMPOSITE QWIK-TY



457V048

**Composite Qwik-Ty with Drop-In
EMI Adapter**

Drop-in adapter terminates to cable braid shield.

[Page 165](#)

SHORTING CAP



340VS035

Shorting Backshell

[Page 190](#)

SHRINK BOOTS



809-060

Thin Lip Shrink Boots

[Page 191](#)

Series 806 Mil-Aero Connectors



457V*048 Composite EMI/RFI Qwik-Ty® Strain Relief



Low profile. Light weight. Band-Master ATS® shield termination. Self-locking.

Next-generation Qwik-Ty® features high-strength composite construction plus EMI shielding. Available in straight, 45° or 90° versions. Terminate cable shield to plated brass shield termination adapter using Band-Master ATS® strap and hand tool. Attach wire bundle to arm with MS3367-type nylon tie strap (not supplied). Optional rubber pad provides wire cushioning. Slots in shield adapter accept individual shields.

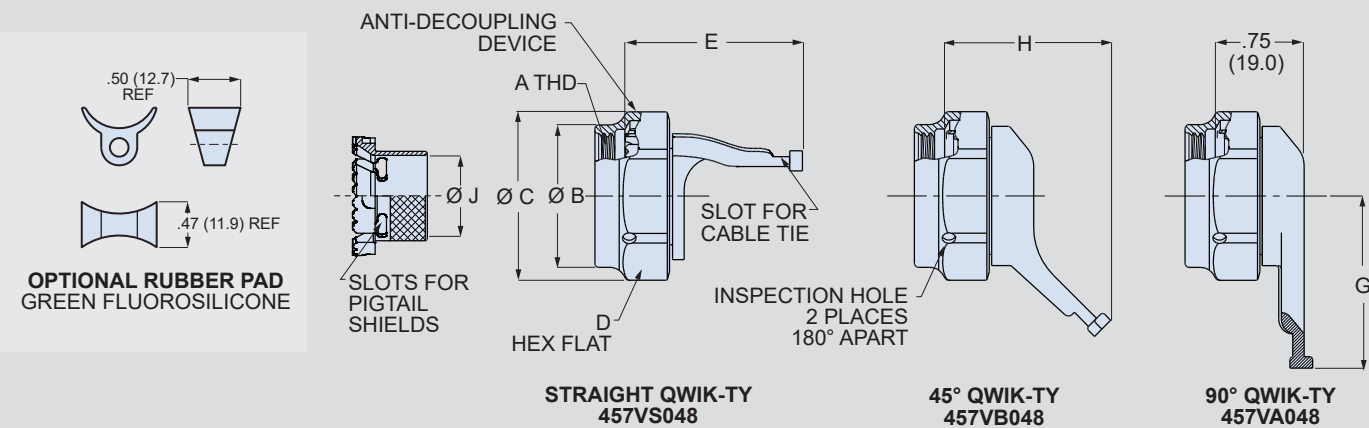
Specifications

- Operating temperature: -65° to +200°C (Finish code BN is +175°C)
- Salt spray (corrosion): 2000 hours

Construction

- Drop-in EMI adapter: brass, see ordering info for finish options
- Coupling nut, Qwik-Ty body: high grade engineering thermoplastic, no plating, black
- Anti-decoupling device: high grade engineering thermoplastic
- Shield termination strap: 300 series stainless steel, passivated (not supplied)
- Pad: green fluorosilicone

How To Order			
SAMPLE PART NUMBER	457VS048	BM	16
Product	457VS048 = Straight 457VB048 = 45° 457VA048 = 90°		
Finish	BM = Electroless nickel BMT = Nickel/PTFE BN = Olive drab cadmium BZR = Black zinc-nickel		
Shell Size	07 08 09 10 11 12 14 16 18 20 22 24		
Optional Rubber Pad	Omit for no rubber pad. P = Supplied with rubber pad (687-038)		



Band Strap

Band strap is purchased separately.



Micro Band Strap Hand Tool

601-101

Micro Band Ordering Information

Length		Part Number	Max Diameter	
in.	mm.		in.	mm.
5.0	127	601-025	.50	12.7
8.0	203	601-061	.88	22.4
14.0	356	601-065	1.88	47.8

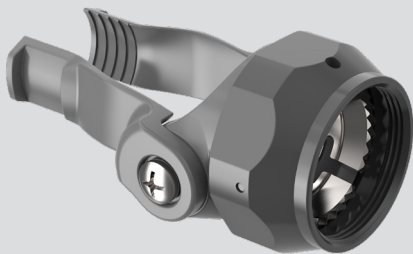
Dimensions

Shell Size	A ISO Metric Thread	øB Max.	øC Max.	D Hex	E Max.	G Max.	H Max.	J
09	M12 x 1.0-6H	.65 (16.51)	.86 (21.84)	.75 (19.05)	1.28 (32.51)	1.22 (30.99)	1.14 (28.96)	.178 (4.52)
10	M14 x 1.0-6H	.77 (19.56)	.98 (24.89)	.88 (22.35)	1.28 (32.51)	1.29 (32.77)	1.14 (28.96)	.295 (7.49)
11	M15 x 1.0-6H	.77 (19.56)	.98 (24.89)	.88 (22.35)	1.28 (32.51)	1.29 (32.77)	1.14 (28.96)	.305 (7.75)
12	M17 x 1.0-6H	.89 (22.61)	1.16 (29.46)	1.00 (25.40)	1.44 (36.58)	1.62 (41.15)	1.14 (28.96)	.394 (10.01)
14	M19 x 1.0-6H	1.03 (26.16)	1.28 (32.51)	1.13 (28.70)	1.51 (38.35)	1.66 (42.16)	1.64 (41.66)	.472 (11.99)
16	M22 x 1.0-6H	1.03 (26.16)	1.28 (32.51)	1.13 (28.70)	1.51 (38.35)	1.66 (42.16)	1.64 (41.66)	.565 (14.35)
18	M25 x 1.0-6H	1.15 (29.21)	1.41 (35.81)	1.25 (31.75)	1.51 (38.35)	1.72 (43.69)	1.64 (41.66)	.658 (16.71)
20	M28 x 1.0-6H	1.28 (32.51)	1.52 (38.61)	1.38 (35.05)	1.57 (39.88)	1.72 (43.69)	1.74 (44.20)	.777 (19.74)
22	M31 x 1.0-6H	1.41 (35.81)	1.64 (41.66)	1.50 (38.10)	1.71 (43.43)	1.79 (45.47)	1.74 (44.20)	.873 (22.17)
24	M34 x 1.0-6H	1.53 (38.86)	1.77 (44.96)	1.63 (41.40)	1.83 (46.48)	1.85 (46.99)	1.74 (44.20)	.997 (25.32)

Series 806 Mil-Aero Connectors

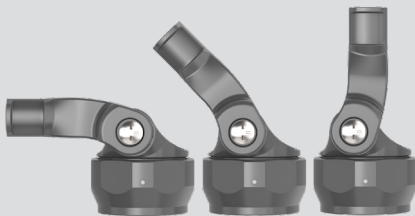


627V234 Composite Swing-Arm® Flex Strain Relief with EMI Adapter



Drop-In EMI Adapter

Terminate cable braid shield to adapter with Band-Master ATS® strap. Slots in adapter are used for individual shield pigtails.



Straight, 45° or 90°

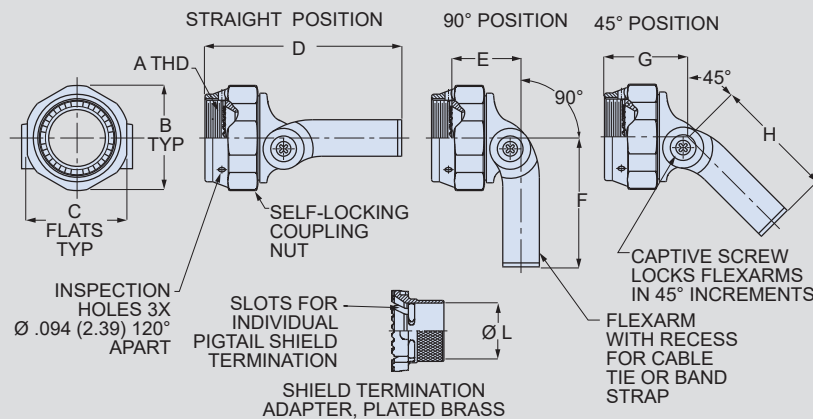
Loosen screws and re-position flex arms for optimum wire routing.

Construction

- Body, Coupling Nut, Flex Arms: high grade engineering thermoplastic, black
- Hardware: stainless steel, passivated
- Anti-Rotation Device: high grade engineering thermoplastic

Lightweight. Low Profile. Composite. Self-Locking. EMI. Flexible strain relief adjusts to various wire bundle sizes. Attach cable ties or band to flex arms for strain relief. Terminate cable shields to plated brass EMI adapter with Band-Master ATS® banding strap. Straight, 45° or 90° cable exit. Composite thermoplastic body, coupling nut and flex arms. Compatible with Glenair Series 806 micro miniature circular connectors.

How To Order			
Shell Size	Shield Termination Adapter Finish		
	Electroless Nickel Code BM	Nickel-PTFE Code BMT	Olive Drab Cadmium Code BN
9	627V234BM09	627V234BMT09	627V234BN09
10	627V234BM10	627V234BMT10	627V234BN10
11	627V234BM11	627V234BMT11	627V234BN11
12	627V234BM12	627V234BMT12	627V234BN12
14	627V234BM14	627V234BMT14	627V234BN14
16	627V234BM16	627V234BMT16	627V234BN16
18	627V234BM18	627V234BMT18	627V234BN18
20	627V234BM20	627V234BMT20	627V234BN20
22	627V234BM22	627V234BMT22	627V234BN22
24	627V234BM24	627V234BMT24	627V234BN24



Shell Size	A ISO Metric Thd	øB Max.	C Max.	D Max.	E Max.	F Max.	G Max.	H Max.	ø L
9	M12 x 1.0-6H	.812 (20.62)	.750 (19.05)	1.77 (44.96)	.73 (18.54)	1.09 (27.69)	.73 (18.54)	1.08 (27.43)	.178 (4.52)
10	M14 x 1.0-6H	.938 (23.83)	.875 (22.23)	1.77 (44.96)	.73 (18.54)	1.12 (28.45)	.70 (17.78)	1.11 (28.19)	.295 (7.49)
11	M15 x 1.0-6H	.938 (23.83)	.875 (22.23)	1.77 (44.96)	.73 (18.54)	1.12 (28.45)	.70 (17.78)	1.11 (28.19)	.305 (7.75)
12	M17 x 1.0-6H	1.125 (28.58)	1.000 (25.40)	2.05 (52.07)	.84 (21.34)	1.41 (35.81)	.81 (20.57)	1.34 (34.04)	.394 (10.01)
14	M19 x 1.0-6H	1.125 (28.58)	1.000 (25.40)	2.05 (52.07)	.84 (21.34)	1.41 (35.81)	.81 (20.57)	1.34 (34.04)	.472 (11.99)
16	M22 x 1.0-6H	1.250 (31.75)	1.125 (28.58)	2.05 (52.07)	.84 (21.34)	1.47 (37.34)	.75 (19.05)	1.42 (36.07)	.565 (14.35)
18	M25 x 1.0-6H	1.375 (34.92)	1.250 (31.75)	2.26 (57.40)	.94 (23.88)	1.65 (41.91)	.88 (22.35)	1.54 (39.12)	.658 (16.71)
20	M28 x 1.0-6H	1.500 (38.10)	1.375 (34.92)	2.26 (57.40)	.94 (23.88)	1.71 (43.43)	.81 (20.57)	1.63 (41.40)	.777 (19.74)
22	M31 x 1.0-6H	1.625 (41.28)	1.500 (38.10)	2.72 (69.09)	1.04 (26.42)	2.09 (53.09)	.94 (23.88)	1.97 (50.04)	.873 (22.17)
24	M34x 1.0-6H	1.750 (44.45)	1.625 (41.28)	2.72 (69.09)	1.04 (26.42)	2.13 (54.10)	.90 (22.86)	2.02 (51.31)	.997 (25.32)

Series 806 Mil-Aero Connectors



620V*081 Composite Cable Clamp Strain Relief Backshell



Lightweight. Straight, 45° or 90°. Composite. Self-Locking. Spin coupling backshell with full radius cable clamp provides protection for open wire bundles or jacketed cable. Compatible with Glenair Series 806 micro miniature circular connectors.

Features

- Corrosion resistant high strength engineering thermoplastic
- Self-locking spin coupling
- Non-environmental

Specifications

- Operating temperature:
codes XB, XM, XMT: -65°C to +200°C
codes XZN, XW: -65°C to +175°C
- Salt spray (corrosion): 2000 hours
- Vibration: SAE AS85049 Category 4C
- Shock: SAE AS85049 Category 4C

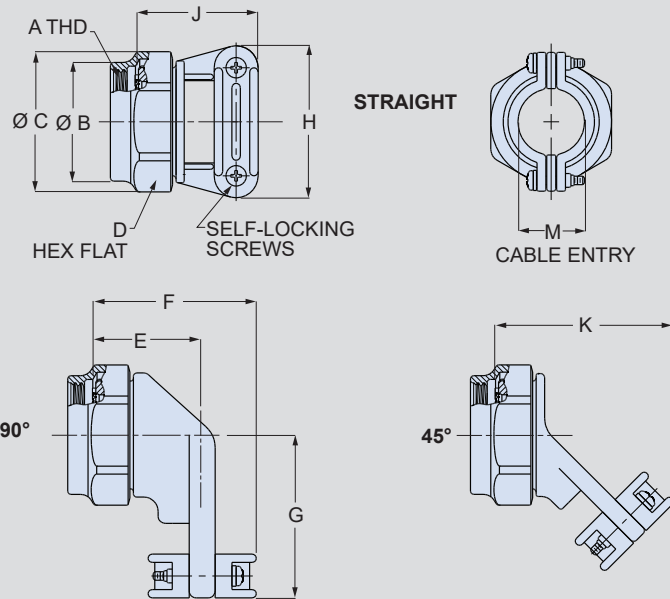
Construction

- Adapter: high grade engineering thermoplastic. See How to Order for finish options
- Coupling nut, saddle clamps: high grade engineering thermoplastic, no plating, black
- Hardware: stainless steel, passivated
- Anti-Rotation Device: high grade engineering thermoplastic

Notes

1. Cable entry measured with saddle clamps closed and bottomed on clamp ears.

How To Order			
SAMPLE PART NUMBER	620VS081		
Product	620VS081 = Cable Clamp, Straight 620VB081 = Cable Clamp, 45° 620VA081 = Cable Clamp, 90°	XM	12
Adapter Finish	XB = Unplated (black) XM = Electroless nickel XMT = Nickel/PTFE XW = Olive Drab Cadmium XZN = Zinc nickel (black)	Coupling nut and saddle clamps are unplated black thermoplastic	
Shell Size	08 09 10 11 12 14 16 18 20 22 24		



Shell Size	A ISO Metric Thd	ØB Max.	ØC Max.	D Hex	E Ref.	F	G	H	J	K Max.	M
08	M10 x 1.0-6H	.65 (16.51)	.86 (21.84)	.75 (19.05)	.63 (16.00)	.86 (21.84)	.88 (22.35)	.88 (22.35)	.80 (20.32)	1.32 (33.53)	.218 (5.54)
09	M12 x 1.0-6H	.65 (16.51)	.86 (21.84)	.75 (19.05)	.63 (16.00)	.86 (21.84)	.88 (22.35)	.88 (22.35)	.80 (20.32)	1.32 (33.53)	.218 (5.54)
10	M14 x 1.0-6H	.77 (19.56)	.98 (24.89)	.88 (22.35)	.65 (16.51)	.91 (23.11)	.94 (23.88)	.94 (23.88)	.88 (22.35)	1.35 (34.29)	.264 (6.71)
11	M15 x 1.0-6H	.77 (19.56)	.98 (24.89)	.88 (22.35)	.65 (16.51)	.91 (23.11)	.94 (23.88)	.94 (23.88)	.88 (22.35)	1.35 (34.29)	.264 (6.71)
12	M17 x 1.0-6H	.89 (22.61)	1.16 (29.46)	1.00 (25.40)	.71 (18.03)	1.02 (25.91)	1.03 (26.16)	1.17 (29.72)	1.00 (25.40)	1.43 (36.32)	.345 (8.76)
14	M19 x 1.0-6H	1.03 (26.16)	1.28 (32.51)	1.13 (28.70)	.76 (19.30)	1.13 (28.70)	1.13 (28.70)	1.28 (32.51)	1.00 (25.40)	1.48 (37.59)	.461 (11.71)
16	M22 x 1.0-6H	1.03 (26.16)	1.28 (32.51)	1.13 (28.70)	.76 (19.30)	1.13 (28.70)	1.13 (28.70)	1.28 (32.51)	1.00 (25.40)	1.48 (37.59)	.461 (11.71)
18	M25 x 1.0-6H	1.15 (29.21)	1.41 (35.81)	1.25 (31.75)	.80 (20.32)	1.26 (32.00)	1.31 (33.27)	1.41 (35.81)	1.13 (28.70)	1.58 (40.13)	.544 (13.82)
20	M28 x 1.0-6H	1.28 (32.51)	1.52 (38.61)	1.38 (35.05)	.83 (21.08)	1.31 (33.27)	1.38 (35.05)	1.50 (38.10)	1.19 (30.23)	1.70 (43.18)	.614 (15.60)
22	M31 x 1.0-6H	1.41 (35.81)	1.64 (41.66)	1.50 (38.10)	.90 (22.86)	1.37 (34.80)	1.50 (38.10)	1.56 (39.62)	1.25 (31.75)	1.74 (44.20)	.697 (17.70)
24	M34 x 1.0-6H	1.53 (38.86)	1.77 (44.96)	1.63 (41.40)	.94 (23.88)	1.45 (36.83)	1.63 (41.40)	1.69 (42.93)	1.38 (35.05)	1.79 (45.47)	.780 (19.81)

Series 806 Mil-Aero Connectors



387V*243 Composite EMI/RFI Cable Clamp Backshell with Boot Groove



Composite. Straight or 90°. Shielded. Self-Locking. Corrosion-resistant EMI backshell features high-strength thermoplastic construction. Aluminum alloy shield termination rings. Self-locking coupling ring and cable clamp screws. Nickel, cadmium, or nickel-PTFE finish.

Features

- Corrosion resistant high strength engineering thermoplastic
- Self-locking spin coupling
- Non-environmental
- Three shield ferrules

Specifications

- Operating temperature: codes XM, XMT: -65°C to +200°C codes XW: -65°C to +175°C
- Salt spray (corrosion): 2000 hours
- Vibration: SAE AS85049 Category 4C
- Shock: SAE AS85049 Category 4C

Construction

- Adapter: high grade engineering thermoplastic. See How to Order for finish options
- Coupling nut, saddle clamps, clamp body: high grade engineering thermoplastic, no plating, black
- Ferrules: aluminum alloy. See How to Order for finish options.
- Hardware: stainless steel, passivated
- Anti-decoupling device: high grade engineering thermoplastic

Notes

1. Cable entry is measured with the saddle clamps closed and bottomed on clamp ears.

How To Order					
SAMPLE PART NUMBER	387VS243	XM	12	06	-4
Product	387VS243 = Straight Adapter 387VW243 = 90° Adapter				
Material/ Finish	XM = Electroless nickel XMT = Nickel/PTFE XW = Olive Drab Cadmium				
Shell Size	08 09 10 11 12 14 16 18 20 22 24				
Cable Entry Code	See Table 1 for cable entry sizes				
Adapter Length	<i>Omit for 90° version. Applicable to 387VS243 only.</i> Length in ¼ inch increments: 4 = 1 inch (min.) 5 = 1.25 inches 6 = 1.5 inches 8 = 2 inches				

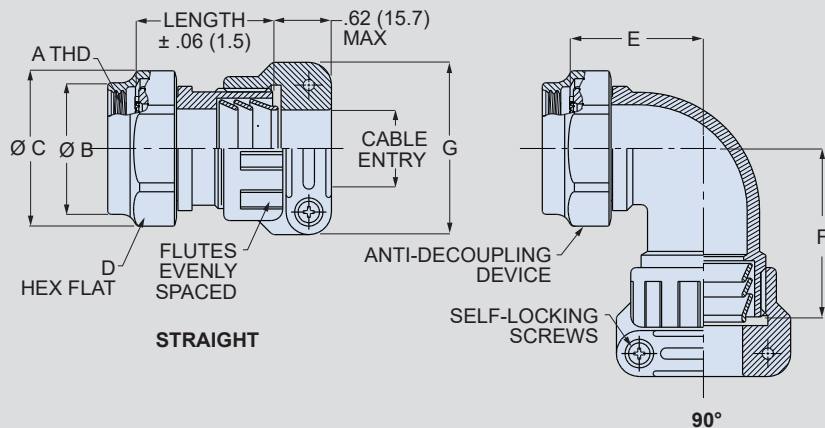


Table 2 Dimensions												
Shell Size	A ISO Metric Thread	ØB Max.		ØC Max.		D Hex		E ± .078 (2.0)		F ± .078 (2.0)		Max. Cable Entry
		In.	mm.	In.	mm.	In.	mm.	In.	mm.	In.	mm.	
08	M10 x 1.0-6H	.65	16.5	.86	21.8	.75	19.1	.722	18.3	1.750	44.4	04
09	M12 x 1.0-6H	.65	16.5	.86	21.8	.75	19.1	.722	18.3	1.750	44.4	04
10	M14 x 1.0-6H	.77	19.5	.98	24.9	.88	22.2	.784	19.9	1.820	46.2	06
11	M15 x 1.0-6H	.77	19.5	.98	24.9	.88	22.2	.784	19.9	1.820	46.2	06
12	M17 x 1.0-6H	.89	22.6	1.16	29.5	1.00	25.4	.816	20.7	1.860	47.2	08
14	M19 x 1.0-6H	1.03	26.2	1.28	32.5	1.13	28.6	.878	22.3	1.880	47.8	10
16	M22 x 1.0-6H	1.03	26.2	1.28	32.5	1.13	28.6	.878	22.3	1.880	47.8	10
18	M25 x 1.0-6H	1.15	29.2	1.41	35.8	1.25	31.8	.942	23.9	1.942	49.3	12
20	M28 x 1.0-6H	1.28	32.5	1.52	38.6	1.38	34.9	1.003	25.5	2.000	5.8	14
22	M31 x 1.0-6H	1.41	35.8	1.64	41.7	1.50	38.1	1.037	26.3	2.062	52.4	16
24	M34 x 1.0-6H	1.53	38.9	1.77	45.0	1.63	41.3	1.116	28.3	2.194	55.7	17

Table 1 Cable Entry Code				
Cable Entry Code	Cable Entry ± .039 (1.0)		G Max.	
	In.	mm.	In.	mm.
04	.312	7.9	1.125	28.6
06	.437	11.1	1.250	31.8
08	.500	12.7	1.312	33.3
10	.625	15.9	1.438	36.5
12	.750	19.1	1.625	41.3
14	.874	22.2	1.688	42.9
16	.937	23.8	1.750	44.5
17	1.094	27.8	1.906	48.5

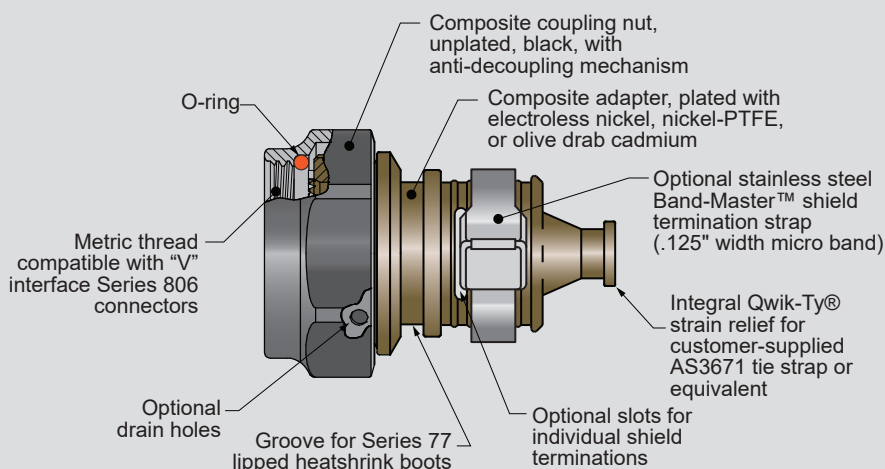
Series 806 Mil-Aero Connectors



440V*202 Composite EMI/RFI Banding Adapter with Boot Groove



Lightweight. Corrosion-resistant composite. Band-Master ATS® shield termination. Self-locking. Integral Qwik-Ty. Spin coupling EMI/RFI adapter with anti-decoupling ratchet prevents loosening under vibration. Fits Series 806 connectors. Terminate cable shield to backshell with **Band-Master ATS®** stainless steel band. Compatible with Glenair Series 77 lipped heatshrink boots. Straight, 45° or 90° cable exit.



Features

- EMI/RFI
- Self-locking spin coupling
- Integral Qwik-Ty® strain relief

Specifications

- Operating temperature: codes XM, XMT: -65°C to +200°C codes XW: -65°C to +175°C
- Salt spray (corrosion): 2000 hours
- Vibration: SAE AS85049 Category 3B
- Shock: SAE AS85049 Category 3B

Construction

- Adapter: high grade engineering thermoplastic with electroless nickel (code XM), nickel-PTFE (XMT) or olive drab cadmium (XW)
- Coupling nut: high grade engineering thermoplastic, no plating, black
- Anti-decoupling device: high grade engineering thermoplastic
- Shield termination strap: 300 series stainless steel, passivated

Notes

- If drain holes are supplied, the O-ring is deleted.

Shrink Boot Options

- Consult factory for shrink boot options.

How To Order																																							
SAMPLE PART NUMBER	440VS202 XM 14 09																																						
Product	440VS202 = Straight Adapter 440VT202 = 45° Adapter 440VA202 = 90° Adapter																																						
Finish	XM = Electroless nickel XMT = Nickel/PTFE XW = Olive Drab Cadmium																																						
Shell Size	08 09 10 11 12 14 16 18 20 22 24																																						
Entry Code	<table border="1"> <thead> <tr> <th rowspan="2">Shell Size</th> <th rowspan="2">Entry Code</th> <th colspan="2">Diameter</th> </tr> <tr> <th>In.</th> <th>mm.</th> </tr> </thead> <tbody> <tr> <td>08, 09, 10, 11</td> <td>04</td> <td>.25</td> <td>6.4</td> </tr> <tr> <td>10, 11, 18</td> <td>05</td> <td>.31</td> <td>7.9</td> </tr> <tr> <td>12, 20</td> <td>07</td> <td>.44</td> <td>11.2</td> </tr> <tr> <td>14, 16, 22</td> <td>09</td> <td>.56</td> <td>14.2</td> </tr> <tr> <td>18, 24</td> <td>11</td> <td>.68</td> <td>17.3</td> </tr> <tr> <td>20</td> <td>13</td> <td>.81</td> <td>20.6</td> </tr> <tr> <td>22</td> <td>15</td> <td>.94</td> <td>23.9</td> </tr> <tr> <td>24</td> <td>16</td> <td>1.00</td> <td>25.4</td> </tr> </tbody> </table>	Shell Size	Entry Code	Diameter		In.	mm.	08, 09, 10, 11	04	.25	6.4	10, 11, 18	05	.31	7.9	12, 20	07	.44	11.2	14, 16, 22	09	.56	14.2	18, 24	11	.68	17.3	20	13	.81	20.6	22	15	.94	23.9	24	16	1.00	25.4
Shell Size	Entry Code			Diameter																																			
		In.	mm.																																				
08, 09, 10, 11	04	.25	6.4																																				
10, 11, 18	05	.31	7.9																																				
12, 20	07	.44	11.2																																				
14, 16, 22	09	.56	14.2																																				
18, 24	11	.68	17.3																																				
20	13	.81	20.6																																				
22	15	.94	23.9																																				
24	16	1.00	25.4																																				
Optional Drain Holes	<i>Omit for no drain holes.</i> D = Adapter supplied with coupling nut drain holes																																						
Optional Band Strap	<i>Omit for no band strap.</i> B = Adapter supplied with shield termination band																																						
Optional Shield Termination Slots	<i>Omit for unslotted version.</i> S = Adapter supplied with shield termination slots																																						

Series 806

Mil-Aero Connectors

440V*202 Composite EMI/RFI Banding Adapter

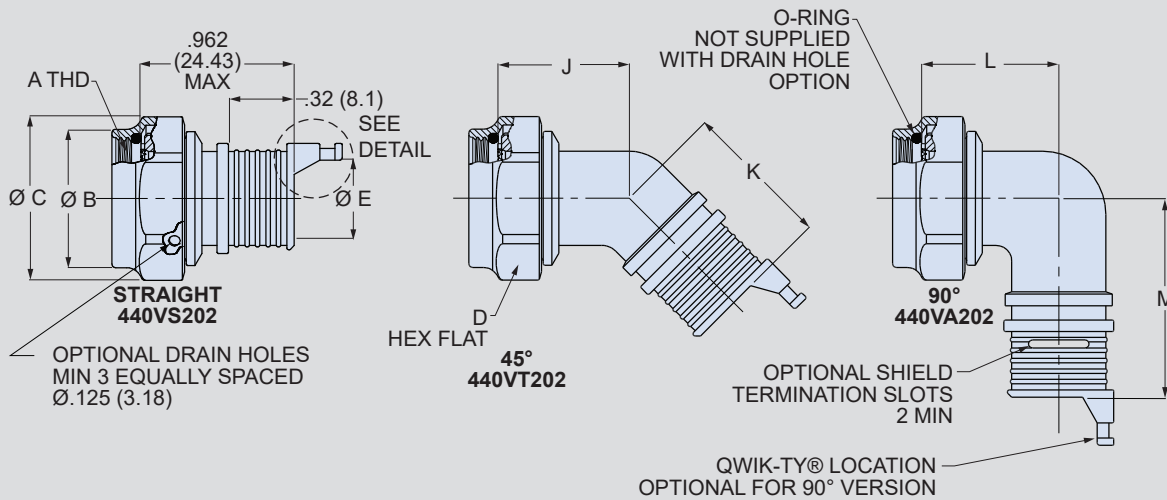
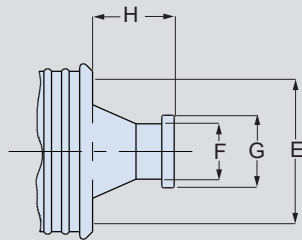


Table 1 Dimensions

Shell Size	Available Entry Codes	A ISO Metric Thread	øB Max.		øC Max.		D Hex		L ± .09 (2.3)		M ± .09 (2.3)		N Max.	
			In.	mm.	In.	mm.	In.	mm.	In.	mm.	In.	mm.	In.	mm.
08	04	M10 x 1.0-6H	.65	16.5	.86	21.8	.75	19.1	.69	17.5	.88	22.4	1.36	34.5
09	04	M12 x 1.0-6H	.65	16.5	.86	21.8	.75	19.1	.69	17.5	.88	22.4	1.36	34.5
10	04, 05	M14 x 1.0-6H	.77	19.5	.98	24.9	.88	22.2	.75	19.1	1.00	25.4	1.42	36.1
11	04, 05	M15 x 1.0-6H	.77	19.5	.98	24.9	.88	22.2	.75	19.1	1.00	25.4	1.42	36.1
12	07	M17 x 1.0-6H	.89	22.6	1.16	29.5	1.00	25.4	.81	20.6	1.13	28.7	1.48	37.6
14	09	M19 x 1.0-6H	1.03	26.2	1.28	32.5	1.13	28.6	.88	22.4	1.13	28.7	1.48	37.6
16	09	M22 x 1.0-6H	1.03	26.2	1.28	32.5	1.13	28.6	.88	22.4	1.31	33.3	1.55	39.4
18	05, 11	M25 x 1.0-6H	1.15	29.2	1.41	35.8	1.25	31.8	.94	23.9	1.38	35.1	1.61	40.9
20	07, 13	M28 x 1.0-6H	1.28	32.5	1.52	38.6	1.38	34.9	.97	24.6	1.44	36.6	1.64	41.7
22	09, 15	M31 x 1.0-6H	1.41	35.8	1.64	41.7	1.50	38.1	1.06	26.9	1.63	41.4	1.73	43.9
24	11, 15	M34 x 1.0-6H	1.53	38.9	1.77	45.0	1.63	41.3	1.13	28.7	1.75	44.5	1.80	45.7

Table 2 Entry Codes and Qwik-Ty Dimensions

Entry Code	øE ± .03 (0.8)		F		G		H		J ± .06 (1.5)		K ± .09 (2.3)	
	In.	mm.	In.	mm.	In.	mm.	In.	mm.	In.	mm.	In.	mm.
04	.25	6.4	.187	4.74	.312	7.92	.512	13.0	.72	18.3	.87	22.1
05	.31	7.9	.187	4.74	.312	7.92	.512	13.0	.75	19.1	.93	23.6
07	.44	11.2	.187	4.74	.312	7.92	.512	13.0	.75	19.1	1.00	25.4
09	.56	14.2	.219	5.56	.375	9.53	.630	16.0	.76	19.3	1.03	26.2
11	.68	17.3	.219	5.56	.375	9.53	.630	16.0	.78	19.8	1.05	26.7
13	.81	20.6	.219	5.56	.375	9.53	.630	16.0	.79	20.1	1.06	26.9
15	.94	23.9	.219	5.56	.375	9.53	.630	16.0	.82	20.8	1.09	27.7
16	1.00	25.4	.219	5.56	.375	9.53	.630	16.0	.86	21.8	1.13	28.7

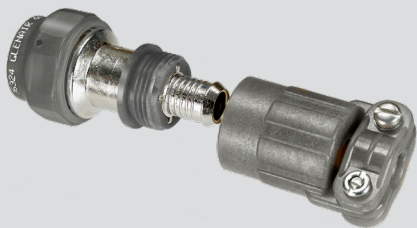


QWIK-TY® DETAIL AND ENTRY DIAMETER

Series 806 Mil-Aero Connectors



4470V*1061 Composite EMI/RFI Band-in-a-Can Backshell



Corrosion-resistant. Self-locking. Shielded. Saddle clamp. Band termination.

EMI/RFI "band-in-a-can" backshell fits Series 806 connectors. Terminate cable shield to backshell with optional **Band-Master ATS®** stainless steel band. Coupling nut and cable clamp are black composite material, adapter is plated with conductive nickel, nickel-PTFE or olive drab cadmium. Non-environmental. Straight, 45° or 90°.

Specifications

- Operating temperature: codes XM, XMT: -65°C to +200°C
code XW: -65°C to +175°C
- Salt spray (corrosion): 2000 hours

Construction

- Coupling nut, cable clamp, thread ring: high grade engineering thermoplastic, no plating, black
- Adapter body: high grade engineering thermoplastic, see ordering information for finish options.
- Hardware: 300 series stainless steel
- Anti-decoupling device: thermoplastic
- Band strap: stainless steel, passivated

How To Order						
SAMPLE PART NUMBER	4470VS1061	XM	10	12	B	S
Product	4470VS1061 = Straight Backshell 4470VT1061 = 45° Backshell 4470VW1061 = 90° Backshell					
Finish	XM = Electroless nickel XMT = Nickel/PTFE XW = Olive Drab Cadmium					
Shell Size	08 09 10 11 12 14 16 18 20 22 24					
Entry Code	See Table 1 for cable entry codes					
Band Option	Omit for none. B = Band (601-040) K = Pre-coiled band (601-041)					
Slot Option	Omit for none. S = slotted band platform for pigtail braid termination					

Band-Master Bands and Tool

Band strap can be ordered with backshell or purchased separately.



Standard Band Ordering Information

Length		Part Number		Max Dia.	
in.	mm.	Flat	Pre-Coiled	in.	mm.
9.0	229	601-005	601-006	1.0	25
14.0	356	601-040	601-041	1.8	48
18.0	457	601-049	601-050	2.5	64

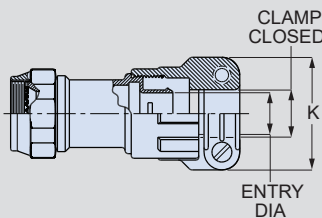
Band Strap Hand Tool

601-100



Table 1 Entry Code

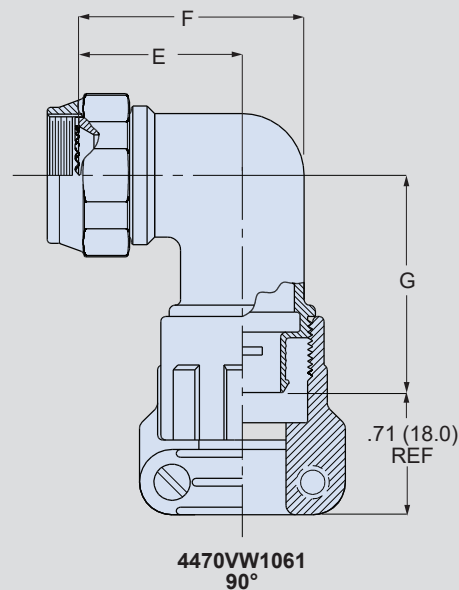
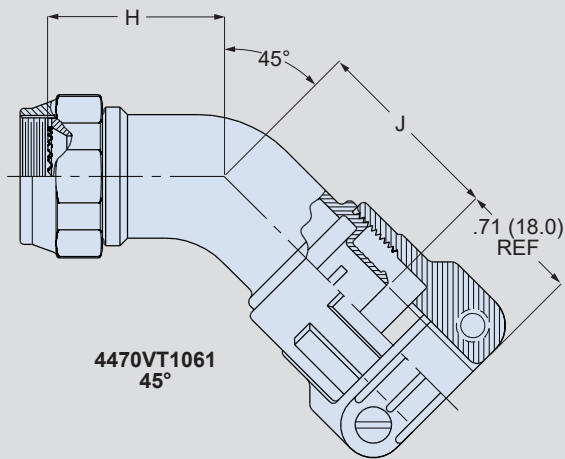
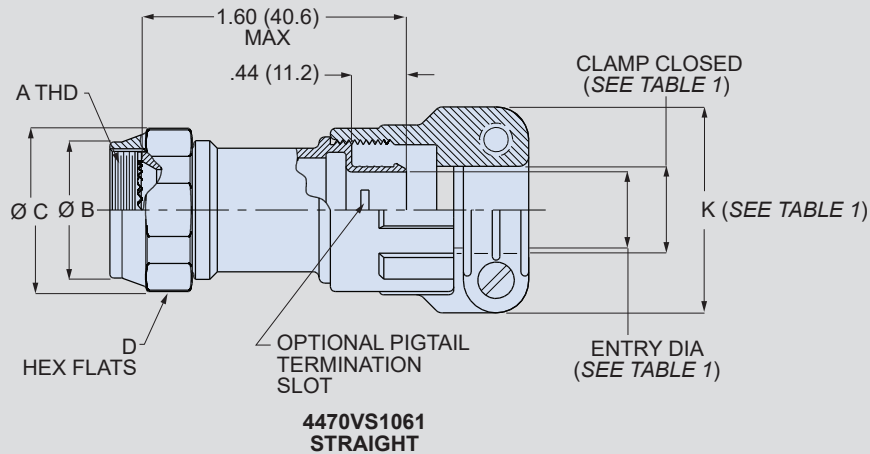
Entry Code	Shell Size	Entry Dia.	Clamp Closed	K
10	08 thru 24	.22 (5.59)	±.03 (0.8)	±.06 (1.5)
12	10 thru 24	.28 (7.11)	.26 (6.60)	.94 (23.88)
14	12 thru 24	.34 (8.64)	.46 (11.68)	1.17 (29.72)
16	14 thru 24	.46 (11.68)	.55 (13.97)	1.41 (35.81)
18	18 thru 24	.55 (13.97)	.62 (15.75)	1.50 (38.10)
20	18 thru 24	.62 (15.75)	.70 (17.78)	1.56 (39.62)
22	22, 24	.70 (17.78)	.78 (19.81)	1.69 (42.93)
24	24	.78 (19.81)	.85 (21.59)	1.81 (45.97)



Series 806

Mil-Aero Connectors

4470V*1061 Composite EMI/RFI Band-in-a-Can Backshell



Shell Size	Max Entry Code	A ISO Metric Thread	ØB Max.	ØC Max.	D Hex	E ± .06 (1.5)	F ± .09 (2.3)	G Max.	H ± .06 (1.5)	J ± .09 (2.3)
08	10	M10 x 1.0-6H	.65 (16.51)	.86 (21.84)	.75 (19.05)	.69 (17.53)	.88 (22.35)	1.31 (33.27)	.72 (18.29)	1.15 (29.21)
09	10	M12 x 1.0-6H	.65 (16.51)	.86 (21.84)	.75 (19.05)	.69 (17.53)	.88 (22.35)	1.31 (33.27)	.72 (18.29)	1.15 (29.21)
10	12	M14 x 1.0-6H	.77 (19.56)	.98 (24.89)	.88 (22.35)	.75 (19.05)	1.00 (25.40)	1.42 (36.07)	.75 (19.05)	1.27 (32.26)
11	12	M15 x 1.0-6H	.77 (19.56)	.98 (24.89)	.88 (22.35)	.75 (19.05)	1.00 (25.40)	1.42 (36.07)	.75 (19.05)	1.27 (32.26)
12	14	M17 x 1.0-6H	.89 (22.61)	1.16 (29.46)	1.00 (25.40)	.81 (20.57)	1.13 (28.70)	1.57 (39.88)	.75 (19.05)	1.33 (33.78)
14	16	M19 x 1.0-6H	1.03 (26.16)	1.28 (32.51)	1.13 (28.70)	.88 (22.35)	1.31 (33.27)	1.57 (39.88)	.76 (19.30)	1.37 (34.80)
16	16	M22 x 1.0-6H	1.03 (26.16)	1.28 (32.51)	1.13 (28.70)	.88 (22.35)	1.31 (33.27)	1.57 (39.88)	.76 (19.30)	1.37 (34.80)
18	20	M25 x 1.0-6H	1.15 (29.21)	1.41 (35.81)	1.25 (31.75)	.94 (23.88)	1.38 (35.05)	1.64 (41.66)	.78 (19.81)	1.39 (35.31)
20	20	M28 x 1.0-6H	1.28 (32.51)	1.52 (38.61)	1.38 (35.05)	.97 (24.64)	1.44 (36.58)	1.73 (43.94)	.79 (20.07)	1.41 (35.81)
22	22	M31 x 1.0-6H	1.41 (35.81)	1.64 (41.66)	1.50 (38.10)	1.06 (26.92)	1.63 (41.40)	1.82 (46.23)	.82 (20.83)	1.43 (36.32)
24	24	M34 x 1.0-6H	1.53 (38.86)	1.77 (44.96)	1.63 (41.40)	1.13 (28.70)	1.75 (44.45)	1.82 (46.23)	.86 (21.84)	1.47 (37.34)

Series 806 Mil-Aero Connectors



317V*111 Composite EMI/RFI Environmental Boot Adapters



Labor-saving. Environmental. Shielded. Self-locking. "Piggyback" boot adapters reduce installation time compared to conventional heatshrink boots. Supplied as shown with the boot already installed on adapter. Terminate cable shield to plated brass shield termination adapter using Band-Master ATS® strap and hand tool. Boot is pre-coated with "W1" hot melt adhesive. These adapters fit Glenair Series 806 micro miniature circular connectors.

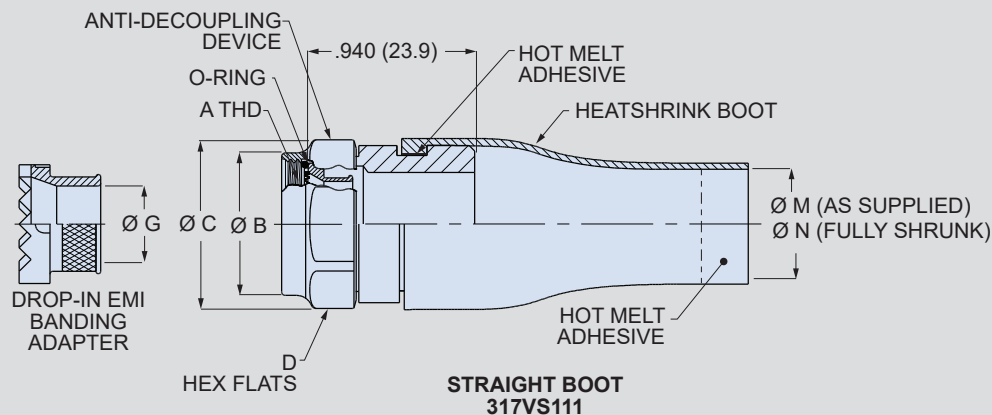
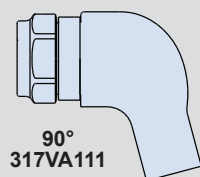
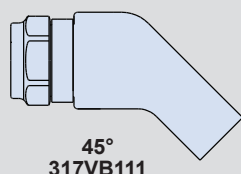
Specifications

- Operating temperature: -55° to +125°C
- Salt spray (corrosion): 2000 hours

Construction

- Drop-in EMI adapter: brass, see ordering info for finish options
- Coupling nut, adapter: high grade engineering thermoplastic, no plating, black
- Anti-decoupling device: high grade engineering thermoplastic
- Shield termination strap: 300 series stainless steel, passivated
- O-ring: silicone
- Adhesive: W1 hot melt polyamide, 125°C max. operating temperature

How To Order					
SAMPLE PART NUMBER	317VS111	BM	12	-1	K
Product	317VS111 = Straight Adapter 317VB111 = 45° Adapter 317VA111 = 90° Adapter				
Finish	BM = Electroless nickel BMT = Nickel/PTFE BN = Olive drab cadmium BZR = Black zinc-nickel				
Shell Size	09 10 11 12 14 16 18 20 22 24				
Boot Material	1 = High performance elastomer 2 = Low smoke zero halogen polyolefin				
Optional Band Strap	Omit for no band strap. K = Adapter supplied with pre-coiled shield termination band				



Band Strap

Band strap can be ordered with backshell or purchased separately.



Band Strap Hand Tool

601-101

Micro Band Ordering Information

Length	Part Number	Max Diameter
5.0 (127.00)	601-025	.50 (12.70)
8.0 (203.20)	601-061	.88 (22.35)
14.0 (355.60)	601-065	1.88 (47.75)

Shell Size	A ISO Metric Thread	ØB Max.	ØC Max.	D Hex	ØG	M Min.	N Max.
09	M12 x 1.0-6H	.65 (16.51)	.86 (21.84)	.75 (19.05)	.178 (4.52)	.250 (6.35)	.197 (5.00)
10	M14 x 1.0-6H	.77 (19.56)	.98 (24.89)	.88 (22.35)	.295 (7.49)	.355 (9.02)	.197 (5.00)
11	M15 x 1.0-6H	.77 (19.56)	.98 (24.89)	.88 (22.35)	.305 (7.75)	.355 (9.02)	.197 (5.00)
12	M17 x 1.0-6H	.89 (22.61)	1.16 (29.46)	1.00 (25.40)	.394 (10.01)	.491 (12.47)	.236 (5.99)
14	M19 x 1.0-6H	1.03 (26.16)	1.28 (32.51)	1.13 (28.70)	.472 (11.99)	.565 (14.35)	.236 (5.99)
16	M22 x 1.0-6H	1.03 (26.16)	1.28 (32.51)	1.13 (28.70)	.565 (14.35)	.565 (14.35)	.236 (5.99)
18	M25 x 1.0-6H	1.15 (29.21)	1.41 (35.81)	1.25 (31.75)	.658 (16.71)	.690 (17.53)	.276 (7.01)
20	M28 x 1.0-6H	1.28 (32.51)	1.52 (38.61)	1.38 (35.05)	.777 (19.74)	.769 (19.53)	.335 (8.51)
22	M31 x 1.0-6H	1.41 (35.81)	1.64 (41.66)	1.50 (38.10)	.873 (22.17)	.894 (22.71)	.394 (10.01)
24	M34 x 1.0-6H	1.53 (38.86)	1.77 (44.96)	1.63 (41.40)	.997 (25.32)	1.019 (25.88)	.394 (10.01)

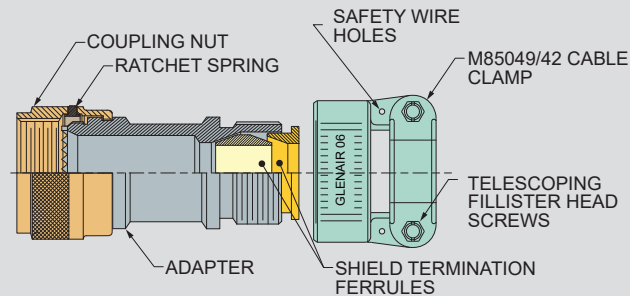
Series 806 Mil-Aero Connectors



380V*143 Metal EMI/RFI Full Radius Profile Backshell



EMI shielding. Self-locking. Straight, 45° or 90°. Non-environmental. 380-143 backshells fit Glenair Series 806 connectors. These spin coupling backshells have ground rings for cable braid shield termination. Heavy duty-saddle clamp with stainless steel telescoping screws. Meets requirements of AS85049 Category 3C medium duty. Aluminum or stainless steel.



Features

- EMI/RFI protected
- Self-locking spin coupling
- Telescoping clamp screws
- Non-environmental

Specifications

- Operating temperature: codes ME, MT and Z1: -65°C to +200°C codes ZR, NF: -65°C to +175°C
- Shell conductivity: aluminum versions: 2.5 milliohms max. Stainless steel: 5 milliohms max.
- Salt spray (corrosion) Code ME: 96 hours Code NF, ZR, MT, Z1: 1000 hours
- Vibration: SAE AS85049 Category 3C
- Shock: SAE AS85049 Category 3C

Construction

- Coupling nut, adapter, ferrules, clamps: see material/finish codes
- Anti-decoupling device: corrosion-resistant material
- Hardware: stainless steel, passivated

How To Order						
SAMPLE PART NUMBER	380VS143	ME	12	06	H	4
Product	380VS143 = EMI Backshell, Straight 380VM143 = EMI Backshell, 45° 380VN143 = EMI Backshell, 90°					
Material/ Finish	ME = Aluminum, Electroless Nickel MT = Aluminum, Ni/PTFE ZR = Aluminum, Black Zinc-Nickel NF = Aluminum, Olive Drab Cadmium Z1 = Stainless Steel, Passivated					
Shell Size	07 08 09 10 11 12 14 16 18 20 22 24					
Cable Clamp Size	See Table 1 for cable clamp sizes					
Strain Relief Clamp	H = Saddle bar clamp, heavy duty, with telescoping screws					
Backshell Length	Omit for 45° and 90° versions. Applicable to 380VS143 only. Length in ½ inch increments: 3 = 1½ inches (min. for Style 1 shown at right) 4 = 2 inches (min. for Style 2 shown on following page) 5 = 2½ inches 6 = 3 inches					

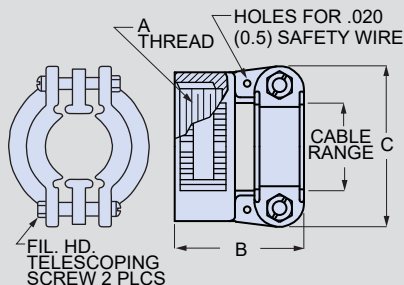
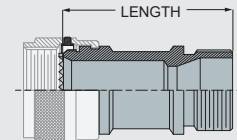


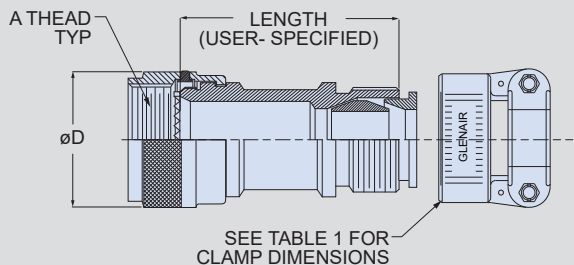
Table 1 Cable Clamp Size									
Clamp Size	Cable Range				A Thread Class 2B	B Max.		C Max.	
	Min. In.	Max. mm.	Min. In.	Max. mm.		In.	mm.	In.	mm.
04	.125	3.2	.312	7.9	.625-24UNEF	1.301	33.04	.957	24.3
06	.250	6.4	.437	11.1	.750-20UNEF	1.301	33.04	1.145	29.1
08	.312	7.9	.562	14.3	.875-20UNEF	1.301	33.04	1.332	33.8
10	.350	8.9	.625	15.9	1.000-20UNEF	1.301	33.04	1.332	33.8
12	.500	12.7	.750	19.1	1.1875-18UNEF	1.332	33.83	1.551	39.4
16	.625	15.9	.937	23.8	1.4375-18UNEF	1.426	36.22	1.770	45.0
20	.875	22.2	1.250	31.8	1.750-18UNS	1.613	40.97	2.113	53.7
24	1.000	25.4	1.375	34.9	2.000-18UNS	1.645	41.78	2.363	60.0

Series 806 Mil-Aero Connectors

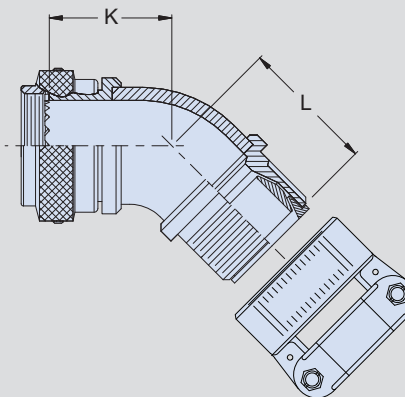


380V*143 Metal EMI/RFI Full Radius Profile Backshell

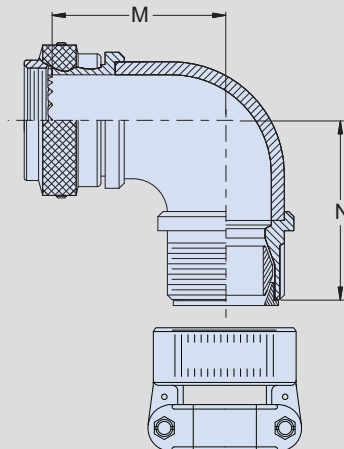
380VS143
Straight Exit



380VM143
45° Exit



380VN143
90° Exit

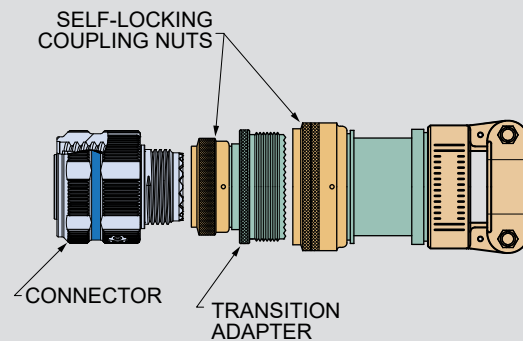


Shell Size	A ISO Metric Thread	øD Max.	K Max. ⁽¹⁾	L Max.	M Max. ⁽¹⁾	N Max.	Max. Clamp Size ⁽¹⁾	Max. Cable Dia. ⁽¹⁾
07	M8 x 1.0-6H	.58 (0.02)	.790 (0.03)	1.070 (0.04)	.940 (0.04)	1.230 (0.05)	03 (0.12)	.250 (0.01)
08	M10 x 1.0-6H	.64 (0.03)	.790 (0.03)	1.070 (0.04)	.940 (0.04)	1.230 (0.05)	03 (0.12)	.250 (0.01)
09	M12 x 1.0-6H	.74 (0.03)	.790 (0.03)	1.070 (0.04)	.940 (0.04)	1.230 (0.05)	04 (0.16)	.312 (0.01)
10	M14 x 1.0-6H	.80 (0.03)	.790 (0.03)	1.130 (0.04)	.970 (0.04)	1.320 (0.05)	04 (0.16)	.312 (0.01)
11	M15 x 1.0-6H	.84 (0.03)	.790 (0.03)	1.130 (0.04)	.970 (0.04)	1.320 (0.05)	06 (0.24)	.437 (0.02)
12	M17 x 1.0-6H	.92 (0.04)	.830 (0.03)	1.210 (0.05)	1.040 (0.04)	1.420 (0.06)	06 (0.24)	.437 (0.02)
14	M19 x 1.0-6H	1.02 (0.04)	.830 (0.03)	1.210 (0.05)	1.040 (0.04)	1.420 (0.06)	08 (0.31)	.562 (0.02)
16	M22 x 1.0-6H	1.16 (0.05)	.840 (0.03)	1.280 (0.05)	1.080 (0.04)	1.520 (0.06)	10 (0.39)	.625 (0.02)
18	M25 x 1.0-6H	1.26 (0.05)	.890 (0.04)	1.360 (0.05)	1.140 (0.04)	1.620 (0.06)	12 (0.47)	.750 (0.03)
20	M28 x 1.0-6H	1.40 (0.06)	.920 (0.04)	1.430 (0.06)	1.210 (0.05)	1.710 (0.07)	16 (0.63)	.937 (0.04)
22	M31 x 1.0-6H	1.52 (0.06)	.950 (0.04)	1.490 (0.06)	1.280 (0.05)	1.810 (0.07)	16 (0.63)	.937 (0.04)
24	M34 x 1.0-6H	1.64 (0.06)	.980 (0.04)	1.550 (0.06)	1.330 (0.05)	1.910 (0.08)	16 (0.63)	.937 (0.04)

(1) If the maximum clamp size is exceeded, the backshell will be a "Style 2" with a transition adapter as shown below. The K and M dimensions will be increased by 1.00 inch (25.4 mm.) maximum.

Style 2 Backshells for Large Diameter Cables

If the cable clamp is larger than the maximum clamp size shown in the table above, the backshell will be supplied with a **transition adapter** and a second coupling nut. This type of backshell is called a **Style 2**. The large diameter of the Style 2 backshell allows it to slide over the cable until the connector is wired and ready for backshell installation. On straight exit backshells, the transition adapter does not affect the length. On 45° and 90° versions the transition adapter adds 1.00 inch (25.4mm) maximum to the backshell length.



Style 2 Backshell

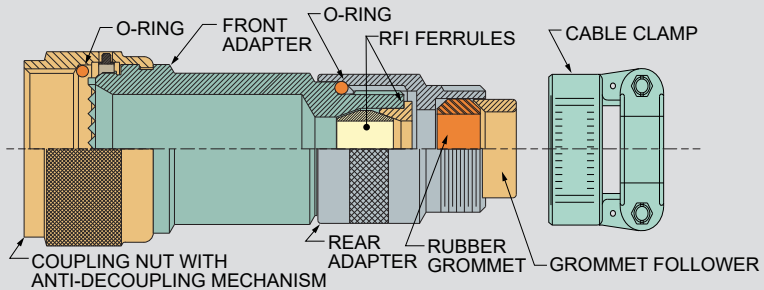
Series 806 Mil-Aero Connectors



390V*091 Metal EMI/RFI Full Radius Environmental Backshell



EMI shielding. Environmental. Self-locking. Straight, 45° or 90°. For use with shielded, jacketed cable. Compatible with Series 806 micro miniature connectors. Terminate cable shield to inner and outer ground rings. Heavy duty cable clamps. Aluminum or stainless steel with silicone O-rings and gland. Stainless steel telescoping clamp screws. Meets environmental, electrical and mechanical requirements of AS85049 Category 1A Heavy Duty.



Features

- EMI/RFI protected
- Self-locking spin coupling
- Telescoping clamp screws
- Environmental

Specifications

- Operating temperature: codes ME, MT and Z1: -65°C to +200°C codes ZR, NF: -65°C to +175°C
- Shell conductivity: aluminum versions: 2.5 milliohms max. Stainless steel: 5 milliohms max.
- Salt spray (corrosion) Code ME: 96 hours Code NF, ZR, MT, Z1: 1000 hours
- Vibration: SAE AS85049 Category 1A
- Shock: SAE AS85049 Category 1A
- Water pressure: SAE AS85049 Cat. 1A

Construction

- Coupling nut, adapters, ferrules, clamps, follower: see material/finish codes
- O-rings, grommet: silicone
- Anti-decoupling device: corrosion-resistant material
- Hardware: stainless steel, passivated

How To Order

SAMPLE PART NUMBER		390VS091	ME	12	06	H	4
Product		390VS091 = Straight Backshell 390VM091 = 45° Backshell 390VN091 = 90° EMI Backshell					
Material/ Finish		ME = Aluminum, Electroless Nickel MT = Aluminum, Ni/PTFE ZR = Aluminum, Black Zinc-Nickel NF = Aluminum, Olive Drab Cadmium Z1 = Stainless Steel, Passivated					
Shell Size		07 08 09 10 11 12 14 16 18 20 22 24					
Cable Clamp Size		See Table 1 for cable clamp sizes					
Strain Relief Clamp		H = Saddle bar clamp, heavy duty, with telescoping screws					
Backshell Length		Omit for 45° and 90° versions. Applicable to 390VS091 only. Length in 1/2 inch increments: 3 = 1 1/2 inches (min. for Style 1) 4 = 2 inches (min. for Style 2) 5 = 2 1/2 inches 6 = 3 inches					

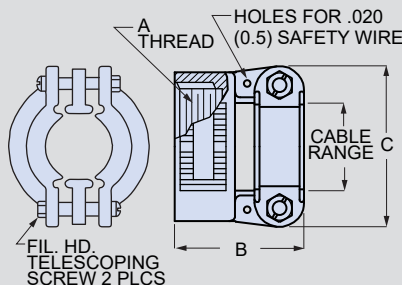
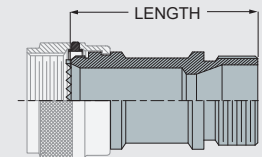


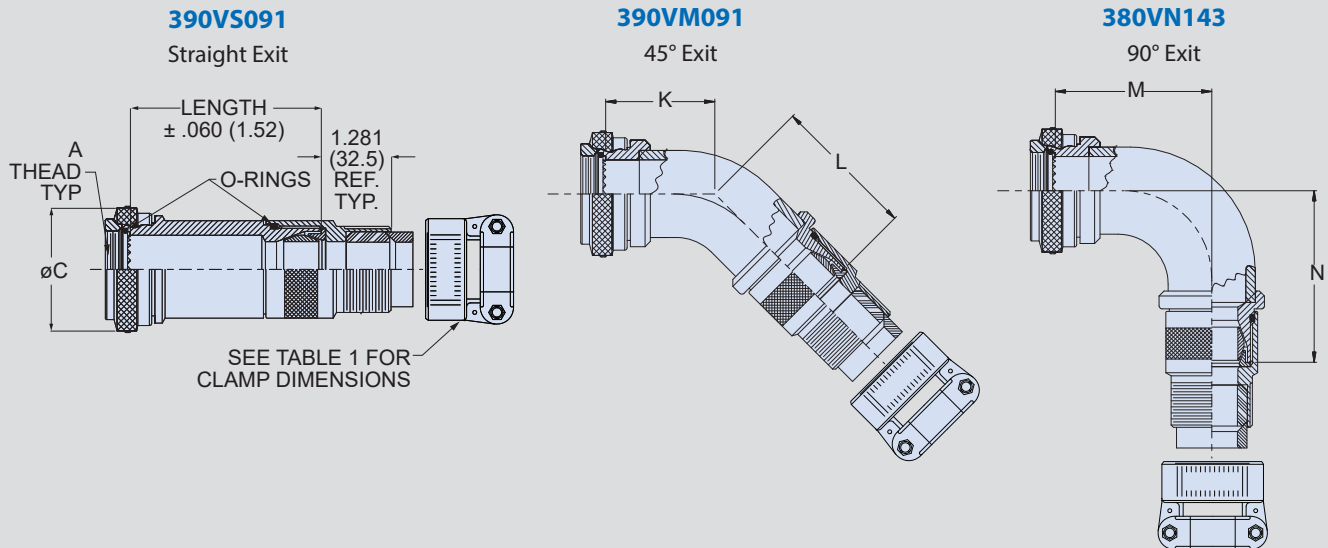
Table 1: Cable Clamp Size

Clamp Size	Cable Range				A Thread Class 2B	B Max.		C Max.	
	Min. In.	Max. mm.	Min. In.	Max. mm.		In.	mm.	In.	mm.
04	.125	3.2	.312	7.9	.625-24UNEF	1.301	33.04	.957	24.3
06	.250	6.4	.437	11.1	.750-20UNEF	1.301	33.04	1.145	29.1
08	.312	7.9	.562	14.3	.875-20UNEF	1.301	33.04	1.332	33.8
10	.350	8.9	.625	15.9	1.000-20UNEF	1.301	33.04	1.332	33.8
12	.500	12.7	.750	19.1	1.1875-18UNEF	1.332	33.83	1.551	39.4
16	.625	15.9	.937	23.8	1.4375-18UNEF	1.426	36.22	1.770	45.0
20	.875	22.2	1.250	31.8	1.750-18UNS	1.613	40.97	2.113	53.7
24	1.000	25.4	1.375	34.9	2.000-18UNS	1.645	41.78	2.363	60.0

Series 806 Mil-Aero Connectors



390V*091 Metal EMI/RFI Full Radius Environmental Backshell

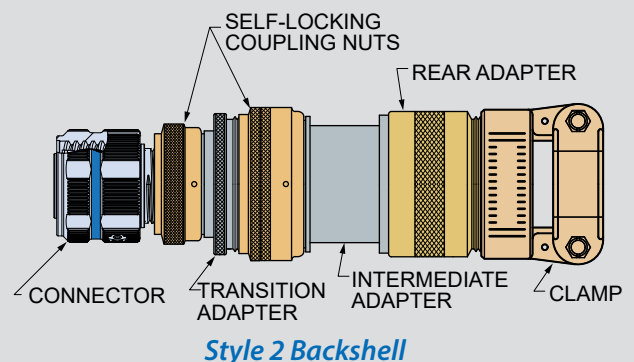


Shell Size	A ISO Metric Thread	øC Max.	K Max. ⁽¹⁾	L Max.	M Max. ⁽¹⁾	N Max.	Clamp Dash Number ⁽¹⁾	Max. Cable Dia. ⁽¹⁾
07	M8 x 1.06H	.640 (16.26)	.790 (20.07)	1.070 (27.18)	.940 (23.88)	1.290 (32.77)	03	.250 (6.35)
08	M10 x 1.06H	.710 (18.03)	.790 (20.07)	1.070 (27.18)	.940 (23.88)	1.290 (32.77)	03	.250 (6.35)
09	M12 x 1.0-6H	.780 (19.81)	.790 (20.07)	1.070 (27.18)	.940 (23.88)	1.290 (32.77)	04	.312 (7.92)
10	M14 x 1.0-6H	.880 (22.35)	.790 (20.07)	1.130 (28.70)	.970 (24.64)	1.380 (35.05)	04	.312 (7.92)
11	M15 x 1.0-6H	.920 (23.37)	.790 (20.07)	1.130 (28.70)	.970 (24.64)	1.380 (35.05)	06	.437 (11.10)
12	M17 x 1.0-6H	1.000 (25.40)	.830 (21.08)	1.210 (30.73)	1.040 (26.42)	1.480 (37.59)	06	.437 (11.10)
14	M19 x 1.0-6H	1.080 (27.43)	.830 (21.08)	1.210 (30.73)	1.040 (26.42)	1.480 (37.59)	08	.562 (14.27)
16	M22 x 1.0-6H	1.200 (30.48)	.840 (21.34)	1.280 (32.51)	1.080 (27.43)	1.580 (40.13)	10	.625 (15.88)
18	M25 x 1.0-6H	1.320 (33.53)	.890 (22.61)	1.360 (34.54)	1.140 (28.96)	1.680 (42.67)	12	.750 (19.05)
20	M28 x 1.0-6H	1.440 (36.58)	.920 (23.37)	1.430 (36.32)	1.210 (30.73)	1.770 (44.96)	16	.937 (23.80)
22	M31 x 1.0-6H	1.560 (39.62)	.950 (24.13)	1.490 (37.85)	1.280 (32.51)	1.870 (47.50)	16	.937 (23.80)
24	M34 x 1.0-6H	1.700 (43.18)	.980 (24.89)	1.550 (39.37)	1.330 (33.78)	1.970 (50.04)	16	.937 (23.80)

(1) If the maximum clamp size is exceeded, the backshell will be a "Style 2" with a transition adapter as shown below. The K and M dimensions will be increased by 1.00 inch (25.4 mm.) maximum.

Style 2 Backshells for Large Diameter Cables

If the cable clamp is larger than the maximum clamp size shown in the table above, the backshell will be supplied with a **transition adapter** and a second coupling nut. This type of backshell is called a **Style 2**. The large diameter of the Style 2 backshell allows it to slide over the cable until the connector is wired and ready for backshell installation. On straight exit backshells, the transition adapter does not affect the length. On 45° and 90° versions the transition adapter adds 1.00 inch (25.4mm) maximum to the backshell length.



Series 806 Mil-Aero Connectors

443V*039 Metal EMI/RFI Band-in-a-Can Backshell Cable Clamp



EMI shielding. Band-Master ATS® shield termination. Self-locking. Environmental. Spin coupling EMI/RFI backshell with anti-decoupling ratchet prevents loosening under vibration. Fits Series 806 connectors. Terminate cable shield to backshell with **Band-Master ATS®** stainless steel band, supplied with backshell. Cable clamp grommet provides environmental seal to cable jacket. Straight, 45° or 90° cable exit. Aluminum or stainless steel.

Features

- EMI/RFI
- Self-locking spin coupling
- Supplied with MicroBand shield termination band
- Environmental

Specifications

- Operating temperature:
codes ME, MT and Z1: -65°C to +200°C
codes ZR, NF, NFP: -65°C to +175°C
- Shell conductivity:
aluminum versions: 2.5 milliohms max.
Stainless steel: 5 milliohms max.
- Salt spray (corrosion)
Code ME, NFP: 96 hours
Code NF, ZR, MT, Z1: 1000 hours
- Vibration: SAE AS85049 Category 3B
- Shock: SAE AS85049 Category 3B

Construction

- Coupling nut, adapter, saddle bars, cable clamp: aluminum alloy or 300 series stainless steel. See material/finish options in How to Order table for options.
- O-rings, grommet: silicone
- Hardware: 300 series stainless steel
- Anti-decoupling device: corrosion-resistant material
- Band strap: stainless steel, passivated

How To Order					
SAMPLE PART NUMBER	443VS039	MT	08	01	-2
Product	443VS039 = Straight Backshell 443VH039 = 45° Backshell 443VJ039 = 90° Backshell				
Material/ Finish	ME = Aluminum, Electroless Nickel MT = Aluminum, Ni/PTFE ZR = Aluminum, Black Zinc-Nickel NF = Aluminum, Olive Drab Cadmium NFP = Aluminum, Olive Drab Cadmium, nickel-plated shield termination area, polysulfide barrier Z1 = Stainless Steel, Passivated				
Shell Size	07 08 09 10 11 12 14 16 18 20 22 24				
Cable Entry Code	See Table 1 for cable entry sizes				
Adapter Length	Omit for 45° and 90° versions. Applicable to 443VS039 only. Length in ½ inch increments. 2 = 1 inch (min. for Style 1) 3 = 1½ inches 4 = 2 inches (min. for Style 2) 5 = 2½ inches 6 = 3 inches				

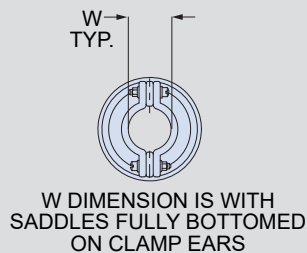
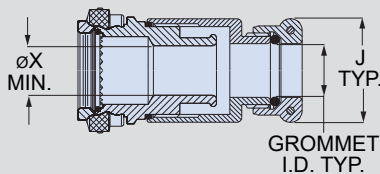
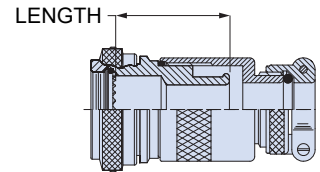


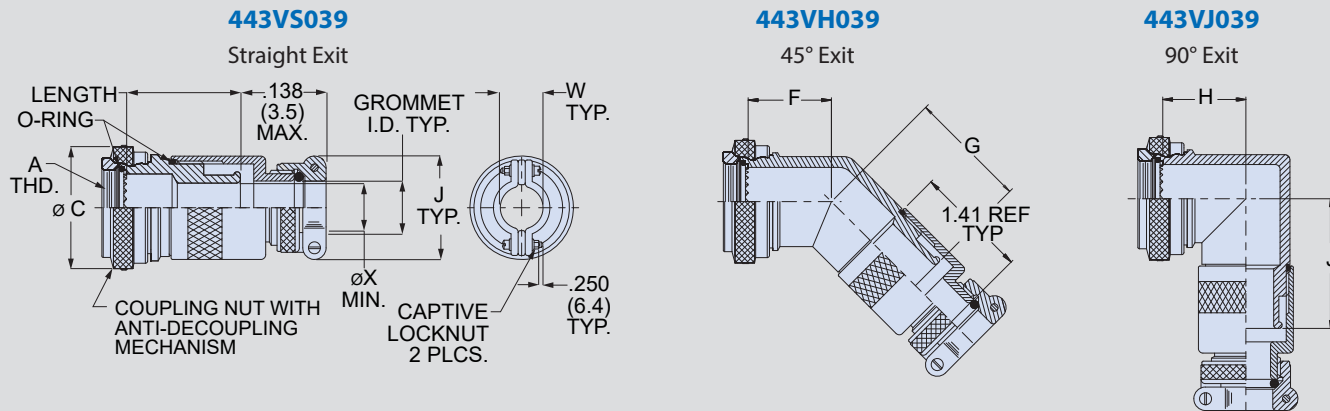
Table 1: Cable Entry

Cable Entry Code	Grommet Diameter		J Max.	W Closed	ø X Min.
	Min.	Max.			
01	.125 (3.18)	.250 (6.35)	1.05 (26.67)	.264 (6.71)	.25 (6.35)
02	.188 (4.78)	.375 (9.52)	1.20 (30.48)	.344 (8.74)	.37 (9.40)
03	.312 (7.92)	.438 (11.13)	1.30 (33.02)	.460 (11.68)	.43 (10.92)
04	.343 (8.71)	.500 (12.70)	1.44 (36.58)	.545 (13.84)	.50 (12.70)
05	.438 (11.13)	.625 (15.88)	1.69 (42.93)	.698 (17.73)	.62 (15.75)
06	.562 (14.27)	.750 (19.05)	1.77 (44.96)	.780 (19.81)	.75 (19.05)
07	.688 (17.48)	.875 (22.23)	2.12 (53.85)	.950 (24.13)	.87 (22.10)
08	.812 (20.62)	1.000 (25.40)	2.50 (63.50)	1.015 (25.78)	1.00 (25.40)
09	.938 (23.83)	1.125 (28.58)	2.62 (66.55)	1.187 (30.15)	1.12 (28.45)
10	1.062 (26.97)	1.250 (31.75)	2.68 (68.07)	1.220 (30.99)	1.25 (31.75)
11	1.125 (28.58)	1.375 (34.92)	3.00 (76.20)	1.500 (38.10)	1.38 (35.05)
12	1.250 (31.75)	1.500 (38.10)	3.50 (88.90)	1.625 (41.28)	1.50 (38.10)

Series 806 Mil-Aero Connectors



443V*039 Metal EMI/RFI Band-in-a-Can Backshell Cable Clamp

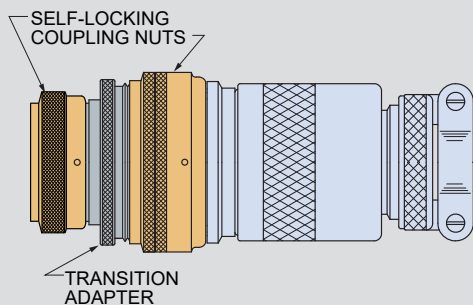


Shell Size	A ISO Metric Thread	ØC Max.	F Max. ⁽¹⁾	G Max.	H Max. ⁽¹⁾	J Max.	Max. Cable Entry Code ⁽¹⁾
07	M8 x 1.0-6H	.640 (16.26)	.580 (14.73)	1.030 (26.16)	.830 (21.08)	1.180 (29.97)	01
08	M10 x 1.0-6H	.692 (17.58)	.630	1.030 (26.16)	.880 (22.35)	1.180 (29.97)	01
09	M12 x 1.0-6H	.786 (19.96)	.640 (16.26)	1.030 (26.16)	.880 (22.35)	1.210 (30.73)	01
10	M14 x 1.0-6H	.883 (22.43)	.670 (17.02)	1.060 (26.92)	.930 (23.62)	1.260 (32.00)	02
11	M15 x 1.0-6H	.911 (23.14)	.680 (17.27)	1.090 (27.69)	.980 (24.89)	1.290 (32.77)	03
12	M17 x 1.0-6H	1.002 (25.45)	.700 (17.78)	1.100 (27.94)	.990 (25.15)	1.320 (33.53)	04
14	M19 x 1.0-6H	1.066 (27.08)	.720 (18.29)	1.100 (27.94)	.990 (25.15)	1.350 (34.29)	04
16	M22 x 1.0-6H	1.196 (30.38)	.760 (19.30)	1.130 (28.70)	1.050 (26.67)	1.410 (35.81)	05
18	M25 x 1.0-6H	1.311 (33.30)	.790 (20.07)	1.170 (29.72)	1.120 (28.45)	1.470 (37.34)	06
20	M28 x 1.0-6H	1.430 (36.32)	.830 (21.08)	1.200 (30.48)	1.180 (29.97)	1.530 (38.86)	07
22	M31 x 1.0-6H	1.548 (39.32)	.860 (21.84)	1.240 (31.50)	1.240 (31.50)	1.590 (40.39)	08
24	M34 x 1.0-6H	1.696 (43.08)	.910 (23.11)	1.290 (32.77)	1.300 (33.02)	1.670 (42.42)	09

(1) If the maximum cable entry code is exceeded, the backshell will be a "Style 2" with a transition adapter as shown below. The F and H dimensions will be increased by 0.9 inch (22.9 mm.) maximum.

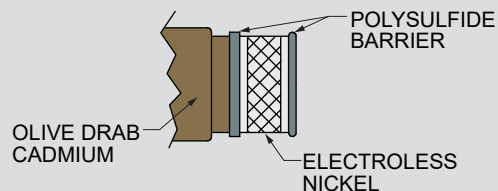
STYLE 2 ADAPTERS FOR LARGE DIAMETER CABLES

If the cable entry diameter exceeds the maximum cable entry code shown in the above table, the adapter will be supplied with a **transition adapter**. On straight exit backshells, the transition adapter does not affect the length. On 45° and 90° versions the transition adapter adds 0.9 inch (22.9 mm) maximum to the backshell length.



APPLICATION NOTE: SELECTIVE PLATED CADMIUM WITH POLYSULFIDE BARRIER

Olive drab (OD) cadmium (Cd) over electroless nickel (EN) is available in two versions. The standard version, designated as Glenair code **NF**, is a uniform Cd/EN finish over the entire part. A second version, designated as Glenair code **NFP**, is selectively plated with electroless nickel in the knurled shield attachment area. A polysulfide barrier separates the electroless nickel area from the cadmium plated area. This selectively plated version prevents galvanic corrosion that could potentially occur if nickel-coated shield braid is attached to a cadmium plated surface.



ENVIRONMENTAL, MICRO MINIATURE CIRCULAR

Series 806

Mil-Aero Connectors

620V*080 Metal Strain Relief Cable Clamp



Strain relief clamp with anti-decoupling ratchet prevents loosening under vibration. Full radius saddle clamps prevent pinching of cables. Fits Series 806 connectors. Straight, 45° or 90° cable exit.

How To Order			
SAMPLE PART NUMBER	620VS080	MT	08
Product	620VS080 = Straight Strain Relief 620VB080 = 45° Strain Relief 620VA080 = 90° Strain Relief		
Material/ Finish	ME = Aluminum, Electroless Nickel MT = Aluminum, Ni/PTFE ZR = Aluminum, Black Zinc-Nickel NF = Aluminum, Olive Drab Cadmium		
Shell Size	07 08 09 10 11 12 14 16 18 20 22 24		

Features

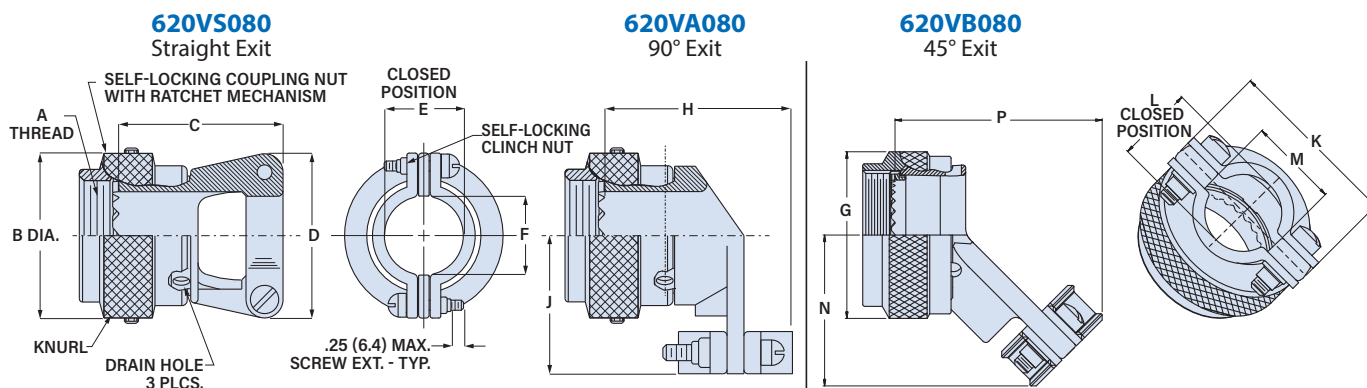
- Straight, 45° and 90°
- Self-locking spin coupling
- Fits Series 806 micro miniature connectors
- Captive threaded inserts

Specifications

- Operating temperature:
codes ME and MT: -65°C to +200°C
codes ZR, NF, NFP: -65°C to +175°C
- Salt spray (corrosion)
Code ME: 96 hours
Code NF, ZR, MT: 1000 hours
- Vibration, shock: SAE AS85049 Category 4C

Construction

- Clamp, body, saddles, coupling nut: aluminum alloy. See material/finish options in How to Order table for options.
- Hardware: 300 series stainless steel
- Anti-decoupling device: corrosion-resistant material



Shell Size	A ISO Metric Thd	øB Max.	C Max.	D Max.	E ±.031 (0.79)	F Min.	H Max.	J Max.	ØG Max.	K Max.	J ±.031	M Min.	N Max.	P Max.
07	M8 x 1.0-6H	.58 (14.73)	.780 (19.81)	.77 (19.56)	.209 (5.31)	.21 (5.33)	1.02 (25.91)	.83 (21.08)	-	-	-	-	-	-
08	M10 x 1.0-6H	.64 (16.26)	.780 (19.81)	.83 (21.08)	.269 (6.83)	.27 (6.86)	1.04 (26.42)	.87 (22.10)	.79 (20.07)	.89 (22.61)	.265 (6.73)	.27 (6.86)	.96 (24.38)	1.43 (36.32)
09	M12 x 1.0-6H	.74 (18.80)	.840 (21.34)	.91 (23.11)	.346 (8.79)	.35 (8.89)	1.06 (26.92)	.91 (23.11)	.79 (20.07)	.89 (22.61)	.265 (6.73)	.27 (6.86)	.96 (24.38)	1.43 (36.32)
10	M14 x 1.0-6H	.80 (20.32)	.900 (22.86)	.97 (24.64)	.410 (10.41)	.42 (10.67)	1.08 (27.43)	.95 (24.13)	.91 (23.11)	1.00 (25.40)	.310 (7.87)	.31 (7.87)	1.05 (26.67)	1.50 (38.10)
11	M15 x 1.0-6H	.84 (21.34)	.960 (24.38)	1.08 (27.43)	.430 (10.92)	.44 (11.18)	1.10 (27.94)	.97 (24.64)	.91 (23.11)	1.00 (25.40)	.310 (7.87)	.31 (7.87)	1.05 (26.67)	1.50 (38.10)
12	M17 x 1.0-6H	.92 (23.37)	1.060 (26.92)	1.14 (28.96)	.488 (12.40)	.49 (12.45)	1.15 (29.21)	1.03 (26.16)	1.02 (25.91)	1.27 (32.26)	.390 (9.91)	.39 (9.91)	1.11 (28.19)	1.55 (39.37)
14	M19 x 1.0-6H	1.02 (25.91)	1.100 (27.94)	1.20 (30.48)	.530 (13.46)	.54 (13.72)	1.18 (29.97)	1.06 (26.92)	1.02 (25.91)	1.27 (32.26)	.390 (9.91)	.39 (9.91)	1.11 (28.19)	1.55 (39.37)
16	M22 x 1.0-6H	1.16 (29.46)	1.100 (27.94)	1.29 (32.77)	.620 (15.75)	.63 (16.00)	1.30 (33.02)	1.16 (29.46)	1.18 (29.97)	1.38 (35.05)	.506 (12.85)	.51 (12.95)	1.18 (29.97)	1.65 (41.91)
18	M25 x 1.0-6H	1.26 (32.00)	1.230 (31.24)	1.41 (35.81)	.700 (17.78)	.71 (18.03)	1.38 (35.05)	1.34 (34.04)	1.31 (33.27)	1.48 (37.59)	.591 (15.01)	.59 (14.99)	1.23 (31.24)	1.77 (44.96)
20	M28 x 1.0-6H	1.40 (35.56)	1.410 (35.81)	1.59 (40.39)	.778 (19.76)	.78 (19.81)	1.46 (37.08)	1.41 (35.81)	1.42 (36.07)	1.58 (40.13)	.661 (16.79)	.66 (16.76)	1.29 (32.77)	1.81 (45.97)
22	M31 x 1.0-6H	1.52 (38.61)	1.510 (38.35)	1.66 (42.16)	.850 (21.59)	.86 (21.84)	1.58 (40.13)	1.53 (38.86)	1.54 (39.12)	1.68 (42.67)	.744 (18.90)	.74 (18.80)	1.37 (34.80)	1.86 (47.24)
24	M34 x 1.0-6H	1.64 (41.66)	1.660 (42.16)	1.77 (44.96)	.961 (24.41)	.97 (24.64)	1.62 (41.15)	1.66 (42.16)	1.65 (41.91)	1.80 (45.72)	.826 (20.98)	.83 (21.08)	1.42 (36.07)	1.90 (48.26)

Series 806 Mil-Aero Connectors



440V*191 Metal EMI/RFI Boot and Band Adapter



Features

- EMI/RFI
- Self-locking spin coupling
- Band-Master shield termination

Specifications

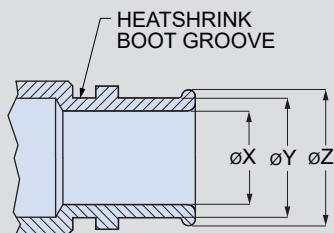
- Operating temperature:
codes ME, MT and Z1: -65°C to +200°C
codes ZR, NF, NFP: -65°C to +175°C
- Shell conductivity:
aluminum versions: 2.5 milliohms max.
Stainless steel: 5 milliohms max.
- Salt spray (corrosion)
Code ME, NFP: 96 hours
Code NF, ZR, MT, Z1: 1000 hours
- Vibration: SAE AS85049 Category 3B
- Shock: SAE AS85049 Category 3B

Construction

- Coupling nut, adapter: aluminum alloy or 300 series stainless steel. See material/finish options in How to Order table.
- O-ring: silicone
- Anti-decoupling device: corrosion-resistant material

Shrink Boot Options

- Consult factory for shrink boot options.



EMI shielding. Band-Master ATS® shield termination. Self-locking. Environmental. Spin coupling EMI/RFI adapter with anti-decoupling ratchet prevents loosening under vibration. Fits Series 806 connectors. Terminate cable shield to backshell with **Band-Master ATS®** stainless steel band. Compatible with Glenair Series 77 lipped heatshrink boots. Straight, 45° or 90° cable exit. Aluminum or stainless steel.

How To Order						
SAMPLE PART NUMBER	440VS191	ME	12	06	-4	K
Product	440VS191 = Straight Adapter 440VH191 = 45° Adapter 440VJ191 = 90° Adapter					
Material/ Finish	ME = Aluminum, Electroless Nickel MT = Aluminum, Ni/PTFE ZR = Aluminum, Black Zinc-Nickel NF = Aluminum, Olive Drab Cadmium NFP = Aluminum, Olive Drab Cadmium, nickel-plated shield termination area, polysulfide barrier Z1 = Stainless Steel, Passivated					
Shell Size	07 08 09 10 11 12 14 16 18 20 22 24					
Cable Entry Code	See Table 1 for cable entry sizes					
Adapter Length	Omit for 45° and 90° versions. Applicable to 440VS191 only. Length in 1/2 inch increments: 3 = 1 1/2 inches (min. for Style 1 shown at right) 4 = 2 inches (min. for Style 2 shown on following page) 5 = 2 1/2 inches 6 = 3 inches					
Optional Band Strap	Omit if bands will be purchased separately. K = Adapter supplied with pre-coiled band strap 601-041					

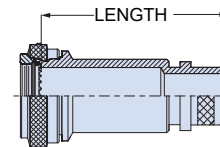
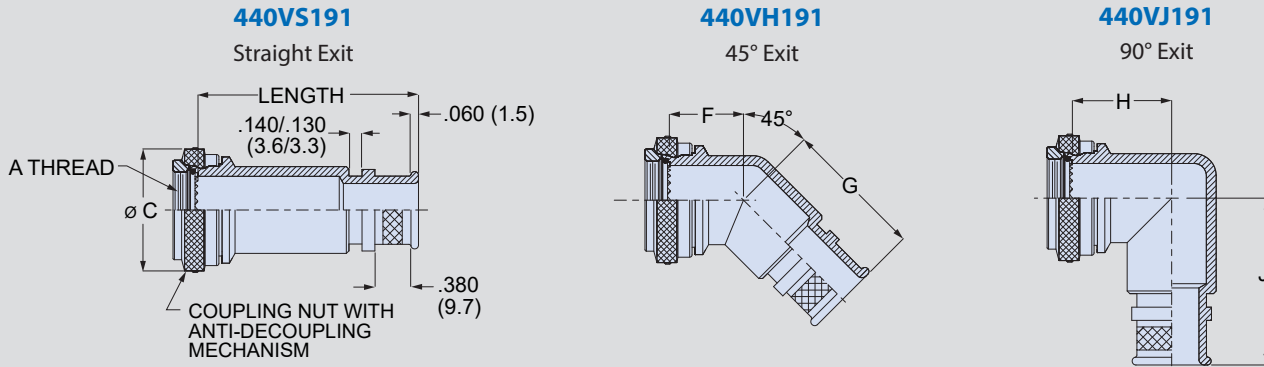


Table 1: Cable Entry

Cable Entry Code	ø X Typ.	ø Y Typ.	ø Z Typ.	Cable Entry Code	ø X Typ.	ø Y Typ.	ø Z Typ.
02	.125 (3.18)	.250 (6.35)	.312 (7.92)	13	.812 (20.62)	.938 (23.83)	1.000 (25.40)
03	.188 (4.78)	.312 (7.92)	.374 (9.50)	14	.875 (22.23)	1.000 (25.40)	1.062 (26.97)
04	.250 (6.35)	.375 (9.52)	.437 (11.10)	15	.938 (23.83)	1.062 (26.97)	1.124 (28.55)
05	.312 (7.92)	.438 (11.13)	.500 (12.70)	16	1.000 (25.40)	1.125 (28.58)	1.187 (30.15)
06	.375 (9.52)	.500 (12.70)	.562 (14.27)	17	1.062 (26.97)	1.188 (30.18)	1.250 (31.75)
07	.438 (11.13)	.562 (14.27)	.624 (15.85)	18	1.125 (28.58)	1.250 (31.75)	1.312 (33.32)
08	.500 (12.70)	.625 (15.88)	.687 (17.45)	20	1.250 (31.75)	1.375 (34.92)	1.437 (36.50)
09	.562 (14.27)	.688 (17.48)	.750 (19.05)	22	1.375 (34.92)	1.500 (38.10)	1.562 (39.67)
10	.625 (15.88)	.750 (19.05)	.812 (20.62)	24	1.500 (38.10)	1.625 (41.28)	1.687 (42.85)
11	.688 (17.48)	.812 (20.62)	.874 (22.20)	26	1.625 (41.28)	1.750 (44.45)	1.812 (46.02)
12	.750 (19.05)	.875 (22.23)	.937 (23.80)	28	1.750 (44.45)	1.875 (47.63)	1.937 (49.20)

Series 806 Mil-Aero Connectors

440V*191 Metal EMI/RFI Boot and Band Adapter

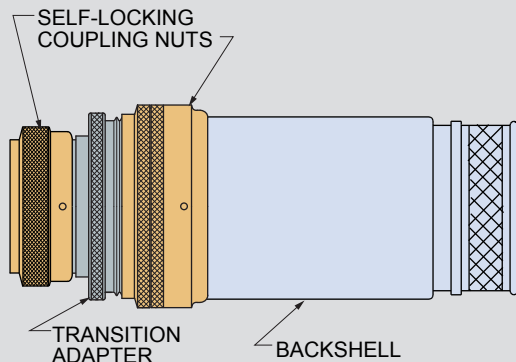


Shell Size	A ISO Metric Thd	øC Max.	F Max. ⁽¹⁾	G Max.	H Max. ⁽¹⁾	J Max.	Max. Cable Entry Code ⁽¹⁾	Max. Cable Entry Dia. ⁽¹⁾
07	M8 x 1.0-6H	.640 (16.26)	.630 (16.00)	.880 (22.35)	.730 (18.54)	1.080 (27.43)	03	.188 (4.78)
08	M10 x 1.0-6H	.692 (17.58)	.640 (16.26)	.920 (23.37)	.760 (19.30)	1.130 (28.70)	04	.250 (6.35)
09	M12 x 1.0-6H	.786 (19.96)	.650 (16.51)	.960 (24.38)	.790 (20.07)	1.180 (29.97)	05	.312 (7.92)
10	M14 x 1.0-6H	.883 (22.43)	.680 (17.27)	.990 (25.15)	.840 (21.34)	1.230 (31.24)	06	.375 (9.52)
11	M15 x 1.0-6H	.911 (23.14)	.690 (17.53)	1.020 (25.91)	.850 (21.59)	1.240 (31.50)	07	.438 (11.13)
12	M17 x 1.0-6H	1.002 (25.45)	.720 (18.29)	1.050 (26.67)	.900 (22.86)	1.290 (32.77)	08	.500 (12.70)
14	M19 x 1.0-6H	1.066 (27.08)	.730 (18.54)	1.080 (27.43)	.930 (23.62)	1.320 (33.53)	09	.562 (14.27)
16	M22 x 1.0-6H	1.196 (30.38)	.770 (19.56)	1.150 (29.21)	1.000 (25.40)	1.400 (35.56)	11	.688 (17.48)
18	M25 x 1.0-6H	1.311 (33.30)	.800 (20.32)	1.210 (30.73)	1.050 (26.67)	1.490 (37.85)	13	.812 (20.62)
20	M28 x 1.0-6H	1.430 (36.32)	.840 (21.34)	1.270 (32.26)	1.110 (28.19)	1.580 (40.13)	15	.938 (23.83)
22	M31 x 1.0-6H	1.548 (39.32)	.870 (22.10)	1.320 (33.53)	1.170 (29.72)	1.660 (42.16)	17	1.062 (26.97)
24	M34 x 1.0-6H	1.696 (43.08)	.920 (23.37)	1.390 (35.31)	1.250 (31.75)	1.770 (44.96)	18	1.125 (28.58)

(1) If the maximum cable entry code is exceeded, the backshell will be a "Style 2" with a transition adapter as shown below. The F and H dimensions will be increased by 1.00 inch (25.4 mm.) maximum.

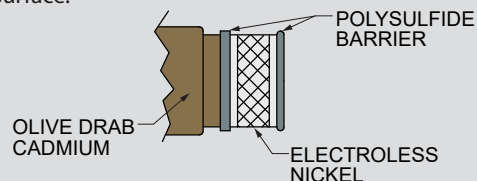
Style 2 Adapters for Large Diameter Cables

If the cable entry diameter exceeds the maximum cable entry code shown in the above table, the adapter will be supplied with a **transition adapter**. On straight exit backshells, the transition adapter does not affect the length. On 45° and 90° versions the transition adapter adds 1.00 inch (25.4mm) maximum to the backshell length.



Application Note: Selective Plated Cadmium with Polysulfide Barrier

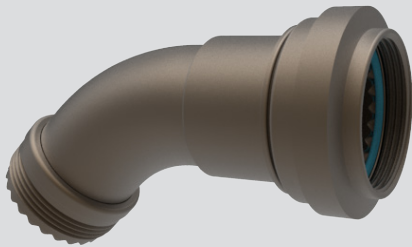
Olive drab (OD) cadmium (Cd) over electroless nickel (EN) is available in two versions. The standard version, designated as Glenair code **NF**, is a uniform Cd/EN finish over the entire part. A second version, designated as Glenair code **NFP**, is selectively plated with electroless nickel in the knurled shield attachment area. A polysulfide barrier separates the electroless nickel area from the cadmium plated area. This selectively plated version prevents galvanic corrosion that could potentially occur if nickel-coated shield braid is attached to a cadmium plated surface.



ENVIRONMENTAL, MICRO MINIATURE CIRCULAR Series 806 Mil-Aero Connectors



320V*030 Environmental Extended Adapter for Size #8 Contacts



Self-locking, Straight, 45°, or 90°. Threaded coupling extended front end adapter with long radius angular function. Anti-decoupling ratchet prevents loosening under vibration. Accommodates Series 806 connectors with size #8 contacts. Straight, 45° or 90° cable exit. Aluminum or stainless steel.

Features

- Expanded clearance for El Ochito Contacts
- EMI/RFI
- Self-locking spin coupling

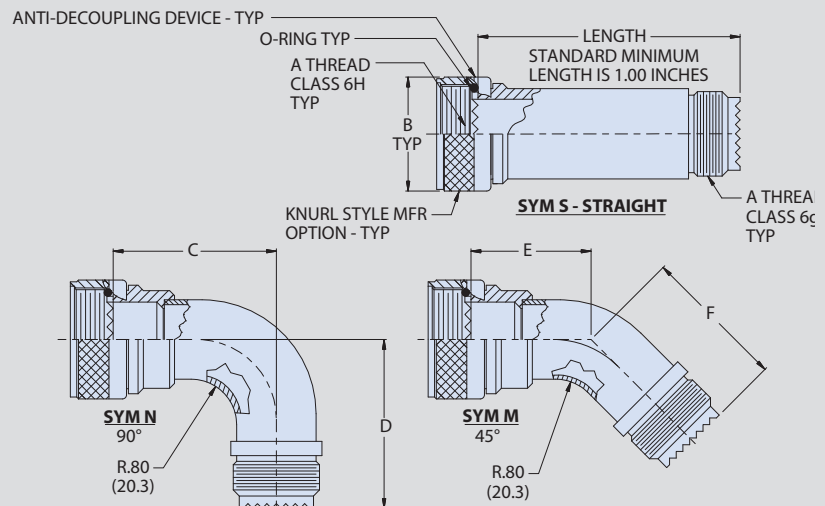
Specifications

- Operating temperature:
codes ME, MT and Z1: -65°C to +200°C
codes ZR, NF, TZ: -65°C to +175°C
- Shell conductivity:
aluminum versions: 2.5 milliohms max.
Stainless steel: 5 milliohms max.
- Salt spray (corrosion)
Code ME: 96 hours
Code NF, ZR, MT, Z1, TZ: 1000 hours
- Vibration: SAE AS85049 Category 3B
- Shock: SAE AS85049 Category 3B

Construction

- Coupling nut, adapter: aluminum alloy or 300 series stainless steel. See material/finish options in How to Order table.
- O-ring: silicone
- Anti-decoupling device: corrosion-resistant material

How To Order					
SAMPLE PART NUMBER		320VS030	ME	16	-4
Product	320VS030 = Straight Backshell 320VM030 = 45° Backshell 320VN030 = 90° Backshell				
Material/ Finish	ME = Aluminum, Electroless Nickel, MT = Aluminum, Ni/PTFE NF = Aluminum, Olive Drab Cadmium TZ = Aluminum, Tin-Zinc ZR = Aluminum, Black Zinc-Nickel Z1 = Stainless Steel, Passivated				
Shell Size	08 09 10 11 12 14 16 18 20 22 24				
Backshell Length	length given in .25 inch increments (eg. 8 = 2.0 inches). Applies to straight backshell only				



Shell Size	A Thread Iso Metric	B Max	C Max	D Max	E Max	F Max	G Max
08	M10 X 1	0.692 (17.58)	1.853 (47.07)	1.457 (37.01)	1.393 (35.38)	0.997 (25.32)	0.723 (18.36)
09	M12 X 1	0.786 (19.96)	1.853 (47.07)	1.457 (37.01)	1.393 (35.38)	0.997 (25.32)	0.723 (18.36)
10	M14 X 1	0.883 (22.43)	1.915 (48.64)	1.519 (38.58)	1.420 (36.07)	1.024 (26.01)	0.742 (18.85)
11	M15 X 1	0.911 (23.14)	1.915 (48.64)	1.519 (38.58)	1.420 (36.07)	1.024 (26.01)	0.742 (18.85)
12	M17 X 1	1.002 (25.45)	2.067 (52.50)	1.671 (42.44)	1.445 (36.70)	1.049 (26.64)	0.760 (19.30)
14	M19 X 1	1.066 (27.08)	2.067 (52.50)	1.671 (42.44)	1.445 (36.70)	1.049 (26.64)	0.760 (19.30)
16	M22 X 1	1.196 (30.38)	2.130 (54.10)	1.734 (44.04)	1.501 (38.13)	1.105 (28.07)	0.799 (20.29)
18	M25 X 1	1.311 (33.30)	2.235 (56.77)	1.839 (46.71)	1.540 (39.12)	1.144 (29.06)	0.827 (21.01)
20	M28 X 1	1.430 (36.32)	2.298 (58.37)	1.902 (48.31)	1.566 (39.78)	1.170 (29.72)	0.845 (21.46)
22	M31 X 1	1.548 (39.32)	2.359 (59.92)	1.963 (49.86)	1.548 (39.32)	1.152 (29.26)	0.833 (21.16)
24	M34 X 1	1.696 (43.08)	2.380 (60.45)	1.984 (50.39)	1.570 (39.88)	1.174 (29.82)	0.848 (21.54)

Series 806 Mil-Aero Connectors



440V*233 Metal EMI/RFI, Shield Termination Backshell



Features

- Expanded clearance for El Ochito Contacts
- Self-locking spin coupling

Specifications

- Operating temperature:
codes ME, MT and Z1: -65°C to +200°C
codes ZR, NF, TZ: -65°C to +175°C
- Shell conductivity:
aluminum versions: 2.5 milliohms max.
Stainless steel: 5 milliohms max.
- Salt spray (corrosion)
Code ME: 96 hours
Code NF, ZR, MT, Z1, TZ: 1000 hours
- Vibration: SAE AS85049 Category 3B
- Shock: SAE AS85049 Category 3B

Construction

- Adapter, elbow, coupling nut, ferrule, clamp: see material/finish options in How to Order table.
- Anti-decoupling device: corrosion-resistant material or high grade engineering thermoplastic
- O-rings: silicone/N.A.
- Band/hardware: CRES/passivate

Application Notes

- Standard minimum length is 1.50 inches, applies to Symbol S, Straight only
- For effective grounding, connector with conductive finish should be used.

EMI/RFI, extended front end long radius angular function strain relief cable clamp backshell with integral banding platform. Threaded coupling backshell with anti-decoupling ratchet prevents loosening under vibration. Accommodates Series 806 connectors with size #8 contacts and cable sealing boots. Aluminum or stainless steel.

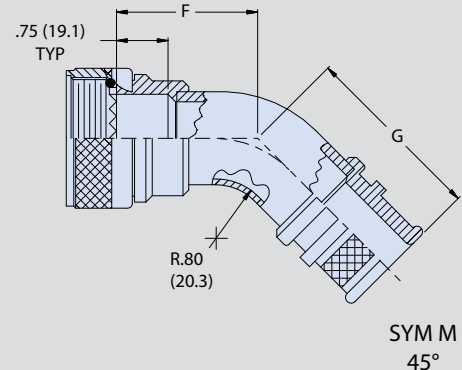
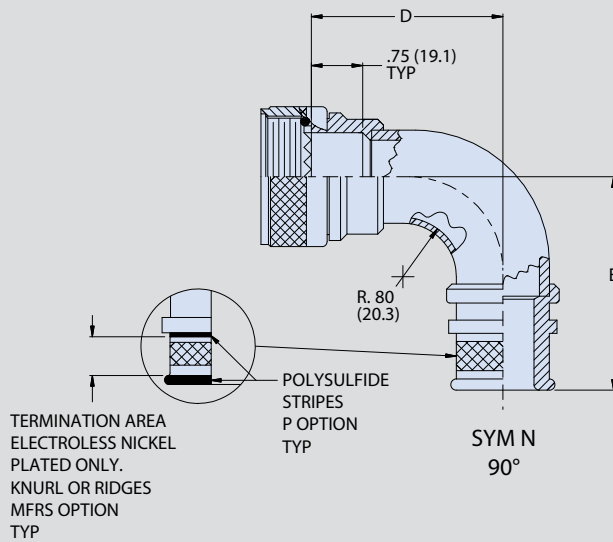
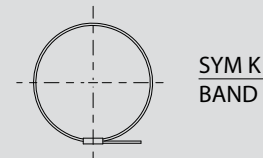
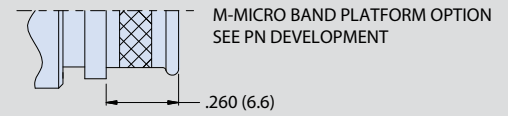
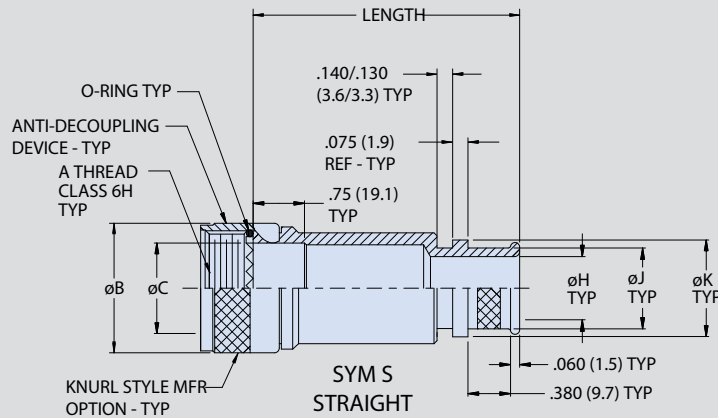
How To Order	
SAMPLE PART NUMBER	440VS233 ME 10 08 M -8 K P T
Product	440VS233 = Straight Backshell 440VN233 = 90° Angle Backshell 440VM233 = 45° Angle Backshell
Material/Finish	ME = Aluminum, Electroless Nickel MT = Aluminum, Ni/PTFE NF = Aluminum, Olive Drab Cadmium TZ = Tin-Zinc ZR = Aluminum, Black Zinc-Nickel Z1 = Stainless Steel, Passivated
Shell Size	08 09 10 11 12 14 16 18 20 22 24
Dash No	See Dash Number Table
Band Platform Option	M = Micro Band Platform (omit for standard platform)
Length	Designate in .25 inch increments (eg. -8 = 2.0 inches) <i>Applies to straight backshell only</i>
Band Option	K = Precoiled Band (omit if not required)
Plating Shield	P = Polysulfide (omit if not required); when polysulfide barrier is selected for plating, shield termination surface shall be electroless nickel plated only. <i>Applies to "NF", "TZ", and "ZR"</i>
Shrink Boot	T = Standard Shrink Boot (* = 1) T1 = Standard with Pre-Coated W1 Hot Melt Adhesive (* = 1) H = Zero Halogen Shrink Boot (* = 2) H1 = Zero Halogen with pre-coated W1 Hot Melt Adhesive (* = 2) See Dash Number Table for complete shrink boot part number to order separately (Omit for none)

Dash Number					
DASH NO	ØH TYP	ØJ TYP	ØK TYP	SHRINK BOOT T OR H REF	SHRINK BOOT WITH ADHESIVE
02	0.125 (3.18)	0.250 (6.35)	0.312 (7.92)	770-003S*11	770-003S*11W1
03	0.188 (4.78)	0.312 (7.92)	0.374 (9.50)	770-003S*11	770-003S*11W1
04	0.250 (6.35)	0.375 (9.52)	0.437 (11.10)	770-003S*12	770-003S*12W1
05	0.312 (7.92)	0.438 (11.13)	0.500 (12.70)	770-003S*12	770-003S*12W1
06	0.375 (9.52)	0.500 (12.70)	0.562 (14.27)	770-001S*03	770-001S*03W1
07	0.438 (11.13)	0.562 (14.27)	0.624 (15.85)	770-001S*04	770-001S*04W1
08	0.500 (12.70)	0.625 (15.88)	0.687 (17.45)	770-001S*04	770-001S*04W1
09	0.562 (14.27)	0.688 (17.48)	0.750 (19.05)	770-001S*04	770-001S*04W1
10	0.625 (15.88)	0.750 (19.05)	0.812 (20.62)	770-001S*04	770-001S*04W1
11	0.688 (17.48)	0.812 (20.62)	0.874 (22.20)	770-001S*04	770-001S*04W1
12	0.750 (19.05)	0.875 (22.23)	0.937 (23.80)	770-001S*05	770-001S*05W1
13	0.812 (20.62)	0.938 (23.83)	1.000 (25.40)	770-001S*05	770-001S*05W1
14	0.875 (22.23)	1.000 (25.40)	1.062 (26.97)	770-001S*05	770-001S*05W1
15	0.938 (23.83)	1.062 (26.97)	1.124 (28.55)	770-001S*05	770-001S*05W1
16	1.000 (25.40)	1.125 (28.58)	1.187 (30.15)	770-001S*06	770-001S*06W1
17	1.062 (26.97)	1.188 (30.18)	1.250 (31.75)	770-001S*06	770-001S*06W1
18	1.125 (28.58)	1.250 (31.75)	1.312 (33.32)	770-001S*07	770-001S*07W1

Series 806 Mil-Aero Connectors



440V*233 Metal EMI/RFI, Shield Termination Backshell

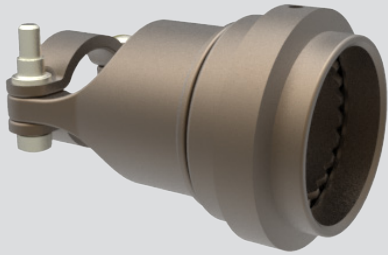


Shell Size	A Thread ISO Metric	ØC Max	D Max	E Max	F Max	G Max	Max Cable Entry	Max Entry
08	M10 X 1-6H	.692 (17.58)	.790 (20.07)	1.190 (30.23)	.940 (23.88)	1.350 (34.29)	.250 (6.35)	04
09	M12 X 1-6H	.786 (19.96)	.790 (20.07)	1.190 (30.23)	.940 (23.88)	1.350 (34.29)	.250 (6.35)	04
10	M14 X 1-6H	.883 (22.43)	.790 (20.07)	1.260 (32.00)	.970 (24.64)	1.450 (36.83)	.375 (9.52)	06
11	M15 X 1-6H	.911 (23.14)	.790 (20.07)	1.260 (32.00)	.970 (24.64)	1.450 (36.83)	.375 (9.52)	06
12	M17 X 1-6H	1.002 (25.45)	.830 (21.08)	1.340 (34.04)	1.040 (26.42)	1.550 (39.37)	.500 (12.70)	08
14	M19 X 1-6H	1.066 (27.08)	.830 (21.08)	1.340 (34.04)	1.040 (26.42)	1.550 (39.37)	.500 (12.70)	08
16	M22 X 1-6H	1.196 (30.38)	.840 (21.34)	1.410 (35.81)	1.080 (27.43)	1.650 (41.91)	.625 (15.88)	10
18	M25 X 1-6H	1.311 (33.30)	.890 (22.61)	1.490 (37.85)	1.40 (35.56)	1.740 (44.20)	.750 (19.05)	12
20	M28 X 1-6H	1.430 (36.32)	.920 (23.37)	1.560 (39.62)	1.210 (30.73)	1.840 (46.74)	.875 (22.23)	14
22	M31 X 1-6H	1.548 (39.32)	.950 (24.13)	1.620 (41.15)	1.280 (32.51)	1.940 (49.28)	1.000 (25.40)	16
24	M34 X 1-6H	1.696 (43.08)	.970 (24.64)	1.680 (42.67)	1.330 (33.78)	2.040 (51.82)	1.125 (28.58)	18

Series 806 Mil-Aero Connectors



620VS090 Strain Relief Cable Clamp Backshell, Size #8 Contacts



Extended shell strain relief cable clamp backshell. Self-locking. Threaded coupling adapter with anti-decoupling ratchet prevents loosening under vibration. Accommodates Series 806 connectors with size #8 contacts and cable sealing boots. Aluminum or stainless steel.

How To Order			
	SAMPLE PART NUMBER	620VS090	ME 16
Product	620VS090 = Series 806, Straight Backshell		
Material/ Finish	ME = Aluminum, Electroless Nickel MT = Aluminum, Ni/PTFE NF = Aluminum, Olive Drab Cadmium ZR = Aluminum, Black Zinc-Nickel Z1 = Stainless Steel, Passivated		
Shell Size	08 09 10 11 12 14 16 18 20 22 24		

Features

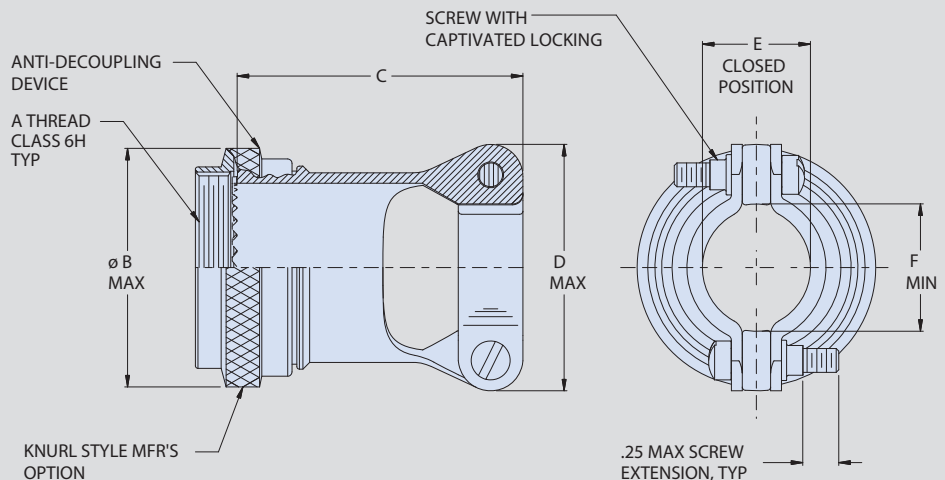
- Expanded clearance for El Ochito Contacts
- Self-locking spin coupling

Specifications

- Operating temperature: codes ME, MT and Z1: -65°C to +200°C codes ZR, NF, TZ: -65°C to +175°C
- Shell conductivity: aluminum versions: 2.5 milliohms max. Stainless steel: 5 milliohms max.
- Salt spray (corrosion) Code ME: 96 hours Code NF, ZR, MT, Z1, TZ: 1000 hours
- Vibration: SAE AS85049 Category 3B
- Shock: SAE AS85049 Category 3B

Construction

- Coupling nut, saddles, clamp body: aluminum alloy or 300 series stainless steel. See material/finish options in How to Order table.
- Hardware: CRES/passivate or Cad/O.D. over nickel
- Anti-decoupling device: corrosion-resistant material



Shell Size	A Thread ISO Metric	B Dia Max	C	D Max	E ±0.031 (0.79)	F Min
08	M10 x 1	0.642 (16.31)	1.23 (31.24)	0.93 (23.62)	0.205 (5.21)	0.18 (4.57)
09	M12 x 1	0.735 (18.67)	1.28 (32.51)	0.98 (24.89)	0.219 (5.56)	0.22 (5.59)
10	M14 x 1	0.786 (19.96)	1.28 (32.51)	1.02 (25.91)	0.244 (6.20)	0.25 (6.35)
11	M15 x 1	0.830 (21.08)	1.35 (34.29)	1.05 (26.67)	0.264 (6.71)	0.27 (6.86)
12	M17 x 1	0.911 (23.14)	1.35 (34.29)	1.12 (28.45)	0.312 (7.92)	0.32 (8.13)
14	M19 x 1	1.002 (25.45)	1.41 (35.81)	1.20 (30.48)	0.344 (8.74)	0.35 (8.89)
16	M22 x 1	1.149 (29.18)	1.47 (37.34)	1.30 (33.02)	0.460 (11.68)	0.47 (11.94)
18	M25 x 1	1.264 (32.11)	1.53 (38.86)	1.44 (36.58)	0.545 (13.84)	0.55 (13.97)
20	M28 x 1	1.394 (35.41)	1.66 (42.16)	1.56 (39.62)	0.615 (15.62)	0.62 (15.75)
22	M31 x 1	1.513 (38.43)	1.72 (43.69)	1.69 (42.93)	0.698 (17.73)	0.70 (17.78)
24	M34 x 1	1.631 (41.43)	1.78 (45.21)	1.77 (44.96)	0.780 (19.81)	0.78 (19.81)

Series 806 Mil-Aero Connectors



440VS232 EMI/RFI Strain Relief Cable Clamp, Size #8 Contacts



Strain relief cable clamp adapter. Self-locking. Threaded coupling adapter with anti-decoupling ratchet prevents loosening under vibration. Accommodates Series 806 connectors with size #8 contacts and cable sealing boots. Aluminum or stainless steel.

Features

- Expanded clearance for El Ochito contacts
- EMI/RFI
- Band strap shield termination
- Shield termination slot option
- Self-locking spin coupling

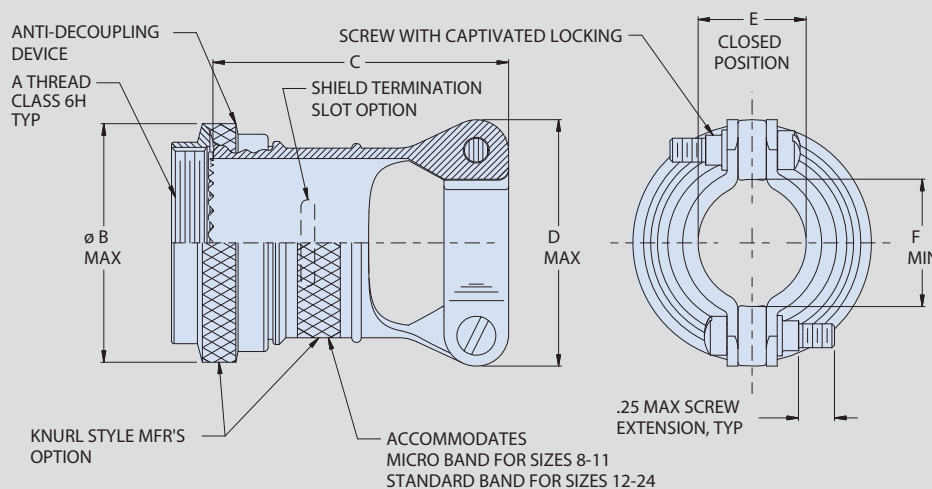
Specifications

- Operating temperature: codes ME, MT and Z1: -65°C to +200°C codes ZR, NF, TZ: -65°C to +175°C
- Shell conductivity: aluminum versions: 2.5 milliohms max. Stainless steel: 5 milliohms max.
- Salt spray (corrosion) Code ME: 96 hours Code NF, ZR, MT, Z1, TZ: 1000 hours
- Vibration: SAE AS85049 Category 3B
- Shock: SAE AS85049 Category 3B

Construction

- Coupling nut, saddles, clamp body: aluminum alloy or 300 series stainless steel. See material/finish options in How to Order table.
- Hardware: CRES/passivate or Cad/O.D. over nickel
- Anti-decoupling device: corrosion-resistant material

How To Order						
	SAMPLE PART NUMBER	440VS232	NF	16	S	K
Product	440VS232 = Series 806, Straight Backshell					
Material/ Finish	ME = Aluminum, Electroless Nickel MT = Aluminum, Ni/PTFE NF = Aluminum, Olive Drab Cadmium ZR = Aluminum, Black Zinc-Nickel Z1 = Stainless Steel, Passivated					
Shell Size	08 09 10 11 12 14 16 18 20 22 24					
Shield Termination Slot	S = Shield Termination Slot					
Precoiled Band	K = Percoiled Band (Omit for None)					



Shell Size	A Thread ISO Metric	B Dia Max	C	D Max	E +0.031 (0.79)	F Min
08	M10 x 1	0.642 (16.31)	1.23 (31.24)	0.93 (23.62)	0.205 (5.21)	0.18 (4.57)
09	M12 x 1	0.735 (18.67)	1.28 (32.51)	0.98 (24.89)	0.219 (5.56)	0.22 (5.59)
10	M14 x 1	0.786 (19.96)	1.28 (32.51)	1.02 (25.91)	0.244 (6.20)	0.25 (6.35)
11	M15 x 1	0.830 (21.08)	1.35 (34.29)	1.05 (26.67)	0.264 (6.71)	0.27 (6.86)
12	M17 x 1	0.911 (23.14)	1.35 (34.29)	1.12 (28.45)	0.312 (7.92)	0.32 (8.13)
14	M19 x 1	1.002 (25.45)	1.41 (35.81)	1.20 (30.48)	0.344 (8.74)	0.35 (8.89)
16	M22 x 1	1.149 (29.18)	1.47 (37.34)	1.30 (33.02)	0.460 (11.68)	0.47 (11.94)
18	M25 x 1	1.264 (32.11)	1.53 (38.86)	1.44 (36.58)	0.545 (13.84)	0.55 (13.97)
20	M28 x 1	1.394 (35.41)	1.66 (42.16)	1.56 (39.62)	0.615 (15.62)	0.62 (15.75)
22	M31 x 1	1.513 (38.43)	1.72 (43.69)	1.69 (42.93)	0.698 (17.73)	0.70 (17.78)
24	M34 x 1	1.631 (41.43)	1.78 (45.21)	1.77 (44.96)	0.780 (19.81)	0.78 (19.81)

Series 806 Mil-Aero Connectors



443V*042 EMI/RFI Environmental, Cable Clamp for Size #8 Contacts



EMI/RFI environmental, extended front end long radius angular function strain relief with cable clamp backshell with band in a can banding. Threaded coupling backshell with anti-decoupling ratchet prevents loosening under vibration. Accommodates Series 806 connectors with size #8 contacts and cable sealing boots. Aluminum or stainless steel.

Features

- Expanded clearance for El Ochoito Contacts
- Self-locking spin coupling

Specifications

- Operating temperature:
codes ME, and Z1: -65°C to +200°C
codes ZR, MT, NF, TZ: -65°C to +175°C
- Shell conductivity:
aluminum versions: 2.5 milliohms max.
Stainless steel: 5 milliohms max.
- Salt spray (corrosion)
Code ME: 96 hours
Code ZR : 500 hours
Code NF, MT, Z1, TZ: 1000 hours
- Vibration: SAE AS85049 Category 3B
- Shock: SAE AS85049 Category 3B

Construction

- Adapter, elbow, coupling nut, ferrule, clamp: see material/finish options in How to Order table.
- Anti-decoupling device: corrosion-resistant material or high grade engineering thermoplastic
- O-rings: silicone/N.A.
- Band/hardware: CRES/passivate

Application Notes

- Standard minimum length is 1.50 inches, applies to Symbol S, Straight only
- For effective grounding, connector with conductive finish should be used.

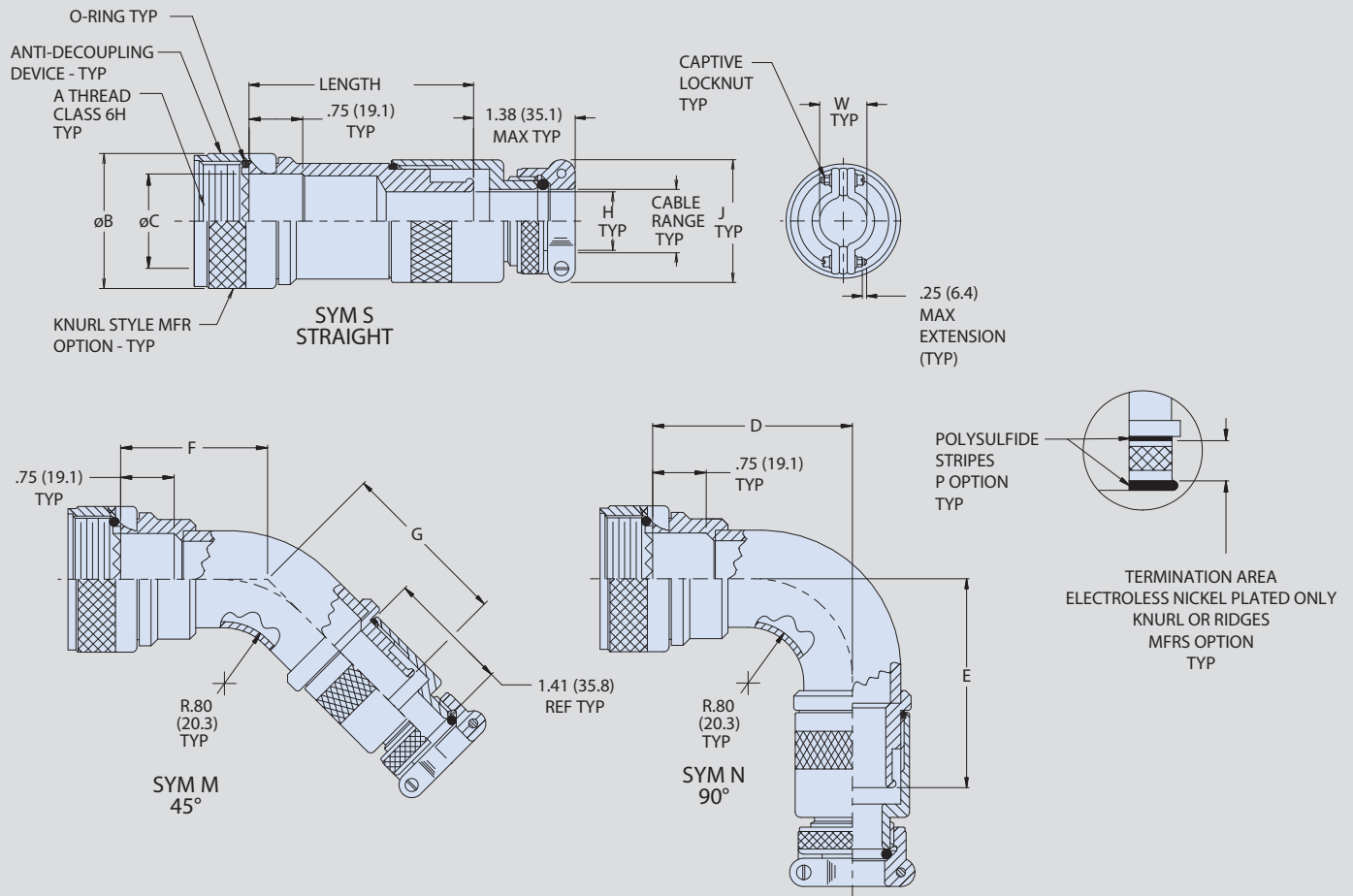
How To Order								
SAMPLE PART NUMBER		443VS042	ME	12	04	-8	K	P
Product	443VS042 = Series 806, Straight Backshell 443VN042 = Series 806, 90° Angle Backshell 443VM042 = Series 806, 45° Angle Backshell							
Material/Finish	ME = Aluminum, Electroless Nickel MT = Aluminum, Ni/PTFE NF = Aluminum, Olive Drab Cadmium TZ = Tin-Zinc ZR = Aluminum, Black Zinc-Nickel Z1 = Stainless Steel, Passivated							
Shell Size	08 09 10 11 12 14 16 18 20 22 24							
Dash No	See Dash Number Table							
Length	Designate in .25 inch increments (eg. 8 = 2.0 inches) Applies to straight backshell only							
Band	K = precoiled band (omit if not required)							
Plating Shield	P = Polysulfide (omit if not required); when polysulfide barrier is selected for plating, shield termination surface shall be electroless nickel plated only. Applies to "NF", "TZ", and "ZR"							

Dash Number					
DASH NO	J MAX	CABLE RANGE		W CLOSED	H MIN DIA
		MIN	MAX		
01	1.05 (26.67)	0.125 (3.18)	0.250 (6.35)	0.264 (6.71)	0.25 (6.35)
02	1.20 (30.48)	0.188 (4.78)	0.375 (9.52)	0.344 (8.74)	0.37 (9.40)
03	1.30 (33.02)	0.312 (7.92)	0.438 (11.13)	0.460 (11.68)	0.43 (10.92)
04	1.44 (36.58)	0.343 (8.71)	0.500 (12.70)	0.545 (13.84)	0.50 (12.70)
05	1.69 (42.93)	0.438 (11.13)	0.625 (15.88)	0.698 (17.73)	0.62 (15.75)
06	1.77 (44.96)	0.562 (14.27)	0.750 (19.05)	0.780 (19.81)	0.75 (19.05)
07	2.12 (53.85)	0.688 (17.48)	0.875 (22.23)	0.950 (24.13)	0.87 (22.10)
08	2.50 (63.50)	0.812 (20.62)	1.000 (25.40)	1.015 (25.78)	1.00 (25.40)
09	2.62 (66.55)	0.938 (23.83)	1.125 (28.58)	1.187 (30.15)	1.12 (28.45)

Series 806 Mil-Aero Connectors



443V*042 EMI/RFI Environmental, Cable Clamp for Size #8 Contacts



Shell Size	A Thd ISO Metric	ØB Max	ØC ±.005 (0.13)	D Max	B Max	F Max	G Max	Max Entry
08	M10 X 1	.710(18.0)	0.269 (6.80)	1.853(47.1)	1.903(48.3)	1.393(35.4)	1.443(36.7)	01
09	M12 X 1	.790(20.1)	0.346 (8.80)	1.853(47.1)	1.903(48.3)	1.393(35.4)	1.443(36.7)	01
10	M14 X 1	.890(22.6)	.410(10.4)	1.915(48.6)	1.965(49.9)	1.420(36.1)	1.470(37.3)	02
11	M15 X 1	.930(23.6)	.471(11.9)	1.915(48.6)	1.965(49.9)	1.420(36.1)	1.470(37.3)	02
12	M17 X 1	1.010(25.7)	.539(13.7)	2.067(52.5)	2.117(53.8)	1.445(36.7)	1.495(38.0)	04
14	M19 X 1	1.090(27.7)	.592(15.0)	2.067(52.5)	2.117(53.8)	1.445(36.7)	1.495(38.0)	04
16	M22 X 1	1.210(30.7)	.740(18.8)	2.130(54.1)	2.180(55.4)	1.501(38.1)	1.551(39.4)	05
18	M25 X 1	1.330(33.8)	.856(21.7)	2.235(56.8)	2.285(58.0)	1.540(39.1)	1.590(40.4)	06
20	M28 X 1	1.450(36.8)	.980(24.9)	2.298(58.4)	2.348(59.6)	1.566(39.8)	1.616(41.0)	07
22	M31 X 1	1.570(39.9)	1.070(27.2)	2.359(59.9)	2.409(61.2)	1.548(39.3)	1.598(40.6)	08
24	M34 X 1	1.710(43.4)	1.214(30.8)	2.380(60.5)	2.430(61.7)	1.570(39.9)	1.620(41.1)	09

ENVIRONMENTAL, MICRO MINIATURE CIRCULAR

Series 806

Mil-Aero Connectors

340VS035 Shorting Cap



Spin coupling shorting cap fits Series 806 connectors with metric accessory thread. Available with lanyard attachments. Aluminum.

Features

- Spin coupling, environmental
- Wire rope, sash chain or braided nylon lanyards

Specifications

- Operating temperature:
codes ME, MT: -65°C to +200°C
codes ZR, NF: -65°C to +175°C
- Salt spray (corrosion)
Code ME: 96 hours
Code NF, ZR, MT: 1000 hours

Construction

- Coupling nut, shell: aluminum alloy.
- O-ring: silicone
- Attachment hardware: stainless steel, passivated

Table 1 Attachment Type



Nylon Rope (G)

-55° to +100°C, black, very flexible, very good abrasion resistance, good resistance to fuels, .120" (3mm) diameter



Polyurethane Coated Wire Rope (U)

Black polyurethane over stainless steel rope, -55° to +125°C, very flexible, excellent abrasion resistance, excellent resistance to fuels, .080" (2mm) diameter



Teflon[®] Jacketed Wire Rope (H)

Translucent FEP jacket over stainless steel, -55° to +200°C, fair flexibility, good abrasion resistance, .100" diameter

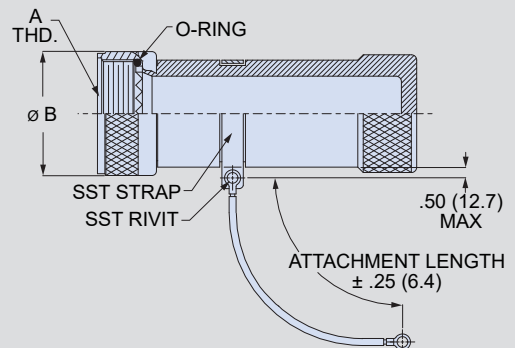


Sash Chain (S)

Stainless steel, #8 chain, .240" (6mm)

How To Order							
SAMPLE PART NUMBER	340VS035	ME	12	-3	S	12	-04
Product	340VS035 = Shorting Cap, straight, for Series 806 connectors						
Finish	ME = Aluminum, Electroless Nickel MT = Aluminum, Ni/PTFE ZR = Aluminum, Black Zinc-Nickel NF = Aluminum, Olive Drab Cadmium						
Shell Size	07 08 09 10 11 12 14 16 18 20 22 24						
Length	Length in ¼ inch increments. ¾ inch minimum. 3 = .75 inches (minimum) 8 = 2 inches 4 = 1 inch 9 = 2.25 inches 5 = 1.25 inches 10 = 2.5 inches 6 = 1.5 inches 12 = 3 inches 7 = 1.75 inches 16 = 4 inches						
Attachment Type (Table I)	N = No attachment G = Nylon rope U = SST rope with polyurethane coating H = SST rope with high temperature translucent FEP jacket S = Sash chain, #8, SST						
Attachment Length	Omit for attachment type N (no attachment) Lanyard length in ½ inch increments. e.g. 12 = 6 inches, 16 = 8 inches						
Attachment Ring Inside Diameter	Omit for attachment type N (no attachment) 04 = .126 (3.20) diameter 06 = .145 (3.68) diameter 08 = .188 (4.78) diameter 10 = .197 (5.00) diameter						

Shell Size	A ISO Metric Thread	øB Max.
07	M8 x 1.0-6H	.500 (12.70)
08	M10 x 1.0-6H	.570 (14.48)
09	M12 x 1.0-6H	.650 (16.51)
10	M14 x 1.0-6H	.750 (19.05)
11	M15 x 1.0-6H	.790 (20.07)
12	M17 x 1.0-6H	.870 (22.10)
14	M19 x 1.0-6H	.950 (24.13)
16	M22 x 1.0-6H	1.070 (27.18)
18	M25 x 1.0-6H	1.180 (29.97)
20	M28 x 1.0-6H	1.300 (33.02)
22	M31 x 1.0-6H	1.420 (36.07)
24	M34 x 1.0-6H	1.540 (39.12)



Series 806 Mil-Aero Connectors

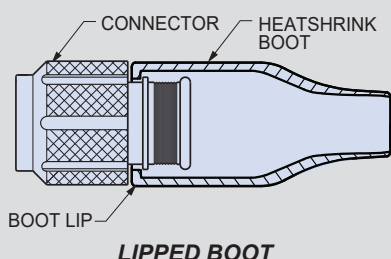
809*060 Thin Lip Environmental Shrink Boots



Protect Your Cable Harness with heat-shrinkable boots. These easy-to-use boots provide excellent electrical, mechanical and environmental protection. Heating the boot causes the boot to shrink onto the connector and cable. An adhesive lining bonds the boot to the connector and cable and fills small gaps for a complete seal. These lipped boots attach directly to Series 806 connectors with integral band platform.

Shrink boot installation guide and application instructions are available in the Series 77 Shrink Boot catalog or on the Glenair website.

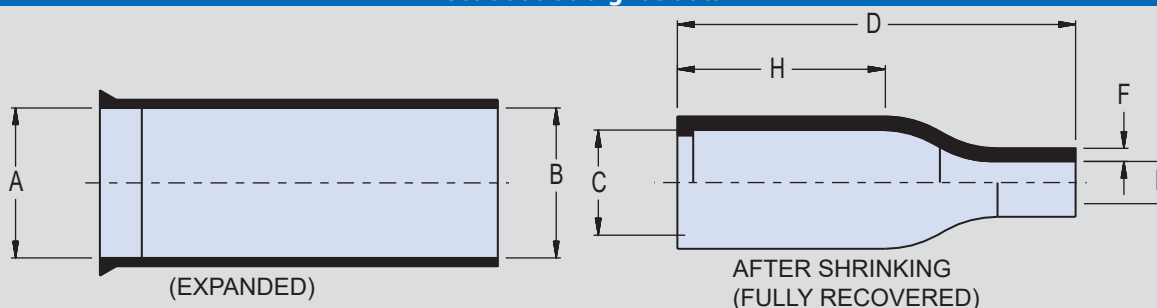
(www.glenair.com/environmental_shrink_boots/index.htm)



Boot Size to Shell Size Reference	
Part Number	Shell Size
809*060-1	7/8
809*060-2	9
809*060-3	10/11
809*060-4	12/14/16
809*060-5	18
809*060-6	20/22/24

How To Order				
SAMPLE PART NUMBER				
		809S060	-3	HR
Product	809A060 = 90° boot 809B060 = 45° boot 809S060 = straight boot 809SL060 = straight boot, extended length			
	Boot Size (See Dimension Tables)	1 2 3 4 5 6 see boot size to shell size reference table.		
Material and Adhesive Code (material and adhesive information follows dimension tables)	Boot Material	No Adhesive	Pre-coated with Adhesive	
	Standard Type 1 Fluid-Resistant Elastomer	U	Hot Melt Polyamide (W1)	High Performance Epoxy (R)
			(Omit)	R
Low Smoke/Zero Halogen Type 2 Elastomer	HU	H	HR	

809S060 Straight Boots



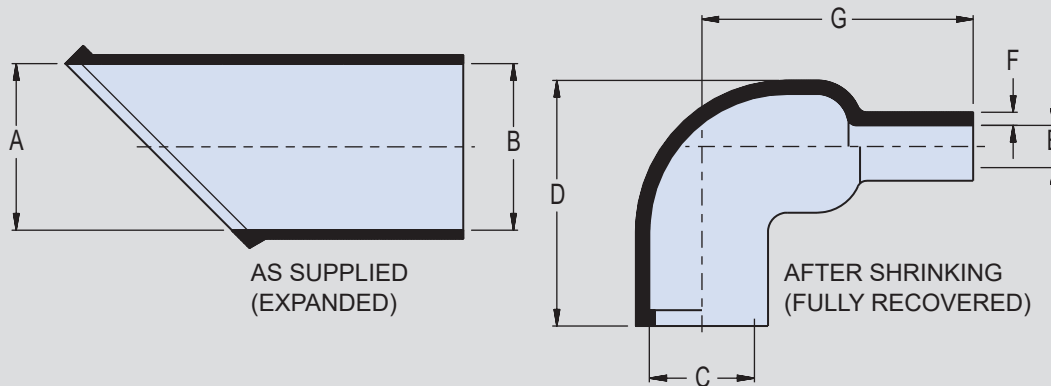
Boot Size	A Min.	B Min.	C Max.	D Ref.	E Max.	F Ref.	H Ref.	Cable Range	
								Maximum	Minimum
1	.390 (9.91)	.390 (9.91)	.260 (6.60)	1.370 (34.80)	.080 (2.03)	.030 (0.76)	.750 (19.05)	.230 (5.84)	.100 (2.54)
2	.669 (16.99)	.669 (16.99)	.300 (7.62)	1.500 (38.10)	.140 (3.56)	.032 (0.81)	.750 (19.05)	.500 (12.70)	.170 (4.32)
3	.945 (24.00)	.945 (24.00)	.390 (9.91)	1.500 (38.10)	.200 (5.08)	.035 (0.89)	.750 (19.05)	.800 (20.32)	.240 (6.10)
4	1.181 (30.00)	1.181 (30.00)	.550 (13.97)	2.170 (55.12)	.240 (6.10)	.039 (0.99)	1.180 (29.97)	1.020 (25.91)	.280 (7.11)
5	1.260 (32.00)	1.260 (32.00)	.710 (18.03)	2.640 (67.06)	.280 (7.11)	.039 (0.99)	1.300 (33.02)	1.120 (28.45)	.300 (7.62)
6	1.417 (35.99)	1.417 (35.99)	.900 (22.86)	3.150 (80.01)	.330 (8.38)	.047 (1.19)	1.570 (39.88)	1.200 (30.48)	.350 (8.89)

Series 806 Mil-Aero Connectors



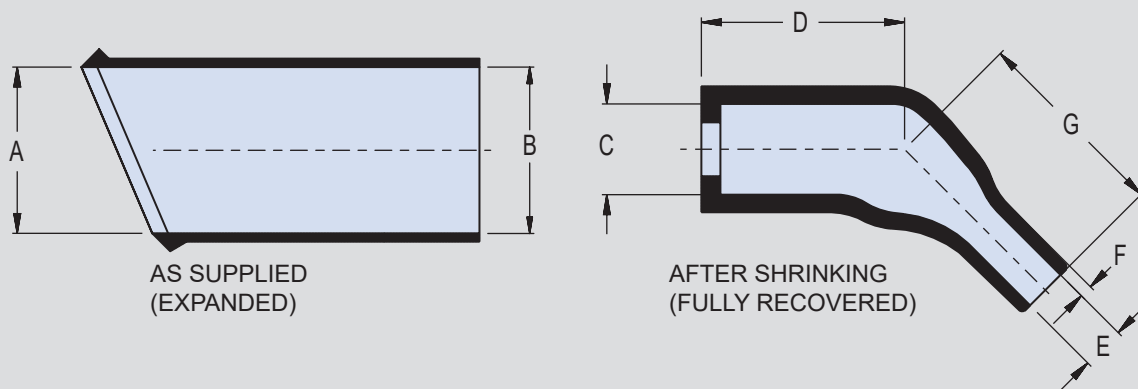
809-060 Thin Lip Environmental Shrink Boots

809A060 90° Boots



Boot Size	A Min.	B Min.	C Max.	D Ref.	E Max.	F Ref.	G Ref.	Cable Range	
								Maximum	Minimum
1	.390 (9.91)	.390 (9.91)	.260 (6.60)	.790 (20.07)	.095 (2.41)	.032 (0.81)	.750 (19.05)	.230 (5.84)	.100 (2.54)
2	.669 (16.99)	.669 (16.99)	.310 (7.87)	.790 (20.07)	.140 (3.56)	.032 (0.81)	.790 (20.07)	.500 (12.70)	.170 (4.32)
3	.945 (24.00)	.945 (24.00)	.390 (9.91)	.980 (24.89)	.200 (5.08)	.040 (1.02)	.980 (24.89)	.800 (20.32)	.240 (6.10)
4	1.181 (30.00)	1.181 (30.00)	.530 (13.46)	1.060 (26.92)	.220 (5.59)	.046 (1.17)	1.260 (32.00)	1.020 (25.91)	.270 (6.86)
5	1.260 (32.00)	1.260 (32.00)	.710 (18.03)	1.260 (32.00)	.280 (7.11)	.052 (1.32)	1.540 (39.12)	1.120 (28.45)	.300 (7.62)
6	1.417 (35.99)	1.417 (35.99)	.900 (22.86)	1.500 (38.10)	.330 (8.38)	.052 (1.32)	1.930 (49.02)	1.200 (30.48)	.350 (8.89)

809B060 45° Boots



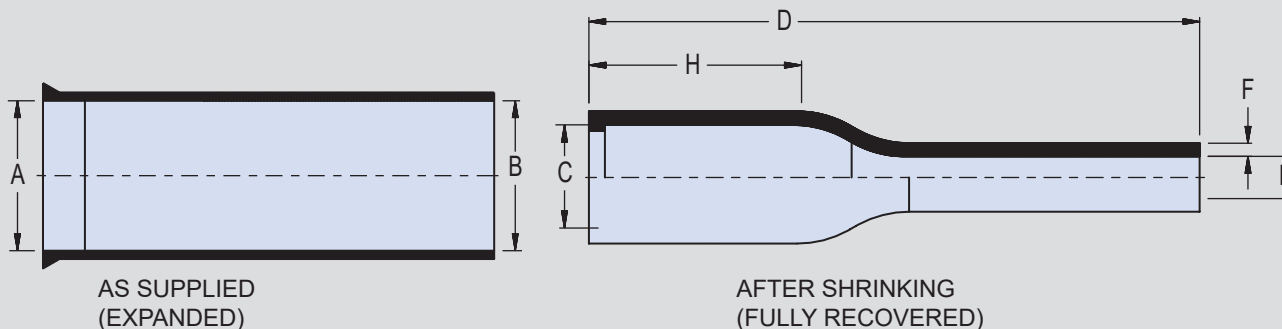
Boot Size	A Min.	B Min.	C Max.	D Ref.	E Max.	F Ref.	G Ref.	Cable Range	
								Maximum	Minimum
1	.390 (9.91)	.390 (9.91)	.260 (6.60)	.600 (15.24)	.080 (2.03)	.030 (0.76)	.560 (14.22)	.230 (5.84)	.100 (2.54)
2	.669 (16.99)	.669 (16.99)	.300 (7.62)	.640 (16.26)	.140 (3.56)	.035 (0.89)	.620 (15.75)	.500 (12.70)	.170 (4.32)
3	.945 (24.00)	.945 (24.00)	.390 (9.91)	.500 (12.70)	.160 (4.06)	.040 (1.02)	.750 (19.05)	.800 (20.32)	.240 (6.10)
4	1.181 (30.00)	1.181 (30.00)	.550 (13.97)	.748 (19.00)	.230 (5.84)	.043 (1.09)	1.180 (29.97)	1.020 (25.91)	.280 (7.11)
5	1.260 (32.00)	1.260 (32.00)	.710 (18.03)	.984 (24.99)	.280 (7.11)	.065 (1.65)	1.380 (35.05)	1.120 (28.45)	.300 (7.62)
6	1.417 (35.99)	1.417 (35.99)	.900 (22.86)	1.260 (32.00)	.330 (8.38)	.065 (1.65)	1.570 (39.88)	1.200 (30.48)	.350 (8.89)

Series 806 Mil-Aero Connectors

809-060 Thin Lip Environmental Shrink Boots



809SL060 Straight Long Tail Boots



Boot Size	A Min.	B Min.	C Max.	D Ref	E Max.	F Ref.	H Ref.	Cable Range	
								Maximum	Minimum
1	.390 (9.91)	.390 (9.91)	.280 (7.11)	2.500 (63.50)	.080 (2.03)	.045 (1.14)	.750 (19.05)	.230 (5.84)	.100 (2.54)
2	.669 (16.99)	.669 (16.99)	.310 (7.87)	2.500 (63.50)	.140 (3.56)	.045 (1.14)	.750 (19.05)	.500 (12.70)	.170 (4.32)
3	.945 (24.00)	.945 (24.00)	.390 (9.91)	2.500 (63.50)	.200 (5.08)	.045 (1.14)	.750 (19.05)	.800 (20.32)	.240 (6.10)
4	1.181 (30.00)	1.181 (30.00)	.550 (13.97)	3.000 (76.20)	.240 (6.10)	.045 (1.14)	1.180 (29.97)	1.020 (25.91)	.280 (7.11)

Boot Material Information

Type 1 High Performance Elastomer

Semi-rigid high performance boots combine excellent resistance to fuels, oils and solvents with superior performance at extreme temperatures. Material meets the requirements of VG95343 Type 6, BSG 198-5-DE, EN62329-102 and SAE AS5258 Type H. These boots are ideal for demanding applications such as military vehicles and petrochemical exploration.

Type 2 Zero halogen

Halogen-free polyolefin boots meet low smoke and toxicity requirements of shipboard, transit and aircraft systems. These Low Smoke/Zero Halogen (LSZH) boots meet the requirements of NAVSEA 5617649, VG95343 Part 29, BSG 198-5-DF, EN62329-101 and SAE AS5258 Type G. Resistance to oils, fuels and solvents.

Shrink Boot Typical Material Properties

Property	Type 1 High Performance Elastomer	Type 2 Zero Halogen Polyolefin
Flexibility	Semi-rigid	Semi-flexible
Operating Temperature Range	-75°C to +165°C	-40°C to +130°C
Shrink Temperature (min.)	135°C	135°C
Tensile Strength (psi)	1700	1100
Elongation (% min.)	400	250
Long Term Heat Aging	3000 hrs, 150°C	3000 hrs, 135°C
Heat Shock	4 hrs, 215°C	4 hrs, 215°C
Heat Aging	168 hrs, 160°C	168 hrs, 160°C
Dielectric Strength (V/mil)	300	380
Volume Resistivity (ohms-cm)	10 ¹³	10 ¹²
Water Absorption (%)	0.5	0.5
Flammability	Burn Time <15 sec	Burn Length <25mm
RoHS Compliant	Yes	Yes
Oxygen Index (% min.)	N/A	30
Temperature Index (0C)	N/A	250
Smoke Index (max.)	N/A	20
Toxicity Index (max.)	N/A	3
Lubricating Oil Resistance	Very Good	Good
Hydraulic Fluid Resistance	Very Good	Good
Aviation Fuel Resistance	Very Good	Good
Gasoline Resistance	Very Good	Fair
De-icing Fluid Resistance	Excellent	Very Good
Automotive Diesel Resistance	Good	Fair

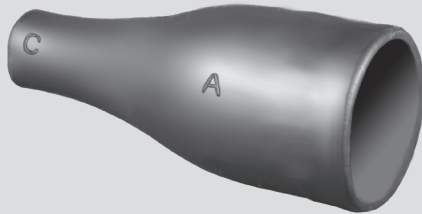
Pre-Coat Adhesive Properties

Attribute	W1 Standard Poly- amide Hot Melt Adhesive	R High Performance Epoxy Pre-coat
Continuous Operating Temp.	-55° to +125°C	-75° to +150°C
Resistance to Fuels, Oils & Fluids	Good	
Low Toxicity, Zero Halogen	Yes	
IEC 62329-2 Dynamic Shear, 23°C	300N	300N
IEC 62329-2 Dynamic Shear, 100°C	30N	110N
IEC 62329-2 Dynamic Shear, 150°C	(not rated)	30N
IEC 62329-2 Heat Shock, 4 hrs., 215°C	Peel adhesion > 60N/25mm Dynamic shear > 300N	
IEC 62329-2 Heat Aging, 168 hrs., 160°C	Peel adhesion > 60N/25mm Dynamic shear > 300N	
IEC 62329-2 Peel Adhesion	>60N/25mm	
IEC 62329-2 Fluid Resistance		
Lubricating Oil 0-156	24 hrs. immersion @ 70°C Dynamic shear > 150N	
Aircraft Grease G-354		
Hydraulic Fluid H-520		
Water		
Turbine Fuel F-34		

ENVIRONMENTAL, MICRO MINIATURE CIRCULAR Series 806 Mil-Aero Connectors



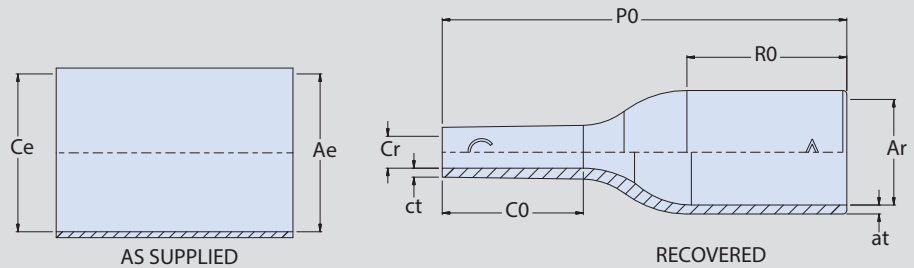
El Ochito® Heat Shrink Boots and Sealing Boots



Specifications

- 770-074 non-lipped, zero halogen heat shrink boot without eyelet. Shrink boot is adhesive lined for use with Type 2 El Ochito contacts. Provides environmental sealing and strain relief support. Pre-coated with W1 zero halogen/hot melt adhesive rated for use up to 125°C. Is be used in place of a grommet follower for the type 2.

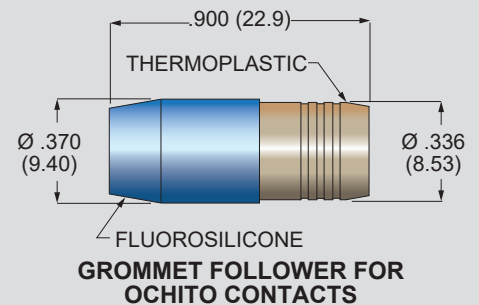
How To Order						
SAMPLE PART NUMBER		770-074	S	1	01	W1
Product	770-074 = Non-Lipped Boot Without Eyelet					
Angular Function	S = Straight					
Material	Glenair high performance elastomer					
Boot Size	See Shrink Boot Dimensions table					
Adesive	W1 = 125° C Zero Halogen/Hot Melt					



770-074 Shrink Boot Dimensions									
Boot Size	Ae Dia Min	Ce Dia Min	Ar Dia Max	at ±30%	Cr Dia Max	ct ±20%	C0 Ref	PO ±10%	RO Ref
-01	.354 (8.99)	.354 (8.99)	.265 (6.73)	.023 (0.58)	.080 (2.03)	.023 (0.58)	.354 (8.99)	1.015 (25.78)	.401 (10.19)

Grommet Follower

- An "F" suffix in the contact part number indicates the contact is supplied with a grommet follower. To order these contacts without grommet follower, delete the "F" suffix from the part number. Grommet followers are not available for Type II Ochito contacts.



GROMMET FOLLOWER FOR OCHITO CONTACTS
687-754-8-4
 FOR .177 (4.5) DIAMETER CABLES
687-754-8-8
 FOR .220 (5.56) DIAMETER CABLES
687-754-8-9
 FOR .236 (6.0) DIAMETER CABLES

Series 806 Mil-Aero Connectors



600-280 El Ochito® contact termination/installation kit



600-280 tool kit combines all the tools necessary to terminate El Ochito red, blue, and white contacts. Great for customers looking to terminate el Ochito® contacts to cables. Unit includes portable protective case with cutout foam for ease of transportation. Order by kit level for simplified ordering. Customize tool kit contents to meet your specific requirements. Additional foam cutout cavities allow for easy to upgrade your kit as you increase your el Ochito tool collection.

Part Number Development			
Sample Part Number	600-280	-06	
Product	600-280 = El Ochito Installation Tool Kit		
Kit Number	-03 = Basic Assembly -06 = Basic Assembly + Crimp Dies, and Positioners -09 = Basic Assembly+ Crimp Dies, Positioners and Crimp Tools		
Modifier	Omit = None H = Hex Crimp Only (See Table I)		

Kit 03: Basic Kit	
-03	
Tool Description	P/N
Socket Ochito Alignment Tool	600-235
Pin El Ochito Alignment Tool	600-274
Ferrule Inserter	600-242

Kit -06: Basic Kit + Crimp Dies & Positioners	
-06	
Tool Description	P/N
Socket El Ochito Alignment Tool	600-235
Pin El Ochito Alignment Tool	600-274
Ferrule Inserter	600-242
Contact Positioner (K1906)	859-101
Body Hex Crimp Die (M22520/5-45)	859-007
859-134 (GS206) Positioner 1	859-184-1
859-134 (GS206) Positioner 2	859-184-2
859-134 (GS206) Positioner 3	859-184-3
Removal Tool (M81969/14-12)	859-049

Kit -09: Basic Kit + Crimp Dies & Positioners, and Crimp Tools	
-09	
Tool Description	P/N
Socket El Ochito Alignment Tool	600-235
Pin El Ochito Alignment Tool	600-274
Ferrule Inserter	600-242
Contact Positioner (K1906)	859-101
Body Hex Crimp Die (M22520/5-45)	859-007
859-134 (GS206) Positioner 1	859-184-1
859-134 (GS206) Positioner 2	859-184-2
859-134 (GS206) Positioner 3	859-184-3
Removal Tool (M81969/14-12)	859-049
Contact Crimper (M22520/2-01)	809-015
Hex Body Crimper (M22520/5-01)	809-129
Circle Body Crimper (GS206)	859-134

Table I: Items Removed By Modifier "H"	
Tool Description	P/N
859-134 (GS206) Positioner 1	859-184-1
859-134 (GS206) Positioner 2	859-184-2
859-134 (GS206) Positioner 3	859-184-3
Circle Body Crimper (GS206)	859-134

Notes
Modifier "H" Removes all tools and dies associated with the circle body crimp. See Table II. Not applicable to "-01".

Series 806 Mil-Aero Connectors



600-280 El Ochito® contact termination/installation kit

Assembly Tools										
Contact PN	Inner Contact Crimp		Cable Shield Hex Crimp		Cable Shield Round Crimp			Key Alignment Tool	Rear Ferrule Insertion Tool	Mating Tool
	Tool	Positioner	Tool	Hex Die	Tool	Positioner 1	Positioner 2			
858-045	809-015	809-101	809-129	859-007				600-274	600-274	600-267
858-046	809-015	809-101	809-129	859-007				600-235	600-274	600-264
858-047-01	809-015	809-101	809-129	859-007				600-274	600-274	600-267
858-047-02	809-015	809-101			809-134	859-184-2	859-184-3	600-274	600-274	600-267
858-048-01	809-015	809-101	809-129	859-007				600-235	600-274	600-264
858-048-02	809-015	809-101			809-134	859-184-2	859-184-3	600-235	600-274	600-264
858-049	809-015	809-101	809-129	859-007				600-274	600-274	600-267
858-050	809-015	809-101	809-129	859-007				600-235	600-274	600-267
858-051	809-015	809-101						600-274	600-274	600-264
858-052	809-015	809-101						600-235	600-274	600-267
858-067	809-015	809-101						600-274	600-274	600-264
858-068	809-015	809-101						600-235	600-274	600-267
858-073	809-015	809-101						600-274	600-274	600-264
858-074	809-015	809-101						600-235	600-274	600-267

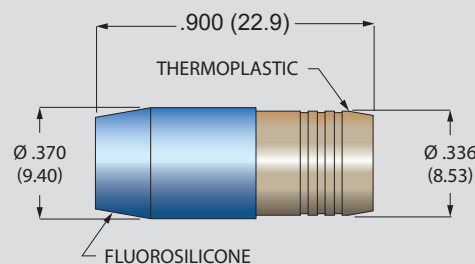
Inner Contact Crimp Tools	Cable Shield Crimp Tools				Removal Tool	
	Hex Crimp		Round Crimp			
809-015 (M22520/2-01)	859-101 (K1906)	809-129 (M22520/5-01)	859-007 (M22520/5-45)	859-134 (GS206)	859-184 (M22520/31-02)	859-049 (M81969/14-12)

Key Alignment Tools		Rear Ferrule Insertion Tool
600-235 600-243 Socket contact	600-236 600-244 Pin contact	600-242

Contact factory for available alignment inspection tools for use with existing assemblies.

Sealing Boot

An "F" suffix in the contact part number indicates the contact is supplied with a sealing boot. To order these contacts without sealing boots, delete the "F" suffix from the part number. Sealing boots are not supplied with 858-005, 858-006, 858-009, 858-010, 858-035, 858-037, 858-038 and 858-039 contacts.



SEALING BOOT FOR OCHITO CONTACTS

687-754-8-8

FOR .220 (5.56) DIAMETER CABLES

687-754-8-9

FOR .236 (6.0) DIAMETER CABLES

MICRO MINIATURE CIRCULAR
Series 806
Mil-Aero Connectors
Torque Values



Series 806 Recommended Torque Values (in-lbs)

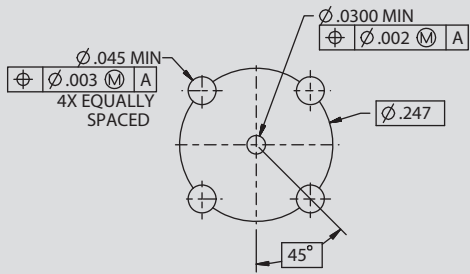
Shell Size	Coupling				Jam Nut				Backshell					
	Standard		High Vibration		Hex Nut		Spanner Nut		Standard		Composite		High Vibration	
	Min	Max	Min	Max	Min	Max	Min	Max	Min	Max	Min	Max	Min	Max
7	7	11	12	16	26	30	20	25	25	35	17	22	35	45
8	7	11	12	16	26	30	20	25	25	35	20	25	42	52
9	7	11	12	16	32	36	20	25	30	40	20	30	51	61
10	10	14	20	24	38	42	25	30	30	40	20	30	63	73
11	10	14	20	24	43	48	25	30	30	40	20	30	71	81
12	10	14	20	24	49	54	25	30	30	40	25	35	79	89
14	10	14	28	32	60	66	25	30	35	45	25	35	105	115
16	12	16	36	40	72	78	25	30	35	45	25	35	111	121
18	14	18	44	48	83	90	25	30	35	45	30	40	111	121
20	17	21	52	56	94	102	25	30	35	45	30	40	111	121
22	35	39	60	64	106	114	25	30	75	85	35	45	131	141
24	40	44	68	72	117	126	25	30	75	85	35	45	131	141

MICRO MINIATURE CIRCULAR Series 806 Mil-Aero Connectors

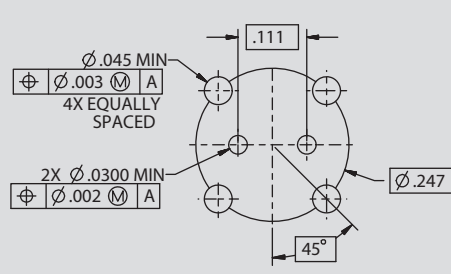


PC Board Footprint for all Size 8, 12, and 16 RF & High-Speed Contacts

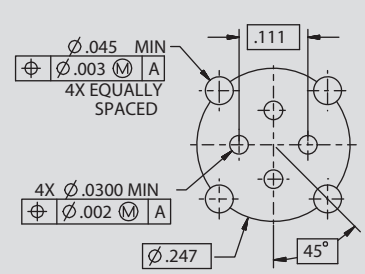
Recommended PCB Layouts are shown for the connector mounting side of PC board. Contact identification numbers are for pin connectors. Socket identification numbers are reversed.



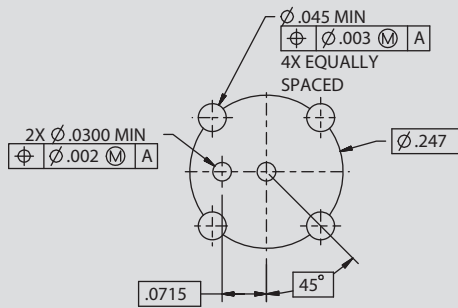
#8 COAX



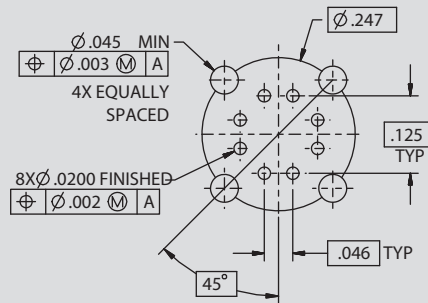
#8 DIFFERENTIAL TWINAX



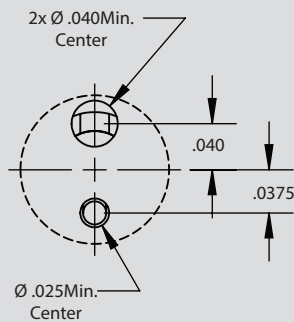
#8 QUADRAX



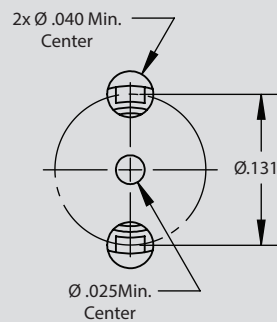
#8 TRIAX / CONCENTRIC TWINAX



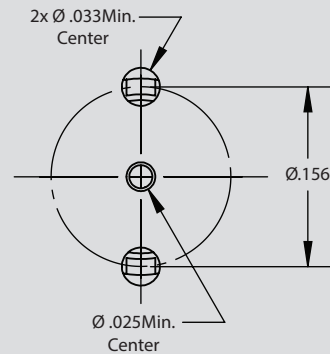
#8 EL OCHITO



50 / 75 OHM
#16 / COAX



50 OHM
#12 / COAX



75 OHM
#12 / COAX

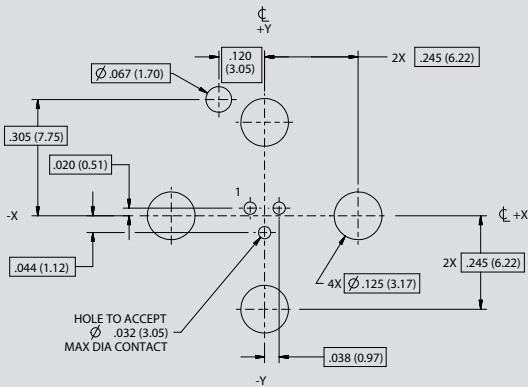
PIN INTERFACE SHOWN
SOCKET INTERFACE OPPOSITE

MICRO MINIATURE CIRCULAR
Series 806
Mil-Aero Connectors
Size 22HD PC Board Layouts

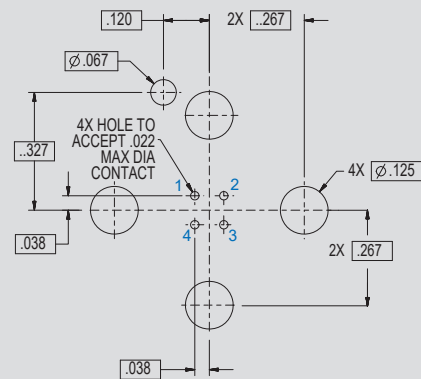


Recommended PCB Layouts are shown for the connector mounting side of PC board. Contact identification numbers are for pin connectors. Socket identification numbers are reversed.

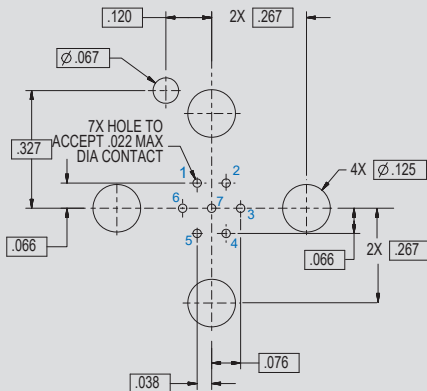
Arrangement No. 7-3
 3x #22HD Contacts



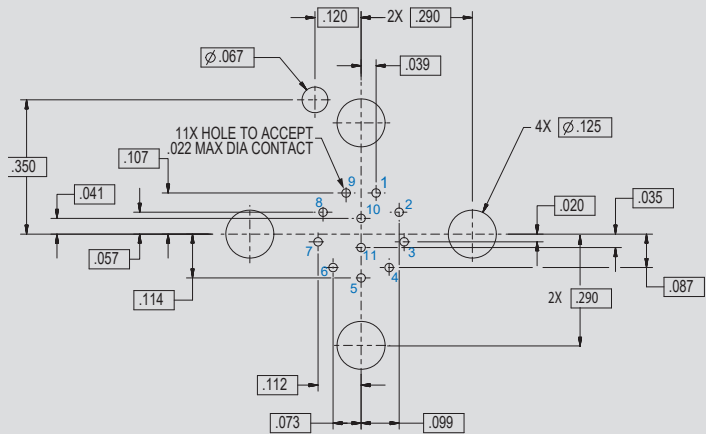
Arrangement No. 8-4
 4x #22HD Contacts



Arrangement No. 8-7
 7x #22HD Contacts



Arrangement No. 9-11
 11x #22HD Contacts

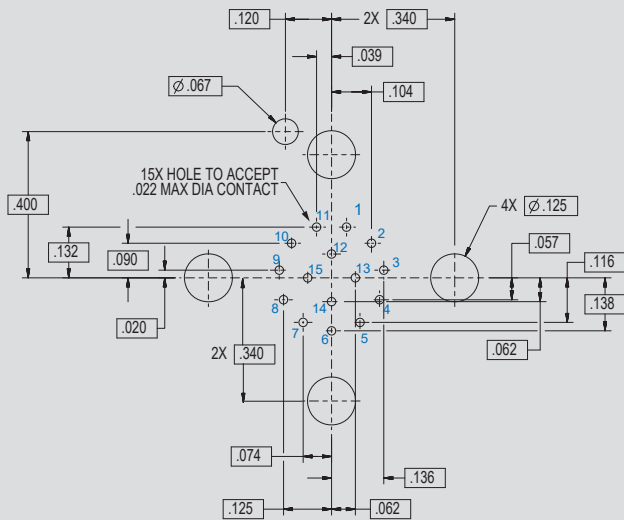


MICRO MINIATURE CIRCULAR
Series 806
Mil-Aero Connectors
 Size 22HD PCB footprints

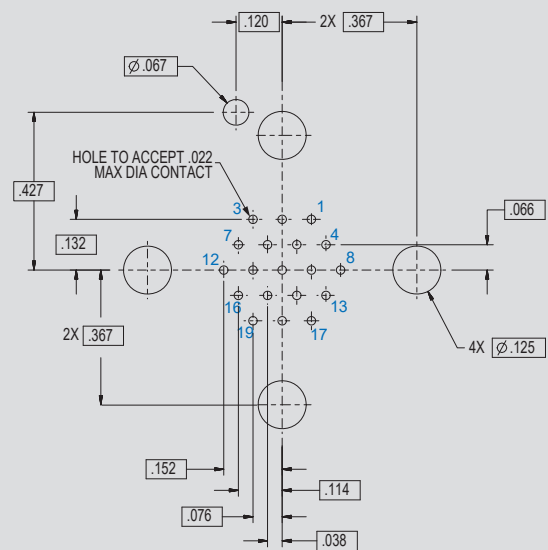


Recommended PCB Layouts are shown for the connector mounting side of PC board. Contact identification numbers are for pin connectors. Socket identification numbers are reversed.

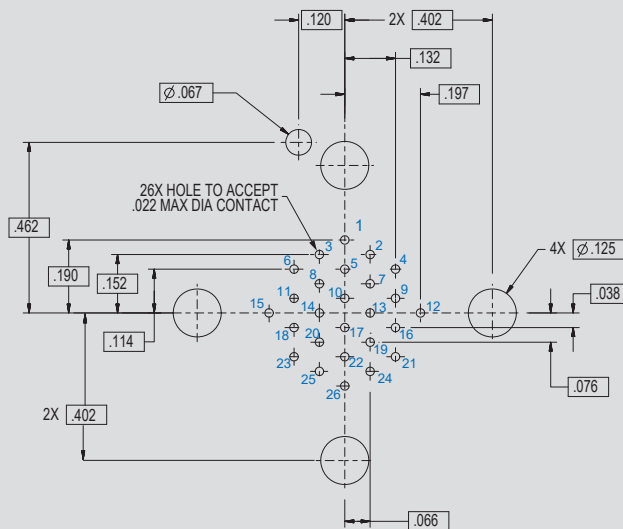
Arrangement No. 10-15
 15x #22HD Contacts



Arrangement No. 11-19
 19x #22HD Contacts



Arrangement No. 12-26
 26x #22HD Contacts



APPENDIX

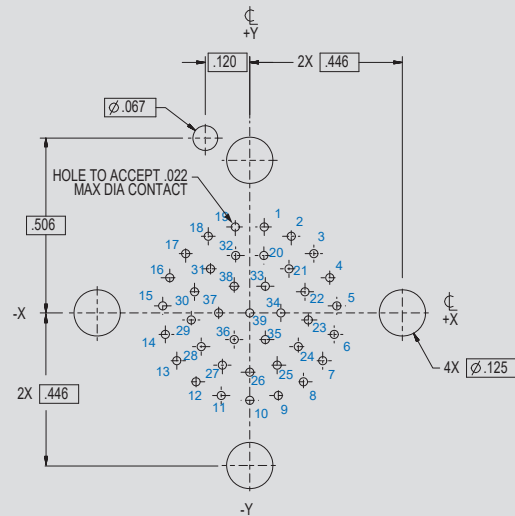
MICRO MINIATURE CIRCULAR
Series 806
Mil-Aero Connectors
 Size 22HD PCB footprints



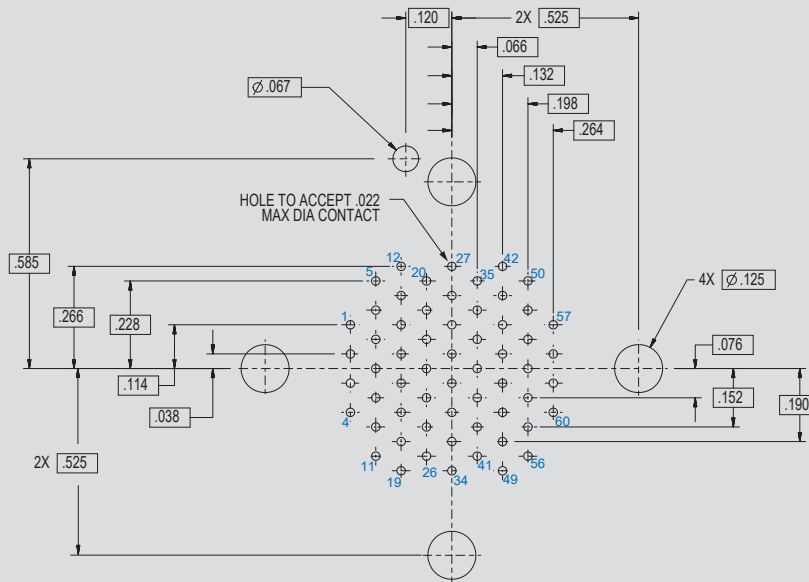
Recommended PCB Layouts are shown for the connector mounting side of PC board. Contact identification numbers are for pin connectors. Socket identification numbers are reversed.

Arrangement No. 14-39
 39x #22HD Contacts

Contact Position ID	Location		Contact Position ID	Location	
	X Axis	Y Axis		X Axis	Y Axis
1	.039	.232	21	.106	.119
2	.112	.207	22	.149	.057
3	.173	.160	23	.158	-.019
4	.216	.095	24	.131	-.091
5	.235	.019	25	.074	-.141
6	.228	-.058	26	.000	-.160
7	.197	-.129	27	-.074	-.141
8	.145	-.186	28	-.131	-.091
9	.077	-.223	29	-.158	-.019
10	.000	-.236	30	-.149	.057
11	-.077	-.223	31	-.106	.119
12	-.145	-.186	32	-.038	.155
13	-.197	-.129	33	.042	.072
14	-.228	-.058	34	.084	.000
15	-.235	.019	35	.042	-.072
16	-.216	.095	36	-.042	-.072
17	-.173	.160	37	-.084	.000
18	-.112	.207	38	-.042	.072
19	-.039	.232	39	.000	.000
20	.038	.155			



Arrangement No. 16-60
 60x #22HD Contacts

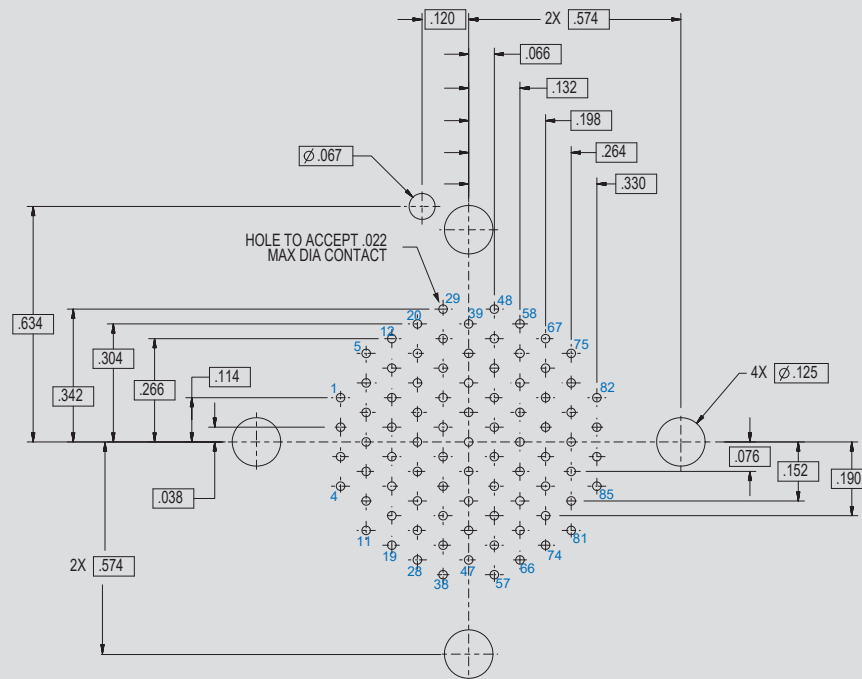


MICRO MINIATURE CIRCULAR
Series 806
Mil-Aero Connectors
 Size 22HD PCB footprints



Recommended PCB Layouts are shown for the connector mounting side of PC board. Contact identification numbers are for pin connectors. Socket identification numbers are reversed.

Arrangement No. 18-85
 85x #22HD Contacts

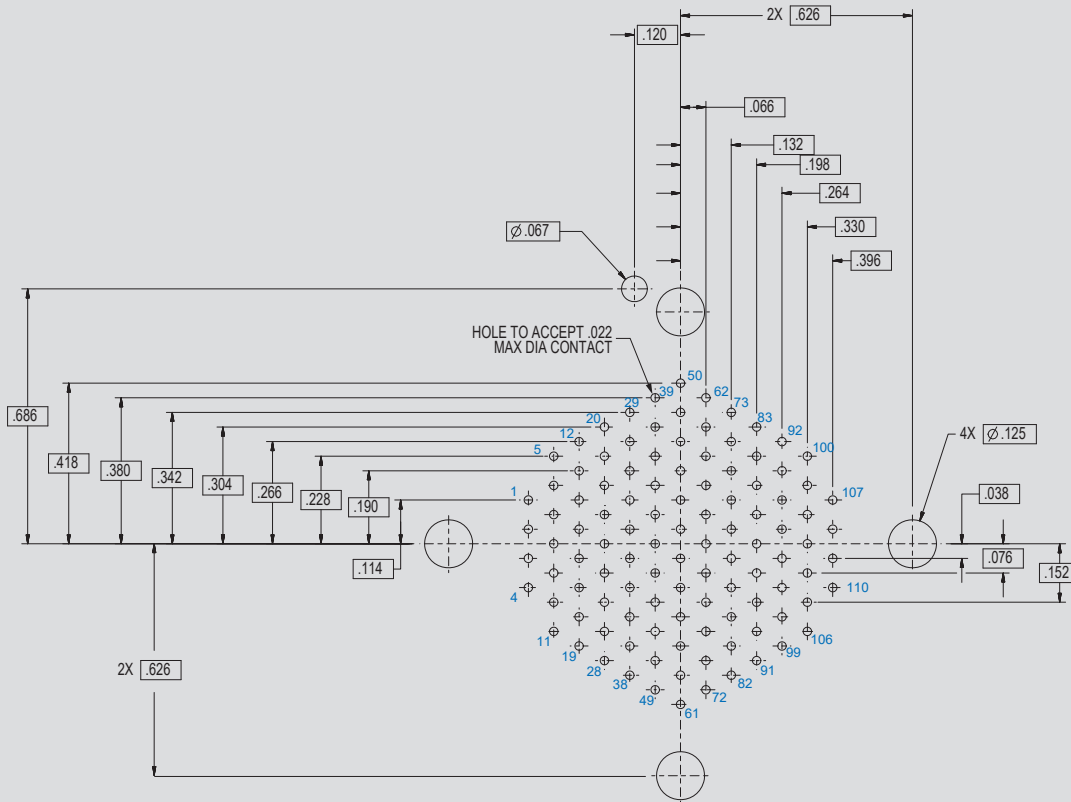


MICRO MINIATURE CIRCULAR
Series 806
Mil-Aero Connectors
 Size 22HD PCB footprints



Recommended PCB Layouts are shown for the connector mounting side of PC board. Contact identification numbers are for pin connectors. Socket identification numbers are reversed.

Arrangement No. 20-110
 110x #22HD Contacts

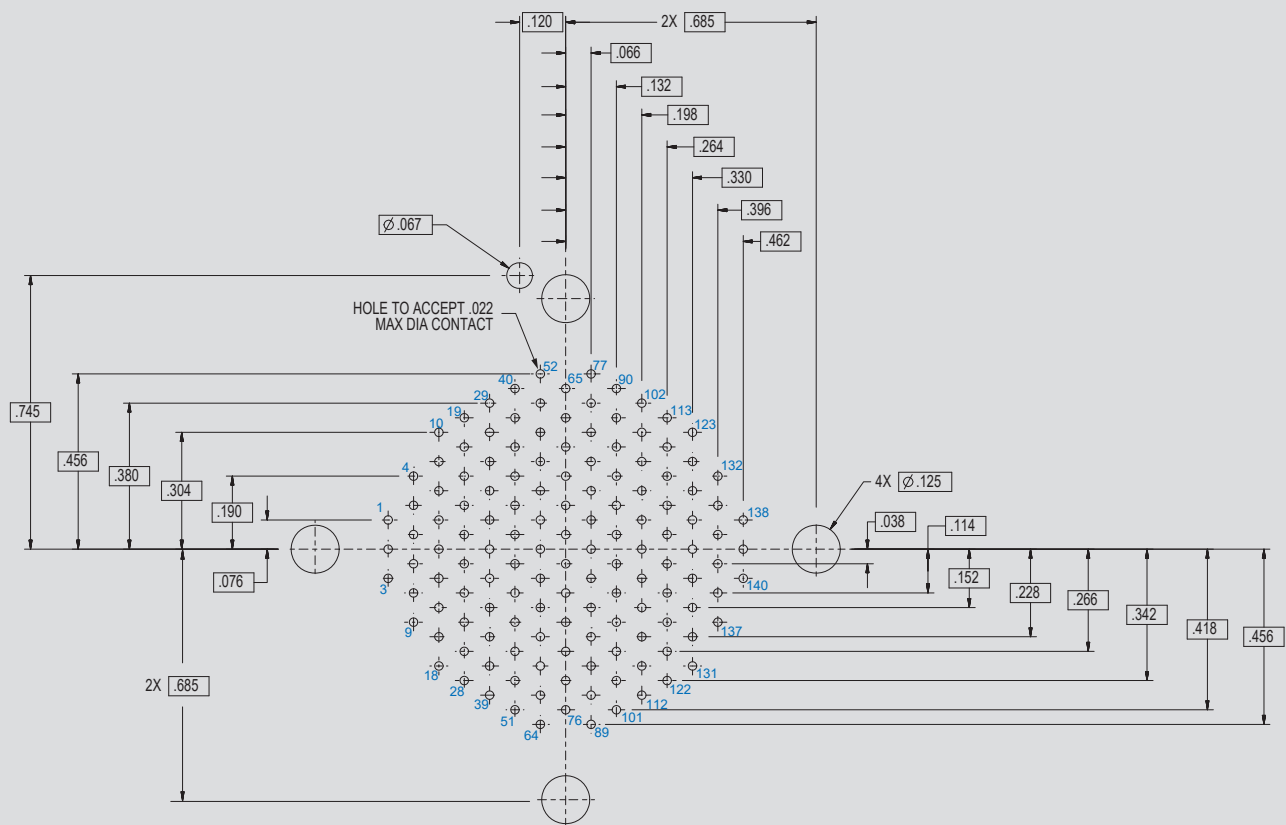


MICRO MINIATURE CIRCULAR
Series 806
Mil-Aero Connectors
 Size 22HD PCB footprints



Recommended PCB Layouts are shown for the connector mounting side of PC board. Contact identification numbers are for pin connectors. Socket identification numbers are reversed.

Arrangement No. 22-140
 140x #22HD Contacts

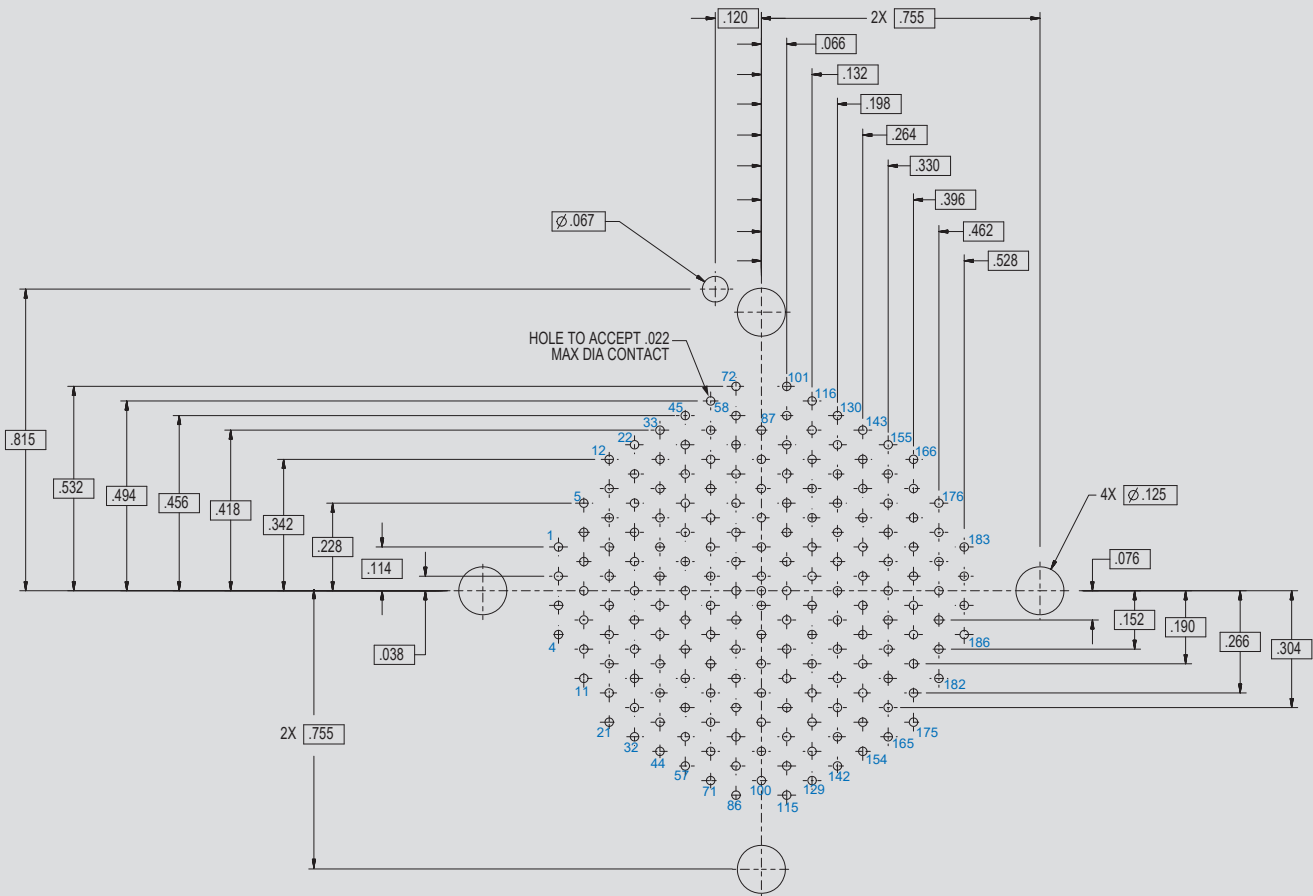


MICRO MINIATURE CIRCULAR
Series 806
Mil-Aero Connectors
 Size 22HD PCB footprints



Recommended PCB Layouts are shown for the connector mounting side of PC board. Contact identification numbers are for pin connectors. Socket identification numbers are reversed.

Arrangement No. 24-186
 186x #22HD Contacts

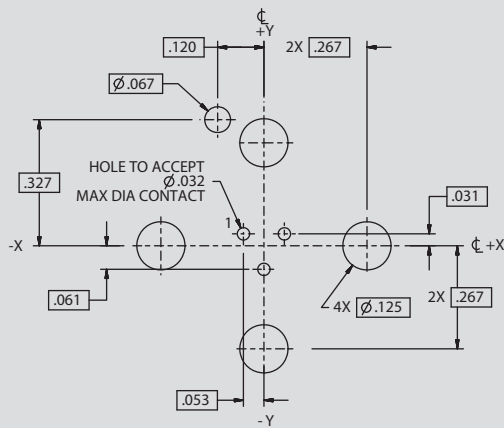


MICRO MINIATURE CIRCULAR
Series 806
Mil-Aero Connectors
 Size 20HD PCB footprints

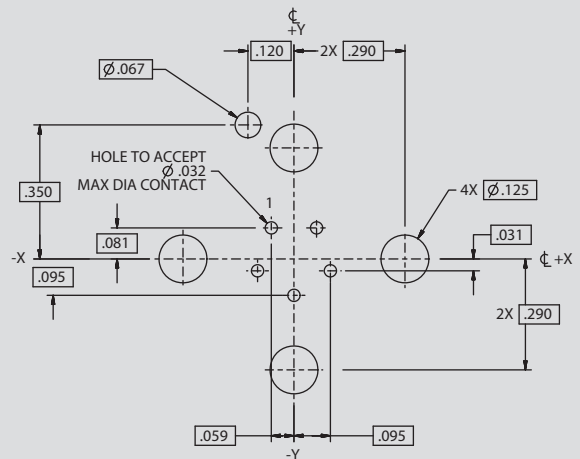


Recommended PCB Layouts are shown for the connector mounting side of PC board. Contact identification numbers are for pin connectors. Socket identification numbers are reversed.

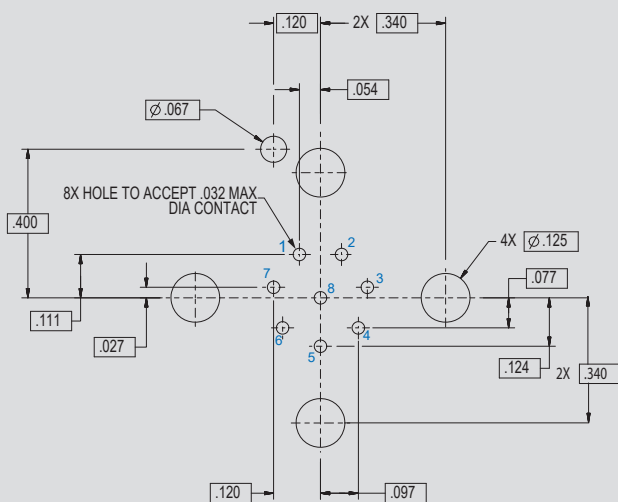
Arrangement No. 8-3
 3x #20HD Contacts



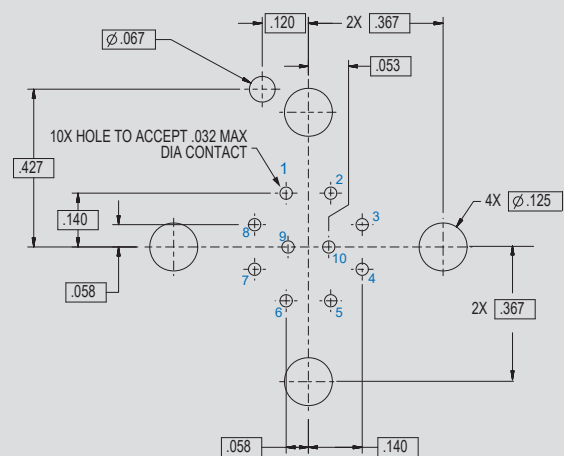
Arrangement No. 9-5
 5x #20HD Contacts



Arrangement No. 10-8
 8x #20HD Contacts



Arrangement No. 11-10
 10x #20HD Contacts

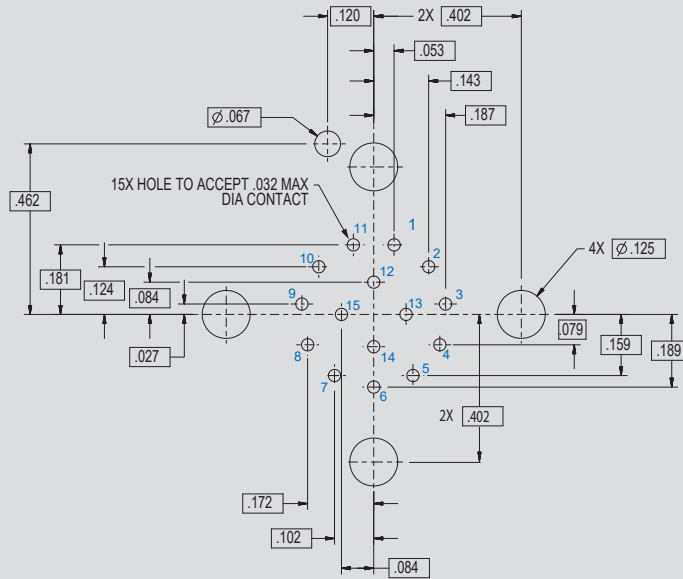


MICRO MINIATURE CIRCULAR
Series 806
Mil-Aero Connectors
Size 20HD PCB footprints

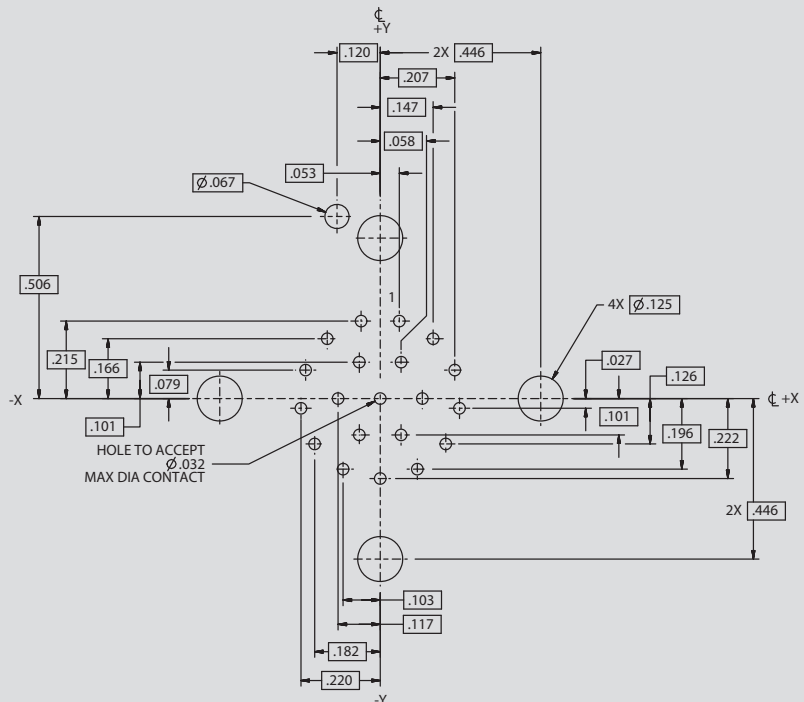


Recommended PCB Layouts are shown for the connector mounting side of PC board. Contact identification numbers are for pin connectors. Socket identification numbers are reversed.

Arrangement No. 12-15
 15x #20HD Contacts



Arrangement No. 14-20
 4x #20HD Contacts



MICRO MINIATURE CIRCULAR

Series 806

Mil-Aero Connectors

Size 20HD PCB footprints

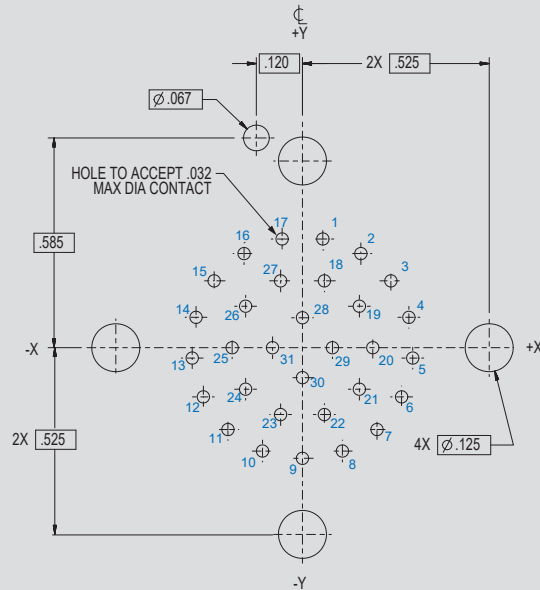


Recommended PCB Layouts are shown for the connector mounting side of PC board. Contact identification numbers are for pin connectors. Socket identification numbers are reversed.

Arrangement No. 16-31

31 #20HD Contacts

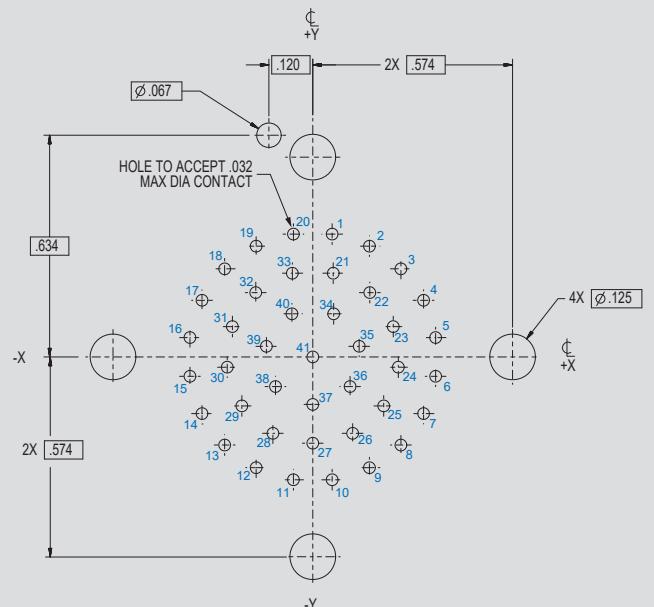
Contact Position ID	Location		Contact Position ID	Location	
	X Axis	Y Axis		X Axis	Y Axis
1	.053	.283	17	-.053	.283
2	.152	.245	18	-.057	.174
3	.230	.174	19	.148	.108
4	.277	.079	20	.183	.000
5	.287	-.027	21	.148	-.108
6	.258	-.128	22	.057	-.174
7	.194	-.213	23	-.057	-.174
8	.104	-.269	24	-.148	-.108
9	.000	-.288	25	-.183	.000
10	-.104	-.269	26	-.148	.108
11	-.194	-.213	27	-.057	.174
12	-.258	-.128	28	.000	.078
13	-.287	-.027	29	.078	.000
14	-.277	.079	30	.000	-.078
15	-.230	.174	31	-.078	.000
16	-.152	.245			



Arrangement No. 18-41

41 #20HD Contacts

Contact Position ID	Location		Contact Position ID	Location	
	X Axis	Y Axis		X Axis	Y Axis
1	.053	.336	22	.156	.176
2	.155	.303	23	.220	.083
3	.241	.241	24	.234	-.028
4	.303	.155	25	.194	-.134
5	.336	.053	26	.109	-.209
6	.336	-.053	27	.000	-.236
7	-.303	.155	28	-.109	-.209
8	-.241	.241	29	-.194	-.134
9	-.155	.303	30	-.234	-.028
10	.053	-.336	31	-.220	.083
11	-.053	-.336	32	-.156	.176
12	-.155	-.303	33	-.056	.229
13	-.241	-.241	34	.057	.118
14	-.303	-.155	35	.127	.029
15	-.336	-.053	36	.102	-.081
16	-.336	.053	37	.000	-.130
17	-.303	.155	38	-.102	-.081
18	-.241	.241	39	-.127	.029
19	-.155	.303	40	-.057	.118
20	-.053	.336	41	.000	.000
21	.056	.229			

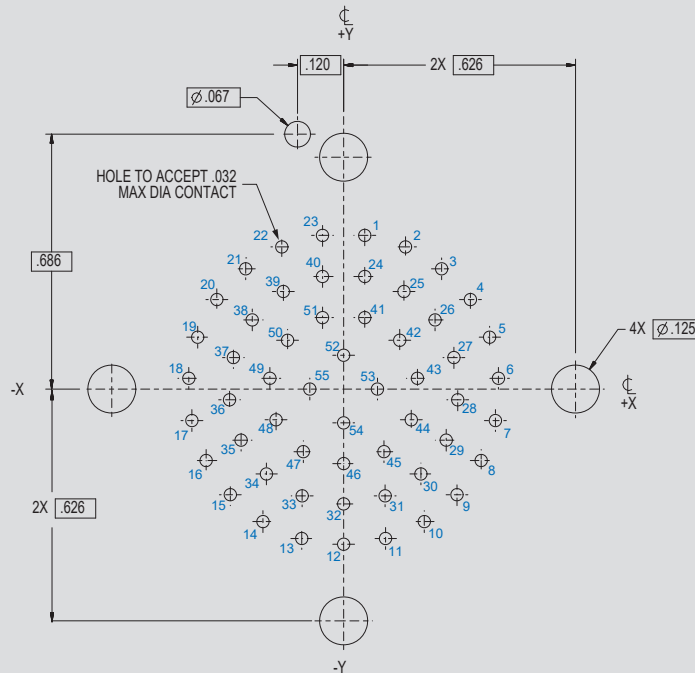


MICRO MINIATURE CIRCULAR
Series 806
Mil-Aero Connectors
 Size 20HD PCB footprints



Recommended PCB Layouts are shown for the connector mounting side of PC board. Contact identification numbers are for pin connectors. Socket identification numbers are reversed.

Arrangement No. 20-55
 55 #20HD Contacts



Contact Pos. ID	Location		Contact Pos. ID	Location		Contact Pos. ID	Location	
	X Axis	Y Axis		X Axis	Y Axis		X Axis	Y Axis
1	.055	.400	20	-.330	.233	39	-.157	.254
2	.161	.370	21	-.255	.313	40	-.055	.293
3	.255	.313	22	-.161	.370	41	.055	.186
4	.330	.233	23	-.055	.400	42	.146	.127
5	.380	.135	24	.055	.293	43	.192	.028
6	.403	.028	25	.157	.254	44	.176	-.080
7	.395	-.082	26	.238	.180	45	.105	-.163
8	.358	-.186	27	.287	.082	46	.000	-.194
9	.295	-.275	28	.297	-.028	47	-.105	-.163
10	.210	-.345	29	.267	-.133	48	-.176	-.080
11	.109	-.389	30	.201	-.221	49	-.192	.028
12	.000	-.404	31	.108	-.278	50	-.146	.127
13	-.109	-.389	32	.000	-.299	51	-.055	.186
14	-.210	-.345	33	-.108	-.278	52	.000	.088
15	-.295	-.275	34	-.201	-.221	53	.088	.000
16	-.358	-.186	35	-.267	-.133	54	.000	-.088
17	-.395	-.082	36	-.297	-.028	55	-.088	.000
18	-.403	.028	37	-.287	.082			
19	-.380	.135	38	-.238	.180			

MICRO MINIATURE CIRCULAR

Series 806

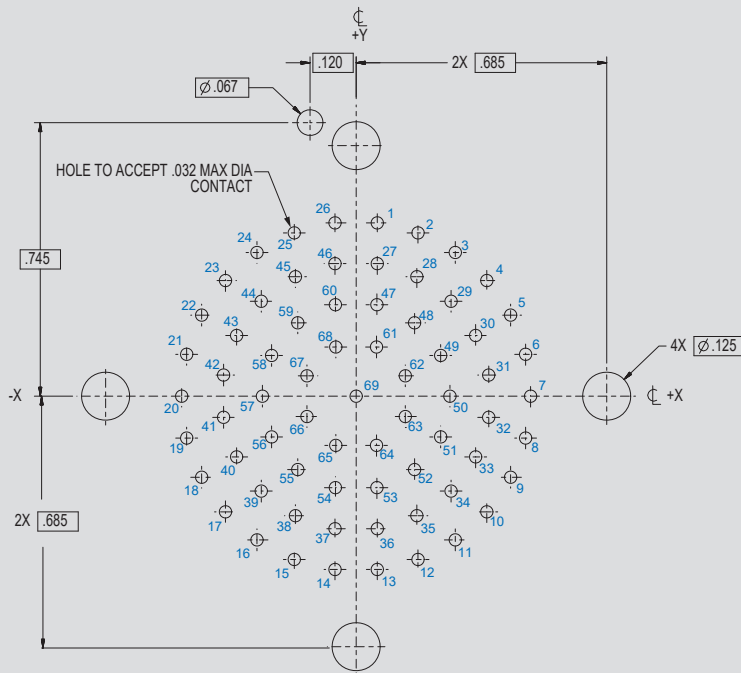
Mil-Aero Connectors

Size 20HD PCB footprints



Recommended PCB Layouts are shown for the connector mounting side of PC board. Contact identification numbers are for pin connectors. Socket identification numbers are reversed.

Arrangement No. 22-69
69 #20HD Contacts



Contact ID	Location		Contact Position ID	Location		Contact Position ID	Location		Contact Position ID	Location	
	X Axis	Y Axis		X Axis	Y Axis		X Axis	Y Axis		X Axis	Y Axis
1	.055	.451	19	-.441	-.109	37	-.055	-.345	55	-.152	-.191
2	.161	.425	20	-.454	.000	38	-.158	-.311	56	-.220	-.106
3	.258	.374	21	-.441	.109	39	-.247	-.247	57	-.244	.000
4	.340	.301	22	-.402	.211	40	-.311	-.158	58	-.220	.106
5	.402	.211	23	-.340	.301	41	-.345	-.055	59	-.152	.191
6	.441	.109	24	-.258	.374	42	-.345	.055	60	-.054	.238
7	.454	.000	25	-.161	.425	43	-.311	.158	61	.053	.128
8	.441	-.109	26	-.055	.451	44	-.247	.247	62	.128	.053
9	.402	-.211	27	.055	.345	45	-.158	.311	63	.128	-.053
10	.340	-.301	28	.158	.311	46	-.055	.345	64	.053	-.128
11	.258	-.374	29	.247	.247	47	.054	.238	65	-.053	-.128
12	.161	-.425	30	.311	.158	48	.152	.191	66	-.128	-.053
13	.055	-.451	31	.345	.055	49	.220	.106	67	-.128	.053
14	-.055	-.451	32	.345	-.055	50	.244	.000	68	-.053	.128
15	-.161	-.425	33	.311	-.158	51	.220	-.106	69	.000	.000
16	-.258	-.374	34	.247	-.247	52	.152	-.191			
17	-.340	-.301	35	.158	-.311	53	.054	-.238			
18	-.402	-.211	36	.055	-.345	54	-.054	-.238			

APPENDIX

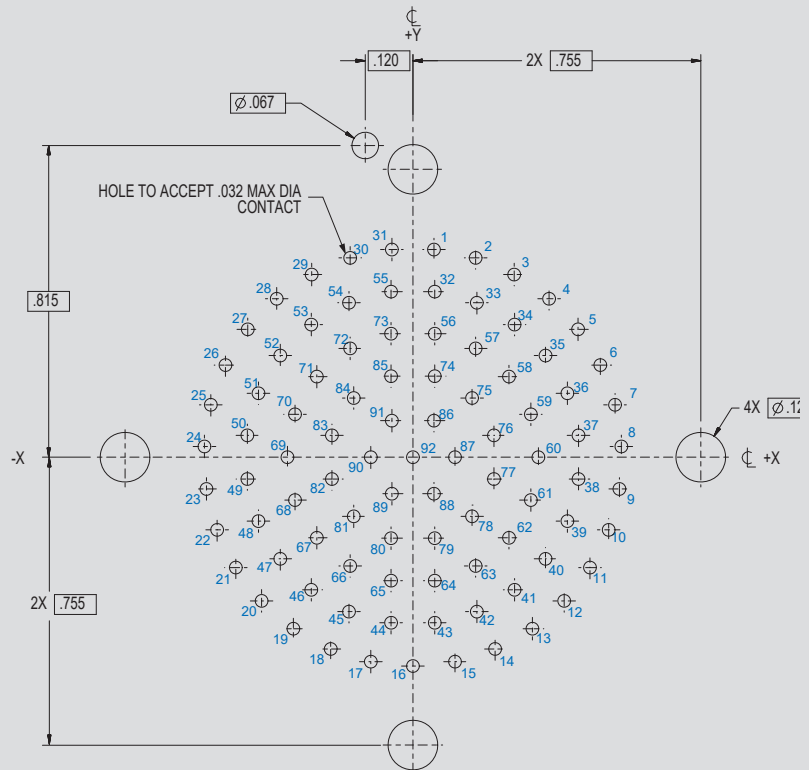
MICRO MINIATURE CIRCULAR
Series 806
Mil-Aero Connectors
 Size 20HD PCB footprints



Recommended PCB Layouts are shown for the connector mounting side of PC board. Contact identification numbers are for pin connectors. Socket identification numbers are reversed.

Arrangement No. 24-92
 92 #20HD Contacts

Contact Position ID	Location		Contact Position ID	Location	
	X Axis	Y Axis		X Axis	Y Axis
1	.053	.523	47	-.334	-.256
2	.158	.502	48	-.389	-.161
3	.255	.460	49	-.417	-.055
4	.343	.399	50	-.417	.055
5	.416	.322	51	-.389	.161
6	.472	.232	52	-.334	.256
7	.509	.132	53	-.256	.334
8	.525	.027	54	-.161	.389
9	.520	-.080	55	-.055	.417
10	.493	-.183	56	.055	.311
11	.446	-.278	57	.158	.274
12	.381	-.362	58	.242	.203
13	.301	-.432	59	.297	.108
14	.207	-.483	60	.316	.000
15	.106	-.515	61	.297	-.108
16	.000	-.526	62	.242	-.203
17	-.106	-.515	63	.158	-.274
18	-.207	-.483	64	.055	-.311
19	-.301	-.432	65	-.055	-.311
20	-.381	-.362	66	-.158	-.274
21	-.446	-.278	67	-.242	-.203
22	-.493	-.183	68	-.297	-.108
23	-.520	-.080	69	-.316	.000
24	-.525	.027	70	-.297	.108
25	-.509	.132	71	-.242	.203
26	-.472	.232	72	-.158	.274
27	-.416	.322	73	-.055	.311
28	-.343	.399	74	.055	.204
29	-.255	.460	75	.149	.149
30	-.158	.502	76	.204	.055
31	-.053	.523	77	.204	-.055
32	.055	.417	78	.149	-.149
33	.161	.389	79	.055	-.204
34	.256	.334	80	-.055	-.204
35	.334	.256	81	-.149	-.149
36	.389	.161	82	-.204	-.055
37	.417	.055	83	-.204	.055
38	.417	-.055	84	-.149	.149
39	.389	-.161	85	-.055	.204
40	.334	-.256	86	.053	.092
41	.256	-.334	87	.106	.000
42	.161	-.389	88	.053	-.092
43	.055	-.417	89	-.053	-.092
44	-.055	-.417	90	-.106	.000
45	-.161	-.389	91	-.053	.092
46	-.256	-.334	92	.000	.000

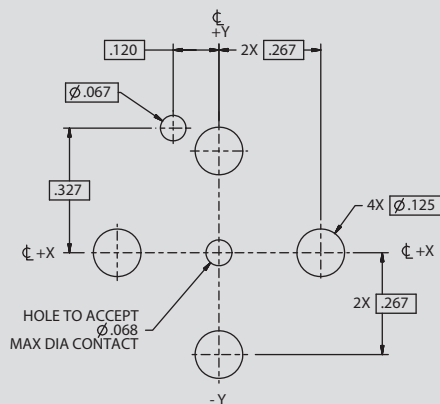


MICRO MINIATURE CIRCULAR
Series 806
Mil-Aero Connectors
 Size 16 PCB footprints

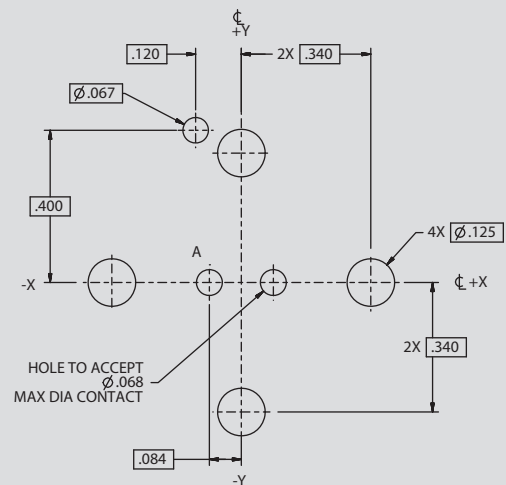


Recommended PCB Layouts are shown for the connector mounting side of PC board. Contact identification numbers are for pin connectors. Socket identification numbers are reversed. See page 159 for size 16 coax PC tail footprints.

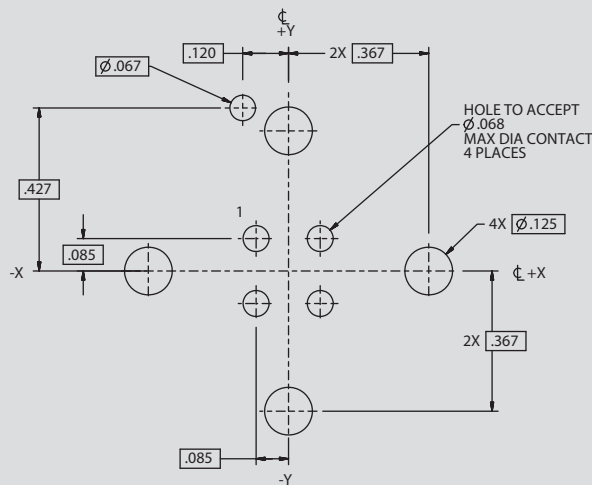
Arrangement No. 8-1
 1x #16 Contacts



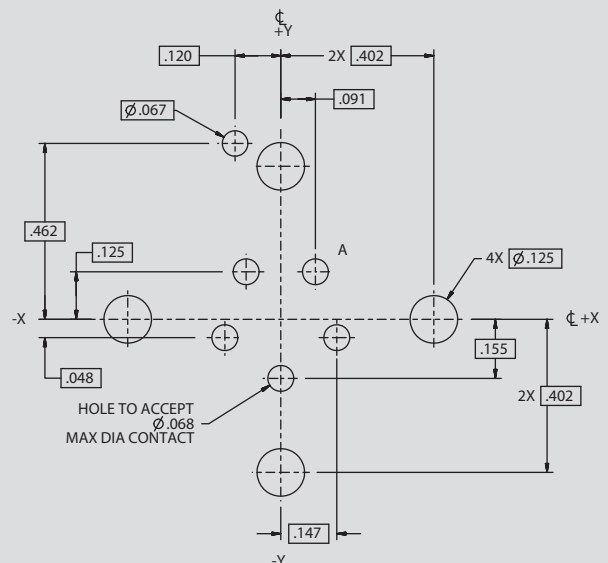
Arrangement No. 10-2
 2x #16 Contacts



Arrangement No. 11-4
 4x #16 Contacts



Arrangement No. 12-5
 5x #16 Contacts



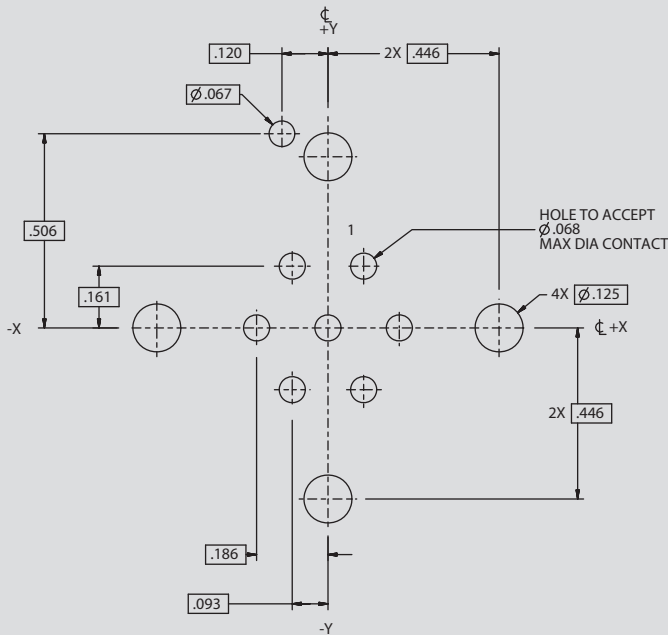
APPENDIX

MICRO MINIATURE CIRCULAR
Series 806
Mil-Aero Connectors
 Size 16 PCB footprints

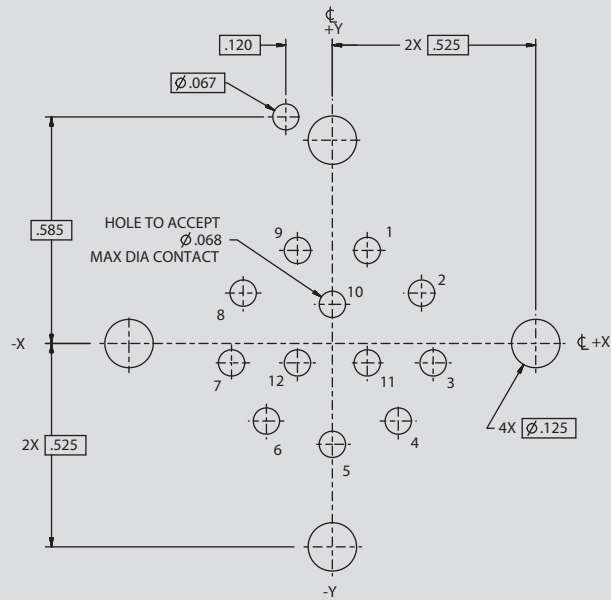


Recommended PCB Layouts are shown for the connector mounting side of PC board. Contact identification numbers are for pin connectors. Socket identification numbers are reversed. See page 159 for size 16 coax PC tail footprints.

Arrangement No. 14-7
 7x #16 Contacts



Arrangement No. 16-12
 12x #16 Contacts



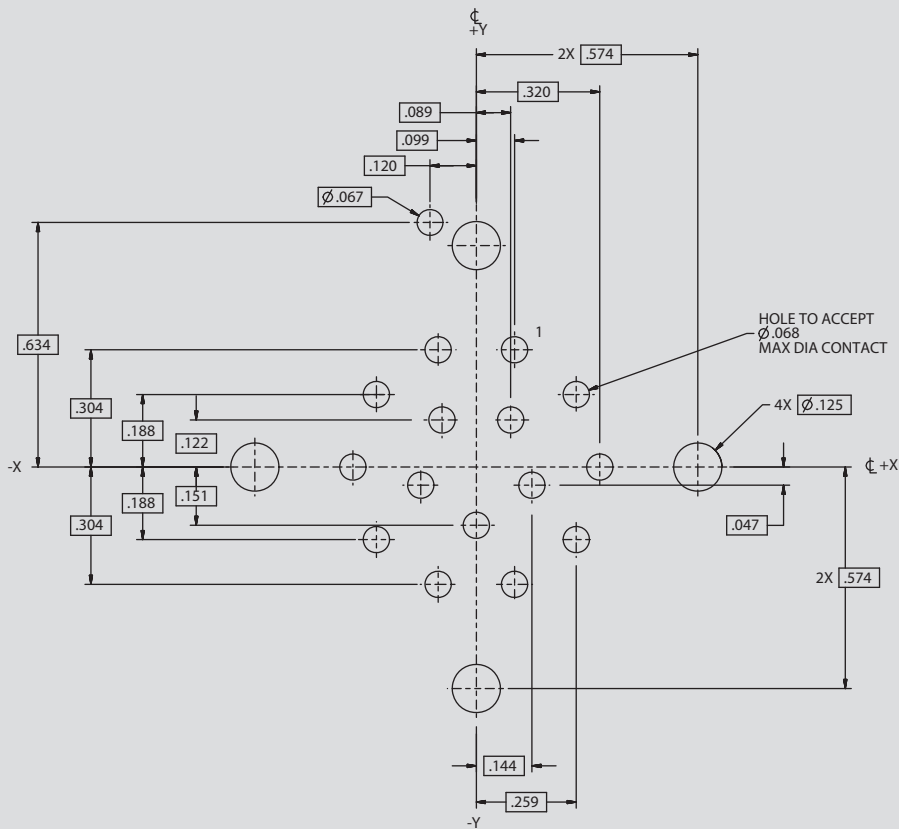
ID NO	LOCATION	
	X	Y
1	0.089	0.244
2	0.225	0.130
3	0.256	-0.045
4	0.167	-0.199
5	0.000	-0.260
6	-0.167	-0.199
7	-0.256	-0.045
8	-0.225	0.130
9	-0.089	0.244
10	0.000	0.101
11	0.088	-0.051
12	-0.088	-0.051

MICRO MINIATURE CIRCULAR
Series 806
Mil-Aero Connectors
 Size 16 PCB footprints



Recommended PCB Layouts are shown for the connector mounting side of PC board. Contact identification numbers are for pin connectors. Socket identification numbers are reversed. See page 159 for size 16 coax PC tail footprints.

Arrangement No. 18-15
 15x#16 Contacts

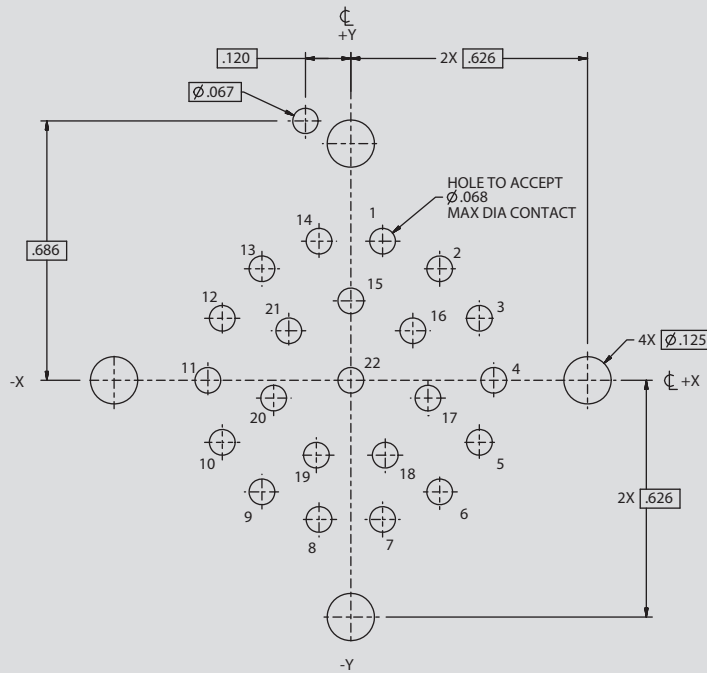


MICRO MINIATURE CIRCULAR
Series 806
Mil-Aero Connectors
 Size 16 PCB footprints



Recommended PCB Layouts are shown for the connector mounting side of PC board. Contact identification numbers are for pin connectors. Socket identification numbers are reversed. See page 159 for size 16 coax PC tail footprints.

Arrangement No. 20-22
 22x #16 Contacts



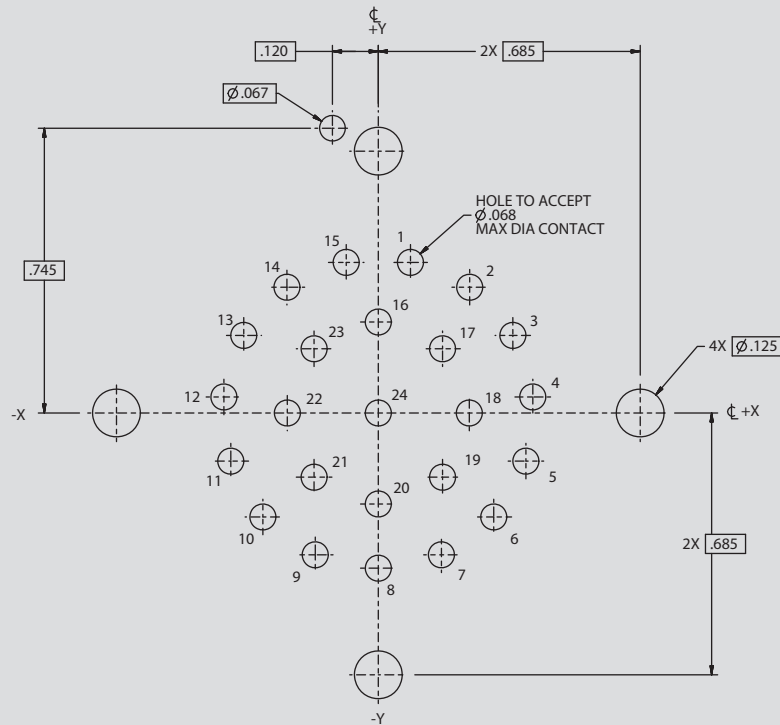
ID NO	LOCATION		ID NO	LOCATION	
	X	Y		X	Y
1	0.084	0.368	12	-0.340	0.164
2	0.235	0.295	13	-0.235	0.295
3	0.340	0.164	14	-0.084	0.368
4	0.378	0.0	15	0.0	0.210
5	0.340	-0.164	16	0.164	0.131
6	0.235	-0.295	17	0.204	-0.047
7	0.084	-0.368	18	0.091	-0.189
8	-0.084	-0.368	19	-0.091	-0.189
9	-0.235	-0.295	20	-0.204	-0.047
10	-0.340	-0.164	21	-0.164	0.131
11	-0.378	0.0	22	0.0	0.0

MICRO MINIATURE CIRCULAR
Series 806
Mil-Aero Connectors
 Size 16 PCB footprints



Recommended PCB Layouts are shown for the connector mounting side of PC board. Contact identification numbers are for pin connectors. Socket identification numbers are reversed. See page 159 for size 16 coax PC tail footprints.

Arrangement No. 22-24
 24x #16 Contacts



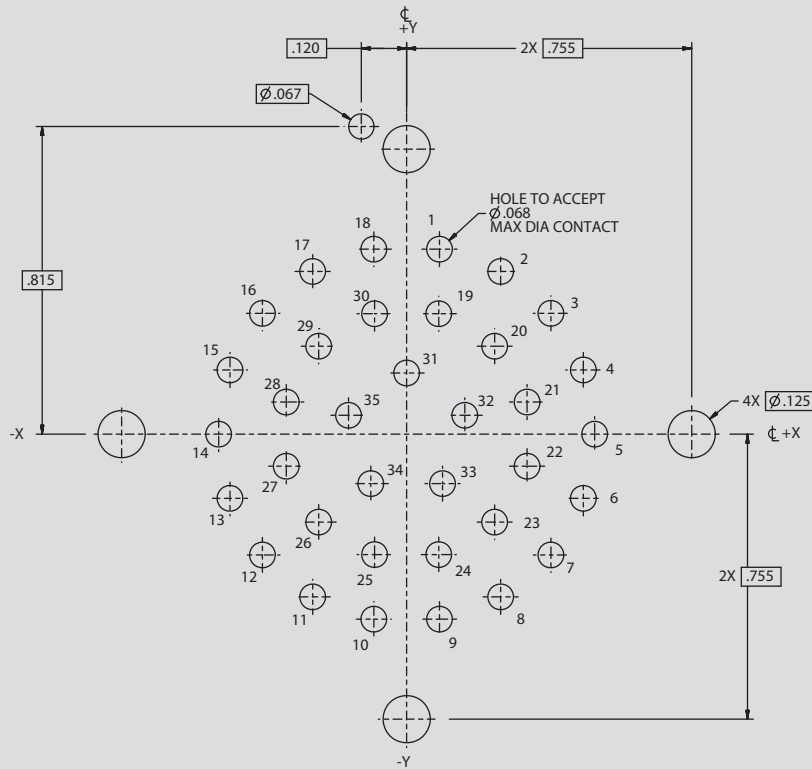
ID NO	LOCATION		ID NO	LOCATION	
	X	Y		X	Y
1	0.084	0.397	13	-0.352	0.203
2	0.239	0.329	14	-0.239	0.329
3	0.352	0.203	15	-0.084	0.397
4	0.404	0.042	16	0.0	0.238
5	0.386	-0.126	17	0.168	0.168
6	0.302	-0.272	18	0.238	0.0
7	0.165	-0.371	19	0.168	-0.168
8	0.0	-0.406	20	0.0	-0.238
9	-0.165	-0.371	21	-0.168	-0.168
10	-0.302	-0.272	22	0.0	-0.238
11	-0.386	-0.126	23	-0.168	0.168
12	-0.404	0.042	24	0.0	0.0

MICRO MINIATURE CIRCULAR
Series 806
Mil-Aero Connectors
 Size 16 PCB footprints



Recommended PCB Layouts are shown for the connector mounting side of PC board. Contact identification numbers are for pin connectors. Socket identification numbers are reversed. See page 159 for size 16 coax PC tail footprints.

Arrangement No. 24-35
 35 #16 Contacts



ID NO	LOCATION X	LOCATION Y	ID NO	LOCATION X	LOCATION Y	ID NO	LOCATION X	LOCATION Y
1	0.087	0.490	13	-0.170	-0.468	25	-0.085	-0.319
2	0.249	0.431	14	-0.498	0.0	26	-0.233	-0.233
3	0.382	0.320	15	-0.468	0.170	27	-0.319	-0.085
4	0.468	0.170	16	-0.382	0.320	28	-0.319	0.085
5	0.498	0.0	17	-0.249	0.431	29	-0.233	0.233
6	0.468	-0.170	18	-0.087	0.490	30	-0.085	0.319
7	0.382	-0.320	19	0.085	0.319	31	0.0	0.162
8	0.249	-0.431	20	0.233	0.233	32	0.154	0.050
9	0.087	-0.490	21	0.319	0.085	33	0.095	-0.131
10	-0.087	-0.490	22	0.319	-0.085	34	-0.095	-0.131
11	-0.249	-0.431	23	0.233	-0.233	35	-0.154	0.050
12	-0.382	-0.320	24	0.085	-0.319			

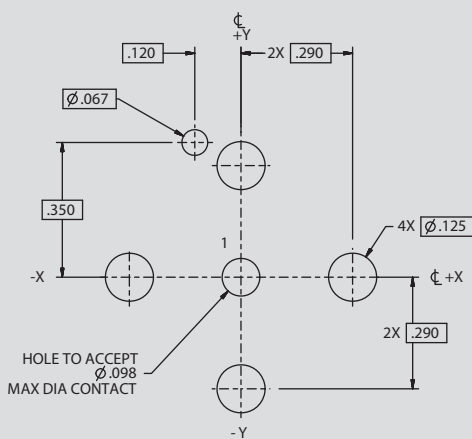
APPENDIX

MICRO MINIATURE CIRCULAR
Series 806
Mil-Aero Connectors
 Size 12 PCB footprints

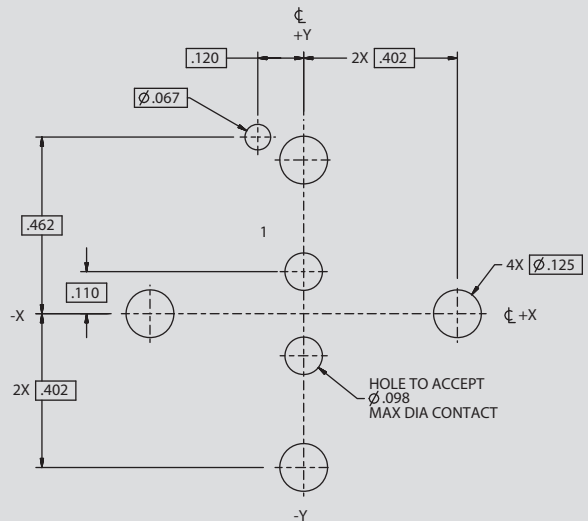


Recommended PCB Layouts are shown for the connector mounting side of PC board. Contact identification numbers are for pin connectors. Socket identification numbers are reversed. See page 159 for size 12 coax PC tail footprints.

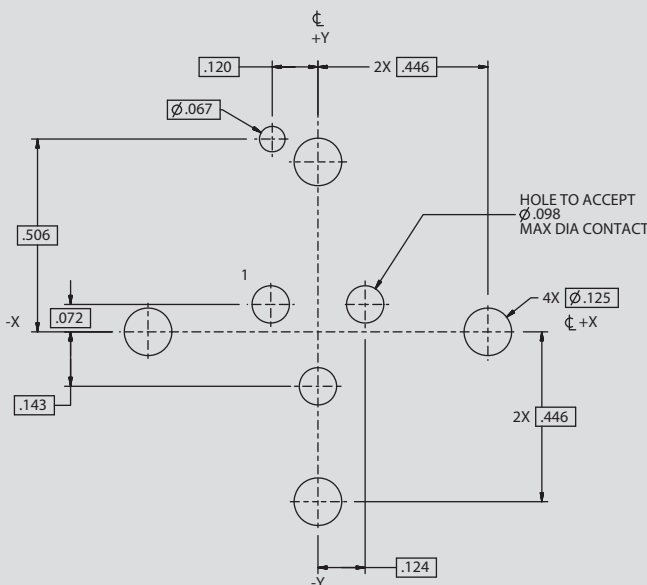
Arrangement No. 9-1
 1x #12 Contact



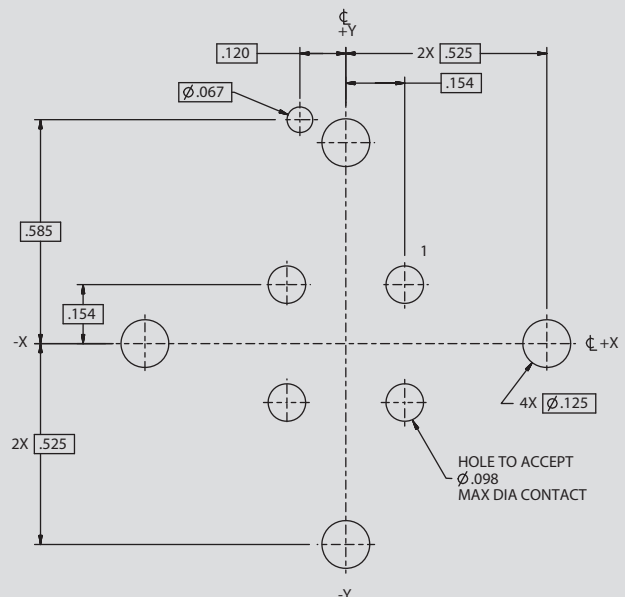
Arrangement No. 12-2
 2x #12 Contacts



Arrangement No. 14-3
 3x #12 Contacts



Arrangement No. 16-4
 4x #12 Contacts

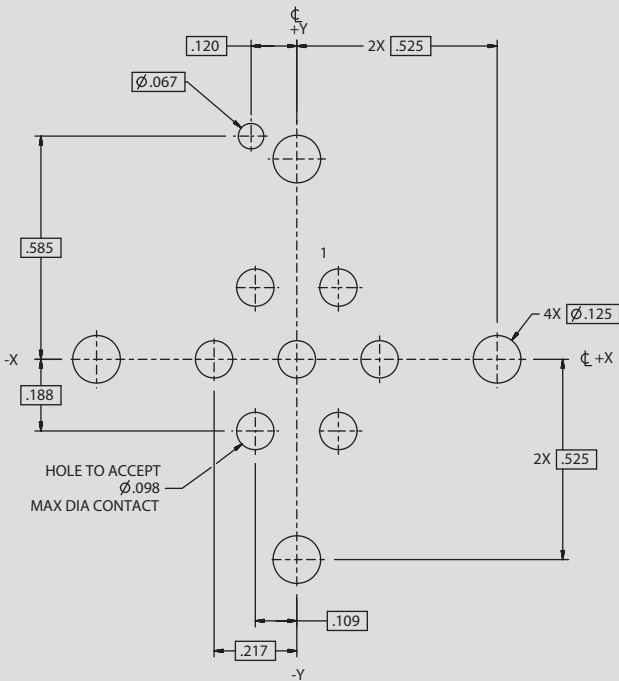


MICRO MINIATURE CIRCULAR
Series 806
Mil-Aero Connectors
Size 12 PCB footprints

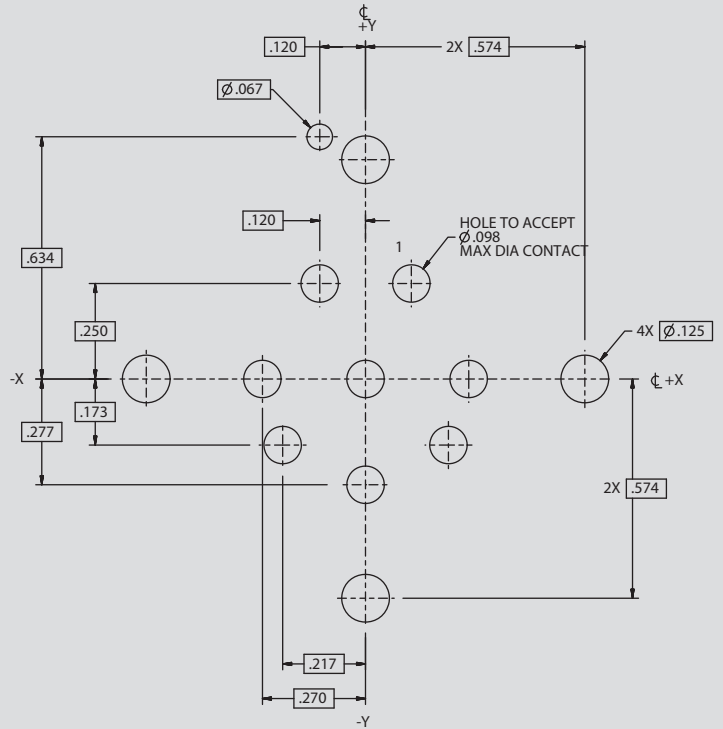


Recommended PCB Layouts are shown for the connector mounting side of PC board. Contact identification numbers are for pin connectors. Socket identification numbers are reversed. See page 159 for size 12 coax PC tail footprints.

Arrangement No. 16-7
 7x #12 Contacts



Arrangement No. 18-8
 8x #12 Contacts

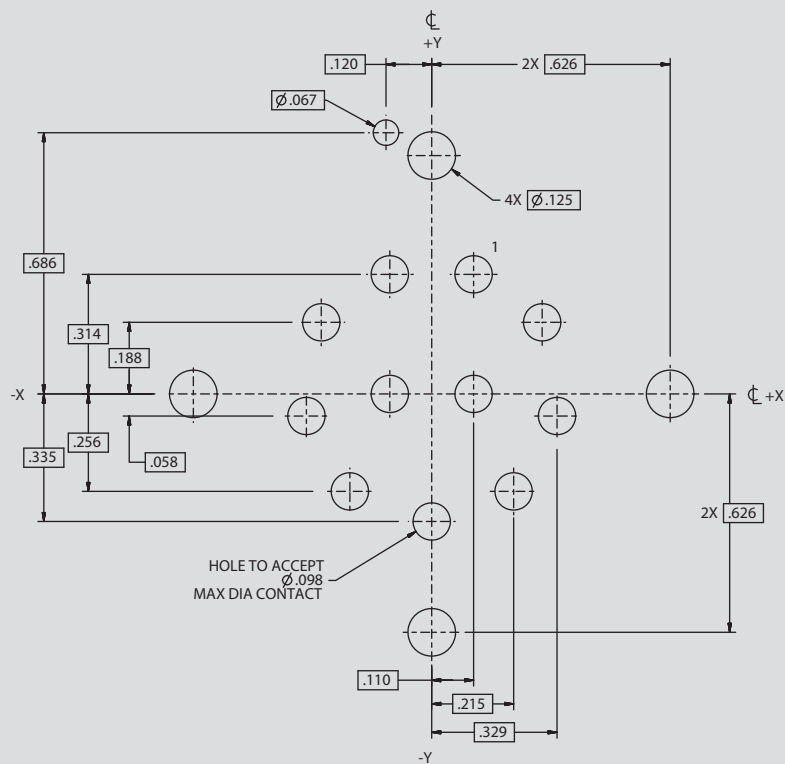


MICRO MINIATURE CIRCULAR
Series 806
Mil-Aero Connectors
 Size 12 PCB footprints



Recommended PCB Layouts are shown for the connector mounting side of PC board. Contact identification numbers are for pin connectors. Socket identification numbers are reversed. See page 159 for size 12 coax PC tail footprints.

Arrangement No. 20-11
 11x #12 Contacts

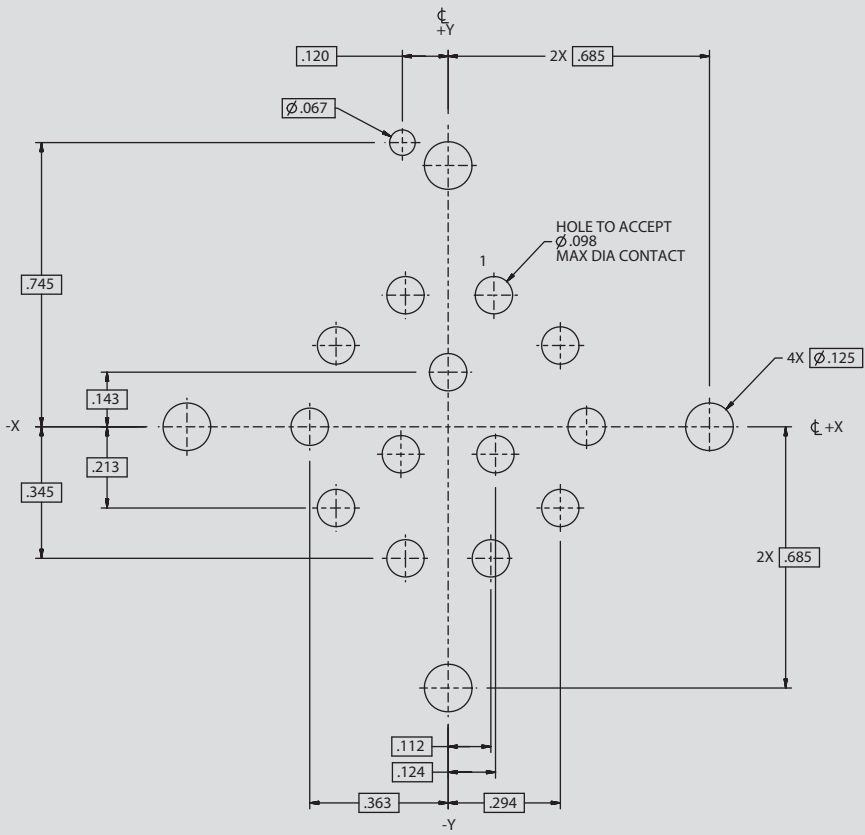


MICRO MINIATURE CIRCULAR
Series 806
Mil-Aero Connectors
Size 12 PCB footprints



Recommended PCB Layouts are shown for the connector mounting side of PC board. Contact identification numbers are for pin connectors. Socket identification numbers are reversed. See page 159 for size 12 coax PC tail footprints.

Arrangement No. 22-13
 13x #12 Contacts

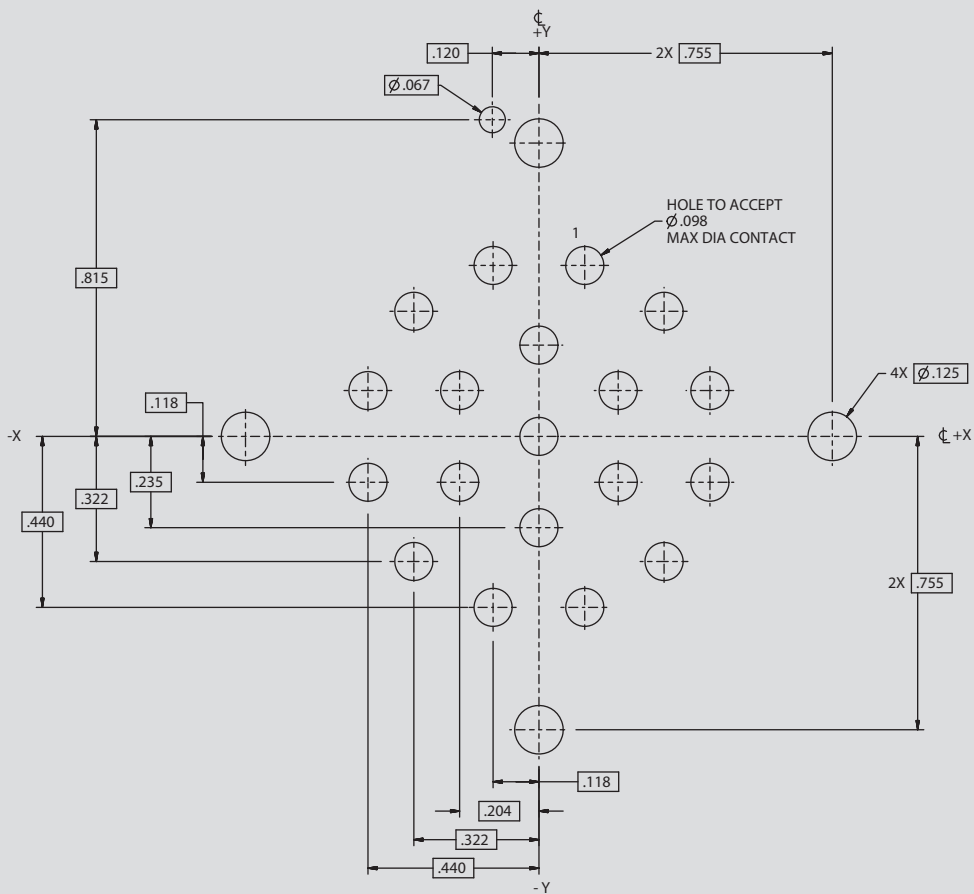


MICRO MINIATURE CIRCULAR
Series 806
Mil-Aero Connectors
 Size 12 PCB footprints



Recommended PCB Layouts are shown for the connector mounting side of PC board. Contact identification numbers are for pin connectors. Socket identification numbers are reversed. See page 159 for size 12 coax PC tail footprints.

Arrangement No. 24-19
 19x #12 Contacts

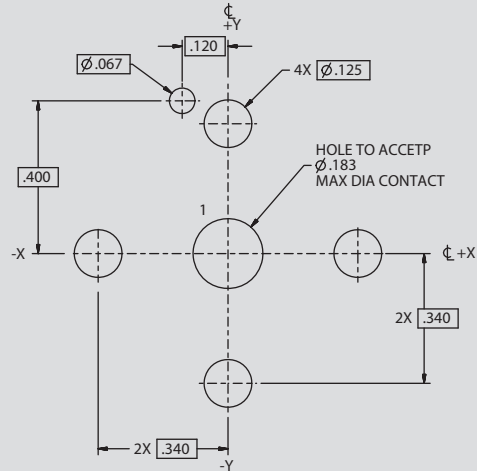


MICRO MINIATURE CIRCULAR
Series 806
Mil-Aero Connectors
Size 8 PCB footprints

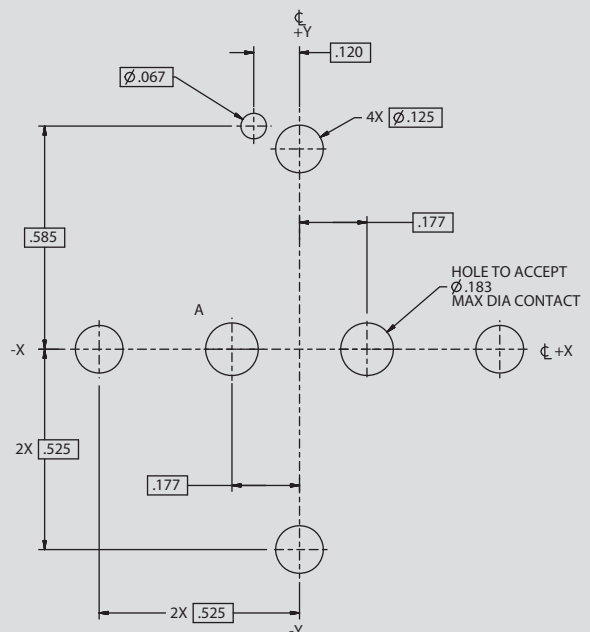


Recommended PCB Layouts are shown for the connector mounting side of PC board. Contact identification numbers are for pin connectors. Socket identification numbers are reversed. See page 159 for size 8 coax, twinax, quadax, and El Ocho PC tail footprints.

Arrangement No. 10-1
 1x #8 Contacts



Arrangement No. 16-2
 2x #8 Contacts

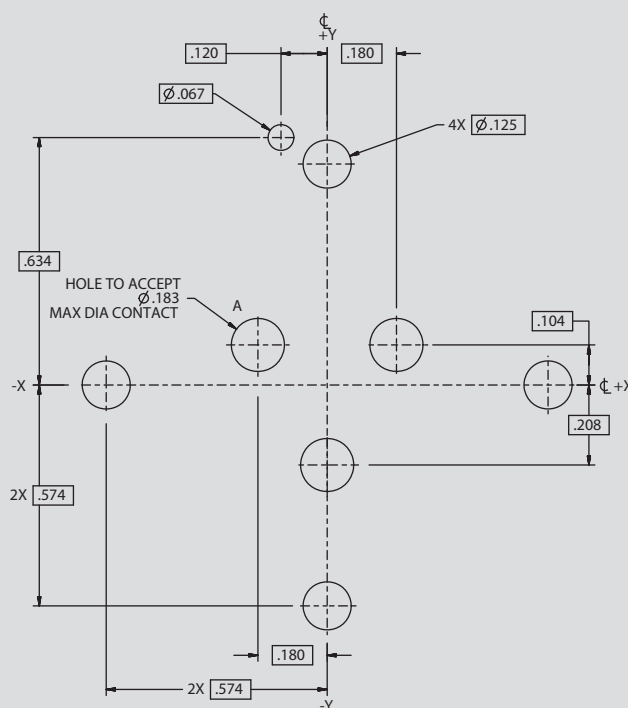


MICRO MINIATURE CIRCULAR
Series 806
Mil-Aero Connectors
Size 8 PCB footprints

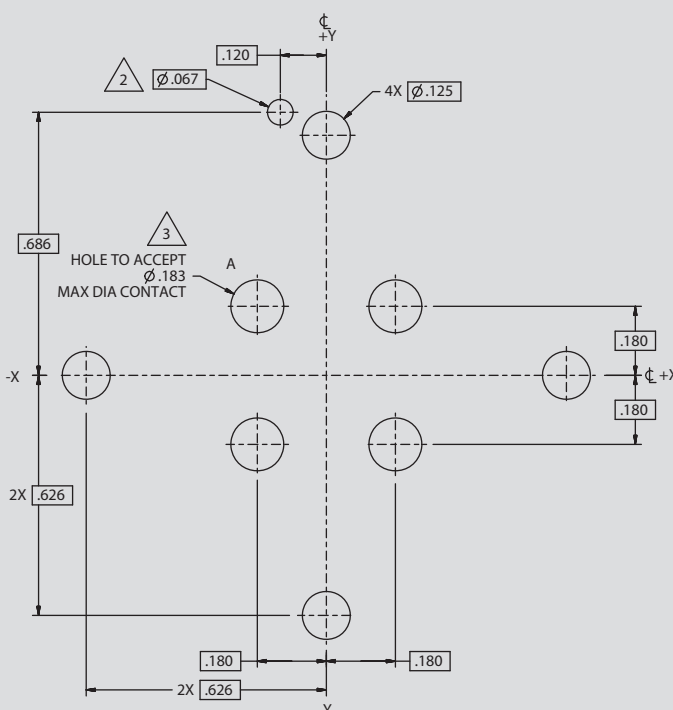


Recommended PCB Layouts are shown for the connector mounting side of PC board. Contact identification numbers are for pin connectors. Socket identification numbers are reversed. See page 159 for size 8 coax, twinax, quadrax, and El Ochito PC tail footprints.

Arrangement No. 18-3
3x #8 Contact



Arrangement No. 20-4
4x #8 Contacts

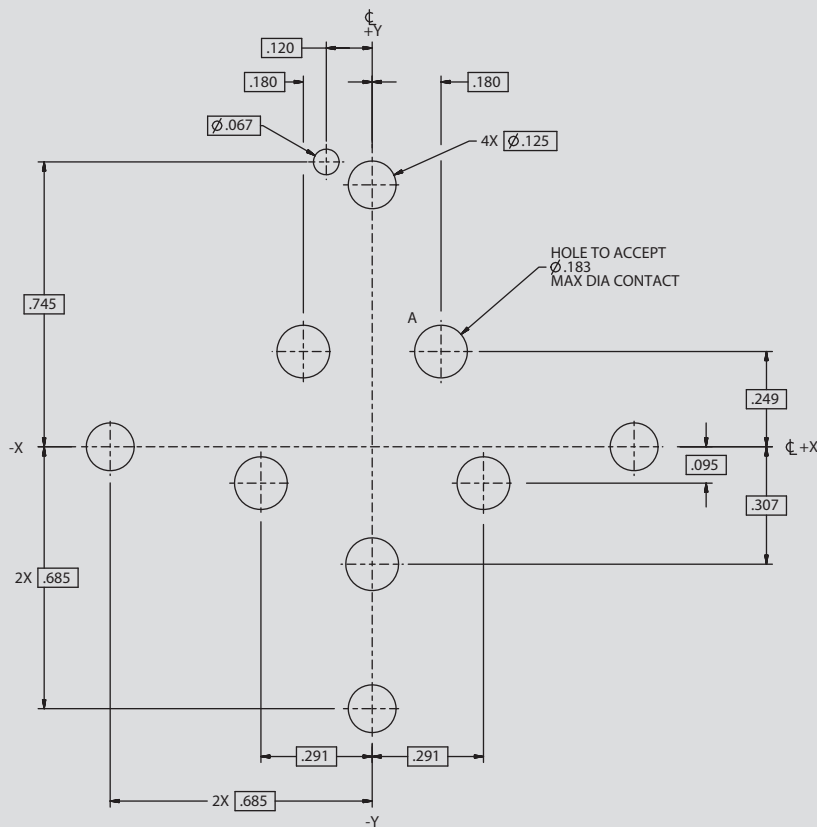


MICRO MINIATURE CIRCULAR
Series 806
Mil-Aero Connectors
 Size 8 PCB footprints



Recommended PCB Layouts are shown for the connector mounting side of PC board. Contact identification numbers are for pin connectors. Socket identification numbers are reversed. See page 159 for size 8 coax, twinax, quadax, and EI Ochito PC tail footprints.

Arrangement No. 22-5
 5x#8 Contacts

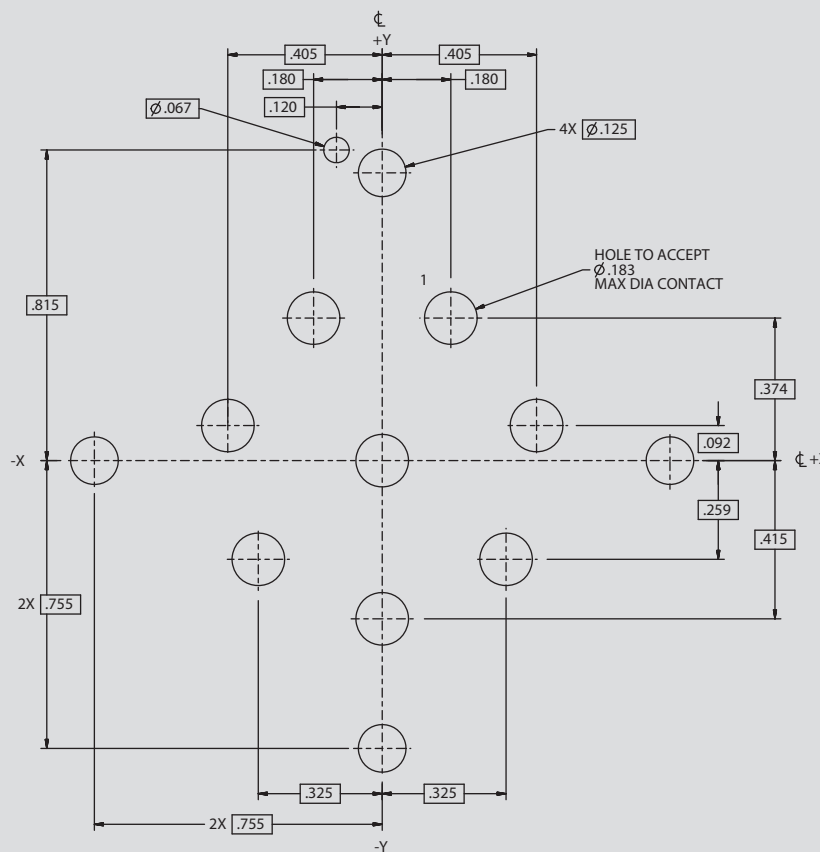


MICRO MINIATURE CIRCULAR
Series 806
Mil-Aero Connectors
 Size 8 PCB footprints



Recommended PCB Layouts are shown for the connector mounting side of PC board. Contact identification numbers are for pin connectors. Socket identification numbers are reversed. See page 159 for size 8 coax, twinax, quadax, and El Ochito PC tail footprints.

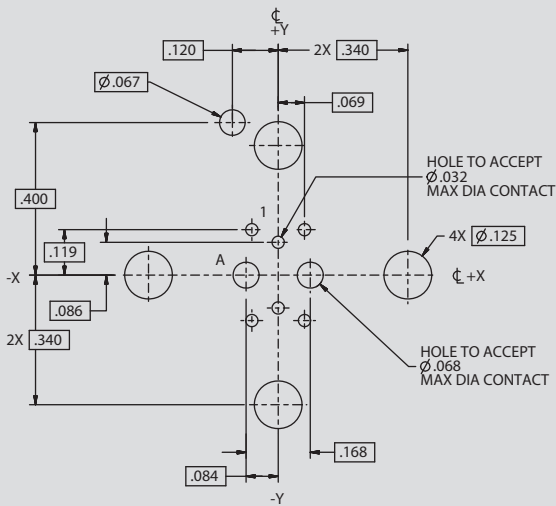
Arrangement No. 24-8
 8x #8 El Ochito Contacts



Recommended PCB Layouts are shown for the connector mounting side of PC board. Contact identification numbers are for pin connectors. Socket identification numbers are reversed. See page 159 for size 16 coax PC tail footprints.

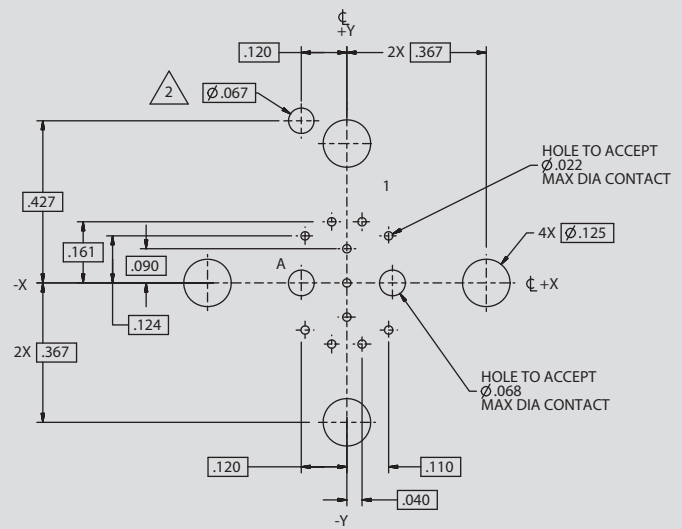
Arrangement No. 10-8A

2x #16 and 6x #22HD Contacts



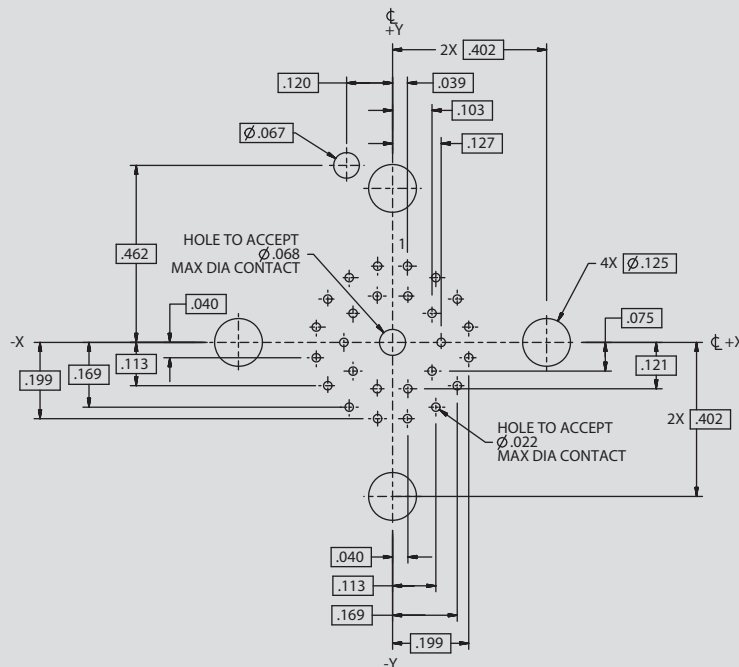
Arrangement No. 11-13

2x #16 and 6x #22HD Contacts



Arrangement No. 12-27

1x #16 and 26x #22HD Contacts



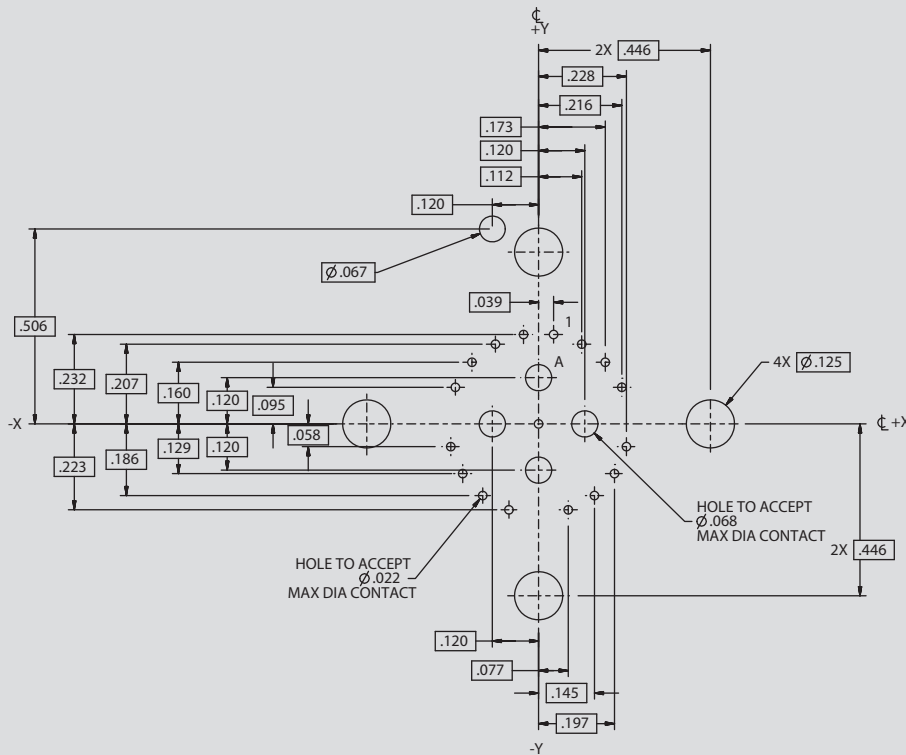
MICRO MINIATURE CIRCULAR
Series 806
Mil-Aero Connectors



Size 22 and 16 combination PCB footprints

Recommended PCB Layouts are shown for the connector mounting side of PC board. Contact identification numbers are for pin connectors. Socket identification numbers are reversed. See page 159 for size 16 coax PC tail footprints.

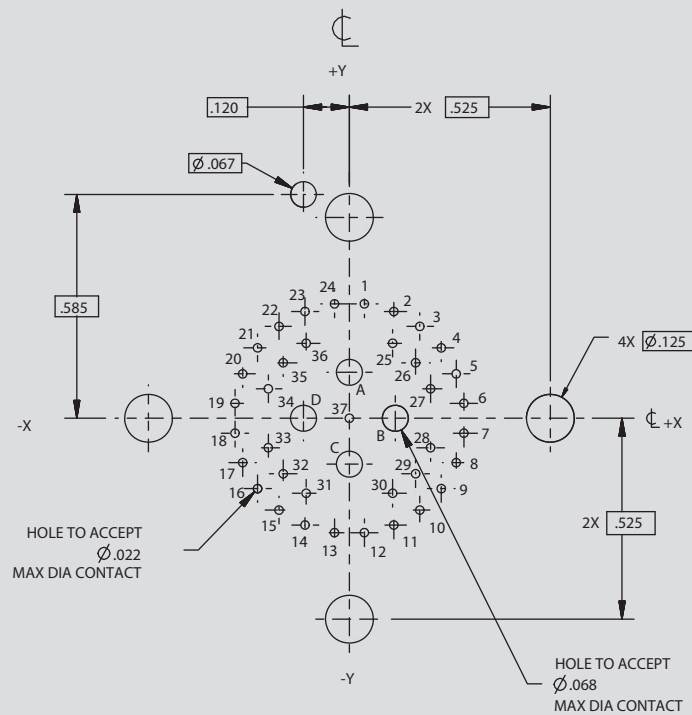
Arrangement No. 14-21
 4x #16 and 17x #22HD Contacts



Recommended PCB Layouts are shown for the connector mounting side of PC board. Contact identification numbers are for pin connectors. Socket identification numbers are reversed. See page 159 for size 16 coax PC tail footprints.

Arrangement No. 16-41

4x #16 and 37x #22HD Contacts



ID NO	LOCATION		ID NO	LOCATION		ID NO	LOCATION	
	X	Y		X	Y		X	Y
1	0.039	0.299	15	-0.184	-0.240	29	0.173	-0.145
2	0.116	0.279	16	-0.240	-0.184	30	0.113	-0.196
3	0.184	0.240	17	-0.279	-0.116	31	-0.113	-0.196
4	0.240	0.184	18	-0.299	-0.039	32	-0.173	-0.145
5	0.279	0.116	19	-0.299	0.039	33	-0.212	-0.077
6	0.299	0.039	20	-0.279	0.116	34	-0.212	0.077
7	0.299	-0.039	21	-0.240	0.184	35	-0.173	0.145
8	0.279	-0.116	22	-0.184	0.240	36	-0.113	0.196
9	0.240	-0.184	23	-0.116	0.279	37	0.0	0.0
10	0.184	-0.240	24	-0.039	0.299	A	0.0	0.120
11	0.116	-0.279	25	0.113	0.196	B	0.120	0.0
12	0.039	-0.299	26	0.173	0.145	C	0.0	-0.120
13	-0.039	-0.299	27	0.212	0.077	D	-0.120	0.0
14	-0.116	-0.279	28	0.212	-0.077	--	----	----

MICRO MINIATURE CIRCULAR Series 806 Mil-Aero Connectors

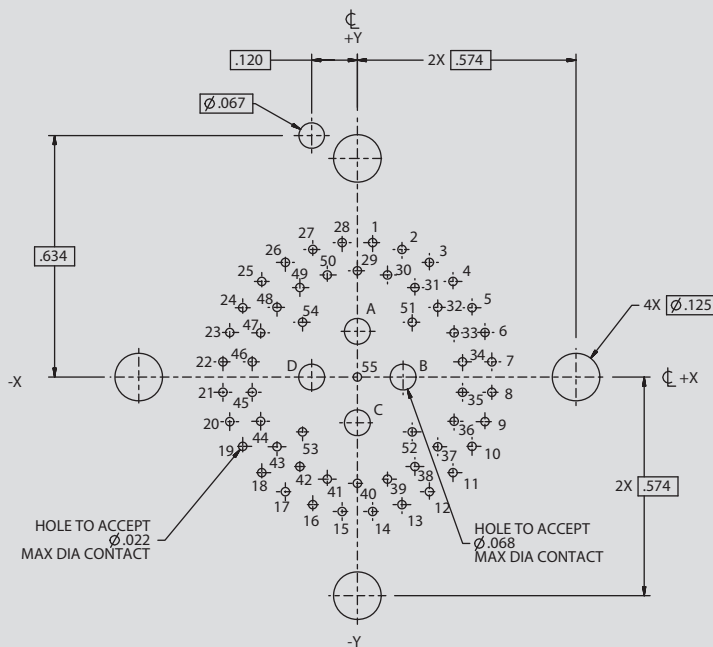


Size 22 and 16 combination PCB footprints

Recommended PCB Layouts are shown for the connector mounting side of PC board. Contact identification numbers are for pin connectors. Socket identification numbers are reversed. See page 159 for size 16 coax PC tail footprints.

Arrangement No. 18-59

4x #16 and 17x #22HD Contacts



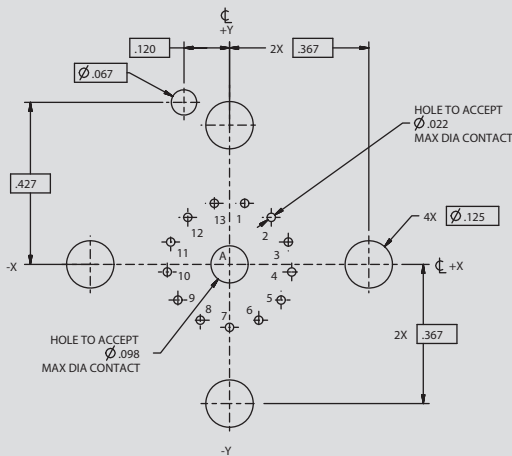
ID NO	LOCATION		ID NO	LOCATION		ID NO	LOCATION		ID NO	LOCATION	
	X	Y		X	Y		X	Y		X	Y
1	0.040	0.353	16	-0.117	-0.335	31	0.151	0.235	46	-0.276	0.040
2	0.117	0.335	17	-0.189	-0.301	32	0.211	0.183	47	-0.254	0.116
3	0.189	0.301	18	-0.251	-0.251	33	0.254	0.116	48	-0.211	0.183
4	0.251	0.251	19	-0.301	-0.183	34	0.276	0.040	49	-0.151	0.235
5	0.301	0.183	20	-0.335	-0.117	35	0.276	-0.040	50	-0.079	0.268
6	0.335	0.117	21	-0.353	-0.040	36	0.254	-0.116	51	0.144	0.144
7	0.353	0.040	22	-0.353	0.040	37	0.211	-0.183	52	0.144	-0.144
8	0.353	-0.040	23	-0.335	0.117	38	0.151	-0.235	53	-0.144	-0.144
9	0.335	-0.117	24	-0.301	0.183	39	0.079	-0.268	54	-0.144	0.144
10	0.301	-0.183	25	-0.251	0.251	40	0.000	-0.279	55	0.000	0.000
11	0.251	-0.251	26	-0.189	0.301	41	-0.079	-0.268	A	0.000	0.120
12	0.189	-0.301	27	-0.117	0.335	42	-0.151	-0.235	B	0.120	0.000
13	0.117	-0.335	28	-0.040	0.353	43	-0.211	-0.183	C	0.000	-0.120
14	0.040	-0.353	29	0.000	0.279	44	-0.254	-0.116	D	-0.120	0.000
15	-0.040	-0.353	30	0.079	0.268	45	-0.276	-0.040	--	----	----

APPENDIX

Recommended PCB Layouts are shown for the connector mounting side of PC board. Contact identification numbers are for pin connectors. Socket identification numbers are reversed. See page 159 for size 12 coax PC tail footprints.

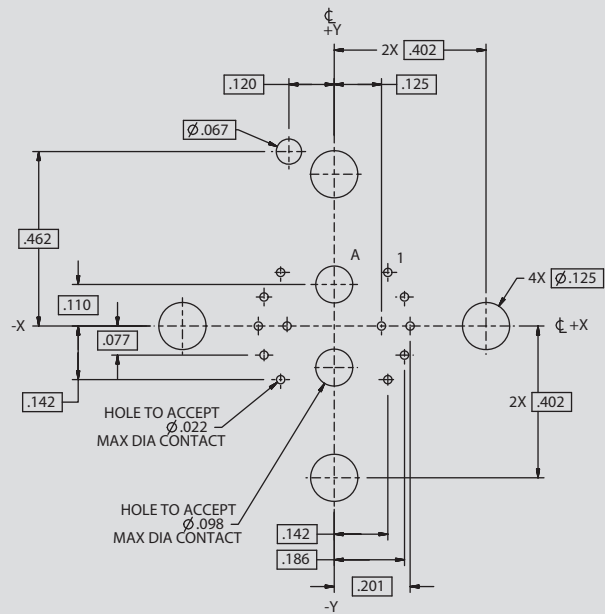
Arrangement No. 11-14

1x #12 and 13x #22HD Contacts



Arrangement No. 12-14

2x #12 and 12x #22HD Contacts



ID NO	LOCATION	
	X	Y
1	0.040	0.161
2	0.110	0.124
3	0.155	0.059
4	0.164	-0.020
5	0.136	-0.094
6	0.077	-0.147
7	0.000	-0.166
8	-0.077	-0.147
9	-0.136	-0.094
10	-0.164	-0.020
11	-0.155	0.059
12	-0.110	0.124
13	-0.040	0.161
A	0.000	0.000

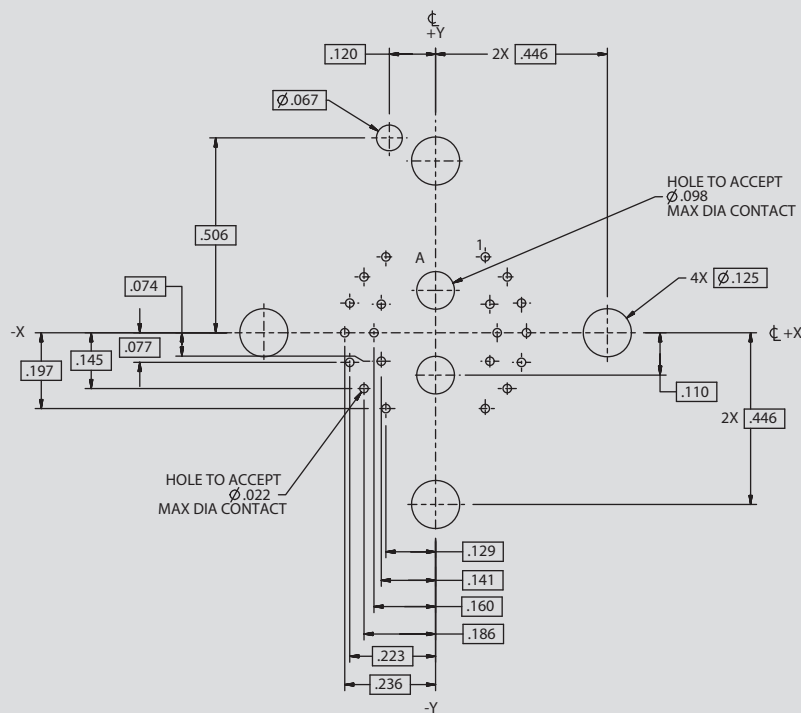
MICRO MINIATURE CIRCULAR
Series 806
Mil-Aero Connectors



Size 22 and 12 combination PCB footprints

Recommended PCB Layouts are shown for the connector mounting side of PC board. Contact identification numbers are for pin connectors. Socket identification numbers are reversed. See page 159 for size 12 coax PC tail footprints.

Arrangement No. 14-22
 2x #12 and 20x #22HD Contacts

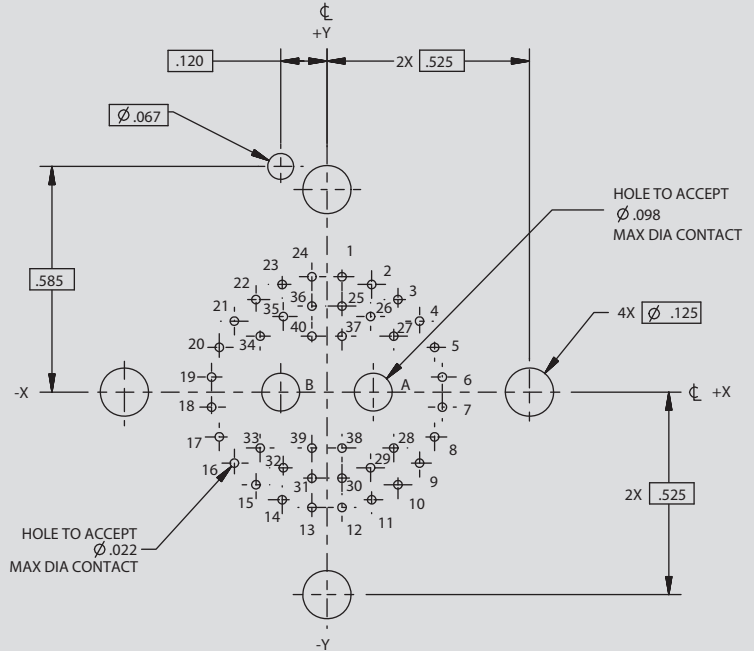


MICRO MINIATURE CIRCULAR
Series 806
Mil-Aero Connectors
 Size 22 and 12 combination PCB footprints



Recommended PCB Layouts are shown for the connector mounting side of PC board. Contact identification numbers are for pin connectors. Socket identification numbers are reversed. See page 159 for size 12 coax PC tail footprints.

Arrangement No. 16-42
 2x #12 and 40x #22HD Contacts



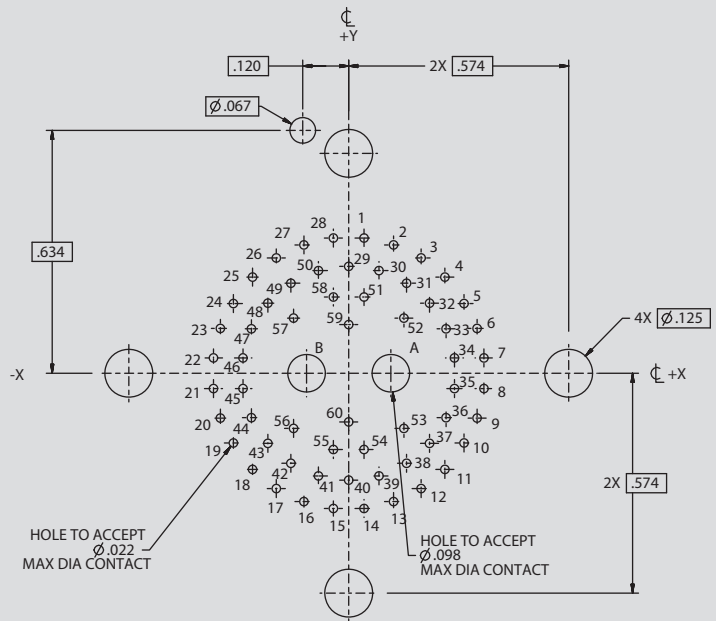
ID NO	LOCATION X	LOCATION Y	ID NO	LOCATION X	LOCATION Y
1	0.039	0.299	22	-0.184	0.240
2	0.116	0.279	23	-0.116	0.279
3	0.184	0.240	24	-0.039	0.299
4	0.240	0.184	25	0.039	0.223
5	0.279	0.116	26	0.113	0.196
6	0.299	0.039	27	0.173	0.145
7	0.299	-0.039	28	0.173	-0.145
8	0.279	-0.116	29	0.113	-0.196
9	0.240	-0.184	30	0.039	-0.223
10	0.184	-0.240	31	-0.039	-0.223
11	0.116	-0.279	32	-0.113	-0.196
12	0.039	-0.299	33	-0.173	-0.145
13	-0.039	-0.299	34	-0.173	0.145
14	-0.116	-0.279	35	-0.113	0.196
15	-0.184	-0.240	36	-0.039	0.223
16	-0.240	-0.184	37	0.039	0.145
17	-0.279	-0.116	38	0.039	-0.145
18	-0.299	-0.039	39	-0.039	-0.145
19	-0.299	0.039	40	-0.039	0.145
20	-0.279	0.116	A	0.110	0.0
21	-0.240	0.184	B	-0.110	0.0

MICRO MINIATURE CIRCULAR
Series 806
Mil-Aero Connectors
 Size 22 and 12 combination PCB footprints



Recommended PCB Layouts are shown for the connector mounting side of PC board. Contact identification numbers are for pin connectors. Socket identification numbers are reversed. See page 159 for size 12 coax PC tail footprints.

Arrangement No. 18-62
 60x #22HD and 2 #12 Contacts



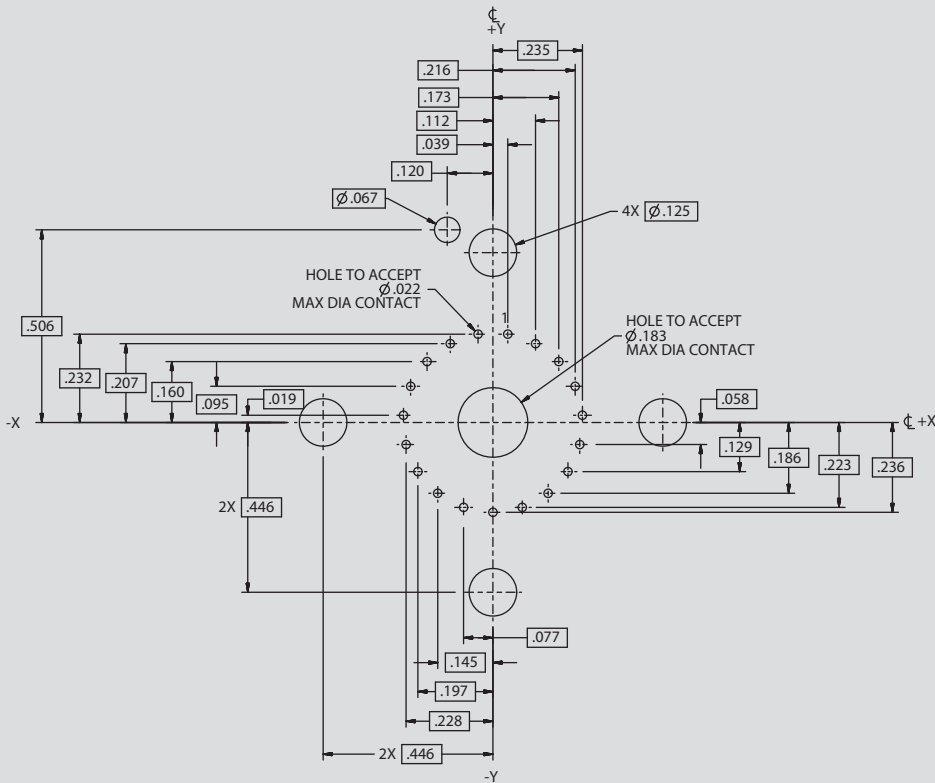
ID NO	LOCATION		ID NO	LOCATION		ID NO	LOCATION	
	X	Y		X	Y		X	Y
1	0.040	0.353	22	-0.353	0.040	43	-0.211	-0.183
2	0.117	0.335	23	-0.335	0.117	44	-0.254	-0.116
3	0.189	0.301	24	-0.301	0.189	45	-0.276	-0.040
4	0.251	0.251	25	-0.251	0.251	46	-0.276	0.040
5	0.301	0.189	26	-0.189	0.301	47	-0.254	0.116
6	0.335	0.117	27	-0.117	0.335	48	-0.211	0.183
7	0.353	0.040	28	-0.040	0.353	49	-0.151	0.235
8	0.353	-0.040	29	0.0	0.279	50	-0.079	0.268
9	0.335	-0.117	30	0.079	0.268	51	0.040	0.199
10	0.301	-0.189	31	0.151	0.235	52	0.113	0.169
11	0.251	-0.251	32	0.211	0.183	53	0.113	-0.169
12	0.189	-0.301	33	0.254	0.116	54	0.040	-0.199
13	0.117	-0.335	34	0.276	0.040	55	-0.040	-0.199
14	0.040	-0.353	35	0.276	-0.040	56	-0.113	-0.169
15	-0.040	-0.353	36	0.254	-0.116	57	-0.113	0.169
16	-0.117	-0.335	37	0.211	-0.183	58	-0.040	0.199
17	-0.189	-0.301	38	0.151	-0.235	59	0.0	0.127
18	-0.251	-0.251	39	0.079	-0.268	60	0.0	-0.127
19	-0.301	-0.189	40	0.0	-0.279	A	0.110	0.0
20	-0.335	-0.117	41	-0.079	-0.268	B	-0.110	0.0
21	-0.353	-0.040	42	-0.151	-0.235	-	-	-

APPENDIX

Recommended PCB Layouts are shown for the connector mounting side of PC board. Contact identification numbers are for pin connectors. Socket identification numbers are reversed. See page 159 for size 8 coax, twinax, quadax, and EI Ochito PC tail footprints.

Arrangement No. 14-20A

20 #22HD and 1x#8 Contacts

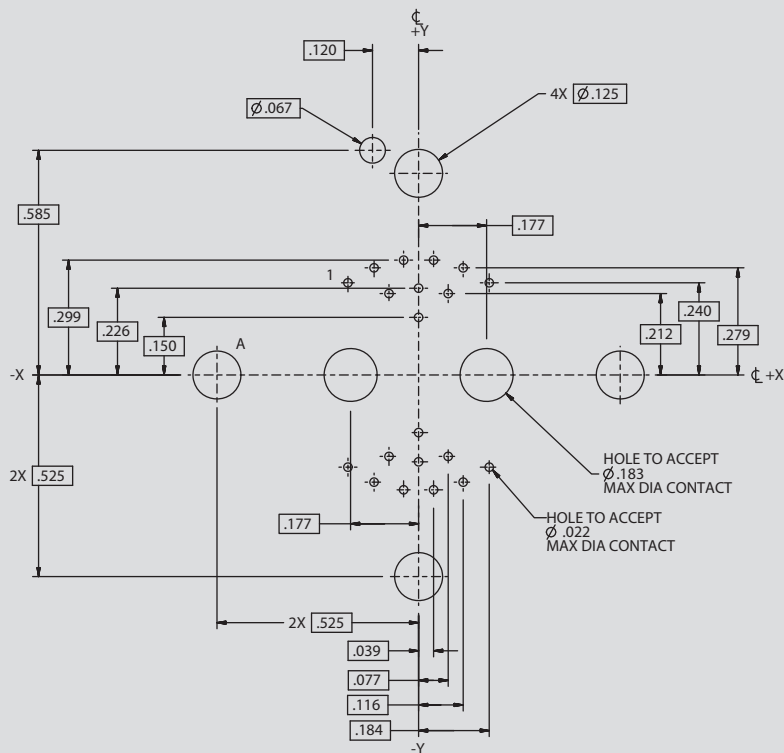


MICRO MINIATURE CIRCULAR
Series 806
Mil-Aero Connectors
 Size 22 and 8 combination PCB footprints



Recommended PCB Layouts are shown for the connector mounting side of PC board. Contact identification numbers are for pin connectors. Socket identification numbers are reversed. See page 159 for size 8 coax, twinax, quadrax, and El Ochito PC tail footprints.

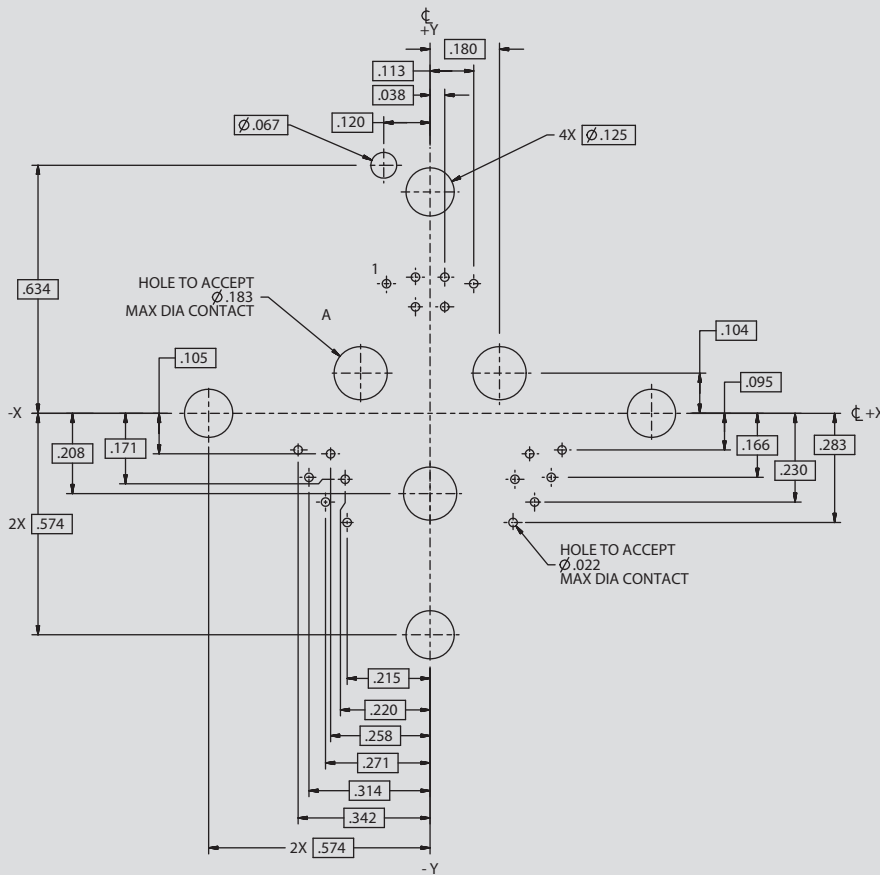
Arrangement No. 16-22
 20 #22HD and 2x#8 Contacts



Recommended PCB Layouts are shown for the connector mounting side of PC board. Contact identification numbers are for pin connectors. Socket identification numbers are reversed. See page 159 for size 8 coax, twinax, quadax, and EI Ochito PC tail footprints.

Arrangement No. 18-21

22x #22HD and 3x#8 Contacts

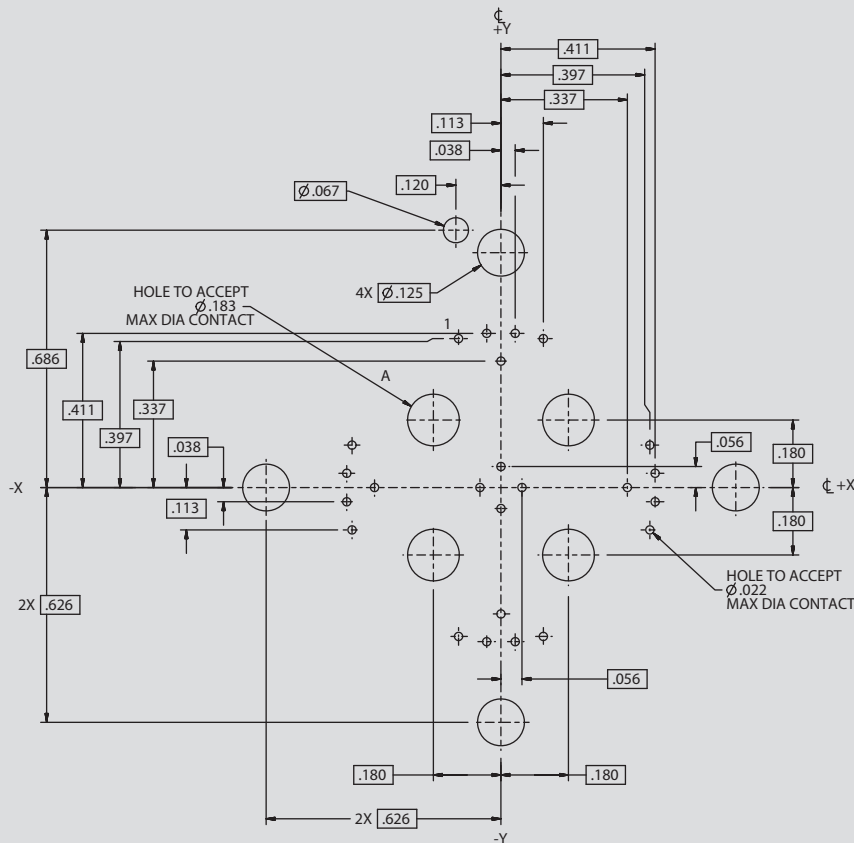


MICRO MINIATURE CIRCULAR
Series 806
Mil-Aero Connectors
 Size 22 and 8 combination PCB footprints



Recommended PCB Layouts are shown for the connector mounting side of PC board. Contact identification numbers are for pin connectors. Socket identification numbers are reversed. See page 159 for size 8 coax, twinax, quadax, and El Ochito PC tail footprints.

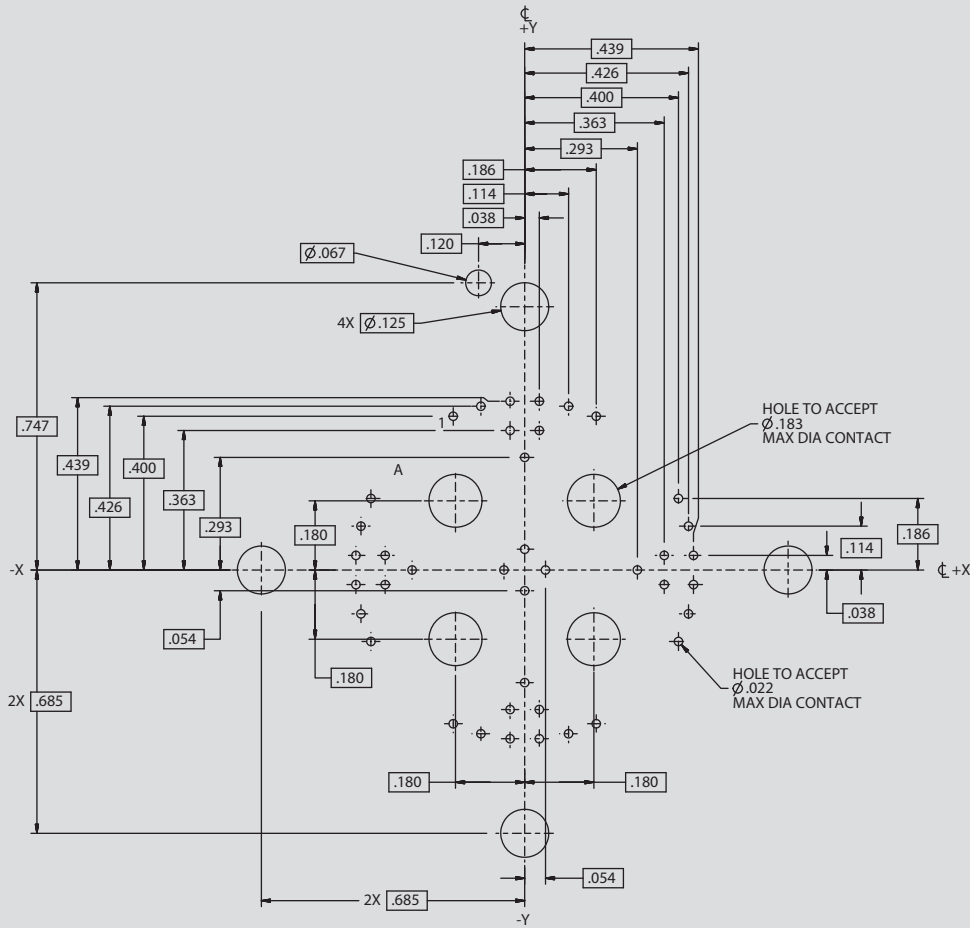
Arrangement No. 20-28
 24x #22HD and 4x #8 Contacts



Recommended PCB Layouts are shown for the connector mounting side of PC board. Contact identification numbers are for pin connectors. Socket identification numbers are reversed. See page 159 for size 8 coax, twinax, quadrax, and EI Ochito PC tail footprints.

Arrangement No. 22-44

40x #22HD and 4x #8 Contacts

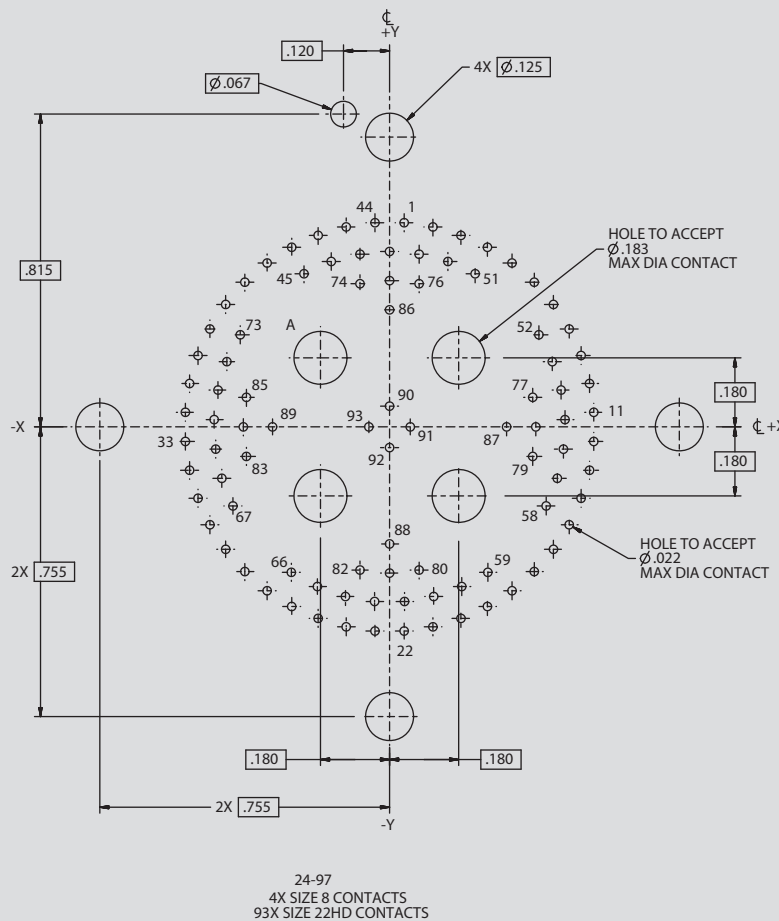


MICRO MINIATURE CIRCULAR
Series 806
Mil-Aero Connectors
 Size 22 and 8 combination PCB footprints



Recommended PCB Layouts are shown for the connector mounting side of PC board. Contact identification numbers are for pin connectors. Socket identification numbers are reversed. See page 159 for size 8 coax, twinax, quadrax, and El Ochito PC tail footprints.

Arrangement No. 24-97
 93 #22HD and 4 #8 Contacts



dimensions provided on following page



Recommended PCB Layouts are shown for the connector mounting side of PC board. Contact identification numbers are for pin connectors. Socket identification numbers are reversed.

ID NO	LOCATION		ID NO	LOCATION		ID NO	LOCATION	
	X	Y		X	Y		X	Y
1	0.038	0.532	32	-0.521	-0.113	63	-0.039	-0.455
2	0.113	0.521	33	-0.532	-0.038	64	-0.115	-0.442
3	0.186	0.499	34	-532	0.038	65	-0.188	-0.416
4	0.255	0.468	35	-0.521	0.113	66	-0.256	-0.379
5	0.319	0.427	36	-0.499	0.186	67	-0.408	-0.206
6	0.377	0.377	37	-0.468	0.255	68	-0.437	-0.134
7	0.427	0.319	38	-0.427	0.319	69	-0.453	-0.058
8	0.468	0.255	39	-0.377	0.377	70	-0.457	0.019
9	0.499	0.186	40	-0.319	0.427	71	-0.447	0.096
10	0.521	0.113	41	-0.255	0.468	72	-0.424	0.170
11	0.532	0.038	42	-0.186	0.499	73	-0.389	0.240
12	0.532	-0.038	43	-0.113	0.521	74	-0.077	0.373
13	0.521	-0.113	44	-0.038	0.532	75	0	0.381
14	0.499	-0.186	45	-0.223	0.399	76	0.077	0.373
15	0.468	-0.255	46	-0.152	0.431	77	0.373	0.077
16	0.427	-0.319	47	-0.077	0.450	78	0.381	0v
17	0.377	-0.377	48	0	0.457	79	0.373	-0.077
18	0.319	-0.427	49	0.077	0.450	80	0.077	-0.373
19	0.255	-0.468	50	0.152	0.431	81	0	-0.381
20	0.186	-0.499	51	0.223	0.399	82	-0.077	-0.373
21	0.113	-0.521	52	0.389	0.240	83	-0.373	-0.077
22	0.038	-0.532	53	0.424	0.170	84	-0.381	0
23	-0.038	-0.532	54	0.447	0.096	85	-0.373	0.077
24	-0.113	-0.521	55	0.457	0.019	86	0	0.305
25	-0.186	-0.499	56	0.453	-0.058	87	0.305	0
26	-0.255	-0.468	57	0.437	-0.134	88	0	-0.305
27	-0.319	-0.427	58	0.408	-0.206	89	-0.305	0
28	-0.377	-0.377	59	0.256	-0.379	90	0	0.054
29	-0.427	-0.319	60	0.188	-0.416	91	0.054	0
30	-0.468	-0.255	61	0.115	-0.442	92	0	-0.054
31	-0.499	-0.186	62	0.039	-0.455	93	-0.054	0

SERIES
806
MIL-AERO



Made in America: From Design Engineering to Component Part Manufacture and Assembly

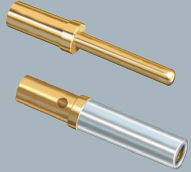
**Connector shells,
plating, inserts, contacts,
environmental seals, filter
arrays, assembly and test all
controlled in-house**



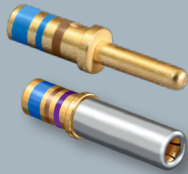
- Largest small form-factor connector engineering team in the industry
- Largest U.S. CNC metal turning operation in the high-rel interconnect industry
- Largest U.S. interconnect component part fabrication and assembly facility
- Massive same-day inventory of Mighty Mouse connectors and cables—bagged, tagged, and ready for immediate shipment

Other Signature Interconnect Technologies for Aircraft Electrical Wiring Interconnect Systems

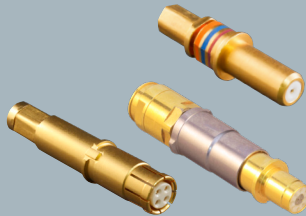
ELECTRICAL CONTACTS / SEALING CONTACTS



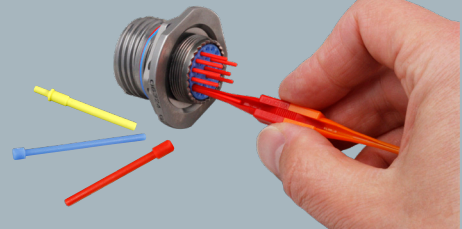
Standard and high-density signal



Extended-duty signal (up to 1500 cycles)



High-speed, RF, and El Ochoito® contacts

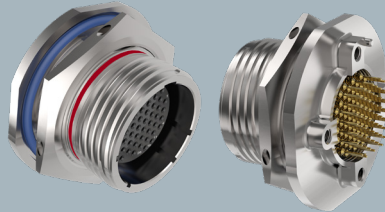


Lightweight sealing plugs and dummy sealing contacts

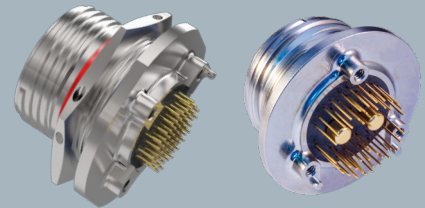
ULTRAMINIATURE CIRCULARS



Series 806 Mil-Aero: small form-factor equivalent for MIL-DTL-38999



Series 806 Mil-Aero glass-sealed hermetics



Series 806 Mil-Aero CODE RED-sealed hermetics

MIL-AERO CIRCULARS



QPL MIL-DTL-38999 Series III Suitable for Zones 1 and 2 only



SuperNine® MIL-DTL-38999 Series III + Better than QPL™ performance



SuperNine® MIL-DTL-38999 Series III + glass- and CODE RED-sealed hermetics

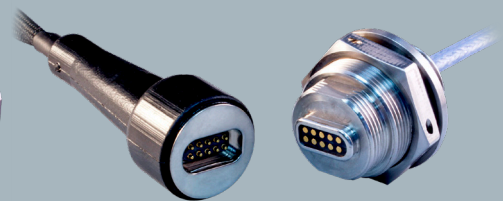
HIGH-SPEED DATALINK CONNECTORS



SuperSeal™ MIL-DTL-38999 RJ45



SuperSeal™ MIL-DTL-38999 USB 2.0

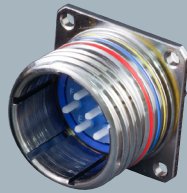


GateLink Pro high-speed data uplink

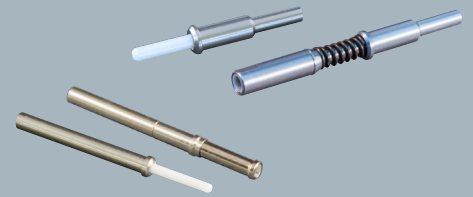
FIBER OPTICS



SuperNine® MIL-DTL-38999 Series III type tight-tolerance fiber optics



Series 806 Mil-Aero high-density fiber optics



Qualified fiber optic terminus

POWER CONNECTORS AND PRESSURE BOUNDARY FEEDTHRU



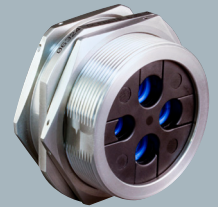
PowerLoad™ power distribution connectors



PowerLoad™ bulkhead feedthru



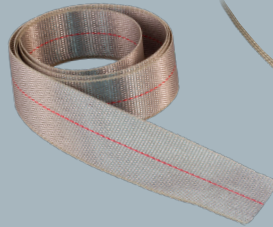
Pressure boundary and firewall feedthru



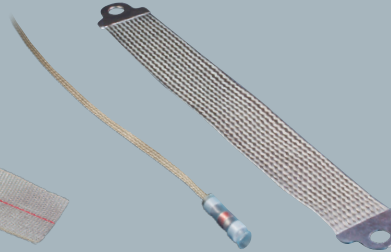
EMI/RFI BRAIDED SHIELDING AND PROTECTIVE COVERING



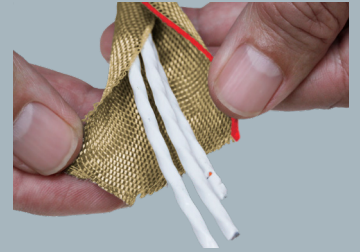
Band-Master ATS® advanced shield termination system



ArmorLite microfilament EMI/RFI shielding



Lightweight, flexible ground straps and HSTs



MasterWrap side-entry wraparound shielding

CONNECTOR BACKSHELLS AND ACCESSORIES



ProSeal spring-action protective covers



Environmental protective covers



Swing-Arm FLEX composite backsells

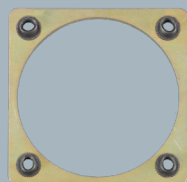


Swing-Arm standard and wide-mouth composite backsells

SPECIAL-PURPOSE EWIS TECHNOLOGIES



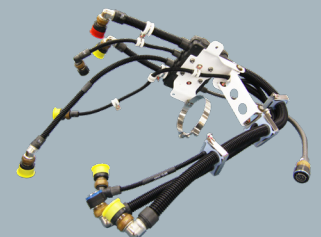
Advanced rectangular aviation backsells (ARINC 600 shown)



Receptacle / bulkhead connector nut plates



SpliceSaver time- and labor-saving wire splice replacement



Polymer- and metal-core conduit wire protection systems Suitable for Zones 5, 6, and 8



MISSION-CRITICAL INTERCONNECT SOLUTIONS

Glenair, Inc.

1211 Air Way • Glendale, California • 91201-2497

Telephone: 818-247-6000 • Fax: 818-500-9912 • sales@glenair.com

www.glenair.com

Glenair East

20 Sterling Drive
Wallingford, CT
06492

Telephone:
203-741-1115
Facsimile:
203-741-0053
sales@glenair.com

Glenair UK Ltd

40 Lower Oakham Way
Oakham Business Park
Mansfield, Notts
NG18 5BY England

Telephone:
+44-1623-638100
Facsimile:
+44-1623-638111
sales@glenair.co.uk

Glenair Microway Systems

7000 North Lawndale Avenue
Lincolnwood, IL
60712

Telephone:
847-679-8833
Facsimile:
847-679-8849

Glenair Nordic AB

Gustav III : S Boulevard 42
SE-169 27 Solna
Sweden

Telephone:
+46-8-50550000
sales@glenair.se

Glenair GmbH

Schaberweg 28
61348 Bad Homburg
Germany

Telephone:
06172 / 68 16 0
Facsimile:
06172 / 68 16 90
info@glenair.de

Glenair Iberica

C/ La Vega, 16
45612 Velada
Spain

Telephone:
+34-925-89-29-88
Facsimile:
+34-925-89-29-87
sales@glenair.es

Glenair Italia S.p.A.

Via Del Lavoro, 7
40057 Quarto Inferiore –
Granarolo dell'Emilia
Bologna, Italy

Telephone:
+39-051-782811
Facsimile:
+39-051-782259
info@glenair.it

Glenair France SARL

7, Avenue Parmentier
Immeuble Central Parc #2
31200 Toulouse
France

Telephone:
+33-5-34-40-97-40
Facsimile:
+33-5-61-47-86-10
sales@glenair.fr

Glenair Korea

6-21 Tapsil-ro 58beon-gil
Giheung-gu, Yongin-si
Gyeonggi-do
Republic of Korea

Telephone:
+82-07-5067-2437
Facsimile:
+82-504-375-4549
sales@glenair.kr

X-ON Electronics

Largest Supplier of Electrical and Electronic Components

Click to view similar products for [Circular MIL Spec Strain Reliefs & Adapters](#) category:

Click to view products by [Glenair](#) manufacturer:

Other Similar products are found below :

[0113-023-000](#) [620AB038Z136](#) [620FB038NF08](#) [620HA038NF09](#) [620HA038NF11](#) [620HA038NF13](#) [620HB049NF17](#) [620MS064NF12](#)
[620MS065ZNU06](#) [659943-000](#) [66241-10A](#) [CW0948-000](#) [CY0122-000](#) [70.360.1628.0](#) [703797-000](#) [F77132-000](#) [792625-000](#) [804567-000](#)
[807502-000](#) [808298-000](#) [G65062-12](#) [G8023-2013-9N](#) [G8187C2010-44N](#) [G8252-8NF](#) [G8377-21B](#) [G8377-21M](#) [97-282-18-10](#) [97-283-20](#)
[HEX40-AC-45S-11-A2-1](#) [MS3057-12A-624](#) [MS3057-20B](#) [MS3057-24A](#) [MS3057-6A-624](#) [E73614-000](#) [MS3417-14A](#) [MS3417-14G](#)
[MS3417-16A](#) [MS3417-16C](#) [MS3417-28N](#) [MS3418-16A](#) [MS3418-18N](#) [192900-0106](#) [HXS120-AC-90-17-A1-1](#) [214607-000](#) [958955-000](#)
[294001-000](#) [97-67-16-4](#) [ACT00AB-E-EL51S](#) [201M118-19G](#) [201M914-19C](#)