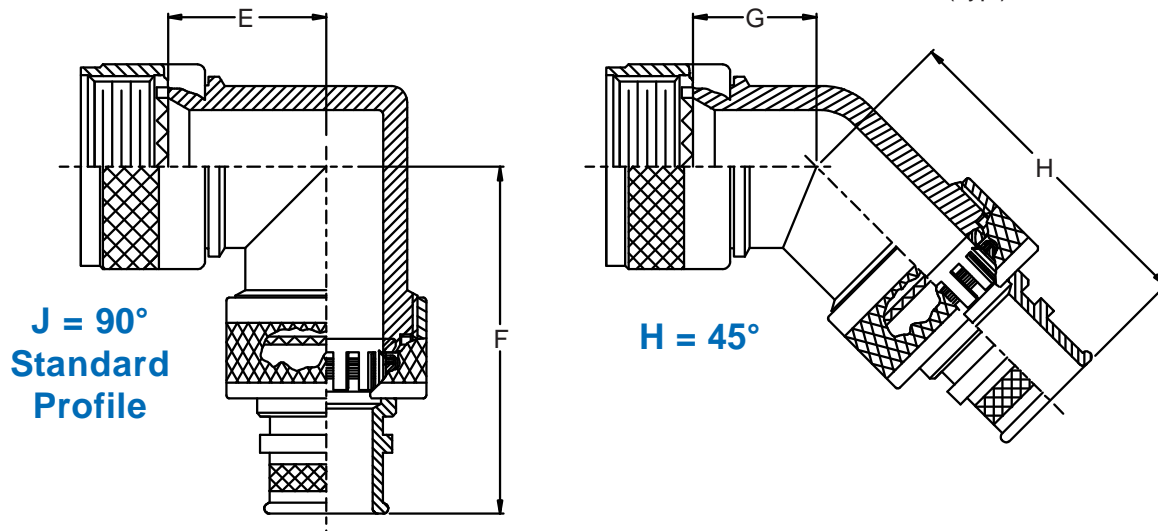
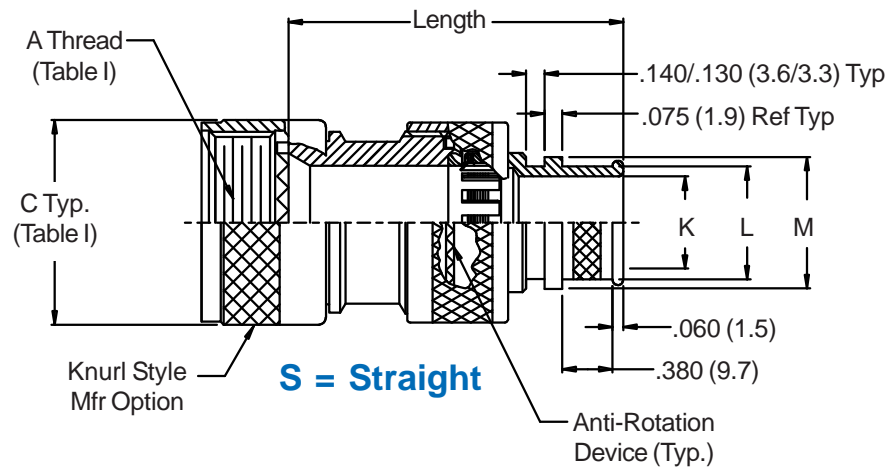
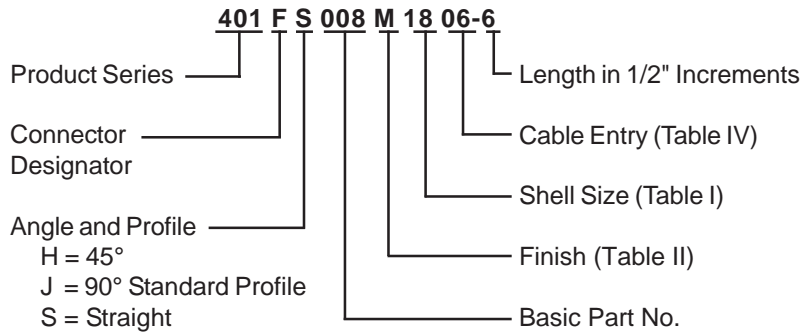


**CONNECTOR
 DESIGNATORS**
A-F-L-H

**ROTATABLE
 COUPLING**



401-008
TAG® Ring Backshell
 with EMI/RFI Shield Termination Band Adapter
 Rotatable Coupling - Standard Profile



See inside back cover
 fold-out or pages 13 and
 14 for Tables I and II.

TABLE III: ELBOW DIMENSIONS

Shell Size		E Max	F Max	G Max	H Max
Conn. Desig.	H				
A-F-L	H				
08	09	.750 (19.1)	2.332 (59.2)	.639 (16.2)	2.222 (56.4)
10	11	.810 (20.6)	2.392 (60.8)	.664 (16.9)	2.252 (57.2)
12	13	.870 (22.1)	2.452 (62.3)	.688 (17.5)	2.272 (57.7)
14	15	.920 (23.4)	2.522 (64.1)	.705 (17.9)	2.302 (58.5)
16	17	.980 (24.9)	2.582 (65.6)	.732 (18.6)	2.322 (59.0)
18	19	1.020 (25.9)	2.602 (66.1)	.748 (19.0)	2.332 (59.2)
20	21	1.080 (27.4)	2.662 (67.6)	.733 (18.6)	2.352 (59.7)
22	23	1.140 (29.0)	2.702 (68.6)	.800 (20.3)	2.392 (60.8)
24	25	1.200 (30.5)	2.812 (71.4)	.823 (20.9)	2.422 (61.5)

TABLE IV: CABLE ENTRY

Entry Size	K	L	M
01	.125 (3.2)	.250 (6.4)	.312 (7.9)
31	.188 (4.8)	.312 (7.9)	.374 (9.5)
02	.250 (6.4)	.375 (9.5)	.437 (11.1)
32	.312 (7.9)	.438 (11.1)	.500 (12.7)
03	.375 (9.5)	.500 (12.7)	.562 (14.3)
33	.438 (11.1)	.562 (14.3)	.624 (15.8)
04	.500 (12.7)	.625 (15.9)	.687 (17.4)
34	.562 (14.3)	.688 (17.5)	.750 (19.1)
05	.625 (15.9)	.750 (19.1)	.812 (20.6)
35	.688 (17.5)	.812 (20.6)	.874 (22.2)
06	.750 (19.1)	.875 (22.2)	.937 (23.8)
36	.812 (20.6)	.938 (23.8)	1.000 (25.4)
07	.875 (22.2)	1.000 (25.4)	1.062 (27.0)
37	.938 (23.8)	1.062 (27.0)	1.124 (28.5)
08	1.000 (25.4)	1.125 (28.6)	1.187 (30.1)
38	1.062 (27.0)	1.188 (30.2)	1.250 (31.8)
09	1.125 (28.6)	1.250 (31.8)	1.312 (33.3)
10	1.250 (31.8)	1.375 (34.9)	1.437 (36.5)
11	1.375 (34.9)	1.500 (38.1)	1.562 (39.7)

1. For effective grounding, connector with conductive finish should be used.
2. Metric dimensions (mm) are indicated in parentheses.
3. Cable range is defined as the accommodations range for the wire bundle or cable. Dimensions shown are not intended for inspection criteria.

X-ON Electronics

Largest Supplier of Electrical and Electronic Components

Click to view similar products for [Circular MIL Spec Backshells](#) category:

Click to view products by [Glenair](#) manufacturer:

Other Similar products are found below :

[5M2919-3DW](#) [5M2953-1HW](#) [5PTC0023-28C](#) [5PTV7106-AC](#) [5PTV7107-HC](#) [610HS012M15](#) [CS7360-000](#) [655HS002NF11](#) [70D1-18-06-1-C](#) [801-005-02Z19-19PA](#) [FRCIR020R-16-10P-F80-T108-VO](#) [FRCIR06AF-32-22S-F80-T109](#) [8D105B02](#) [R49630-40A-60](#) [1234-258-09228](#) [1234-259-19228](#) [1234-259-23192](#) [1234-259-25192](#) [1234-279-23192](#) [1234-206-11192](#) [1234-206-19228](#) [1234-259-11192](#) [1234-259-21228](#) [1234-279-09228](#) [1234-279-19228](#) [1234-279-23228](#) [1234-281-23228](#) [136777-000](#) [BACC10GH08](#) [BACC10GH20](#) [BACC10HG24C](#) [BACC10JP22B](#) [NEM-BS-144-N](#) [NEM-BS-145-N](#) [189HS011-15053](#) [189HS016NF1907-3](#) [205M520-19C](#) [C8824-3W25](#) [91A3-20-11-1-B-HE200](#) [S3-2961834W6.0-9](#) [189HS016NF1105-3](#) [189HS016NF2111-3](#) [CIR06R-32-7P-F80-T104](#) [290WS003G-1406H3](#) [HE308351510167M](#) [320HA001NF09](#) [320HA001NF15](#) [320HB001NF15](#) [320HS001M158](#) [340HS001M13-5N](#)