



SERIES 77 Metal Shrink Boot Adapters



319-001 Low Profile EMI/RFI Adapter with Rotatable Coupling and Shield Sock

How to Order									
Sample Part Number	319	F	S	001	M	16	06	-6	T
Product Series	319								
Connector Designator	See connector designator table								
Angular Function	B = 45° A = 90° S = straight								
Basic Part Number	001								
Finish Symbol	B = cadmium plate, olive drab C = anodize, black G = hard coat, anodic M = electroless nickel NF = cadmium plate, olive drab over electroless nickel								
Shell Size	See dimensions table								
Cable Entry Dash No.	See cable entry dash number table								
Shield Length	1-inch increments, minimum 4 Inches								
Shrink Boot	Omit for none; see cable entry and shrink boot table								



Add "T" to Part Number for Standard Boot

Connector Designator	
A	MIL-DTL-5015, -26482, Series II and -83723 Series I and III
F	MIL-DTL-38999 Series I, II
H	MIL-DTL-38999 Series III and IV
L	LN29729
S	PATT 105, PATT 603, PATT 608
ROTATABLE COUPLING	

Dimensions					
Shell Size - Conn. Desig.		F Max	G Max	H Max	J Max
A-F-L-S	H				
08	09	.457 (11.6)	1.710 (43.4)	.500 (12.7)	1.730 (43.9)
10	11	.520 (13.2)	1.770 (45.0)	.595 (15.1)	1.850 (47.0)
12	13	.582 (14.8)	1.830 (46.5)	.610 (15.5)	1.870 (47.5)
14	15	.645 (16.4)	1.920 (48.8)	.700 (17.8)	1.940 (49.3)
16	17	.738 (18.7)	2.030 (51.6)	.885 (22.5)	2.030 (51.6)
18	19	.926 (23.5)	2.220 (56.4)	.975 (24.8)	2.200 (55.9)
20	21	.926 (23.5)	2.220 (56.4)	.975 (24.8)	2.200 (55.9)
22	23	1.020 (25.9)	2.370 (60.2)	1.125 (28.6)	2.310 (58.7)
24	25	1.020 (25.9)	2.370 (60.2)	1.125 (28.6)	2.310 (58.7)
28		1.145 (29.1)	2.420 (61.5)	1.225 (31.1)	2.480 (63.0)
32		1.207 (30.7)	2.520 (64.0)	1.575 (40.0)	2.730 (69.3)
36		1.238 (31.4)	2.610 (66.3)	1.775 (45.1)	2.730 (69.3)

NOTES

1. See Table I on page G-4 for connector designator interface dimensions
2. Cable Entry is defined as the accommodation range for the wire bundle or cable. Dimensions shown are not intended for inspection criteria.
3. O-Ring not supplied with Connector Designator A.
4. When maximum entry is exceeded, Style 2 will be supplied and dimensions F, G, H and J will not apply. Please consult factory.
5. Standard Boot Kit includes a straight lipped, type 1 material boot without adhesive. For additional material adhesive options order separately from section B
6. Glenair 600 series backshell assembly tools are recommended for assembly and installation
7. Recovered dimension apply to unrestricted recovery. Dimensions may differ than shown when boots are installed over assembly

G

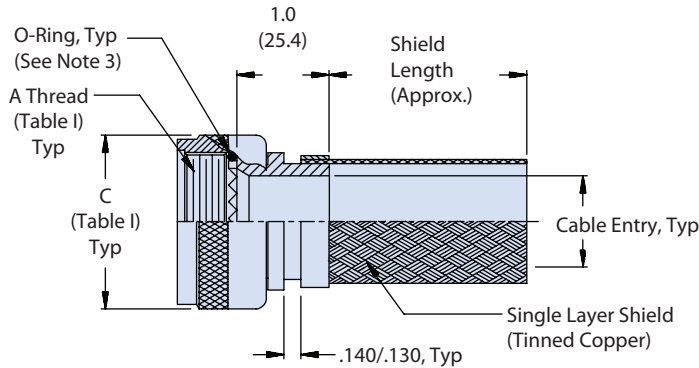


SERIES 77 Metal Shrink Boot Adapters

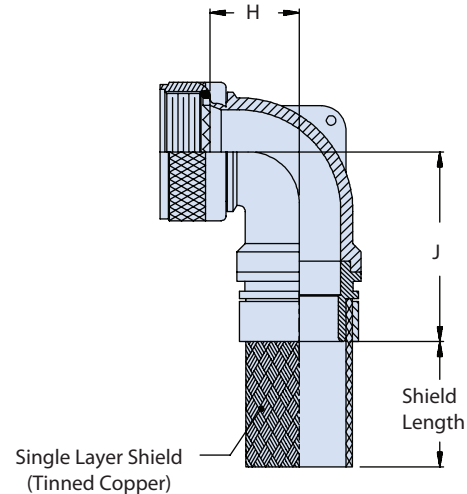


319-001 Low Profile EMI/RFI Adapter with Rotatable Coupling and Shield Sock

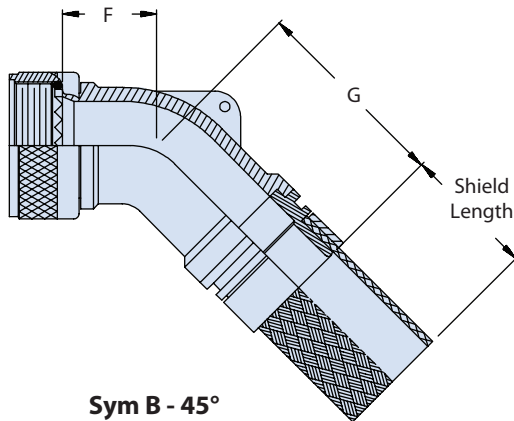
See Pages G-4 and G-5 for Adapter Interface Dimensions



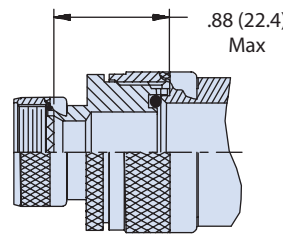
Sym S - Straight



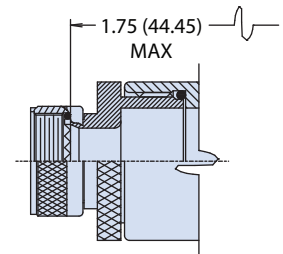
Sym A - 90°



Sym B - 45°



STYLE II
(45 and 90°)
See Note 4



STYLE II
(STRAIGHT ONLY)
See Note 4

Cable Entry and Shrink Boot					
Dash No.	Cable Entry	Shrink Boot Part Number	Dash No.	Cable Entry	Shrink Boot Part Number
01	.188 (4.8)	N/A	13	.938 (23.8)	770-001S106
02	.250 (6.4)	N/A	14	1.000 (25.4)	770-001S106
03	.312 (7.9)	770-001S103	15	1.250 (31.8)	770-001S107
04	.375 (9.5)	770-001S103	16	1.500 (38.1)	770-001S108
05	.438 (11.1)	770-001S103	17	1.750 (44.5)	770-001S108
06	.500 (12.7)	770-001S104	18	2.000 (50.8)	770-001S109
07	.562 (14.3)	770-001S104	19	1.125 (28.6)	770-001S107
08	.625 (15.9)	770-001S104	20	1.375 (34.9)	770-001S107
09	.688 (17.5)	770-001S105	21	1.625 (41.3)	770-001S108
10	.750 (19.1)	770-001S105	22	1.062 (27.0)	770-001S106
11	.812 (20.6)	770-001S105	23	1.188 (30.2)	770-001S107
12	.875 (22.2)	770-001S106	24	1.875 (47.6)	770-001S109



X-ON Electronics

Largest Supplier of Electrical and Electronic Components

Click to view similar products for [Circular MIL Spec Strain Reliefs & Adapters](#) category:

Click to view products by [Glenair](#) manufacturer:

Other Similar products are found below :

[0113-023-000](#) [620AB038Z136](#) [620FB038NF08](#) [620HA038NF09](#) [620HA038NF11](#) [620HA038NF13](#) [620HB049NF17](#) [620MS064NF12](#)
[620MS065ZNU06](#) [659943-000](#) [66241-10A](#) [CW0948-000](#) [CY0122-000](#) [70.360.1628.0](#) [703797-000](#) [F77132-000](#) [792625-000](#) [804567-000](#)
[807502-000](#) [808298-000](#) [G65062-12](#) [G8023-2013-9N](#) [G8187C2010-44N](#) [G8252-8NF](#) [G8377-21B](#) [G8377-21M](#) [97-282-18-10](#) [97-283-20](#)
[HEX40-AC-45S-11-A2-1](#) [MS3057-10A-624](#) [MS3057-12A-624](#) [MS3057-20B](#) [MS3057-24A](#) [MS3057-6A-624](#) [E73614-000](#) [MS3417-14A](#)
[MS3417-14G](#) [MS3417-16A](#) [MS3417-16C](#) [MS3417-28N](#) [MS3418-16A](#) [MS3418-18N](#) [192900-0106](#) [HXS120-AC-90-17-A1-1](#) [214607-000](#)
[958955-000](#) [294001-000](#) [97-67-16-4](#) [ACT00AB-E-EL51S](#) [201M118-19G](#)