

HOW TO ORDER:

EXAMPLE: 232-001 P 9 - 35 P N

BASIC NO _____

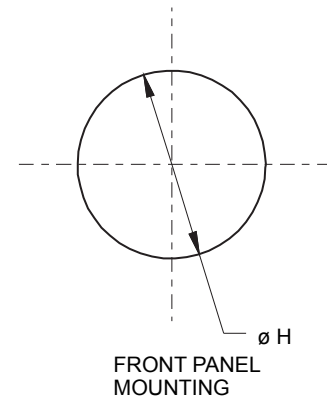
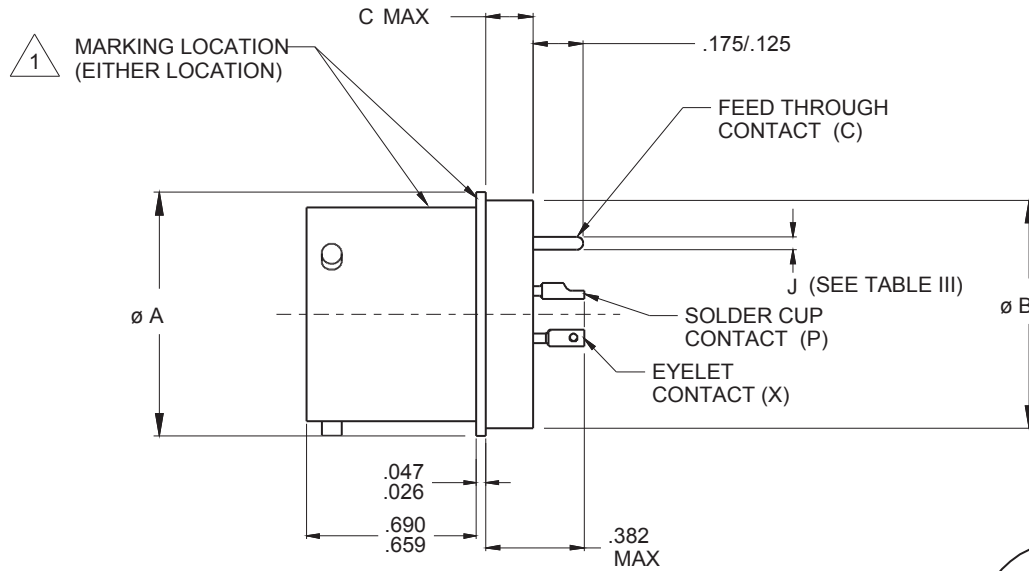
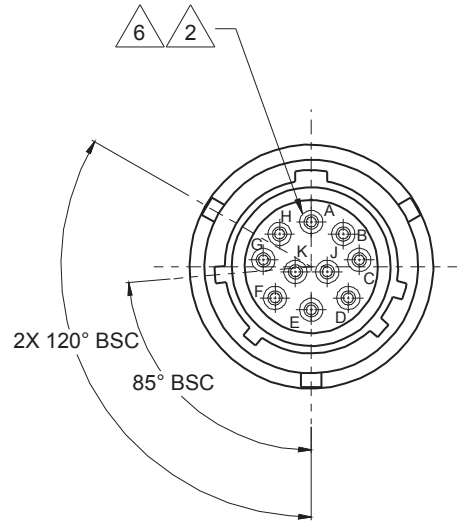
MAT'L & FINISH _____
 FT= CARBON STEEL, FUSED TIN
 P = CRES, NICKEL FINISH
 Z1 = CRES, PASSIVATED

SHELL SIZE _____

INSERT ARRANGEMENT $\triangle 2$ _____

CONTACT STYLE: _____
 P = PIN, SOLDER CUP
 X = PIN, EYELET
 C = PIN, FEED THROUGH

POLARIZATION _____
 A, B, C, D (N = NORMAL)



RECOMMENDED MOUNTING HOLES
 FOR WALL MOUNT RECEPTACLES

232-001
Hermetic Receptacle, Solder Mount
MIL-DTL-38999 Series I



MIL-DTL-38999

TABLE II: LAYOUTS

PATTERN	22D	20	16	12
9-98		3		
9-35	6			
11-4		4		
11-5		5		
11-98		6		
11-99		7		
11-35	13			
11-2			2	
13-4			4	
13-8		8		
13-98		10		
13-35	22			
15-5			5	
15-15		14	1	
15-18		18		
15-19		19		
15-97		8	4	
15-35	37			
17-6				6
17-8			8	
17-26		26		
17-99		21	2	
17-35	55			
19-11			11	
19-28		26	2	
19-30		29	1	
19-32		32		
19-35	66			
19-45	67			
21-11				11
21-16			16	
21-24		24		
21-25		25		
21-27		27		
21-41		41		
21-39		37	2	
21-35	79			
23-35	100			
23-21			21	
23-32		32		
23-34		34		
23-36		36		
23-53		53		
23-97			16	
23-99			11	
23-55		55		
25-35	128			
25-29			29	
25-61		61		
25-4		48	8	
25-43		23	20	
25-19				19
25-24			12	12

TABLE I: CONNECTOR DIMENSIONS

SHELL SIZE	ø A ±.016 (0.4)	ø B	C MAX	ø H ±.005 (0.1)
9	.750 (19.1)	.673 (17.1) .667 (16.9)	.187 (4.7)	.680 (17.3)
11	.844 (21.4)	.782 (19.9) .776 (19.7)		.789 (20.0)
13	.969 (24.6)	.907 (23.0) .901 (22.9)		.914 (23.2)
15	1.094 (27.8)	1.032 (26.2) 1.027 (26.1)		1.038 (26.4)
17	1.218 (30.9)	1.157 (29.4) 1.151 (29.2)		1.164 (29.6)
19	1.312 (33.3)	1.251 (31.8) 1.245 (31.6)		1.258 (32.0)
21	1.438 (36.5)	1.376 (35.0) 1.370 (34.8)	.218 (5.5)	1.383 (35.1)
23	1.563 (39.7)	1.501 (38.1) 1.495 (38.0)		1.508 (38.3)
25	1.688 (42.9)	1.626 (41.3) 1.620 (41.1)		1.643 (41.7)

TABLE III: CONTACT SIZE

CONTACT SIZE	ø J
22D	.011 (0.3)
	.015 (0.4)
20	.024 (0.6)
	.028 (0.7)
16	.0635 (1.6)
	.0615 (1.6)
12	.095 (2.4)
	.093 (2.4)

NOTES:

- 1 ASSEMBLY IDENTIFIED WITH GLENAIR'S NAME, PART NO AND DATE CODE
- 2 INSERT ARRANGEMENTS IN ACCORDANCE WITH MIL-STD-1560, SEE TABLE II.
3. GLENAIR 232-001 RECEPTACLE CONNECTOR IS DESIGNED TO MATE WITH ANY QPL MANUFACTURER'S MIL-C-38999 SERIES I PLUG CONNECTOR HAVING THE SAME INSERT ARRANGEMENT AND POLARIZATION.
4. MATERIAL/FINISH:
SHELL - CRES/PASSIVATED CRES/NICKEL PLATED PER QQ-N-290, OR CARBON STEEL / FUSED TIN.
CONTACTS - NICKEL IRON ALLOY 52/GOLD PLATED
INSULATOR - FUSED VITREOUS GLASS/N.A.
SEALS - FLUOROSILICONE RUBBER/N.A.
- 5 INSERT ARRANGEMENT SHOWN FOR REFERENCE ONLY.
6. GLENAIR'S 232-001 SAME AS MS27471.

X-ON Electronics

Largest Supplier of Electrical and Electronic Components

Click to view similar products for [Circular MIL Spec Connector](#) category:

Click to view products by [Glenair](#) manufacturer:

Other Similar products are found below :

[89075GULPR](#) [0025-262-542](#) [0025-264-3014](#) [58-570121-04S](#) [0134-213-1208](#) [0134-213-2209](#) [0025-258-000](#) [60-042022-07P](#) [60-042022-19P](#)
[60-042022-23P](#) [60-042217-10P](#) [0114-201-1278](#) [012-0467-000](#) [602GB06EG24-61SN](#) [0134-201-1207](#) [0134-213-1006](#) [6104-207-2302](#) [6104-](#)
[208-1902](#) [61-168211-04P](#) [61-168617-10P](#) [6131-202-19149P](#) [6131-204-21149P](#) [6131-208-13149P](#) [6131-209-17149P](#) [6131-210-11149P](#) [6131-](#)
[211-19149P](#) [6131-216-19149P](#) [6131-259-21149P](#) [6131-259-23149P](#) [6131-265-17149P](#) [6131-265-19149P](#) [CS3100A18-1P-472](#) [CS3100A-36-](#)
[77P](#) [CS3101A-16-55P](#) [CS3102A-10SL-55P](#) [CS3102A-14S-58P](#) [CS3102A-32-17P](#) [CS3102A32-25S](#) [CS3102C18-4P-472](#)
[CS3106A10SL3S004](#) [CS3106A-18-73S](#) [CS3108A-14S-52S](#) [CS3108A-28-51S](#) [6162-233-1277](#) [6162-324-1231](#) [M243082296Z](#)
[M2884010AC1S1](#) [CT0-24-10SC](#) [CT0M20-7PCAU](#) [M28840/17AC1G3](#)