

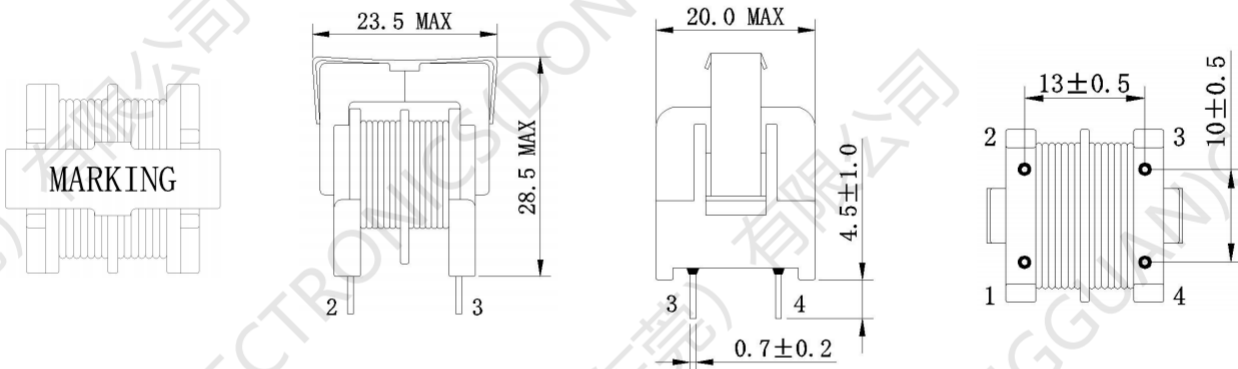
## AC Common Mode Choke FC-UU16-452-3.5A-LF

### Features:

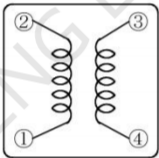
1. 23.5×20.0mm Max.(L×W), 28.5mm Max. Height
2. Inductance range: 4.5mH
3. turns Ratio: 1:1
4. Rated Current: 3.5A
5. Insulation Test Voltage: 1000VAC
6. Application: Ideally used as AC common mode noise filter for TV, VCR, Switching power supply, NC machine, PC&PC related advice, measurement and control unit with better attenuation characteristics in low frequency band.
7. Operating temperature: -40 °C to +125 °C



### 1. Dimensions:mm

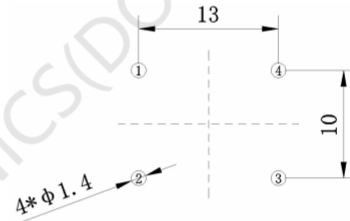


### 2. Schematic:



- \* Winding start is #1,#4 or #2,#3.
- \* #1&#4, #2&#3 : should be same polarity.

### 3. Recommened Land Pattern: mm



### 4. Electrical Properties

NO.	ITEMS	MEASURING POINT	TECHNICAL DATA	TEST CONDITION	INSTRUMENT
1	Inductors	N1=N2	4.5mH /MIN	1KHz, 1V, 25°C	HP4284A
2	IR	COIL~CORE	100Mohm MIN	DC500V	MF2511
3	turns Ratio	N1:N2	1:1	20KHz, 1V, 25°C	TH3250
4	DCR	N1=N2	145mΩ /MAX	25°C	CH502
5	Insulation Test Voltage	COIL => COIL	1000V/AC	50Hz 5mA 3S	CJ2670
6	Rated Current	N1/N2	3.5A	/	6240

Ambient temperature : -40°C to +85°C  
 Operating temperature: -40°C to +125°C

## X-ON Electronics

Largest Supplier of Electrical and Electronic Components

*Click to view similar products for [Common Mode Chokes / Filters](#) category:*

*Click to view products by [FANGCHENG](#) manufacturer:*

Other Similar products are found below :

[PE-64683](#) [RD5122-6-9M6](#) [RD6137-6-7M5](#) [RD8147-16-3M0](#) [ST6118T-R](#) [FE3X025-10-7NL](#) [RD7147-25-0M7](#) [TCM0806G-350-2P-T](#)  
[TCM0806G-650-2P-T](#) [IND-0110](#) [UAL21VR0802000](#) [UALSC023000000](#) [UALSC1020JH000](#) [UALSU10VD20010](#) [UALSU9VD070100](#) [36-00037](#) [UALW21HS072450](#) [UALSU9H0208000](#) [UAL24VK06450CH](#) [PLT10HH501100PNB](#) [PLT10HH401100PNB](#) [PLT10HH1026R0PNB](#)  
[36-00029-01](#) [PE-67531](#) [TLH10UB](#) [113 0R5](#) [2752045447](#) [7351V](#) [CMF16-153131](#) [RD7147-6-6M0](#) [T8116NLT](#) [FE2X10-4-2NL](#) [36-00029-07](#)  
[T8003NLT](#) [CTX01-13663](#) [CTX66-19521-R](#) [RC212-0.5-10M](#) [RC112-0.4-15M](#) [RC212-0.6-6M8](#) [RC212-0.4-15M](#) [RC112-0.3-30M](#)  
[WTCF2012Z0M751PB](#) [PH9408.814NLT](#) [PAC6006.364NLT](#) [PAC6006.444NLT](#) [PAC6006.204NLT](#) [PH9407.204NLT](#) [PAC6006.264NLT](#)  
[PH9408.494NLT](#) [PAC6006.104NLT](#) [CM6350R-683-REEL](#)