

Current Compensated Ring Core Double Chokes FC-LSFW-Series

FC-LSFW2012- 4532-Series

Features:

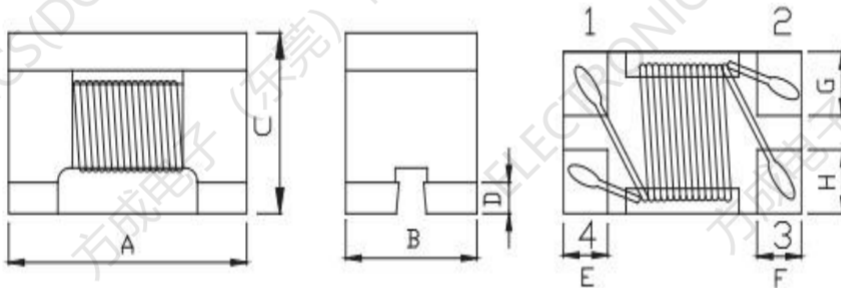
- 1.SFW2012 realizes small size and low profile
- 2.High common mode impedance at high suppressionperformance
- 3.Suitable for differential signal line likeUSB2.0,IEEE 1394 and LVDS
- 4.Lead is not contained in the product



Applications:

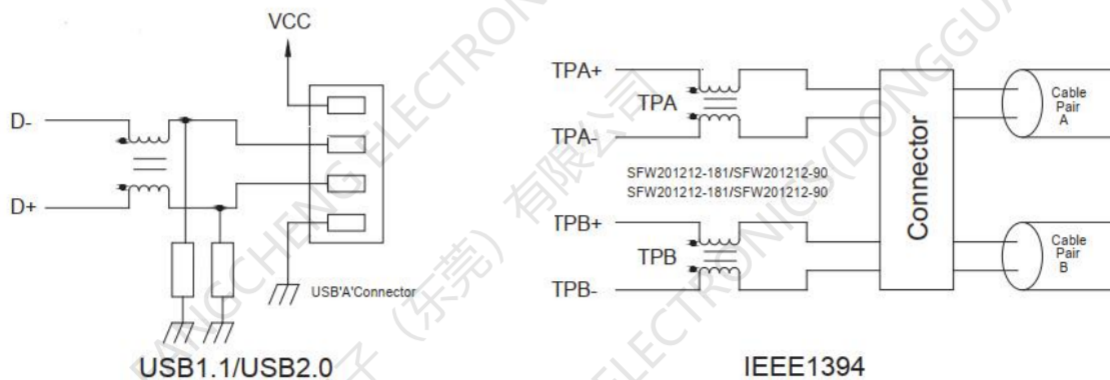
- 1、 Common noise suppression of signal lines in high speed and high density digital equipment such as personal computers and peripherals
- 2、 Ideal for use as common-mode chokes forUSB1.1/USB2.0/IEEE1394 interface

1.SHAPES AND DIMENSIONS Unit:mm



PartNumber	A	B	C	D	E(ref)	F(ref)	G(ref)	H(ref)
FC-LSFW2012	2.0±0.2	1.2±0.2	1.2±0.2	0.17±0.2	0.45	0.45	0.4	0.4
FC-LSFW3216	3.2±0.2	1.6±0.2	1.6±0.2	0.17±0.2	0.6	0.6	0.6	0.6
FC-LSFW3225	3.2±0.2	2.5±0.2	2.7±0.2	0.17±0.2	0.6	0.6	0.9	0.9
FC-LSFW4532	4.5±0.2	3.2±0.2	2.8±0.2	0.2±0.2	1.0	1.0	1.2	1.2

2.Application Fig:



Current Compensated Ring Core Double Chokes LSFW-Series

3. LSFW2012-SERIES ELECTRICAL CHARACTERISTIC

PART Number	Common-Mode Impedance Z(Ω) At 100MHz	Resistance Current Idc (Ω)max	Rated Current Idc (mA)max	Rated Voltage Vdc(V)	Withstanding Voltage Vdc(V)	Insulation Resistance (MΩ)min
FC-LSFW2012-670-2P-R	67±25%	0.25	400	50	125	10
FC-LSFW2012-900-2P-R	90±25%	0.35	330	50	125	10
FC-LSFW2012-121-2P-R	120±25%	0.30	370	50	125	10
FC-LSFW2012-181-2P-R	180±25%	0.35	330	50	125	10
FC-LSFW2012-261-2P-R	260±25%	0.40	300	50	125	10
FC-LSFW2012-371-2P-R	370±25%	0.45	280	50	125	10

4. LSFW3216-SERIES ELECTRICAL CHARACTERISTICS

FC-LSFW3216-900-2P-R	90±25%	0.3	370	50	125	10
FC-LSFW3216-161-2P-R	160±25%	0.4	340	50	125	10
FC-LSFW3216-261-2P-R	260±25%	0.5	310	50	125	10
FC-LSFW3216-601-2P-R	600±25%	0.8	260	50	125	10
FC-LSFW3216-102-2P-R	1000±25%	1.0	230	50	125	10
FC-LSFW3216-222-2P-R	2200±25%	1.2	220	50	125	10

5. LSFW3225-SERIES ELECTRICAL CHARACTERISTICS

FC-LSFW3225-800-2P-R	80±25%	0.15	400	50	125	10
FC-LSFW3225-161-2P-R	160±25%	0.20	350	50	125	10
FC-LSFW3225-271-2P-R	270±25%	0.30	300	50	125	10
FC-LSFW3225-102-2P-R	1000±25%	0.50	200	50	125	10

6. LSFW4532-SERIES ELECTRICAL CHARACTERISTICS

PART-Number	Common-Mode Impedance Z(Ω) At 100MHz	Resistance Current Idc (Ω)max	Rated Current Idc (mA)max	Rated Voltage Vdc(V)	Insulation Resistance (MΩ)min
FC-LSFW4532-800S	80±25%	0.07	3.0	50	10
FC-LSFW4532-121S	120±25%	0.07	3.0	50	10
FC-LSFW4532-201S	200±25%	0.10	2.0	50	10
FC-LSFW4532-601S	600±25%	0.30	1.5	50	10
FC-LSFW4532-801S	800±25%	0.35	1.0	50	10
FC-LSFW4532-102S	1000±25%	0.40	1.0	50	10

X-ON Electronics

Largest Supplier of Electrical and Electronic Components

Click to view similar products for [Common Mode Chokes / Filters](#) category:

Click to view products by [FANGCHENG](#) manufacturer:

Other Similar products are found below :

[PE-64683](#) [RD6137-6-7M5](#) [RD8147-16-3M0](#) [ST6118T-R](#) [FE3X025-10-7NL](#) [RD7147-25-0M7](#) [UAL21VR0802000](#) [UALSC023000000](#)
[UALSC1020JH000](#) [UALSU10VD20010](#) [UALSU9VD070100](#) [36-00037](#) [UALW21HS072450](#) [UALSU9H0208000](#) [UAL24VK06450CH](#)
[PLT10HH501100PNB](#) [PLT10HH401100PNB](#) [PE-67531](#) [2752041447](#) [2752045447](#) [7351V](#) [CMF16-153131](#) [RD7147-6-6M0](#) [T8116NLT](#)
[FE2X10-4-2NL](#) [T8003NLT](#) [CTX66-19521-R](#) [RC112-0.4-15M](#) [RC212-0.6-6M8](#) [RC212-0.4-15M](#) [RC112-0.3-30M](#) [4534-3](#)
[PAC6006.364NLT](#) [PAC6006.444NLT](#) [PAC6006.104NLT](#) [B82723A2102N001](#) [CUW43T-513T-AU](#) [CUW43T-104T-AU](#) [SCM9250-400N](#)
[SCM9250-510N](#) [FA010G00](#) [GA021G00](#) [GA030G00](#) [MA020G00](#) [QA021G00](#) [APPM00070638301XY0](#) [APPM00070638501XY0](#)
[AWCU00321619222M02](#) [FA040G00](#) [PAC6034.205NLT](#)