

## FC-LCL 2208-231-16A Common Mode Line Filter

### FC-LCL2208-231-16A –Series

Low Primary DCR version

High current carrying capacity

Low profile, AC/DC converter

High frequency DC/DC converter

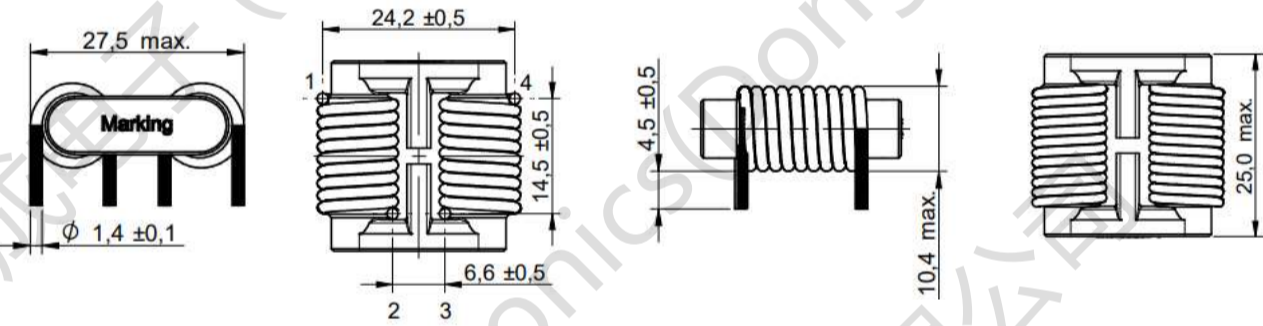
Ambient temperature  $-40^{\circ}\text{C}$  to  $+85^{\circ}\text{C}$

Storage temperature Component:  $-40^{\circ}\text{C}$  to  $+125^{\circ}\text{C}$ .

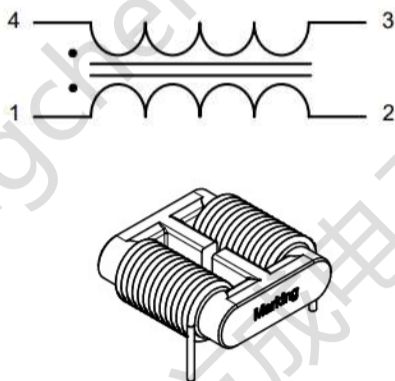
Stable stray inductor for common difference mode differential mode filtering.



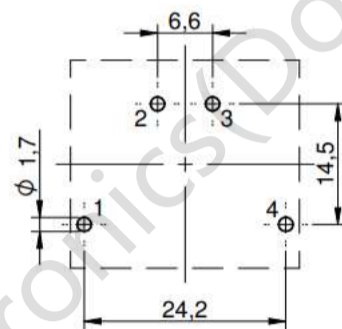
### 1. Dimensions:mm



### 2.Schematic:



### 3.LAYOUT RECOMMENDATION:(mm)





# 方成电子（东莞）有限公司

## FC-LCL 2208-231-16A Common Mode Line Filter

### 4. ELECTRIC CHARACTERISTICS

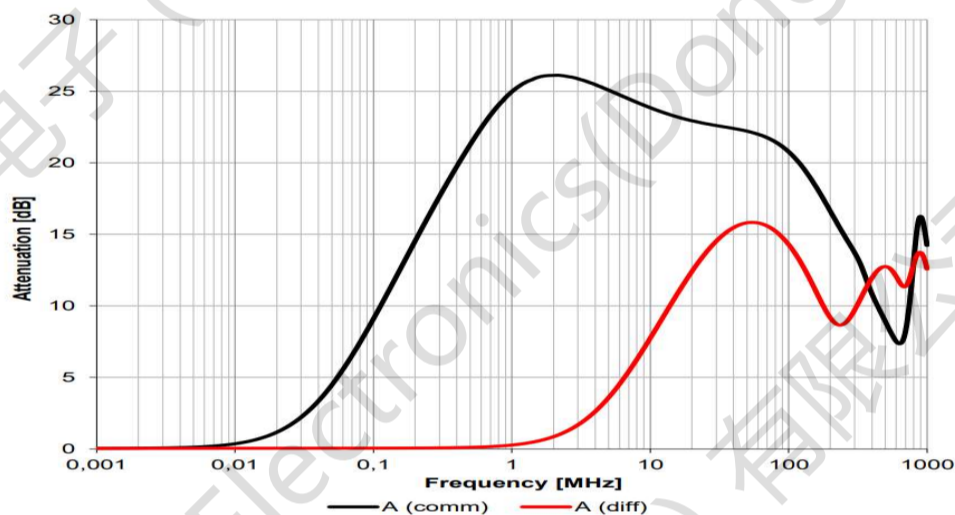
Part Number	Turns Ration	Inductance (uH)	LK(uH) Typ.(4-3 short)	RDC (mΩ)MAX	Rated Current (A)
				1-2	
FC-LCL2208-231-16A-LF	1:1	230±40%	8.7	4-3	16.0
				3.6	

Electrical Specifications @ 25°C — Operating Temperature -40°C to +125°C.

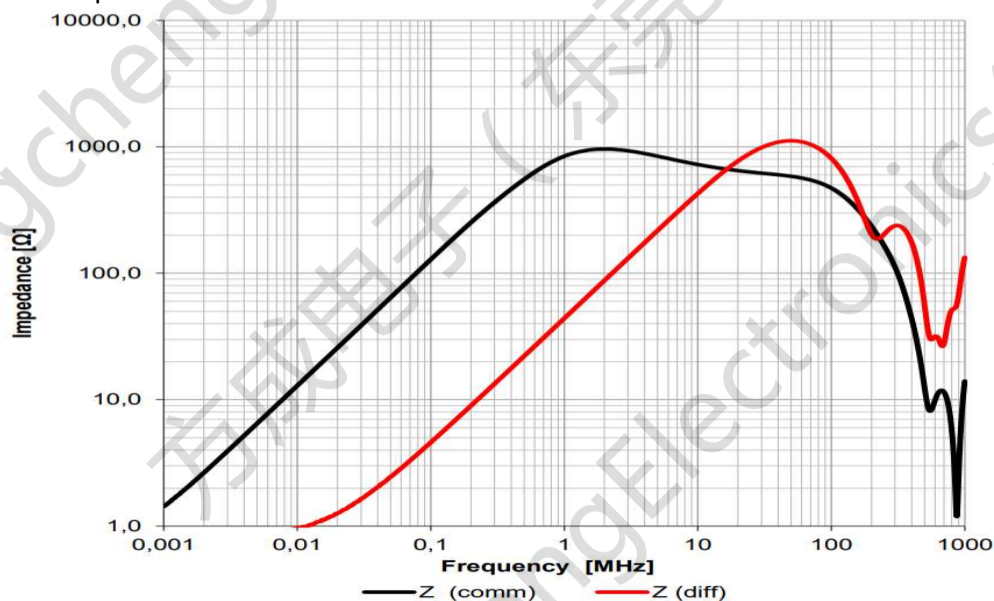
Test equipment : Inductance 100KHZ/0.1V

Rated voltage :250V、AC; Hi-Pot ( N1-N2 ) : 1500 Vac / 60 Hz , 5 mA / 3sec

### 5. Typical Insertion Loss:



### 6. Typical Impedance Characteristics:



## X-ON Electronics

Largest Supplier of Electrical and Electronic Components

*Click to view similar products for [Common Mode Chokes / Filters](#) category:*

*Click to view products by [FANGCHENG](#) manufacturer:*

Other Similar products are found below :

[PE-64683](#) [RD6137-6-7M5](#) [RD8147-16-3M0](#) [ST6118T-R](#) [FE3X025-10-7NL](#) [RD7147-25-0M7](#) [UAL21VR0802000](#) [UALSC023000000](#)  
[UALSC1020JH000](#) [UALSU10VD20010](#) [UALSU9VD070100](#) [36-00037](#) [UALW21HS072450](#) [UALSU9H0208000](#) [UAL24VK06450CH](#)  
[PLT10HH501100PNB](#) [PLT10HH401100PNB](#) [PE-67531](#) [2752041447](#) [2752045447](#) [7351V](#) [CMF16-153131](#) [RD7147-6-6M0](#) [T8116NLT](#)  
[FE2X10-4-2NL](#) [T8003NLT](#) [CTX66-19521-R](#) [RC112-0.4-15M](#) [RC212-0.6-6M8](#) [RC212-0.4-15M](#) [RC112-0.3-30M](#) [4534-3](#)  
[PAC6006.364NLT](#) [PAC6006.444NLT](#) [PAC6006.104NLT](#) [B82723A2102N001](#) [CUW43T-513T-AU](#) [CUW43T-104T-AU](#) [SCM9250-400N](#)  
[SCM9250-510N](#) [FA010G00](#) [GA021G00](#) [GA030G00](#) [MA020G00](#) [QA021G00](#) [APPM00070638301XY0](#) [APPM00070638501XY0](#)  
[AWCU00321619222M02](#) [FA040G00](#) [PAC6034.205NLT](#)