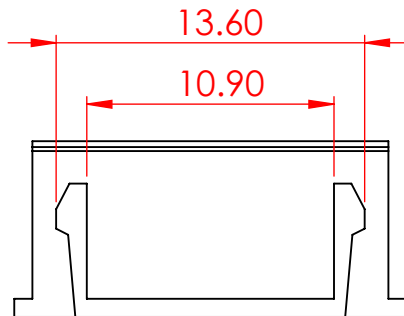
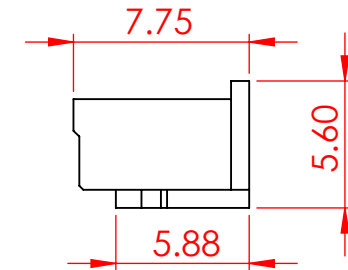
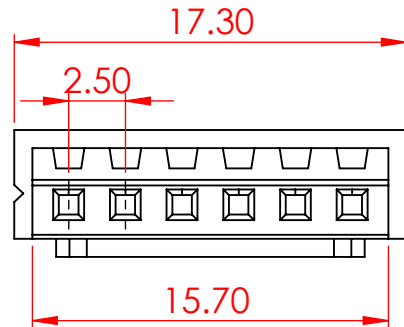


TOLERANCE UNLESS OTHERWISE SPECIFIED	
.X	±0.3
.XX	±0.2
.XXX	±0.1

THIS IS A C.A.D. GENERATED DRAWING  
DO NOT MAKE MANUAL REVISIONS TO MASTER.



ISSUE NUMBER	
ORIGINAL	①



**SPECIFICATIONS**

VOLTAGE RATING: 250V AC/DC  
CURRENT RATING: 3A AC/DC  
WITHSTANDING VOLTAGE: 1000V AC/MIN  
TEMPERATURE RANGE: -40° C TO 105° C  
INSULATION RESISTANCE: 1000MΩ MIN.

MATERIAL: NYLON66, UL94V-0  
COLOR: NATURAL

USE CONTACT: 14K-292-452  
(TIN-PLATED)

MATES WITH HOUSING: 14K-506-210-AA1

MATES WITH PIN HEADER: 14K-506-4XX-AA1  
TOP ENTRY CONTACT CODES: 11,12,15  
SIDE ENTRY CONTACT CODES: 16,21

MATES WITH SMT: 14K-506-4XXTAA1  
SMT CONTACT CODES: 17,18

14K SERIES 2.50 PITCH SOCKET HOUSING		ACAD REFERENCE NO.: 14K Assembly		UNIT: MM
		DRAWN: V.K.	DATE: 02/07/24	
CHECKED: R.S.M	DATE: 02/21/24			
SCALE: 3:1	SHEET 1 OF 1			
DRAWING NUMBER: 14K-506-210-AA2			ISSUE	
PART NUMBER: 14K-506-210-AA2			1	



THIS SERIES FULLY CONFORMS TO  
THE EUROPEAN UNION DIRECTIVES  
2011/65/EU FOR RoHS COMPLIANCY.



EDAC INC  
TORONTO, ONTARIO  
CANADA  
YOUR CONNECTION TO QUALITY & SERVICE

THESE DRAWINGS AND SPECIFICATIONS  
ARE THE PROPERTY OF EDAC INC., AND  
SHALL NOT BE REPRODUCED, OR COPIED  
OR USED AS THE BASIS FOR THE  
MANUFACTURE OR SALE OF APPARATUS  
WITHOUT WRITTEN PERMISSION.

## X-ON Electronics

Largest Supplier of Electrical and Electronic Components

*Click to view similar products for [Headers & Wire Housings](#) category:*

*Click to view products by [EDAC](#) manufacturer:*

Other Similar products are found below :

[892-18-020-10-001101](#) [0010894062](#) [0010977306](#) [0015477636](#) [0015917161](#) [0022104068](#) [0022121042](#) [0022155065](#) [0022281023](#) [57102-F02-18ULF](#) [58102-G61-06LF](#) [582553-1](#) [0015911208](#) [01.001.5753.1](#) [0022285048](#) [0050291907](#) [02.125.8002.8](#) [CSU011177004](#) [622-0430](#) [622-3653LF](#) [63453-116](#) [636-1030](#) [636-1427](#) [636-3427](#) [636-4007](#) [641938-9](#) [65495-038](#) [65692-001LF](#) [65781-018](#) [65781-047](#) [65817-010LF](#) [65817-015LF](#) [67095-007LF](#) [67601157](#) [68631-112](#) [68645-018](#) [699319-000](#) [70.362.1628.0](#) [70-4210](#) [70-4226B](#) [70-4853B](#) [707-5028](#) [71.350.2428.0](#) [733-134](#) [733-162](#) [760-3052](#) [MHR-64-VUAL](#) [80.063.4001.1](#) [800-90-001-10-001000](#) [801-43-002-10-013000](#)