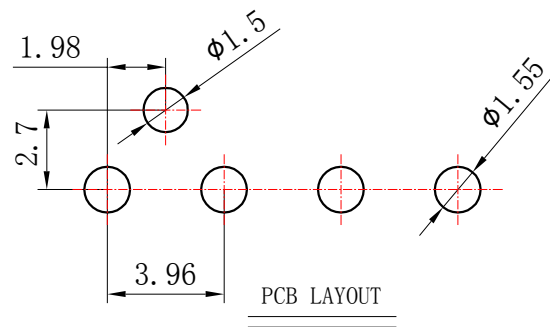
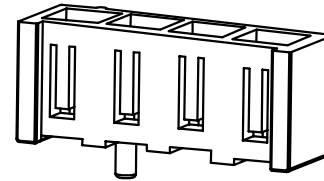
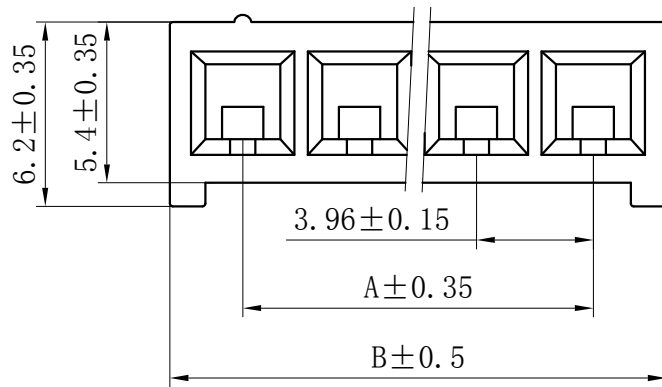
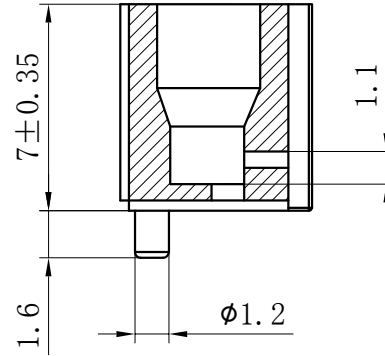
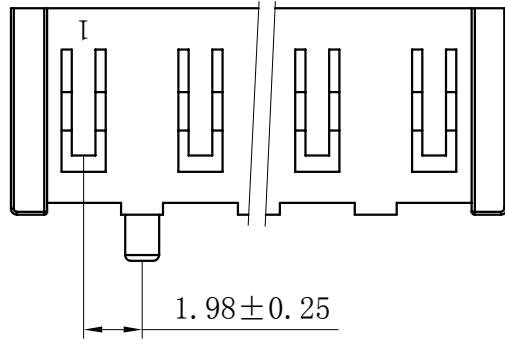


REV.	REVISION DESCRIPTION	DATE	APPD

NOTES:

1. Rated voltage: 250V AC/DC
2. Rated current: 7A AC/DC
3. Contact resistance: $\leq 20 \text{ m}\Omega$
4. Insulation resistance: $\geq 1000 \text{ M}\Omega$
5. Withstand voltage : 1500V AC/minute
6. Ambient temperature: $-40^\circ\text{C} \sim 105^\circ\text{C}$
7. Materials: Nylon UL94V-0(2)
8. Matched RoHS criteria



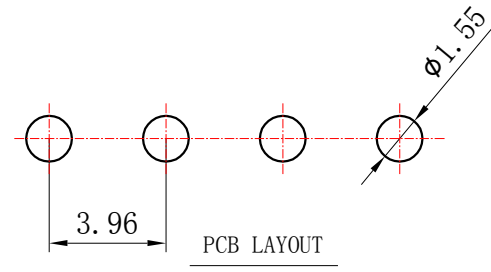
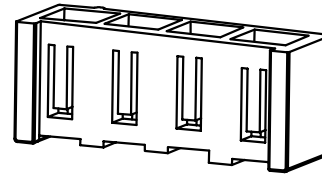
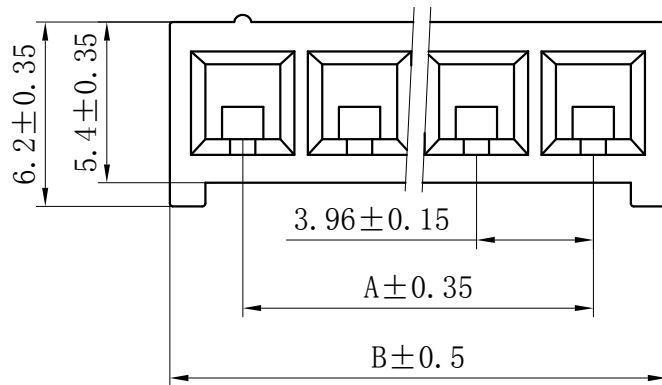
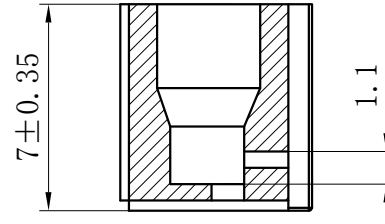
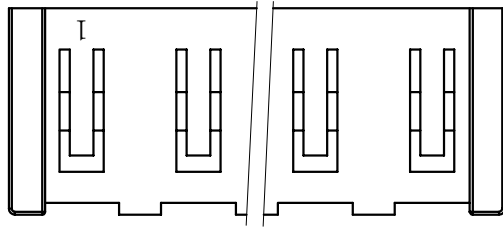
Circuits	Product name	Dimension mm		Circuits	Product name	Dimension mm	
		A	B			A	B
2	SDN-2Y	3.96	9.02	8	SDN-8Y	27.72	32.78
3	SDN-3Y	7.92	12.98	9	SDN-9Y	31.68	36.74
4	SDN-4Y	11.88	16.94	10	SDN-10Y	35.64	40.70
5	SDN-5Y	15.84	20.90	11	SDN-11Y	39.60	44.66
6	SDN-6Y	19.80	24.86	12	SDN-12Y	43.56	48.62
7	SDN-7Y	23.76	28.82				

GENERAL TOLERANCES (UNLESS SPECIFIED)		ZHE JIANG DELI CONNECTORS CO., LTD			
.X: ± 0.25	X°: ± 3.0°	PRODUCT NAME: DL39609 (SDN)-Y		TITLE: 3.96 mm Pitch Wire To Board Housing	
.XX: ± 0.15	.X°: ± 2.0°	DR: Chen Quan Long	DATE: 20/08/01	PART NO:	
.XXX: ± 0.01	.XX°: ± 1.0°	CHKD.: Wu Hui	DATE: 20/08/01	SCALE: N/A	PAGE: 1/1
DRAWING NO:		APPD: Ren An De	DATE: 20/08/01	UNITS: mm	REV.: A0

REV.	REVISION DESCRIPTION	DATE	APPD

NOTES:

1. Rated voltage: 250V AC.DC
2. Rated current: 7A AC.DC
3. Contact resistance: $\leq 20 \text{ m}\Omega$
4. Insulation resistance: $\geq 1000 \text{ M}\Omega$
5. Withstand voltage : 1500V AC/minute
6. Ambient temperature: $-40^{\circ}\text{C} \sim 105^{\circ}\text{C}$
7. Materials: Nylon UL94V-0(2)
8. Matched RoHS criteria



Circuits	Product name	Dimension mm		Circuits	Product name	Dimension mm	
		A	B			A	B
2	SDN-2YU	3.96	9.02	8	SDN-8YU	27.72	32.78
3	SDN-3YU	7.92	12.98	9	SDN-9YU	31.68	36.74
4	SDN-4YU	11.88	16.94	10	SDN-10YU	35.64	40.70
5	SDN-5YU	15.84	20.90	11	SDN-11YU	39.60	44.66
6	SDN-6YU	19.80	24.86	12	SDN-12YU	43.56	48.62
7	SDN-7YU	23.76	28.82				

GENERAL TOLERANCES (UNLESS SPECIFIED)		ZHE JIANG DELI CONNECTORS CO., LTD	
.X: ± 0.25	X°: ± 3.0°	PRODUCT NAME: DL39609 (SDN)-YU	TITLE: 3.96 mm Pitch Wire To Board Housing
.XX: ± 0.15	.X°: ± 2.0°	DR: Chen Quan Long	DATE: 20/08/01
.XXX: ± 0.01	.XX°: ± 1.0°	CHKD.: Wu Hui	DATE: 20/08/01
FINISH:		APPD: Ren An De	DATE: 20/08/01
DRAWING NO:			SCALE: N/A
			PAGE: 1/1
			UNITS: mm
			REV.: A0

REV.	REVISION DESCRIPTION	DATE	APPD

NOTES

Used in DL39609-Y Series Housing.

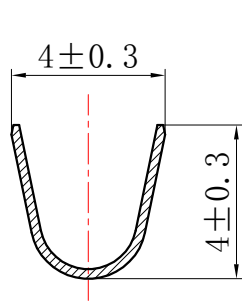
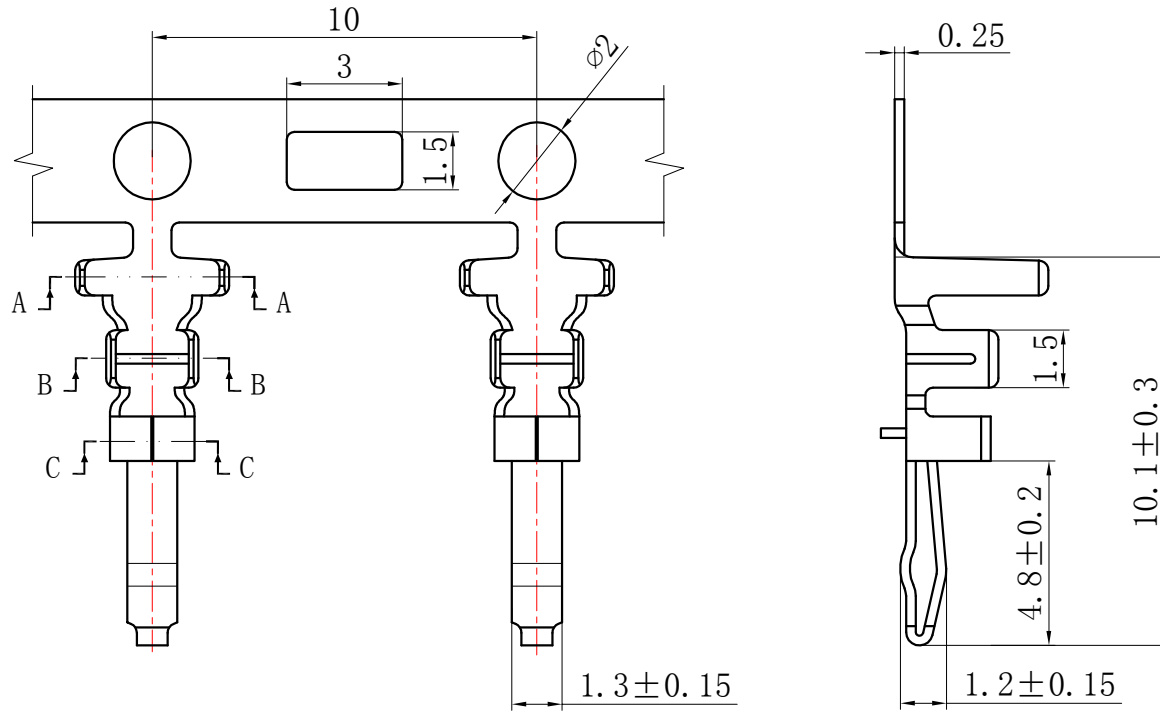
Accepts AWG #22~18 Wire Range.

Insulation O.D.=1.6~3.0 mm.

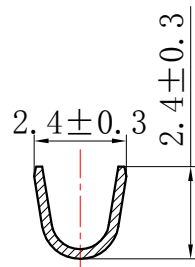
Material : Phosphor Bronze .

Finish: Tin plated.

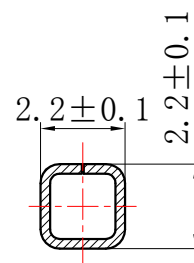
Thickness: 0.25mm.



SECTION A-A



SECTION B-B



SECTION C-C

GENERAL TOLERANCES (UNLESS SPECIFIED)		ZHE JIANG DELI CONNECTORS CO., LTD	
.X: ± 0.25	X° : ± 3.0°	PRODUCT NAME: DL39609 (SDN)-T	TITLE: 3.96mm Pitch Wire To Board Crimp Terminal
.XX: ± 0.15	.X° : ± 2.0°	DR:Chen Quan Long	DATE:21.04.01
.XXX: ± 0.01	.XX° : ± 1.0°	CHKD: Wu Hui	DATE:21.04.01
FINISH: _____		APPD:Ren An De	DATE:21.04.01
DRAWING NO:		SCALE: N/A	PAGE: 1/1
		UNITS: mm	REV.: A

X-ON Electronics

Largest Supplier of Electrical and Electronic Components

Click to view similar products for [Headers & Wire Housings](#) category:

Click to view products by [DLL](#) manufacturer:

Other Similar products are found below :

[892-18-020-10-001101](#) [0010894062](#) [0010977306](#) [0015477636](#) [0015917161](#) [0022104068](#) [0022121042](#) [0022155065](#) [0022281023](#) [57102-F02-18ULF](#) [PCN6B-10P-2.5DS](#) [58102-G61-06LF](#) [582553-1](#) [0015911208](#) [01.001.5753.1](#) [0022285048](#) [0050291907](#) [02.125.8002.8](#)
[CSU011177004](#) [622-0430](#) [63453-116](#) [636-1030](#) [636-1427](#) [636-3427](#) [636-4007](#) [641938-9](#) [65495-038](#) [65692-001LF](#) [65781-018](#) [65781-047](#)
[65817-010LF](#) [67095-007LF](#) [67601157](#) [68631-112](#) [68645-018](#) [699319-000](#) [70.362.1628.0](#) [70-4210](#) [70-4226B](#) [70-4853B](#) [707-5028](#)
[71.350.2428.0](#) [733-134](#) [733-162](#) [760-3052](#) [80.063.4001.1](#) [800-90-001-10-001000](#) [801-43-002-10-013000](#) [801-43-006-10-002000](#)
[803-43-024-10-001000](#)