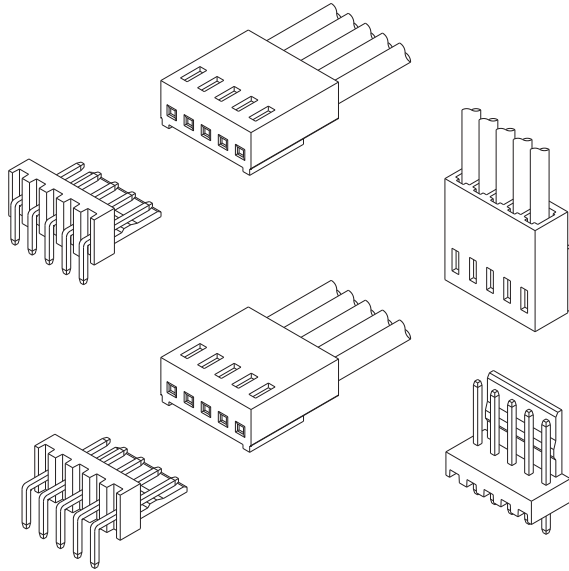


技术特性/Specifications:

额定电压 Rated voltage: 250V AC, DC
额定电流 Rated current: 3A AC, DC
接触电阻 Contact resistance: 20mΩ max
绝缘电阻 Insulation resistance: 1000MΩ min
耐压 Withstand voltage: 1000V AC/minute
环境温度 Ambient temperature: -40°C~+105°C
适用线规 Wire range: AWG#28~#22



| | | | |
|------|----------------------|------------|------|
| REV. | REVISION DESCRIPTION | DATE | APPD |
| A0 | NEW RELEASE | 2009.08.01 | 张仁川 |

NOTES

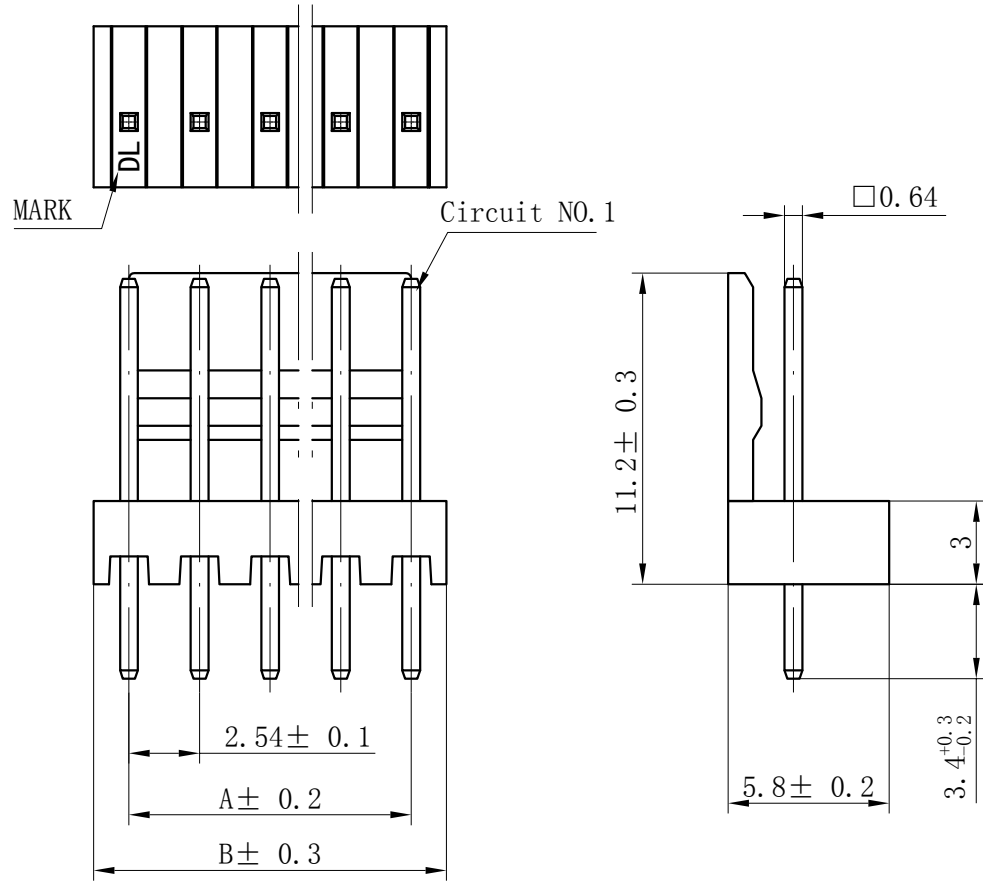
Available in 02 through 20 Circuits.

Mates with DL25401-Y Series Housing.

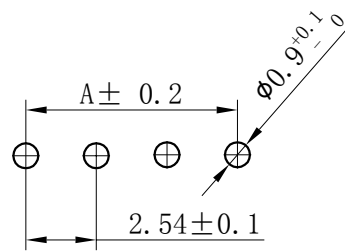
Material : Nylon UL94V-0(2).

0.64mm Square Pin.

Pin Material : Brass / Tin-Plated.



| Circuits | Product name | Dimension mm | | Circuits | Product name | Dimension mm | |
|----------|--------------|--------------|-------|----------|--------------|--------------|-------|
| | | A | B | | | A | B |
| 2 | 2510-2A | 2.54 | 5.08 | 12 | 2510-12A | 27.94 | 30.48 |
| 3 | 2510-3A | 5.08 | 7.62 | 13 | 2510-13A | 30.48 | 33.02 |
| 4 | 2510-4A | 7.62 | 10.16 | 14 | 2510-14A | 33.02 | 35.56 |
| 5 | 2510-5A | 10.16 | 12.70 | 15 | 2510-15A | 35.56 | 38.10 |
| 6 | 2510-6A | 12.70 | 15.24 | 16 | 2510-16A | 38.10 | 40.64 |
| 7 | 2510-7A | 15.24 | 17.78 | 17 | 2510-17A | 40.64 | 43.18 |
| 8 | 2510-8A | 17.78 | 20.32 | 18 | 2510-18A | 43.18 | 45.72 |
| 9 | 2510-9A | 20.32 | 22.86 | 19 | 2510-19A | 45.72 | 48.26 |
| 10 | 2510-10A | 22.86 | 25.40 | 20 | 2510-20A | 48.26 | 50.80 |
| 11 | 2510-11A | 25.40 | 27.94 | | | | |



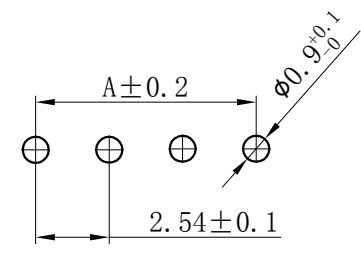
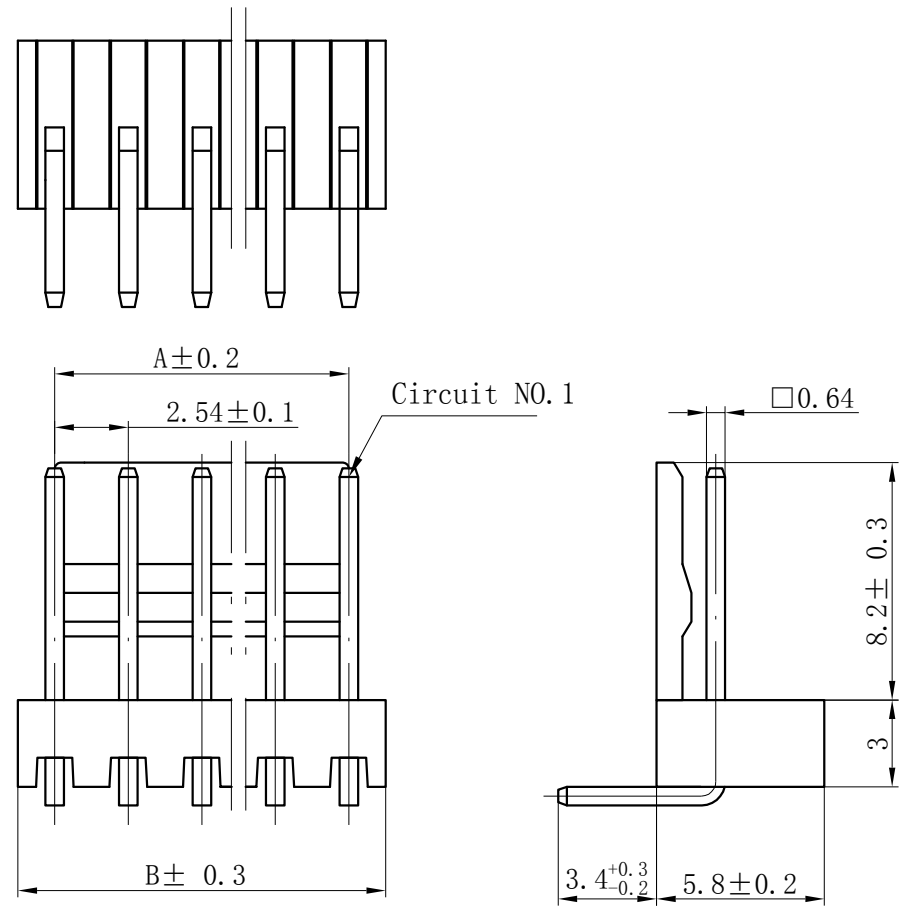
PCB LAYOUT

| | | | |
|--|---------------|------------------------------------|--|
| GENERAL TOLERANCES (UNLESS SPECIFIED) | | ZHE JIANG DELI CONNECTORS CO., LTD | |
| .X: ± 0.25 | .X°: ± 3.0° | PRODUCT NAME: DL25401 (2510)-A | TITLE: 2.54 mm Pitch Wire To Board Wafer |
| .XX: ± 0.15 | .XX°: ± 2.0° | DR: Xian Qiang | DATE:09/08/01 |
| .XXX: ± 0.01 | .XXX°: ± 1.0° | CHKD: Liu Bing | DATE:09/08/01 |
| DRAWING NO: | | APPD:Ren An De | DATE:09/08/01 |
| | | SCALE: N/A | PAGE: 1/1 |
| | | UNITS: mm | REV.: A0 |

| REV. | REVISION DESCRIPTION | DATE | APPD |
|------|----------------------|------|------|
| | | | |

NOTES

Available in 02 through 20 Circuits.
 Mates with DL25401-Y Series Housing.
 Material : Nylon UL94V-0(2).
 0.64mm Square Pin.
 Pin Material : Brass / Tin-Plated.



PCB LAYOUT

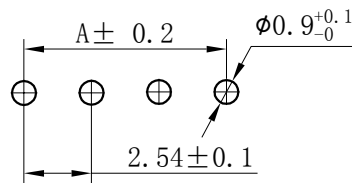
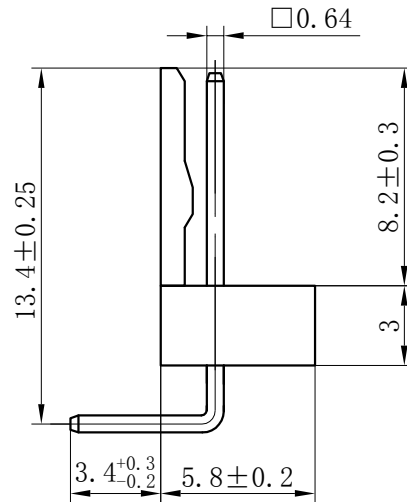
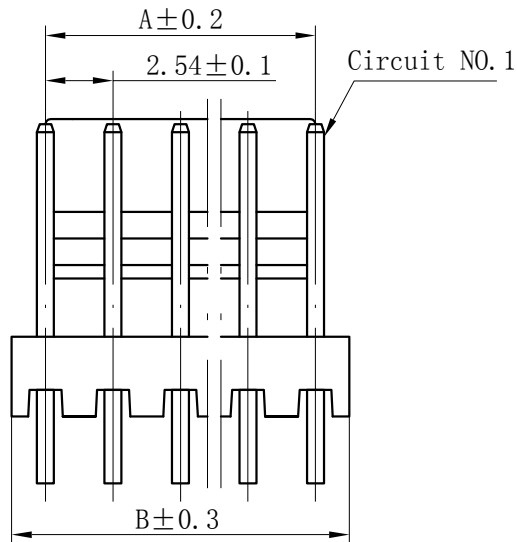
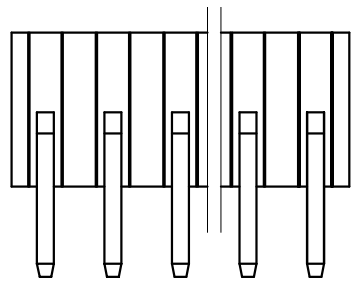
| Circuits | Product name | Dimension mm | | Circuits | Product name | Dimension mm | |
|----------|--------------|--------------|-------|----------|--------------|--------------|-------|
| | | A | B | | | A | B |
| 2 | 2510-2AW | 2.54 | 5.08 | 12 | 2510-12AW | 27.94 | 30.48 |
| 3 | 2510-3AW | 5.08 | 7.62 | 13 | 2510-13AW | 30.48 | 33.02 |
| 4 | 2510-4AW | 7.62 | 10.16 | 14 | 2510-14AW | 33.02 | 35.56 |
| 5 | 2510-5AW | 10.16 | 12.70 | 15 | 2510-15AW | 35.56 | 38.10 |
| 6 | 2510-6AW | 12.70 | 15.24 | 16 | 2510-16AW | 38.10 | 40.64 |
| 7 | 2510-7AW | 15.24 | 17.78 | 17 | 2510-17AW | 40.64 | 43.18 |
| 8 | 2510-8AW | 17.78 | 20.32 | 18 | 2510-18AW | 43.18 | 45.72 |
| 9 | 2510-9AW | 20.32 | 22.86 | 19 | 2510-19AW | 45.72 | 48.26 |
| 10 | 2510-10AW | 22.86 | 25.40 | 20 | 2510-20AW | 48.26 | 50.80 |
| 11 | 2510-11AW | 25.40 | 27.94 | | | | |

| GENERAL TOLERANCES (UNLESS SPECIFIED) | | ZHE JIANG DELI CONNECTORS CO.,LTD | | | |
|--|--------------|--|---------------|--|-----------|
| .X: ± 0.25 | .X°: ± 3.0° | PRODUCT NAME: DL25401(2510)-AW | | TITLE: 2.54 mm Pitch Wire To Board Wafer | |
| .XX: ± 0.15 | .X°: ± 2.0° | DR: Xian Qiang | DATE:09/08/01 | PART NO: | |
| .XXX: ± 0.01 | .XX°: ± 1.0° | CHKD: Liu Bing | DATE:09/08/01 | SCALE: N/A | PAGE: 1/1 |
| DRAWING NO: | | APPD:Ren An De | DATE:09/08/01 | UNITS: mm | REV.: A |

| | | | |
|------|----------------------|------|------|
| REV. | REVISION DESCRIPTION | DATE | APPD |
| | | | |

NOTES

Available in 02 through 20 Circuits.
 Mates with DL25401-Y Series Housing.
 Material : Nylon UL94V-0(2).
 0.64mm Square Pin.
 Pin Material : Brass / Tin-Plated.



PCB LATOUT

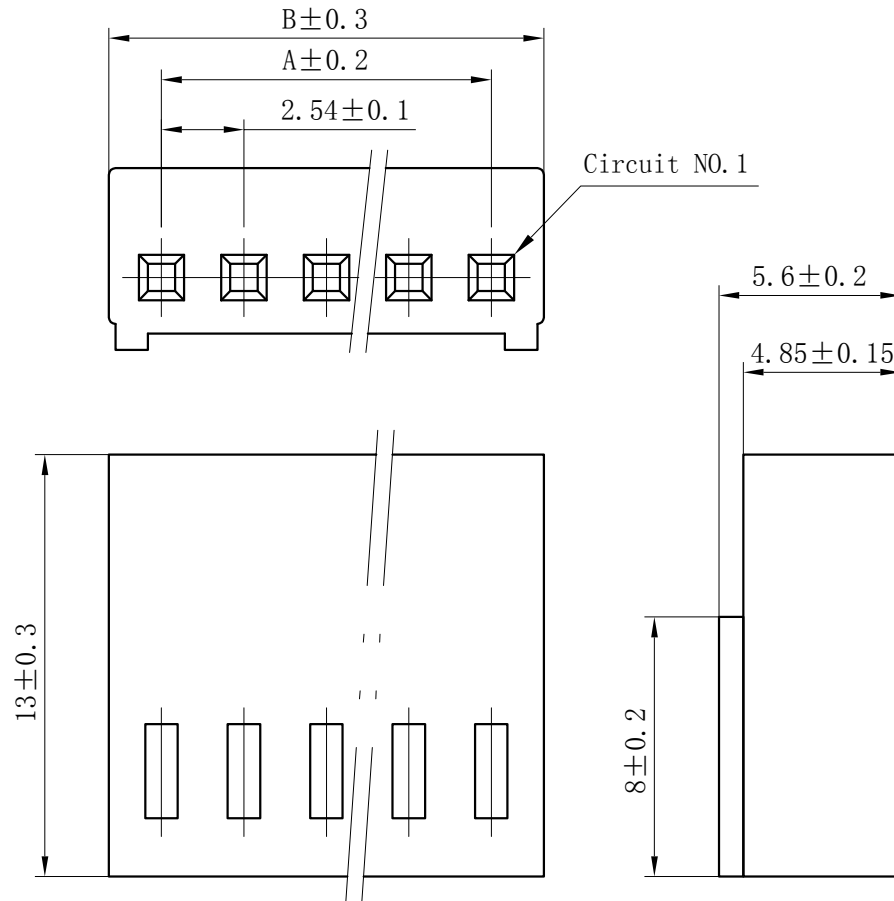
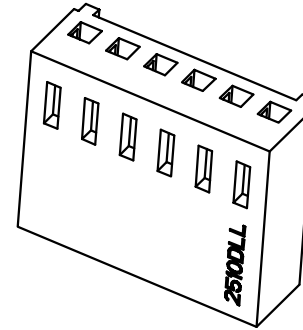
| Circuits | Product name | Dimension mm | | Circuits | Product name | Dimension mm | |
|----------|--------------|--------------|-------|----------|--------------|--------------|-------|
| | | A | B | | | A | B |
| 2 | 2510-2AWT | 2.54 | 5.08 | 12 | 2510-12AWT | 27.94 | 30.48 |
| 3 | 2510-3AWT | 5.08 | 7.62 | 13 | 2510-13AWT | 30.48 | 33.02 |
| 4 | 2510-4AWT | 7.62 | 10.16 | 14 | 2510-14AWT | 33.02 | 35.56 |
| 5 | 2510-5AWT | 10.16 | 12.70 | 15 | 2510-15AWT | 35.56 | 38.10 |
| 6 | 2510-6AWT | 12.70 | 15.24 | 16 | 2510-16AWT | 38.10 | 40.64 |
| 7 | 2510-7AWT | 15.24 | 17.78 | 17 | 2510-17AWT | 40.64 | 43.18 |
| 8 | 2510-8AWT | 17.78 | 20.32 | 18 | 2510-18AWT | 43.18 | 45.72 |
| 9 | 2510-9AWT | 20.32 | 22.86 | 19 | 2510-19AWT | 45.72 | 48.26 |
| 10 | 2510-10AWT | 22.86 | 25.40 | 20 | 2510-20AWT | 48.26 | 50.80 |
| 11 | 2510-11AWT | 25.40 | 27.94 | | | | |

| | | | | | |
|--|--------------|-------------------------------------|----------------|--|-----------|
| GENERAL TOLERANCES (UNLESS SPECIFIED) | | ZHE JIANG DELI CONNECTORS CO., LTD | | | |
| .X: ± 0.25 | X°: ± 3.0° | PRODUCT NAME: DL25401 (2510)-AWT | | TITLE: 2.54 mm Pitch Wire To Board Wafer | |
| .XX: ± 0.15 | .X°: ± 2.0° | DR: Xian Qiang | DATE: 09/08/01 | PART NO: | |
| .XXX: ± 0.01 | .XX°: ± 1.0° | CHKD: Liu Bing | DATE: 09/08/01 | SCALE: N/A | PAGE: 1/1 |
| DRAWING NO: | | APPD: Ren An De | DATE: 09/08/01 | UNITS: mm | REV.: A |

| REV. | REVISION DESCRIPTION | DATE | APPD |
|------|----------------------|------|------|
| | | | |

NOTES

Available in 02 through 20 Circuits.
 Mates with DL25401-A or DL25401-AW or DL25401-AWT Series WAFER.
 Material :Nylon UL94-V0(2).
 Accepts DL25401-T Crimp Terminal.



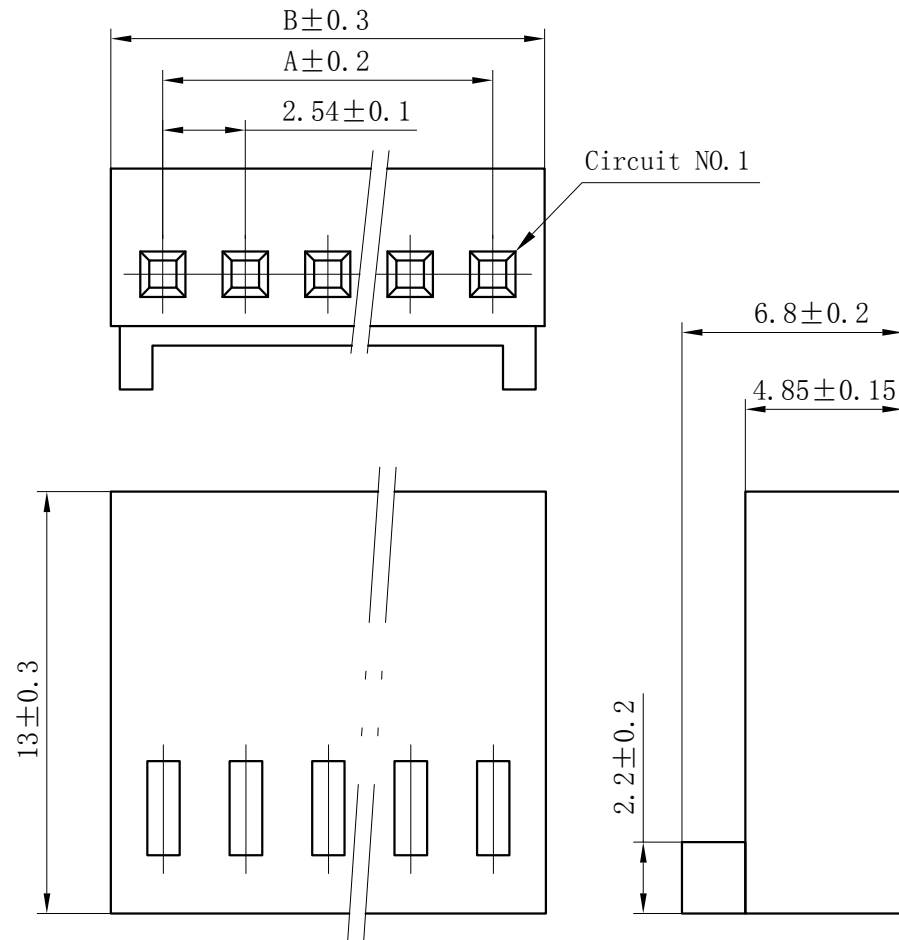
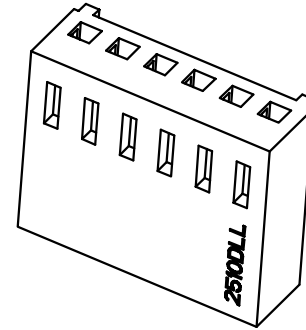
| Circuits | Product name | Dimension mm | | Circuits | Product name | Dimension mm | |
|----------|--------------|--------------|-------|----------|--------------|--------------|-------|
| | | A | B | | | A | B |
| 2 | 2510-2Y | 2.54 | 5.84 | 10 | 2510-10Y | 22.86 | 26.16 |
| 3 | 2510-3Y | 5.08 | 8.38 | 11 | 2510-11Y | 25.40 | 28.70 |
| 4 | 2510-4Y | 7.62 | 10.92 | 12 | 2510-12Y | 27.94 | 31.24 |
| 5 | 2510-5Y | 10.16 | 13.46 | 13 | 2510-13Y | 30.48 | 33.78 |
| 6 | 2510-6Y | 12.70 | 16.00 | 14 | 2510-14Y | 33.02 | 36.32 |
| 7 | 2510-7Y | 15.24 | 18.54 | 15 | 2510-15Y | 35.56 | 38.86 |
| 8 | 2510-8Y | 17.78 | 21.08 | ~ | ~ | ~ | ~ |
| 9 | 2510-9Y | 20.32 | 23.62 | 20 | 2510-20Y | 48.26 | 51.56 |

| GENERAL TOLERANCES (UNLESS SPECIFIED) | | ZHE JIANG DELI CONNECTORS CO., LTD | |
|---------------------------------------|--------------|--|--|
| .X: ± 0.25 | X°: ± 3.0° | PRODUCT NAME: DL25401 (2510)-Y | TITLE: 2.54 mm Pitch Wire To Board Housing |
| .XX: ± 0.15 | .X°: ± 2.0° | DR: Xian Qiang | DATE:09/08/01 |
| .XXX: ± 0.01 | .XX°: ± 1.0° | CHKD: Liu Bing | DATE:09/08/01 |
| FINISH: | | APPD: Ren An De | DATE:09/08/01 |
| DRAWING NO: | | SCALE: N/A | PAGE: 1/1 |
| | | UNITS: mm | REV.: A0 |

| REV. | REVISION DESCRIPTION | DATE | APPD |
|------|----------------------|------|------|
| | | | |

NOTES

Available in 02 through 20 Circuits.
 Mates with DL25401-A or DL25401-AW or DL25401-AWT Series WAFER.
 Material :Nylon UL94-V0(2).
 Accepts DL25401-T Crimp Terminal.



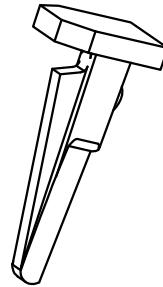
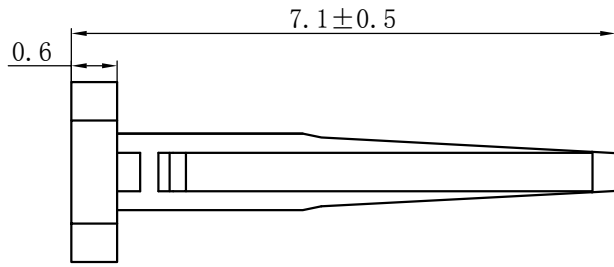
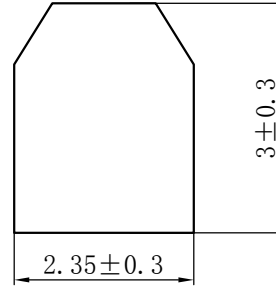
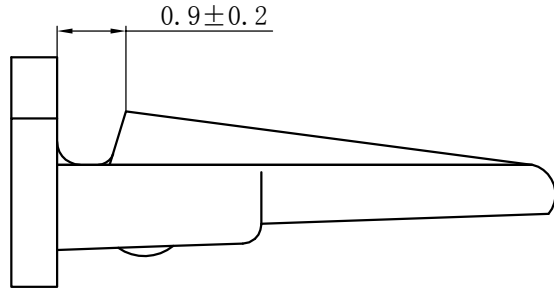
| Circuits | Product name | Dimension mm | | Circuits | Product name | Dimension mm | |
|----------|--------------|--------------|-------|----------|--------------|--------------|-------|
| | | A | B | | | A | B |
| 2 | 2510-2YB | 2.54 | 5.84 | 10 | 2510-10YB | 22.86 | 26.16 |
| 3 | 2510-3YB | 5.08 | 8.38 | 11 | 2510-11YB | 25.40 | 28.70 |
| 4 | 2510-4YB | 7.62 | 10.92 | 12 | 2510-12YB | 27.94 | 31.24 |
| 5 | 2510-5YB | 10.16 | 13.46 | 13 | 2510-13YB | 30.48 | 33.78 |
| 6 | 2510-6YB | 12.70 | 16.00 | 14 | 2510-14YB | 33.02 | 36.32 |
| 7 | 2510-7YB | 15.24 | 18.54 | 15 | 2510-15YB | 35.56 | 38.86 |
| 8 | 2510-8YB | 17.78 | 21.08 | ~ | ~ | ~ | ~ |
| 9 | 2510-9YB | 20.32 | 23.62 | 20 | 2510-20YB | 48.26 | 51.56 |

| GENERAL TOLERANCES (UNLESS SPECIFIED) | | ZHE JIANG DELI CONNECTORS CO., LTD | |
|---------------------------------------|---------------|---|--|
| .X: ± 0.25 | .X°: ± 3.0° | PRODUCT NAME: DL25401 (2510)-YB | TITLE: 2.54 mm Pitch Wire To Board Housing |
| .XX: ± 0.15 | .XX°: ± 2.0° | DR: Xian Qiang | DATE:09/08/01 |
| .XXX: ± 0.01 | .XXX°: ± 1.0° | CHKD: Liu Bing | DATE:09/08/01 |
| FINISH: | | APPD: Ren An De | DATE:09/08/01 |
| DRAWING NO: | | SCALE: N/A | PAGE: 1/1 |
| | | UNITS: mm | REV.: A0 |

| REV. | REVISION DESCRIPTION | DATE | APPD |
|------|----------------------|------|------|
| | | | |

NOTES

Mates with 2510 Series Housing.
 Material : Nylon UL94V-0(2).
 Green Material RoHS Compliant.



| GENERAL TOLERANCES (UNLESS SPECIFIED) | | ZHE JIANG DELI CONNECTORS CO., LTD | |
|--|---------------|---|---|
| .X: ± 0.30 | X° : ± 3.0° | PRODUCT NAME: DL25401 (2510)-1E | TITLE: 2.54 mm Pitch WTW Receptacle Stopper |
| .XX: ± 0.15 | .X° : ± 2.0° | DR:Chen Quan Long | DATE:24. 2. 22 |
| .XXX: ± 0.01 | .XX° : ± 1.0° | CHKD:Wu Hui | DATE:24. 2. 22 |
| FINISH: | | APPD:Ren An De | DATE:24. 2. 22 |
| DRAWING NO: | | UNITS: mm | SCALE: N/A |
| | | | PAGE: 1/1 |
| | | | REV.: A |

| REV. | REVISION DESCRIPTION | DATE | APPD |
|------|----------------------|------------|------|
| A2 | 图面更新 | 2019/08/20 | |

NOTES

Used in DL25401-Y Series Housing.

Accepts AWG #28~22 Wire Range.

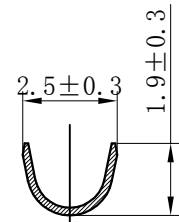
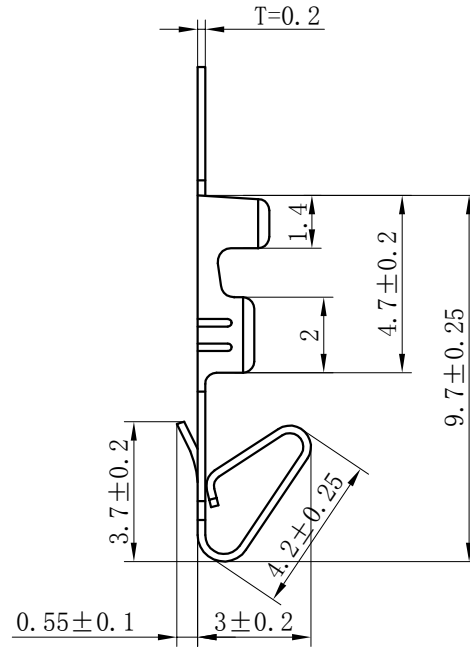
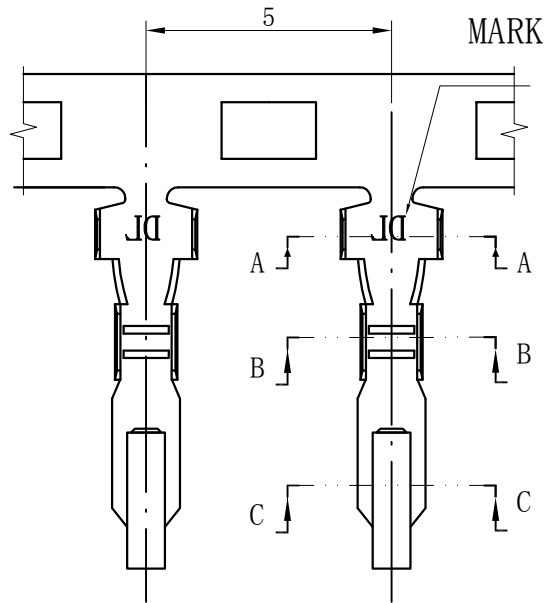
0.06~ 0.33 mm² .

Insulation O.D.=1.2~1.9 mm.

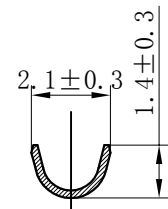
Material : Phosphor Bronze .

Finish: Tin plated.

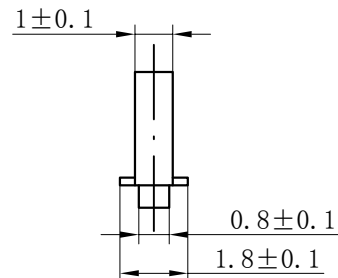
Thickness: 0.2 mm.



SECTION A-A



SECTION B-B



SECTION C-C

| GENERAL TOLERANCES (UNLESS SPECIFIED) | | ZHE JIANG DELI CONNECTORS CO., LTD | |
|---------------------------------------|---------------|------------------------------------|---|
| .X: ± 0.25 | X° : ± 3.0° | PRODUCT NAME: | TITLE: |
| .XX: ± 0.15 | .X° : ± 2.0° | DL25401 (2510)-T | 2.54 mm Pitch Wire To Board Crimp Terminal |
| .XXX: ± 0.01 | .XX° : ± 1.0° | DR: Chen Quan Long | DATE: 20.12.4 |
| FINISH: | | CHKD: Wu Hui | DATE: 20.12.4 |
| DRAWING NO: | | APPD: Ren An De | DATE: 20.12.4 |
| | | SCALE: N/A | PAGE: 1/1 |
| | | UNITS: mm | REV.: A2 |

X-ON Electronics

Largest Supplier of Electrical and Electronic Components

Click to view similar products for [Headers & Wire Housings](#) category:

Click to view products by [DLL](#) manufacturer:

Other Similar products are found below :

[892-18-020-10-001101](#) [0010894062](#) [0010977306](#) [0015477636](#) [0015917161](#) [0022104068](#) [0022121042](#) [0022155065](#) [0022281023](#) [57102-F02-18ULF](#) [PCN6B-10P-2.5DS](#) [58102-G61-06LF](#) [582553-1](#) [0015911208](#) [01.001.5753.1](#) [0022285048](#) [0050291907](#) [02.125.8002.8](#)
[CSU011177004](#) [622-0430](#) [63453-116](#) [636-1030](#) [636-1427](#) [636-3427](#) [636-4007](#) [641938-9](#) [65495-038](#) [65692-001LF](#) [65781-018](#) [65781-047](#)
[65817-010LF](#) [67095-007LF](#) [67601157](#) [68631-112](#) [68645-018](#) [699319-000](#) [70.362.1628.0](#) [70-4210](#) [70-4226B](#) [70-4853B](#) [707-5028](#)
[71.350.2428.0](#) [733-134](#) [733-162](#) [760-3052](#) [80.063.4001.1](#) [800-90-001-10-001000](#) [801-43-002-10-013000](#) [801-43-006-10-002000](#)
[803-43-024-10-001000](#)