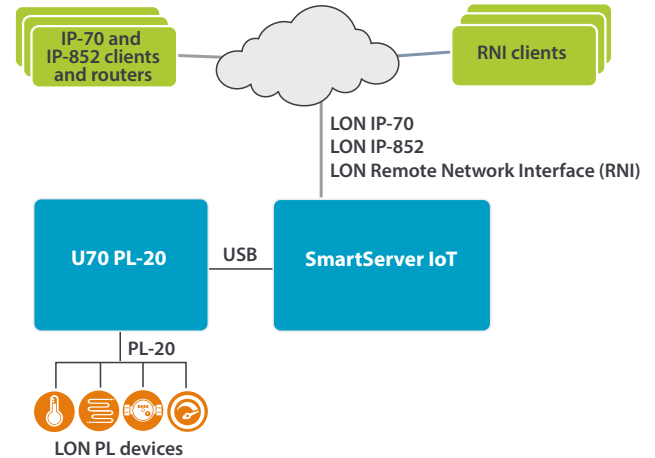


U70 PL-20 USB Network Interface



Product Description

The U70 PL-20 USB Network Interface expansion module enables a SmartServer™ IoT or other controller or computer to communicate with LON PL-20 power line carrier networks via USB. The compact module is housed in a DIN 43880 7TE compliant enclosure.

The U70 is compatible with OpenLDV 5 (or newer) and with hosts implementing the LON/IP stack, which provides source code for LON/IP and LON-compatible protocol stacks.

The U70 facilitates communication to everyday devices like pumps, motors, valves, sensors, actuators and lights for lighting controls, building automation, energy management, transportation systems control and telecommunications equipment management.

Tx and Rx LEDs provide an indication of LON packet transmission and reception. An on-board Connect LED provides a visual indication of device status during discovery and device configuration; status is also communicated to the host via the USB interface.

Features and Benefits

- USB interface for LON PL networks for any edge server, gateway, controller or device, including SmartServer IoT
- Includes integrated 3-phase power line coupler and 24VDC power supply
- Powered by power line mains voltage
- Compatible with IzoT™ Net Server, OpenLNS® Server, LNS® Server and OpenLDV applications
- Works with IzoT Net and LNS compatible applications such as the IzoT Commissioning Tool and LonMaker Integration Tool
- Compatible with SmartServer IoT
- Compact DIN 43880 7TE form factor
- Source code available as download for a Linux-compatible driver

PRODUCT SPECIFICATIONS

Hardware and Electrical Specifications

Processor:	Dialog PL Smart Transceiver
Built-in Memory:	1 MB flash memory, 64 KB RAM
Host Interface:	USB Micro-B 2.0, compatible with USB 1.1 and high-speed USB systems, peripherals and cables
USB Cable:	Cable with Micro-B USB to Type A USB connectors included
Mains Interface:	1 – 3 phase AC
Input Voltage:	100 – 277VAC +/- 10%, 50–60Hz +/- 5% (AC mains power input, single phase used for power; up to three phases used for communication)
Input Power:	2.5W no-load max (for $V_{in} \leq 120VAC$) 35W max
Output Voltage:	24VDC +/- 5%
Output Current:	350mA max
Indicators:	LON Tx/Rx LEDs, Connect LED, Power LED

Operating Temperature:	-40°C to +70°C
Operating Humidity:	5-95% RH non-condensing @ 50°C
Surge Protection:	EN 61000-4-5:2006, +/- 6KV
Mounting:	DIN 43880 7TE

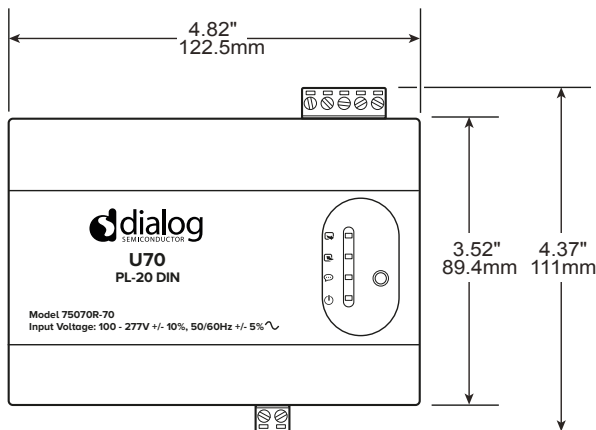
Software Platform

Interface:	LON/IP PL-20 and LON PL-20 with a Layer 2 or Layer 5 interface
Drivers:	Windows: OpenLDV 5 (or newer) Linux: Source code available for porting

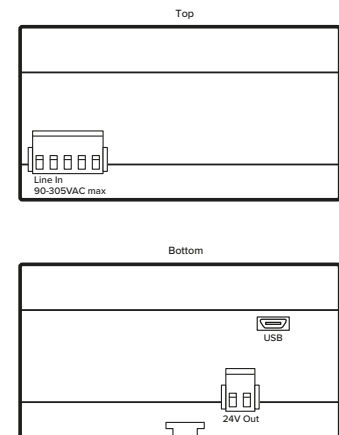
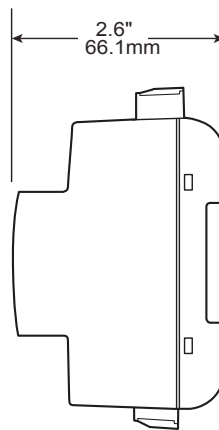
Safety, Compliance, and Warranty

Safety:	UL/IEC/CSA 62368-1
EMC:	FCC/CE/ICES/AS/NZ/VCCI CISPR 32 Class B; EN 55024, CISPR 24
Warranty:	1 year limited warranty

DIMENSIONS, MOUNTING AND CONNECTIONS



The U70 module is designed for DIN-rail mounting



Top view (when mounted): Mains power input
Bottom view (when mounted): USB port, power output

Model #	Product Name	Product Description
75070R-70	U70 PL-20 USB Network Interface	USB interface to LON/IP PL-20 and LON PL-20 power line carrier networks

IMPORTANT NOTICE AND DISCLAIMER

RENESAS ELECTRONICS CORPORATION AND ITS SUBSIDIARIES (“RENESAS”) PROVIDES TECHNICAL SPECIFICATIONS AND RELIABILITY DATA (INCLUDING DATASHEETS), DESIGN RESOURCES (INCLUDING REFERENCE DESIGNS), APPLICATION OR OTHER DESIGN ADVICE, WEB TOOLS, SAFETY INFORMATION, AND OTHER RESOURCES “AS IS” AND WITH ALL FAULTS, AND DISCLAIMS ALL WARRANTIES, EXPRESS OR IMPLIED, INCLUDING, WITHOUT LIMITATION, ANY IMPLIED WARRANTIES OF MERCHANTABILITY, FITNESS FOR A PARTICULAR PURPOSE, OR NON-INFRINGEMENT OF THIRD PARTY INTELLECTUAL PROPERTY RIGHTS.

These resources are intended for developers skilled in the art designing with Renesas products. You are solely responsible for (1) selecting the appropriate products for your application, (2) designing, validating, and testing your application, and (3) ensuring your application meets applicable standards, and any other safety, security, or other requirements. These resources are subject to change without notice. Renesas grants you permission to use these resources only for development of an application that uses Renesas products. Other reproduction or use of these resources is strictly prohibited. No license is granted to any other Renesas intellectual property or to any third party intellectual property. Renesas disclaims responsibility for, and you will fully indemnify Renesas and its representatives against, any claims, damages, costs, losses, or liabilities arising out of your use of these resources. Renesas' products are provided only subject to Renesas' Terms and Conditions of Sale or other applicable terms agreed to in writing. No use of any Renesas resources expands or otherwise alters any applicable warranties or warranty disclaimers for these products.

(Rev.1.0 Mar 2020)

Corporate Headquarters

TOYOSU FORESIA, 3-2-24 Toyosu,
Koto-ku, Tokyo 135-0061, Japan
www.renesas.com

Contact Information

For further information on a product, technology, the most up-to-date version of a document, or your nearest sales office, please visit:
www.renesas.com/contact/

Trademarks

Renesas and the Renesas logo are trademarks of Renesas Electronics Corporation. All trademarks and registered trademarks are the property of their respective owners.

X-ON Electronics

Largest Supplier of Electrical and Electronic Components

Click to view similar products for [Networking Modules](#) category:

Click to view products by [Dialog Semiconductor](#) manufacturer:

Other Similar products are found below :

[PCINC1000C-8](#) [NC1000C-8](#) [301-2010-27](#) [301-1010-44](#) [301-1010-74](#) [XPP100300S-04R](#) [XPP1003000-04R](#) [MGM111E256V2](#)
[VSMD001V072](#) [NS5-SQ11B-V2](#) [2000000849](#) [BB-WSW2C00015-1](#) [WISE-1021WR-1100E](#) [WISE-3310-D200L1E](#) [CDPP8RG](#) [CIO-MB](#)
[SC14CVMDECT](#) [SF02T](#) [AW02-G300](#) [AW08-G300](#) [AW24-G300](#) [DC-ME4-01T-C](#) [DC-ME-Y401-C](#) [X2E-Z1C-W1-W](#) [PuIM-1G4T-I211-BP-](#)
[R10](#) [PuIM-1G4T-I211-R10](#) [PUZZLE-IN003B-C0/8G-R10](#) [X710DA2](#) [XXV710DA2OCP2](#) [MO11AA003-01R](#) [WP20010NMK-01](#)
[XP1001000-05R](#) [XP1001000M-05R](#) [XP1002000-05R](#) [XP100200S-05R](#) [XPDNC2000-01](#) [XPP1002000-02R](#) [XPP100200S-02R](#) [112113-0007](#)
[1121130011](#) [SST-DN4-PCU](#) [NC2400C](#) [NS5-SQ10-V2](#) [PCINC2400C](#) [2200515](#) [113990838](#) [SD-300-US](#) [MGM111A256V2](#)
[MGM111A256V2R](#) [ZGM130S037HGN2R](#) [ZGM130S037HGN2](#)