

# Chrome II DIN Rail Power Supply

## DRC-15W Series (Class II & NEC Class 2) / DRC-□V015W1RZ



## CHROME II

### Highlights & Features

- Class II, Double Isolation (No Earth connection is required)
- Supports universal AC input voltage and DC input voltage
- Mechanical dimensions designed to meet DIN 43880 for building automation
- Low no load power consumption and compliance with DOE VI efficiency standard
- NEC Class 2 / Limited Power Source (LPS) certified
- Over Voltage Category III

### Safety Standards



CB Certified for worldwide use

**Model Number:** DRC-□V015W1RZ  
**Unit Weight:** 0.06 kg (0.13 lb)  
**Dimensions (H x W x D):** 87.5 x 18.0 x 55.0 mm  
 (3.45 x 0.7 x 2.17 inch)

### General Description

The DRC-15W series is part of the Chrome II Series DIN rail power supplies. It offers a maximum output of up to 15 W and nominal voltage outputs of 5 V, 12 V, and 24 V. The 15 W models support both universal AC input voltage and DC input voltage. It boasts a compact design to be aligned with DIN 43880, a standard that defines dimensions for distribution boards of building control and home automation systems. The Chrome II Series is also certified to IEC/EN 60335-1, IEC 61558-1, and IEC 61558-2-16 to ensure electrical safety for distribution boards. All the above features make the Series suitable for building automation and household appliances. The double-isolated input eliminates the need of an earth connection for a low leakage current. It complies to DOE VI energy efficiency standard with its lower no-load power consumption.

### Model Information

#### Chrome II DIN Rail Power Supply

Model Number	Input Voltage Range	Rated Output Voltage	Rated Output Current
DRC-05V015W1RZ	85-264 Vac (120-375 Vdc)	5 Vdc	2.4 A
DRC-12V015W1RZ		12 Vdc	1.25 A
DRC-24V015W1RZ		24 Vdc	0.63 A

### Model Numbering

DR	C –	□V	015W	1	R	Z
DIN Rail	Product Series C – Chrome	Output Voltage 5 – 5 V 12 – 12 V 24 – 24 V	Output Power (15 W series)	Single Phase	Chrome II	Z – Black Plastic Case

# Chrome II DIN Rail Power Supply

## DRC-15W Series (Class II & NEC Class 2) / DRC-□V015W1RZ

### Specifications

Model Number	DRC-05V015W1RZ	DRC-12V015W1RZ	DRC-24V015W1RZ
--------------	----------------	----------------	----------------

### Input Ratings / Characteristics

Nominal Input Voltage	100-240 Vac		
Input Voltage Range	85-264 Vac		
Nominal Input Frequency	50-60 Hz		
Input Frequency Range	47-63 Hz		
DC Input Voltage Range* <sup>1</sup>	120-375 Vdc		
Input Current	< 0.5 A @ 115 Vac, < 0.3 A @ 230 Vac		
Efficiency at 100% Load	80.5% typ. @ 115 Vac 81.0% typ. @ 230 Vac	86.5% typ. @ 115 Vac 86.0% typ. @ 230 Vac	87.5% typ. @ 115 Vac 87.5% typ. @ 230 Vac
Average Efficiency (25%, 50%, 75%, 100%)	80.5% @ 115 Vac	83.5% typ. @ 115 Vac	85.5% typ. @ 115 Vac
No Load Power Consumption	0.1 W typ. @ 115 Vac & 230 Vac		
Max Inrush Current (Cold Start)	40 A typ. @ 230 Vac		
Leakage Current	< 0.25 mA @ 240 Vac		

\*1 Power supply can operate at DC input voltage. Please connect +pole to L, -pole to N and PE terminal to an earth wire or to the machine ground.

### Output Ratings / Characteristics\*<sup>2</sup>

Nominal Output Voltage	5 Vdc	12 Vdc	24 Vdc
Factory Set Point Tolerance	5 Vdc ± 1%	12 Vdc ± 1%	24 Vdc ± 1%
Output Voltage Adjustment Range	4.5-5.5 Vdc	10.8-13.2 Vdc	21.6-26.4 Vdc
Output Current	0-2.4 A	0-1.25 A	0-0.63 A
Output Power	12 W max.	15 W max.	15 W max.
Line Regulation	± 0.5% @ 115 Vac & 230 Vac		
Load Regulation	± 1.0%	± 1.0%	± 0.5%
PARD* <sup>3</sup> (20 MHz)	< 100 mVpp @ 0°C to +70°C < 150 mVpp @ -30°C to 0°C	< 100 mVpp @ 0°C to +70°C < 150 mVpp @ -30°C to 0°C	< 100 mVpp @ 0°C to +70°C < 150 mVpp @ -30°C to 0°C
Rise Time	30 ms typ. @ 115 Vac & 230 Vac		
Start-up Time	1500 ms typ. @ 115 Vac & 230 Vac		
Hold-up Time 5V 21.24, 94.74 12V 18.1 79.59 24V 18.3 78.92	21 ms typ. @ 115 Vac & 95 ms typ. 230 Vac (100% load)	18 ms typ. @ 115 Vac & 80 ms typ. 230 Vac (100% load)	18 ms typ. @ 115 Vac & 79 ms typ. 230 Vac (100% load)
Dynamic Response (Overshoot & Undershoot O/P Voltage)	± 20% @ 115 Vac & 230 Vac input, 10-100% load (5V) ± 10% @ 115 Vac & 230 Vac input, 10-100% load (12 & 24V) (Slew Rate: 2.5 A/μS, 50% duty cycle @ 5 Hz & 10 kHz)		
Start-up with Capacitive Loads	8,000 μF max.	8,000 μF max.	3,000 μF max.

\*2 For power will be de-rating from 50°C to 70°C, and Vin < 100 Vac, see Engineering Data power de-rating information.

\*3 PARD is measured with an AC coupling mode, 5 cm wires, and in parallel to end terminal with 0.1 μF ceramic capacitor & 47 μF electrolytic capacitor. PSU need to burn in around 5 minutes when AMB ≤ 0°C

# Chrome II DIN Rail Power Supply

## DRC-15W Series (Class II & NEC Class 2) / DRC-□V015W1RZ

Model Number	DRC-05V015W1RZ	DRC-12V015W1RZ	DRC-24V015W1RZ
--------------	----------------	----------------	----------------

### Mechanical

Case Cover	Plastic	
Dimensions (H x W x D)	87.5 x 18.0 x 55.0 mm (3.45 x 0.7 x 2.17 inch)	
Unit Weight	0.06 kg (0.13 lb)	
Indicator	Green LED	DC OK
Cooling System	Convection	
Terminal <sup>*4</sup>	Input	M2.5 x 2 Pins (Rated 300 V / 16 A)
	Output	M2.5 x 2 Pins (Rated 300 V / 16 A)
Wire	Input	AWG 26-12
	Output	AWG 26-12
Mounting Rail	Standard TS35 DIN Rail in accordance with EN 60715	
Noise (1 Meter from power supply)	Sound Pressure Level (SPL) < 25 dBA	

\*4 The torque at the terminal connector shall not exceed 6 Kgf.cm. (5.2 lbf.in).

### Environment

Surrounding Air Temperature	Operating	-40°C to +70°C
	Storage	-40°C to +85°C
Power De-rating	Temperature	> 50°C de-rate power by 2% / °C
	Input Voltage	< 100 Vac de-rate power by 1% / Vac < 142 Vdc de-rate power by 1% / Vdc
Operating Humidity	5 to 95% RH (Non-Condensing)	
Operating Altitude	0 to 5,000 Meters (16,400 ft)	
Shock Test	Non-Operating	IEC 60068-2-27, Half Sine Wave: 50 G for duration of 11 ms; 3 times per direction
Vibration	Operating	IEC 60068-2-6, Sine Wave: 10 Hz to 500 Hz @ 2 G; 10 min per cycle, 60 min for X, Y, Z direction
Over Voltage Category	II (Compliance to EN 62477-1 OVC III with 2000 meters altitude)	
Pollution Degree	2	

# Chrome II DIN Rail Power Supply

## DRC-15W Series (Class II & NEC Class 2) / DRC-□V015W1RZ

Model Number	DRC-05V015W1RZ	DRC-12V015W1RZ	DRC-24V015W1RZ
--------------	----------------	----------------	----------------

### Protections

Overvoltage	< 7.5 V, SELV Output Auto Mode	< 18 V, SELV Output Auto Mode	< 36 V, SELV Output Auto Mode
Overload / Overcurrent	101 - 150% of rated load current, Auto-recovery Continuous current limit Mode*5 (Vo > 80%)		
Over Temperature	Auto Mode		
Short Circuit	Hiccup Mode, Non-Latching (Auto-Recovery when the fault is removed)		
Internal Fuse at L pin	T3.15A / 250V		
Degree of Protection	IP20		
Protection Against Shock	Class II (No PE*6 connection is required)		

\*5 Constant current limit protection for inductive and capacitive load applications

\*6 PE: Primary Earth

### Reliability Data

MTBF	Telcordia SR-332	> 700,000 hrs I/P: 115 Vac & 230 Vac, O/P: 100% load, Ta: 25°C
Expected Cap Life Time		10 years (115 Vac & 230 Vac, 50% load @ 40°C)

### Safety Standards / Directives

Electrical Safety	CB scheme TUV Bauart UL/cUL EAC BSMI BIS CCC	IEC 62368-1, IEC/EN/BS 61010-1/-2-201, IEC 60335-1, IEC/EN/BS 61558-1/-2-16 EN/BS 62368-1 UL 62368-1, UL 61010-1/-2-201 TP TC 004/2011 CNS 15598-1 IS 13252 (Part 1) GB 4943.1
Class 2 Power Supply	UL/cUL recognized	UL 62368-1 and CSA C22.2 No. 62368-1
CE		In conformance with EMC Directive 2014/30/EU and Low Voltage Directive 2014/35/EU
UKCA		In conformance with Electrical Equipment (Safety) Regulations 2016 and Electromagnetic Compatibility Regulations 2016
Galvanic Isolation	Input to Output	4.0 kVac

# Chrome II DIN Rail Power Supply

## DRC-15W Series (Class II & NEC Class 2) / DRC-□V015W1RZ

Model Number	DRC-05V015W1RZ	DRC-12V015W1RZ	DRC-24V015W1RZ
--------------	----------------	----------------	----------------

## EMC

Emissions (CE & RE)		CISPR 32, EN/BS 55032, AS/NZS CISPR32, EN 61204-3, KS C 9832 Compliance to FCC Title 47, EN/BS 61000-6-3, EN/BS EN 61000-6-4: Class B
Component Power Supply for General		EN 61204-3
Immunity		EN/BS 55035, KS C 9835, EN/BS 61000-6-2 Compliance to EN 61000-6-1
Electrostatic Discharge	IEC 61000-4-2	Level 4 Criteria A <sup>1)</sup> Air Discharge: 15 kV Contact Discharge: 8 kV
Radiated Field	IEC 61000-4-3	Criteria A <sup>1)</sup> 80 MHz – 1 GHz, 10 V/M, 80% Modulation (1 kHz) 1.4 GHz – 2 GHz, 3 V/M, 80% Modulation (1 kHz) 2 GHz – 2.7 GHz, 1 V/M, 80% Modulation (1 kHz)
Electrical Fast Transient / Burst	IEC 61000-4-4	Level 3 Criteria A <sup>1)</sup> 2 kV
Surge	IEC 61000-4-5	Level 4 Criteria A <sup>1)</sup> Differential Mode <sup>4)</sup> : 2 kV
Conducted	IEC 61000-4-6	Level 3 Criteria A <sup>1)</sup> 150 kHz – 80 MHz, 10 Vrms
Power Frequency Magnetic Fields	IEC 61000-4-8	Level 4 Criteria A <sup>1)</sup> 30 A/m
Voltage Dips and Interruptions	IEC 61000-4-11	0% residual; 1 cycle, Criteria B <sup>2)</sup> 40% residual; 10 cycle, Criteria C <sup>3)</sup> 70% residual; 25 cycle, Criteria C <sup>3)</sup>
Harmonic Current Emission		IEC/EN 61000-3-2, Class A
Voltage Fluctuation and Flicker		IEC/EN 61000-3-3
Voltage Sag Immunity SEMI F47 – 0706		80% of 200 Vac, 160 Vac for 1000 ms, Criteria A1) 70% of 200 Vac, 140 Vac for 500 ms, Criteria A1) 50% of 200 Vac, 100 Vac for 200 ms, Criteria A1)

1) Criteria A: Normal performance within the specification limits

2) Criteria B: Temporary degradation or loss of function which is self-recoverable

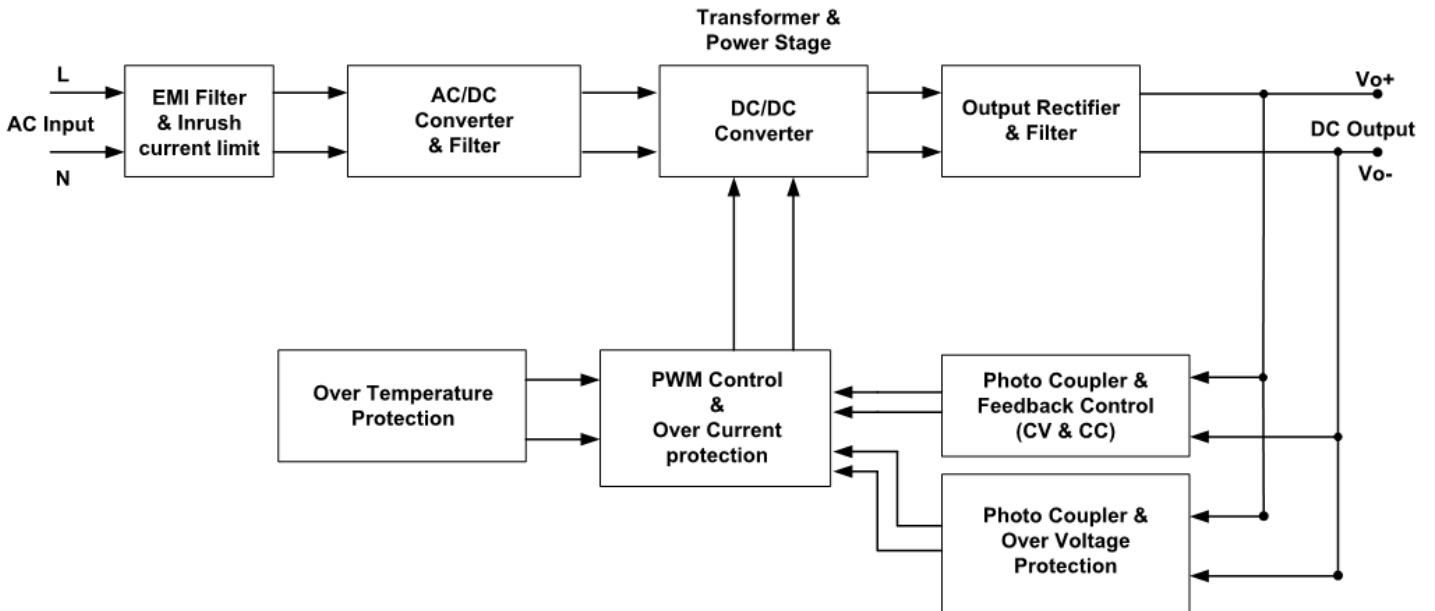
3) Criteria C: Output out of regulation, shuts down during test (Need to recycle AC power cord to normal operation after test)

4) Symmetrical: Differential mode (Line to line)

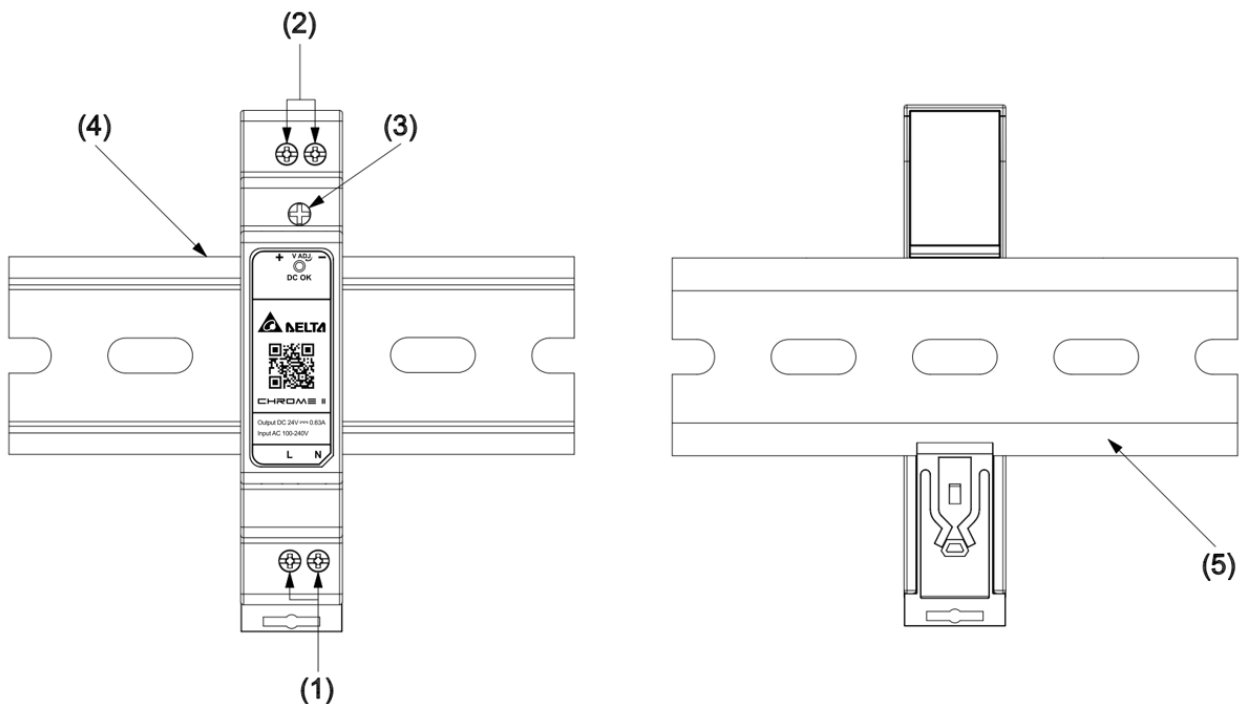
# Chrome II DIN Rail Power Supply

## DRC-15W Series (Class II & NEC Class 2) / DRC-□V015W1RZ

### Block Diagram



### Device Description



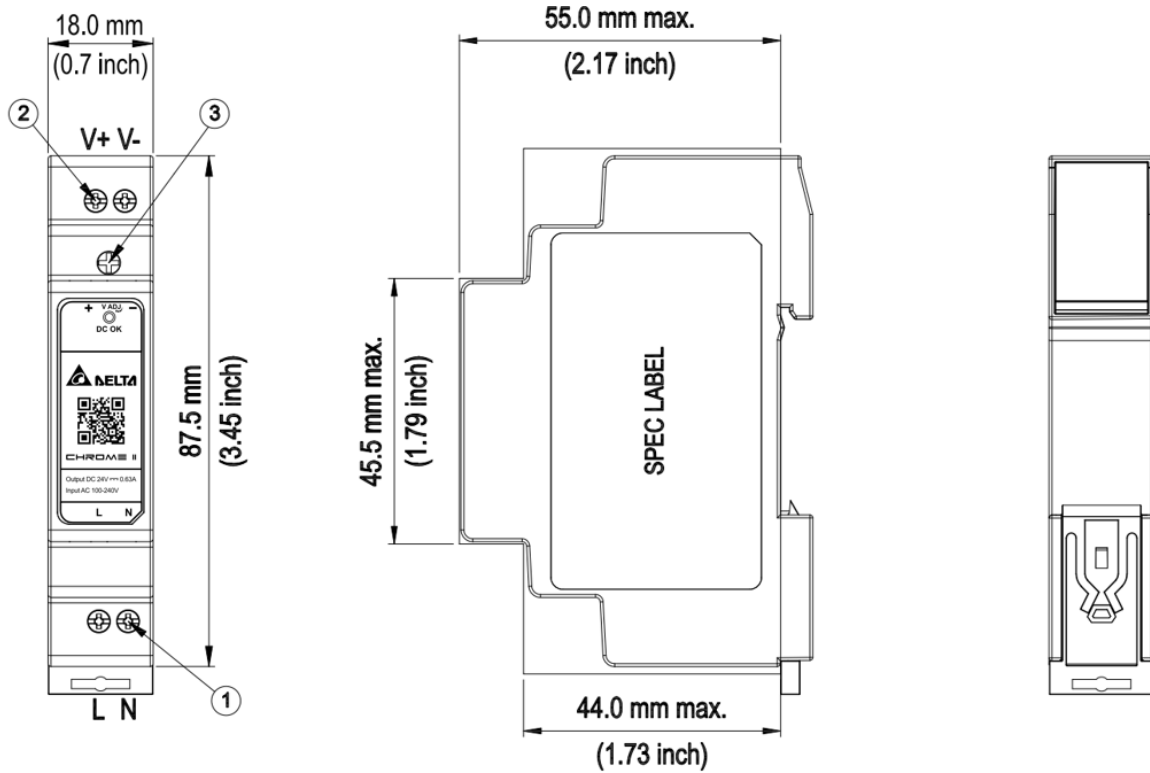
- 1) Input terminal block connector
- 2) Output terminal block connector
- 3) DC voltage adjustment potentiometer
- 4) DC OK LED (Green)
- 5) Universal mounting rail system

# Chrome II DIN Rail Power Supply

## DRC-15W Series (Class II & NEC Class 2) / DRC-□V015W1RZ

### Dimensions

H x W x D: 87.5 x 18.0 x 55.0 mm (3.45 x 0.7 x 2.17 inch)



Item	Device Description
1	Input terminal block connector
2	Output terminal block connector
3	DC voltage adjustment potentiometer

### AWG Wire Table

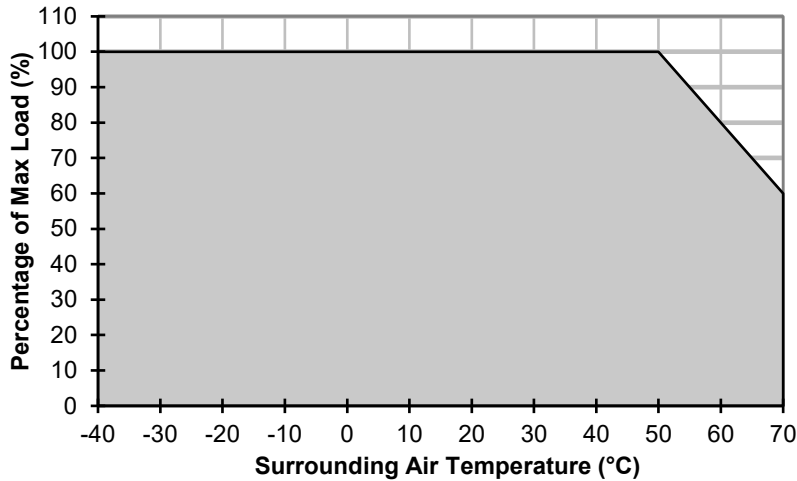
Current Rating for PVC Wire	
6 AWG	52.5 A
8 AWG	37.5 A
10 AWG	29.0 A
12 AWG	22.5 A
14 AWG	16.5 A
16 AWG	12.0 A
18 AWG	9.0 A
20 AWG	6.5 A
22 AWG	5.0 A
24 AWG	3.5 A
26 AWG	2.5 A
28 AWG	2.0 A
30 AWG	1.5 A

# Chrome II DIN Rail Power Supply

## DRC-15W Series (Class II & NEC Class 2) / DRC-□V015W1RZ

### Engineering Data

#### Output Load De-rating VS Surrounding Air Temperature

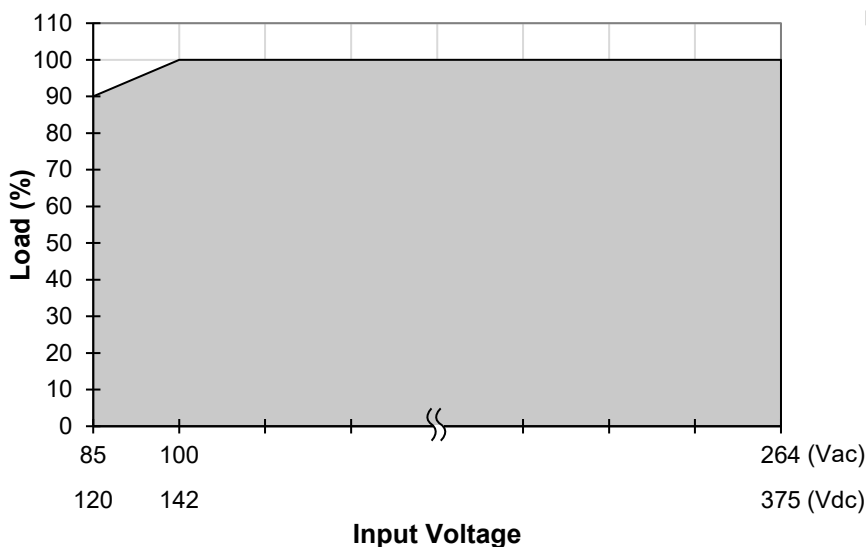


**Fig. 1 De-rating for Vertical Mounting Orientation**  
 > 50°C de-rate power by 2.0% / °C

#### Note

1. Power supply components may degrade, or be damaged, when the power supply is continuously used outside the shaded region, refer to the graph shown in Fig. 1.
2. The power supply will have a longer rise time when the ambient temperature range is -30°C to -40°C.
3. If the output capacity is not reduced when the surrounding air temperature > 50°C, the device will run into Over Temperature Protection. When activated, power supply will latch off, until the surrounding air temperature is lowered or the load is reduced as far as necessary to keep the device in working condition, and require removal/re-application of input AC voltage in order to restart.
4. In order for the device to function in the manner intended, it is also necessary to keep a safety distance as recommended in the safety instructions while the device is in operation.
5. Depending on the surrounding air temperature and output load delivered by the power supply, the device can be very hot!
6. Need to consider power de-rating if Surrounding Air Temperature is > 50°C.
7. If the device has to be mounted in any other orientation, please leave a message via the [Contact Us](#) form.

#### Output Load De-rating VS Input Voltage



**Fig. 2 De-rating for AC Input Voltage**  
 < 100 Vac de-rate power by 1 % / Vac  
 < 142 Vdc de-rate power by 1 % / Vdc

- No output power de-rating for the input voltage from 100 Vac to 264 Vac & 142 Vdc to 375 Vdc

# Chrome II DIN Rail Power Supply

## DRC-15W Series (Class II & NEC Class 2) / DRC-□V015W1RZ

### Assembly & Installation

The power supply unit (PSU) can be mounted on 35 mm DIN rails in accordance with EN 60715. The device should be installed with input terminal block at the bottom.

Each device is delivered ready to install.

#### Mounting

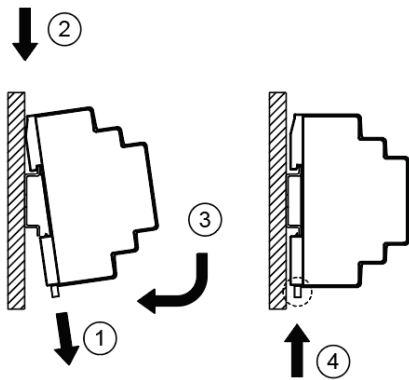


Fig. 2.1 Mounting

Snap on the DIN rail as shown in Fig. 2.1:

1. Pull the unit's DIN rail latch OUT.
2. Tilt the unit slightly upwards, hook the top end onto the DIN rail and push downwards until stopped.
3. Position the bottom front end against the DIN rail.
4. Push the unit's latch DIN rail IN to lock.

#### Dismounting

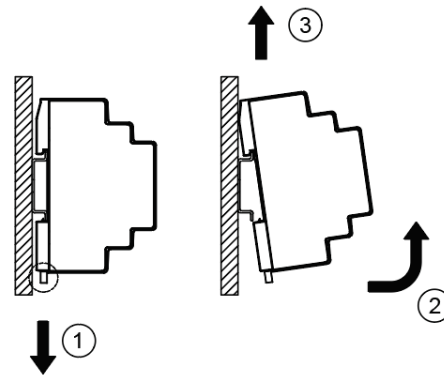
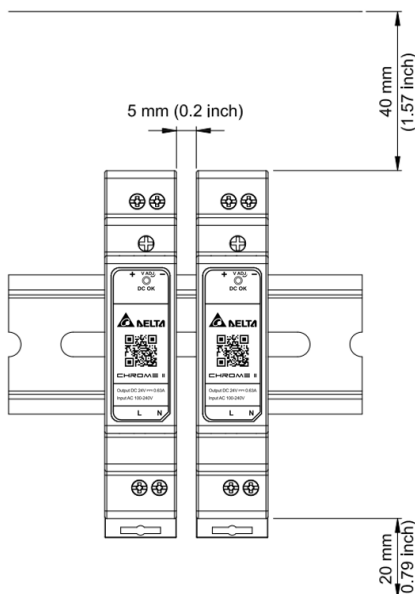


Fig. 2.2 Dismounting

To uninstall, pull the unit's DIN rail latch OUT as shown in Fig. 2.2. Tilt the bottom part of the unit out. Push the unit up and pull out from the DIN rail.

### Safety Instructions

#### Vertical Mounting



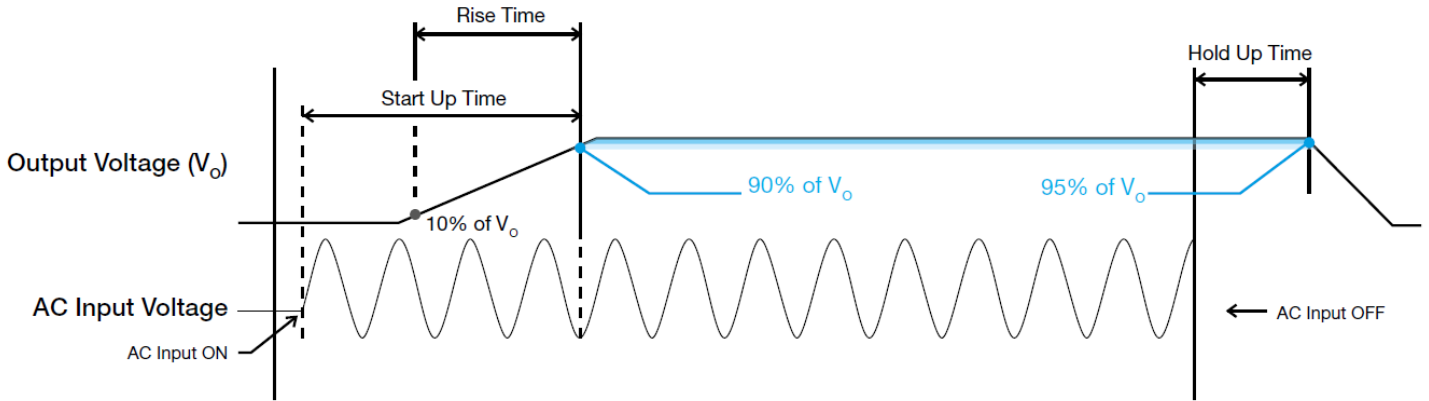
- ALWAYS switch mains of input power OFF before connecting and disconnecting the input voltage to the unit. If mains are not turned OFF, there is risk of explosion / severe damage.
- To guarantee sufficient convection cooling, keep a distance of 40 mm (1.57 inch) above and 20 mm (0.79 inch) below the device as well as a lateral distance of 5 mm (0.2 inch) to other units and if load less than 50%, lateral distance can be 0 mm. In case the adjacent device is a heat source, the lateral distance will be 15 mm (0.6 inch).
- Note that the enclosure of the device can become very hot depending on the surrounding air temperature and load of the power supply. Risk of burns!
- The main power must be turned off before connecting or disconnecting wires to the terminals.
- DO NOT insert any objects into the unit.
- Hazardous voltages may be present for up to 5 minutes after the input mains voltage is disconnected. Do not touch the unit during this time.
- The power supplies are built in units and must be installed in a cabinet or room (condensation free environment and indoor location) that is relatively free of conductive contaminants.

# Chrome II DIN Rail Power Supply

## DRC-15W Series (Class II & NEC Class 2) / DRC-□V015W1RZ

### Functions

Graph illustrating the Start-up Time, Rise Time, and Hold-up Time



### Start-up Time

The time required for the output voltage to reach 90% of its final steady state set value, after the input voltage is applied.

### Rise Time

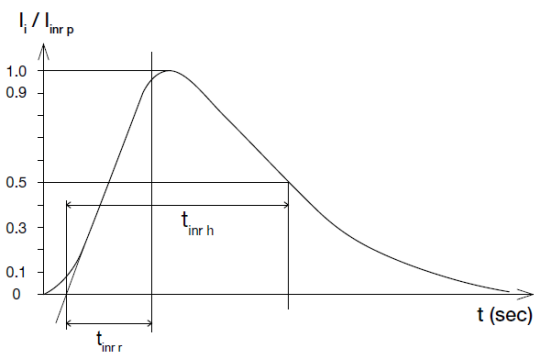
The time required for the output voltage to change from 10% to 90% of its final steady state set value.

### Hold-up Time

Time between the collapse of the AC input voltage, and the output falling to 95% of its steady state set value.

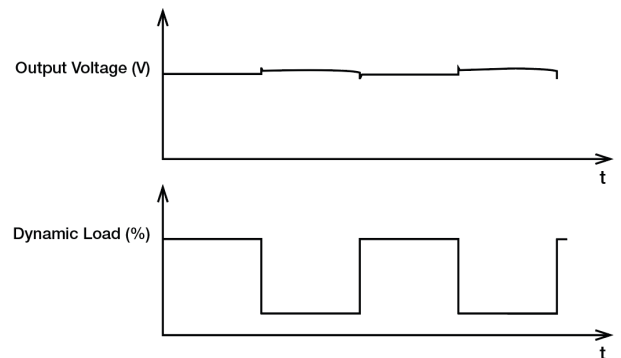
### Inrush Current

Inrush current is the peak, instantaneous, input current measured and, occurs when the input voltage is first applied. For AC input voltages, the maximum peak value of inrush current will occur during the first half cycle of the applied AC voltage. This peak value decreases exponentially during subsequent cycles of AC voltage.



### Dynamic Response

The power supply output voltage will remain within  $\pm 10\%$  of its steady state value, when subjected to a dynamic load from 10% to 100% of its rated current.

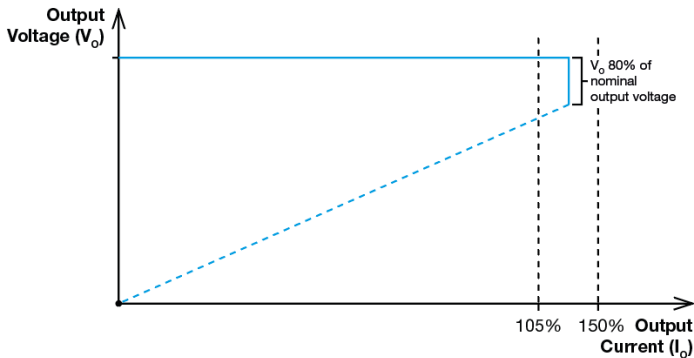


# Chrome II DIN Rail Power Supply

## DRC-15W Series (Class II & NEC Class 2) / DRC-□V015W1RZ

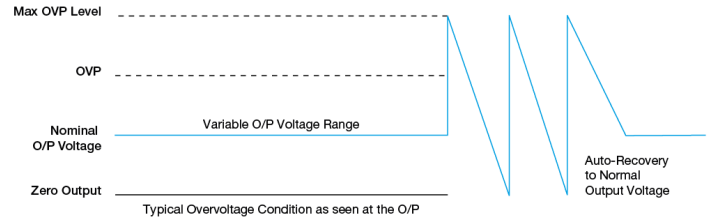
### Overload & Overcurrent Protections (Continuous Current)

The power supply offers constant current limit protection for inductive and capacitive load applications when output current range is 105~150% of  $I_o$  (Max load) and output voltage large than 80%. Upon such an occurrence, the  $V_o$  (output voltage) will start to droop. Once the power supply has reached its maximum power limit, the protection will be activated; and, the power supply will operate in continuous current. The power supply will recover once the cause of OLP or OCP is removed, and  $I_o$  (output current) is back within the specified range.



### Overvoltage Protection (Auto-Recovery)

The power supply's overvoltage circuit will be activated when its internal feedback circuit fails. The output voltage shall not exceed its specifications defined on Page 4 under "Protections".

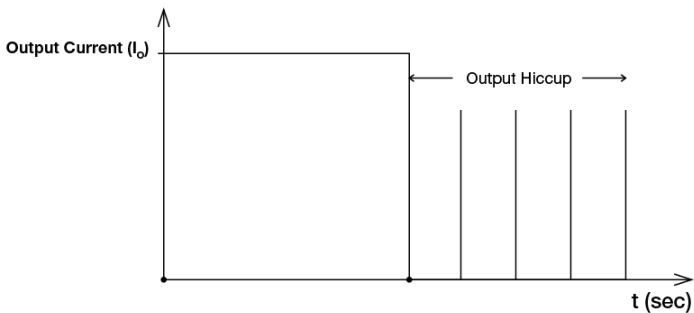


### Over Temperature Protection (Auto-Recovery)

As described in load de-rating section, the power supply also has Over Temperature Protection (OTP). In the event of a higher operating temperature at 100% load, the power supply will run into OTP when the operating temperature is beyond what is recommended in the de-rating graph. When activated, the output voltage will go into bouncing mode until the temperature drops to its normal operating temperature as recommended in the de-rating graph.

### Short Circuit Protection (Auto-Recovery)

The power supply's output Short Circuit Protection function also provides protection against short circuits. When a short circuit is applied, the output current will operate in "Hiccup mode". The power supply will return to normal operation after the short circuit is removed.



# Chrome II DIN Rail Power Supply

## DRC-15W Series (Class II & NEC Class 2) / DRC-□V015W1RZ

### Others

#### Attention

Delta provides all information in the datasheets on an "AS IS" basis and does not offer any kind of warranty through the information for using the product. In the event of any discrepancy between the information in the catalog and datasheets, the datasheets shall prevail (please refer to [www.DeltaPSU.com](http://www.DeltaPSU.com) for the latest datasheets information). Delta shall have no liability of indemnification for any claim or action arising from any error for the provided information in the datasheets. Customer shall take its responsibility for evaluation of using the product before placing an order with Delta.

Delta reserves the right to make changes to the information described in the datasheets without notice.

### Manufacturer and Authorized Representatives Information

#### Manufacturer

##### Thailand

Delta Electronics (Thailand) PCL.  
909 Pattana 1 Rd., Muang, Samutprakarn, 10280 Thailand

##### Taiwan

Delta Electronics, Inc.  
3 Tungyuan Road, Chungli Industrial Zone, Taoyuan County  
32063, Taiwan

#### Authorized Representatives

##### The Netherlands

Delta Greentech (Netherlands) B.V.  
Zandsteen 15, 2132 MZ Hoofddorp, The Netherlands

##### United Kingdom

Delta Electronics Europe Limited  
1 Redwood Court, Peel Park Campus,  
East Kilbride, Glasgow, G74 5PF, United Kingdom

## X-ON Electronics

Largest Supplier of Electrical and Electronic Components

*Click to view similar products for [DIN Rail Power Supplies](#) category:*

*Click to view products by [Delta](#) manufacturer:*

Other Similar products are found below :

[DVP01PU-S](#) [DVPPS02](#) [PS-C24024](#) [ADNB040-24-1PM-C](#) [SS14011524](#) [PSC-6024](#) [PS-C12024](#) [PSC-2024](#) [TRIO-PS-2G/1AC/12DC/5/C2LP](#)  
[PSD-A120W12](#) [NDR-7524](#) [787-1200.](#) [AMED75-48SJZ](#) [1SVR427043R1200](#) [50995](#) [50903](#) [EL50-D](#) [50996](#) [HDN-3024](#) [ISED-120-24](#)  
[1335698](#) [POS DIN30W24](#) [SPB-015-12](#) [EL50-B](#) [50905](#) [DRB240-48-1](#) [DRS-480-48](#) [POS DIN30W15](#) [POS MDIN60W12](#) [HDN-3012](#)  
[CFM50S240-SD](#) [DRB240-24-3-A0](#) [POS DIN60W24](#) [XCSD1030W012VAA](#) [DRB120-12-3-A1](#) [POS DIN60W15](#) [CFM70S050-SD](#) [50904](#)  
[SPB-030-12](#) [DRB120-48-1](#) [CFM70S120-SD](#) [POS DIN100W15](#) [CFM70S240-SD](#) [POS DIN30W12](#) [CFM50S480-SD](#) [CFM70S150-SD](#) [HDN-](#)  
[6012](#) [POS MDIN100W12](#) [CFM70S360-SD](#) [POS MDIN40W24](#)