

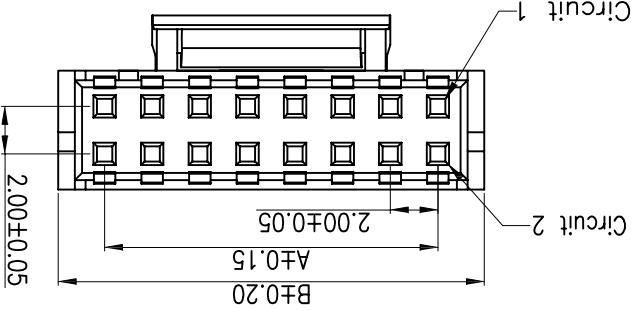
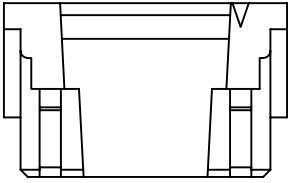
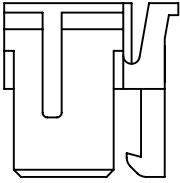
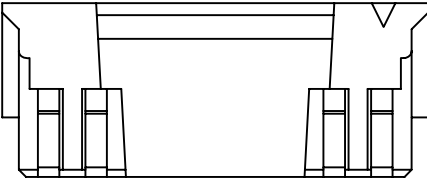
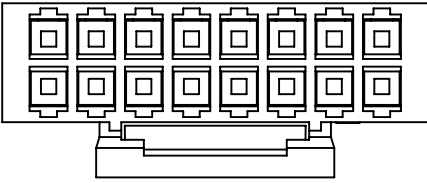
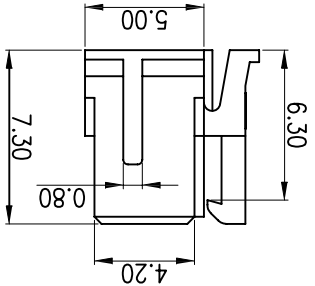
REV. A		DESCRIPTION	DATE	DESIGN
A		变更料号	16/11/22	新亮

REV. A/1	SCALE 1:1	UNIT: mm	SHEET 1 OF 1
DRAW NAME: A2006HC-2XNP		P/N NO:	DATE:
DESIGN: 陈雪峰	2015.10.09	CHECK: 杨焯	REVIEW:

DIM	TOL	X.XX	/
DIM	TOL	X.X	0.25
DIM	TOL	X.XX	0.15
DIM	TOL	X.XXX	0.10

PART NO.	A	B
A2006HC-2X02P	2.00	6.00
A2006HC-2X03P	4.00	8.00
A2006HC-2X04P	6.00	10.00
A2006HC-2X05P	8.00	12.00
A2006HC-2X06P	10.00	14.00
A2006HC-2X07P	12.00	16.00
A2006HC-2X08P	14.00	18.00
A2006HC-2X09P	16.00	20.00
A2006HC-2X10P	18.00	22.00
A2006HC-2X11P	20.00	24.00
A2006HC-2X12P	22.00	26.00
A2006HC-2X13P	24.00	28.00
A2006HC-2X14P	26.00	30.00
A2006HC-2X15P	28.00	32.00
A2006HC-2X16P	30.00	34.00
A2006HC-2X17P	32.00	36.00
A2006HC-2X18P	34.00	38.00
A2006HC-2X19P	36.00	40.00
A2006HC-2X20P	38.00	42.00



NOTES:  
 CURRENT RATING: 3A AC/DC.  
 VOLTAGE RATING: 250V AC/DC.  
 TEMPERATURE RANGE: -40°C ~ +105°C.  
 CONTACT RESISTANCE: 10MΩ Max.  
 INSULATION RESISTANCE: 1000MΩ Min.  
 WITHSTANDING VOLTAGE: 800V AC/MINUTE.  
 MATERIAL: PA66.UL94V-0.

REV. A	ECN NO.	DESCRIPTION	DATE	DESIGN
A		变更料号	16/11/22	新亮

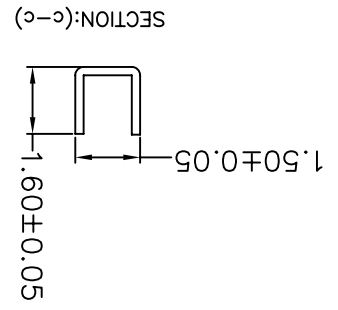
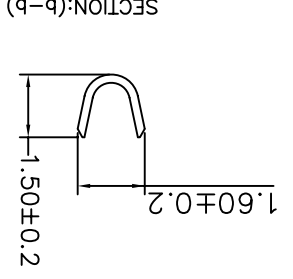
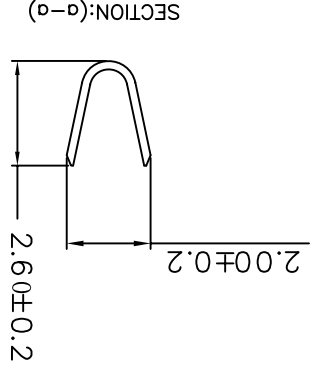
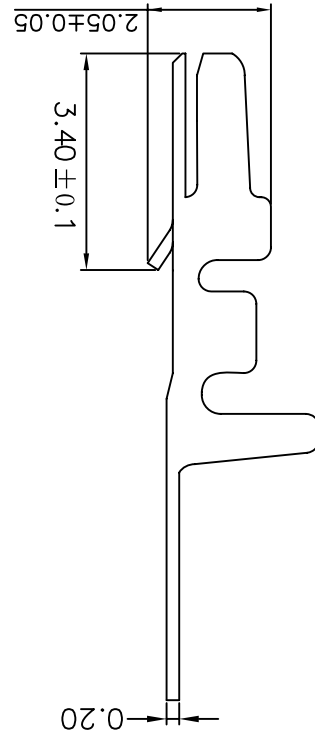
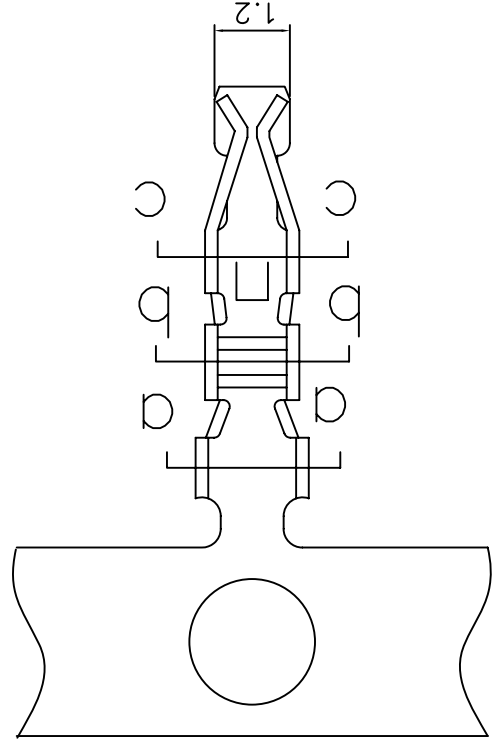
Part NO.	Wire range	Insulation O.D.	Materials	Finish	Qty/reel
A2006-TP	AWG#22-28	1.5mm(max)	Phosphor Bronze	Tin-plated	1000PCS
A2006-1PE	AWG#22-28	1.5mm(max)	Phosphor Bronze	Tin-plated	1000PCS

DIM	TOL	DIM	TOL
X.XX	/	X.XX	/
X.XX	0.15	X.XX	0.25
X.XX	/	X.XX	/
X.XX	/	X.XX	/

REV. NO.	DATE	P/N NO.	DRAW NAME:
A	2017.06.08	A2006-XXX	2.0mm pitch Terminal

REV. A/1	SCALE 1:1	UNIT: mm	SHEET: 1 OF 1
----------	-----------	----------	---------------

**CNJM** Joint More Precision electronics Co.,Ltd.



REV. A	ECN NO.	DESCRIPTION	DATE
		變遷料号	16/11/22
		苏亮	

REV.	A		
ECN NO.			
DESCRIPTION	变更料号		
DATE	16/01/09		
DESIGN	苏亮		

**SPECIFICATIONS**

- 1) Voltage rating: 250V AC, DC.
- 2) Current rating: 3A AC, DC.
- 3) Withstanding voltage: 800V AC/minute.
- 4) Insulation resistance: 1,000M Ohm min.
- 5) Temperature range: -40~+105°.
- 6) Contact resistance: Initial value/10m ohm max, after environmental testg /20m ohm max.

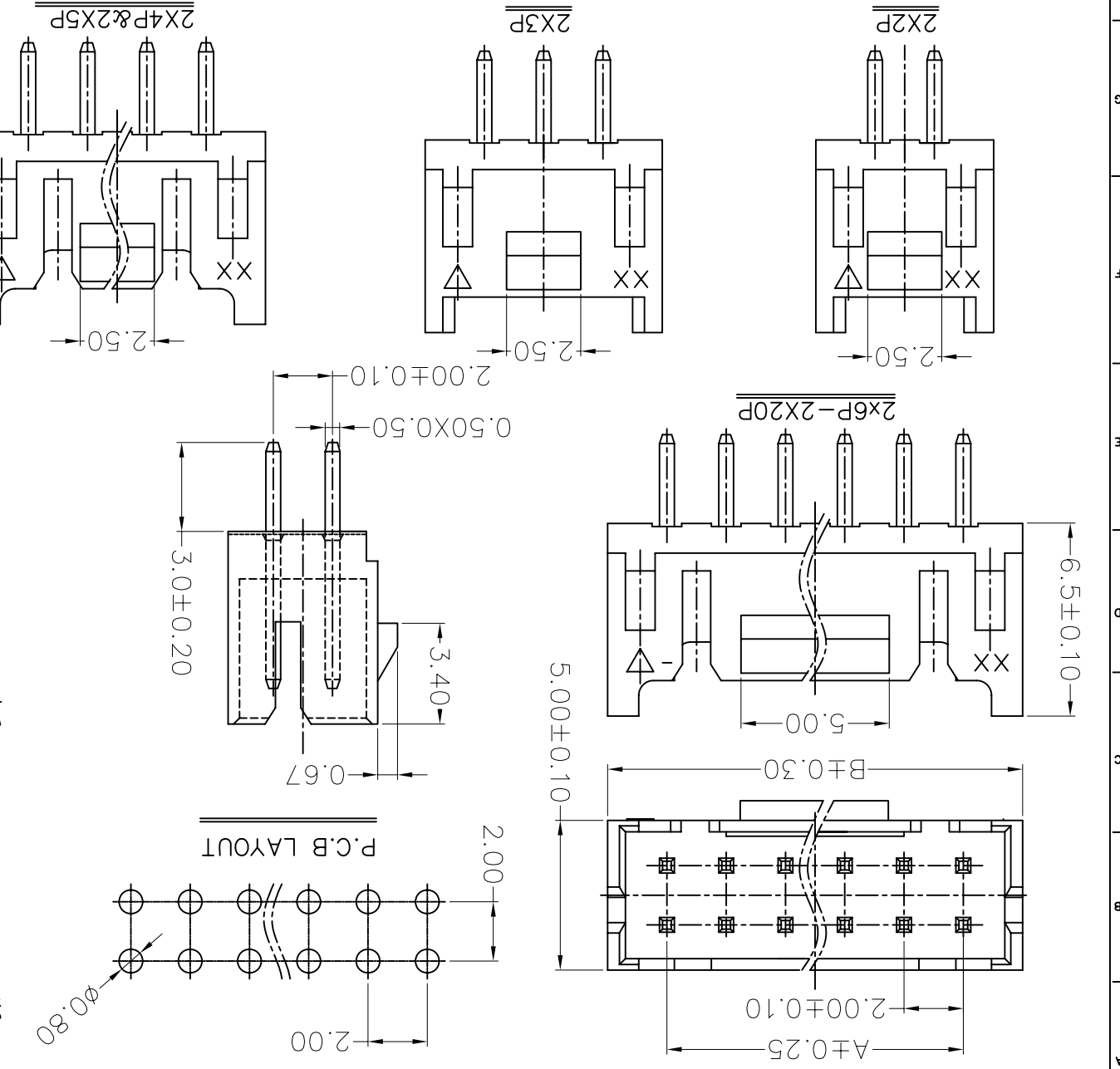
**WAFER**

- 1) Part No.: A2006WVC-2XNP
- 2) Poles: 4-40
- 3) Material: Contact: Brass, Tin plated  
Base: PA66+GF UL94V-0
- 4) Qty: 1000pcs/bag

Poles	Part No.		Dimensions	
	A	B	A	B
4	A2006WVC-2X02P	2.00	4.00	6.00
6	A2006WVC-2X03P	4.00	6.00	8.00
8	A2006WVC-2X04P	6.00	8.00	10.00
10	A2006WVC-2X05P	8.00	10.00	12.00
12	A2006WVC-2X06P	10.00	12.00	14.00
14	A2006WVC-2X07P	12.00	14.00	16.00
16	A2006WVC-2X08P	14.00	16.00	18.00
18	A2006WVC-2X09P	16.00	18.00	20.00
20	A2006WVC-2X10P	18.00	20.00	22.00
22	A2006WVC-2X11P	20.00	22.00	24.00
24	A2006WVC-2X12P	22.00	24.00	26.00
26	A2006WVC-2X13P	24.00	26.00	28.00
28	A2006WVC-2X14P	26.00	28.00	30.00
30	A2006WVC-2X15P	28.00	30.00	32.00
32	A2006WVC-2X16P	30.00	32.00	34.00
34	A2006WVC-2X17P	32.00	34.00	36.00
36	A2006WVC-2X18P	34.00	36.00	38.00
38	A2006WVC-2X19P	36.00	38.00	40.00
40	A2006WVC-2X20P	38.00	40.00	42.00

**CNJM** Joint More Precision electronics Co., Ltd.

DRAW NO.	DATE	P/N NO.	DRAW NAME:
DESIGN:	2017.06.03	A2006WVC-2XNP	2.0mm pitch wafer 带扣
CHECK:	陈雪峰		
REVIEW:	杨焯		
REV. A/1	SCALE 1:1	UNIT: mm	SHEET: 1 OF 1



DIM	TOL	X.XXX	0.10
DIM	TOL	X.XX	0.15
DIM	TOL	X.X	0.25
DIM	TOL	X.	/
DIM	TOL	X.	/
DIM	TOL	X.XXX	/

DIM	X.XX	X.XXX
TOL	0.15	0.10
DIM	X.X	X.XXX
TOL	0.25	
	X.	
	X.	
	X.	
	X.	

REV. A/1	SCALE 1:1	UNIT: mm	SHEET: 1 OF 1
REVIEW:	CHECK: 杨焯	DESIGN: 陈喜峰	DATE: 2017.06.03
REVIEW:			
REVIEW:			

REV. A/1	SCALE 1:1	UNIT: mm	SHEET: 1 OF 1
REVIEW:	CHECK: 杨焯	DESIGN: 陈喜峰	DATE: 2017.06.03
REVIEW:			
REVIEW:			

**CNJM** Joint More Precision electronics Co., Ltd.

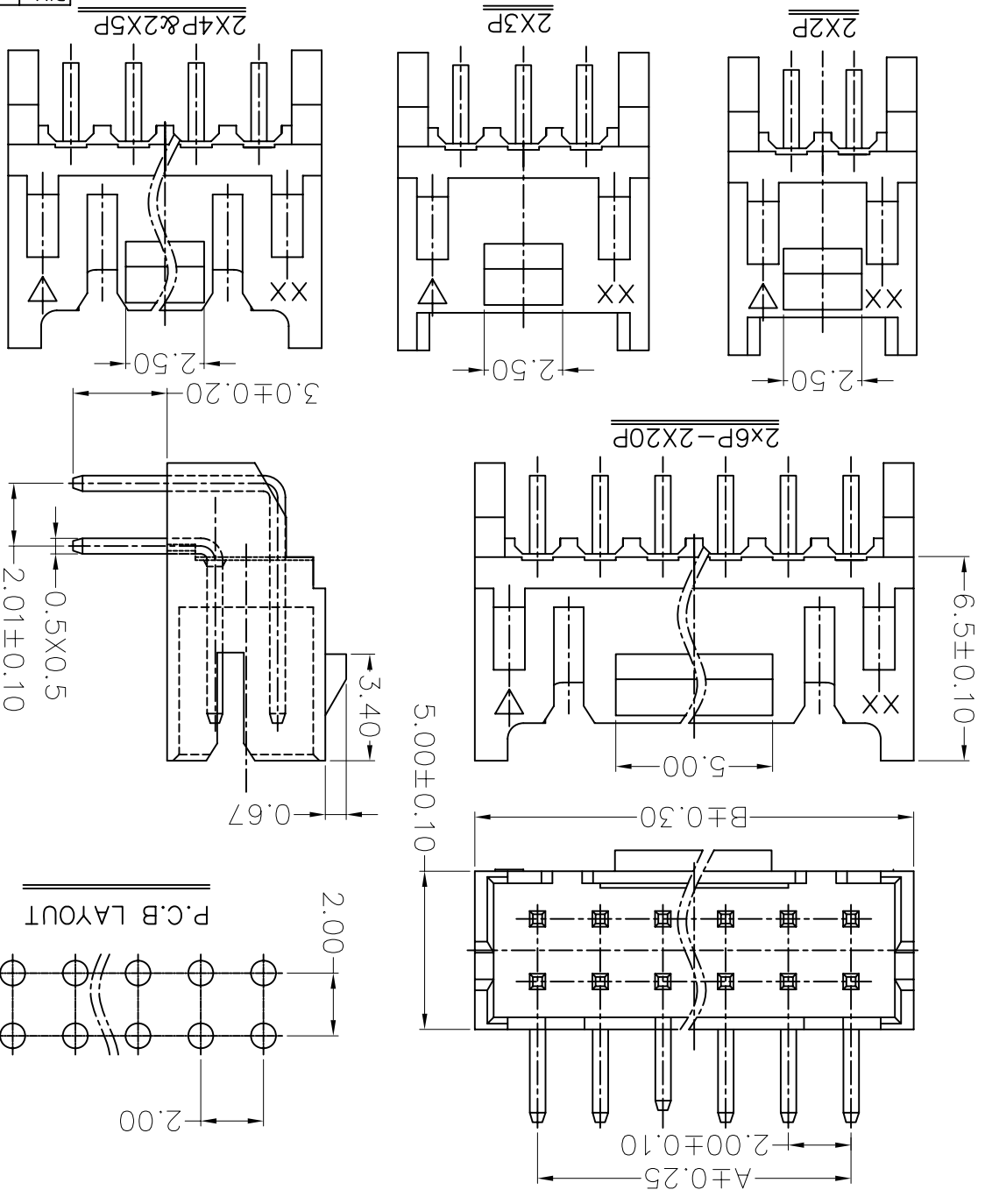
Part No.	Dimensions
A2006WRC-2X02P	2.00
A2006WRC-2X03P	4.00
A2006WRC-2X04P	6.00
A2006WRC-2X05P	8.00
A2006WRC-2X06P	10.00
A2006WRC-2X07P	12.00
A2006WRC-2X08P	14.00
A2006WRC-2X09P	16.00
A2006WRC-2X10P	18.00
A2006WRC-2X11P	20.00
A2006WRC-2X12P	22.00
A2006WRC-2X13P	24.00
A2006WRC-2X14P	26.00
A2006WRC-2X15P	28.00
A2006WRC-2X16P	30.00
A2006WRC-2X17P	32.00
A2006WRC-2X18P	34.00
A2006WRC-2X19P	36.00
A2006WRC-2X20P	38.00
A2006WRC-2X21P	40.00
A2006WRC-2X22P	42.00

- 1) Part No.: A2006WRC-2XNP  
 2) Poles: 4-40  
 3) Material: Contact: Brass, Tin plated  
 Base: PA66+GF UL94V-0  
 4) Qty: 1000pcs/bag

**WAFER**

- 1) Voltage rating: 250V AC, DC.  
 2) Current rating: 3A AC, DC.  
 3) Withstanding voltage: 800V AC/minute.  
 4) Insulation resistance: 1,000M Ohm min.  
 5) Temperature range: -25~+85°.  
 6) Contact resistance: Initial value/10m  
 omega max, after environmental testy  
 /20m omega max.

REV. A	DESCRIPTION	变更料号	DATE	16/01/09
ECN NO.				
DESIGN				



DIM	TOL	X.X	0.10	X.XXX
DIM	TOL	X.X	0.15	X.XXX
DIM	TOL	X.X	0.25	X.XXX
DIM	TOL	X.	/	X.XXX
DIM	TOL	X.	/	X.XXX

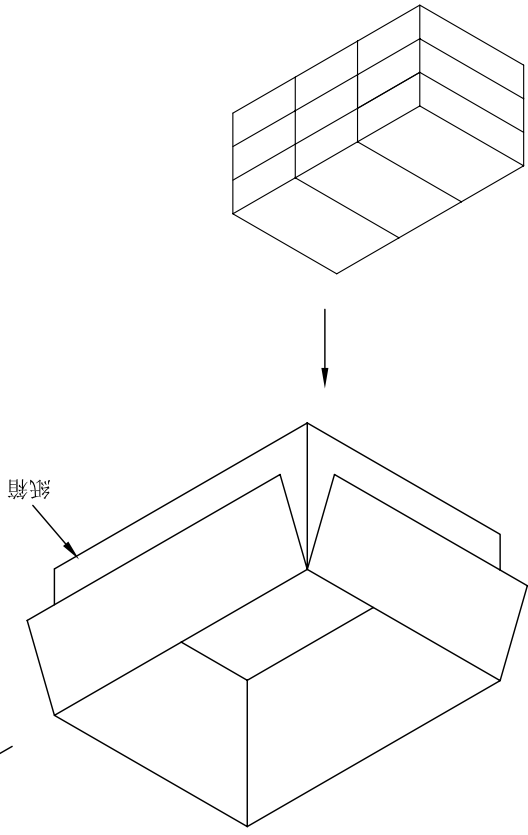
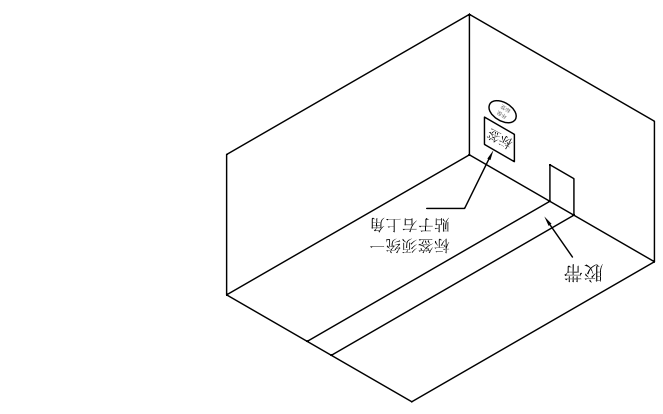
REV. A/1	SCALE 1:1	UNIT: mm	SHEET: 1 OF 1
REVIEW:	CHECK: 杨焯	DESIGN: 陈雪峰	DATE: 2017.2.9

DRAW NAME: P/N NO: DATE: DRAW NO.

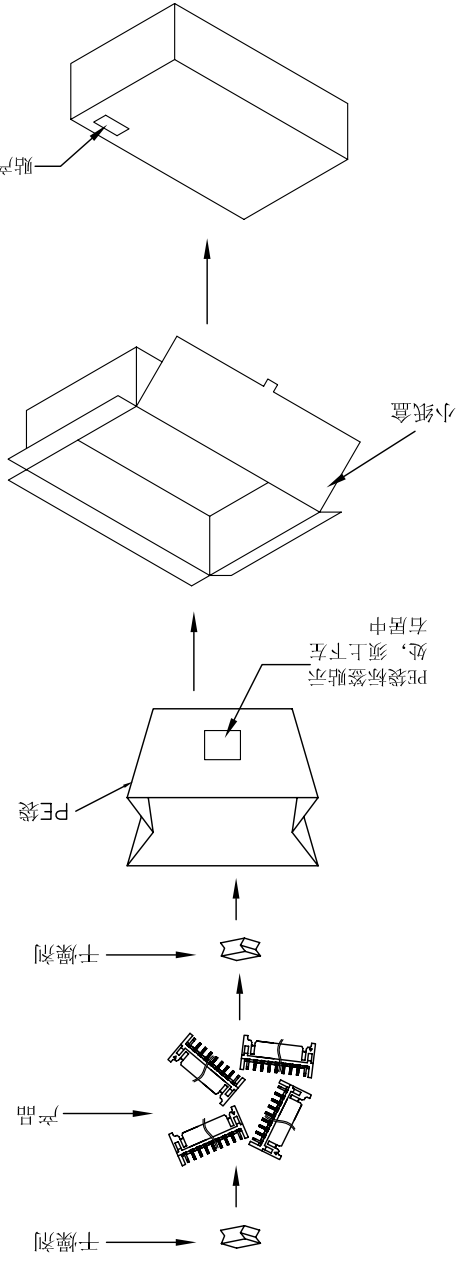
PHI2.0 90° Water 系列袋包装规范

# CNJM Joint More Precision electronics Co., Ltd.

产品料号	PE袋规格	PE袋包装数量	纸箱包装数量
A2006WR-2X02P	18*24cm	1000	9000
A2006WR-2X03P	18*24cm	1000	9000
A2006WR-2X04P	18*24cm	1000	9000
A2006WR-2X05P	21*26cm	1000	4500
A2006WR-2X06P	18*24cm	500	4500
A2006WR-2X07P	18*24cm	500	4500
A2006WR-2X08P	21*26cm	500	4500
A2006WR-2X09P	21*26cm	500	4500
A2006WR-2X10P	21*26cm	500	4500
A2006WR-2X11P	21*26cm	500	4500
A2006WR-2X12P	21*26cm	400	3600
A2006WR-2X13P	21*26cm	400	3600
A2006WR-2X14P	21*26cm	300	2700
A2006WR-2X15P	21*26cm	300	2700
A2006WR-2X16P	21*26cm	200	1800
A2006WR-2X17P	21*26cm	200	1800
A2006WR-2X18P	21*26cm	200	1800
A2006WR-2X19P	21*26cm	150	1350
A2006WR-2X20P	21*26cm	150	1350



- 注意:
1. 将产品轻轻放入PE袋并在PE袋底部和口部各放一包干燥剂, 不能将产品端子或PIN针弄变形, 最后将PE袋密封好, 后在PE袋外贴1PCS产品标签。
  2. 将封好的PE袋装入小纸盒内并扣上小纸盒盖子, 每个小纸盒内只放一袋产品。(小纸盒外右上角需贴1PCS产品标示)
  3. 将装好产品的小纸盒平放入纸箱内, 每层平放3盒, 每层放3层, 共计9盒, 封好纸箱并在侧面右上角贴1PCS出货标签。
  4. PE袋规格: 详见包装列表(PE袋规格为无孔)。每PE袋放入产品的数量及整箱的数量, 不能多放或少放。小纸盒规格: 25\*15\*7CM  
纸箱规格: 18.5\*10.5\*11英寸



X.XXX	X.XXX
X.XX	X.XX
X.X	X.X
X.	X.
DIM TOL	DIM TOL
0.10	0.15
0.25	0.25
X.XX	X.XX
X.XXX	X.XXX

REV. A	REV. A
SCALE 1:1	SCALE 1:1
UNIT: mm	UNIT: mm
SHEET: 1 OF 1	SHEET: 1 OF 1

REV. A	REV. A
SCALE 1:1	SCALE 1:1
UNIT: mm	UNIT: mm
SHEET: 1 OF 1	SHEET: 1 OF 1

REV. A SCALE 1:1 UNIT: mm SHEET: 1 OF 1

DESIGN: 陈雪峰 2017.06.03

CHECK: 杨焯

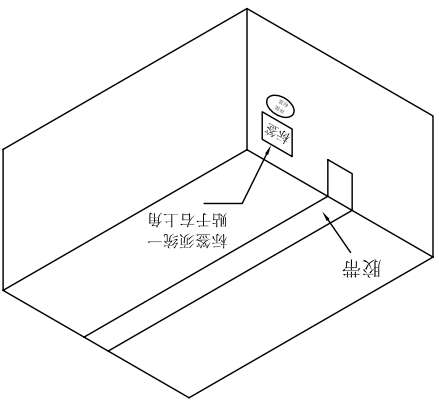
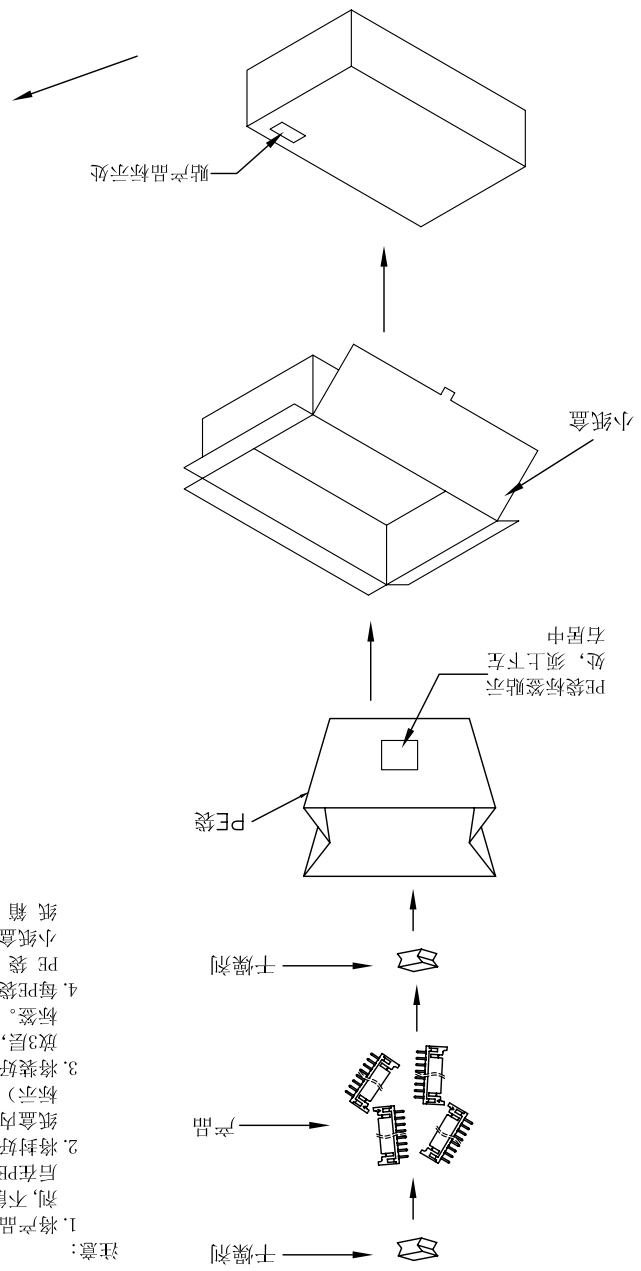
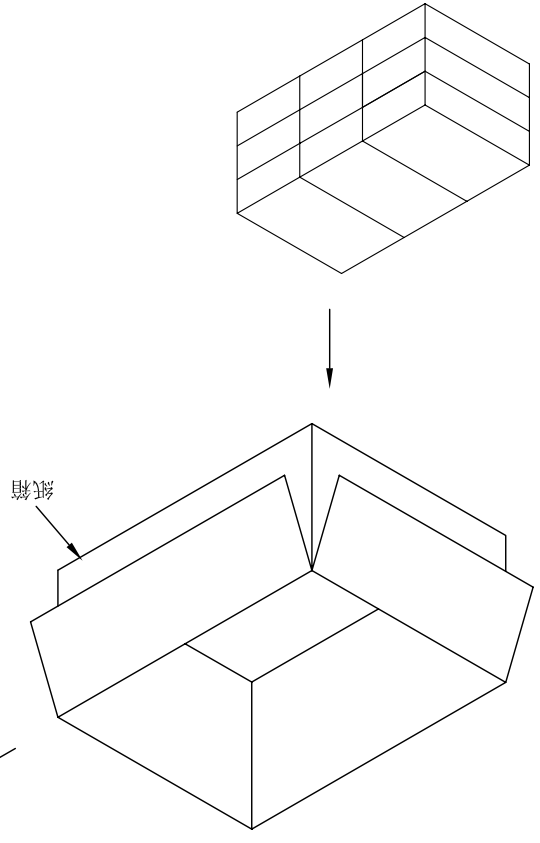
REVIEW:

DRAW NO. DATE P/N NO. DRAW NAME:

A2006W-2X20P	21*26cm	200	1800
A2006W-2X19P	21*26cm	200	1800
A2006W-2X18P	21*26cm	400	3600
A2006W-2X17P	21*26cm	400	3600
A2006W-2X16P	21*26cm	400	3600
A2006W-2X15P	21*26cm	500	4500
A2006W-2X14P	21*26cm	500	4500
A2006W-2X13P	21*26cm	500	4500
A2006W-2X12P	21*26cm	500	4500
A2006W-2X11P	21*26cm	500	4500
A2006W-2X10P	21*26cm	500	4500
A2006W-2X09P	21*26cm	500	4500
A2006W-2X08P	21*26cm	1000	9000
A2006W-2X07P	18*24cm	1000	9000
A2006W-2X06P	18*24cm	1000	9000
A2006W-2X05P	21*26cm	1000	9000
A2006W-2X04P	18*24cm	1000	9000
A2006W-2X03P	18*24cm	1000	9000
A2006W-2X02P	18*24cm	1000	9000
产品料号	PE袋规格	PE袋包装数量	纸箱包装数量
		PCS/袋	PCS/箱

**CNJM** Joint More Precision electronics Co., Ltd.

REV. A	REV. A
ECON NO.	ECON NO.
DESCRIPTION	DESCRIPTION
DATE	DATE
DESIGN	DESIGN



## X-ON Electronics

Largest Supplier of Electrical and Electronic Components

*Click to view similar products for [Headers & Wire Housings](#) category:*

*Click to view products by [CNJM](#) manufacturer:*

Other Similar products are found below :

[95000-104TRLF](#) [10135584-644402LF](#) [DF62W-EP2022PCA](#) [95000-106TRLF](#) [DF62W-2022SCA](#) [DF62W-EP2022PC](#) [2203348](#) [DF62W-2022SC](#) [1084018](#) [1029039](#) [1084017](#) [802-10-012-10-002000](#) [1112640](#) [1112639](#) [891-007-9SS-BST1T](#) [000-34000](#) [0008550134](#) [0009482033](#) [0009507031](#) [57102-F02-18ULF](#) [57102-S06-03LF](#) [57202-S52-04LF](#) [PCN6-15S-2.5E](#) [0039019024](#) [58102-G61-06LF](#) [582553-1](#) [0009485154](#) [0009508121](#) [0022285053](#) [0050291907](#) [018731A](#) [LY20-4P-DT1-P1E-BR](#) [02.125.8002.8](#) [60101931](#) [60598-1 \(Cut Strip\)](#) [M1625-3R/100](#) [61062-3](#) [61082-181009](#) [CSU011177004](#) [636-1427](#) [638009-1](#) [641938-9](#) [641991-4](#) [644168-1](#) [644827-2](#) [647662-1](#) [65039-019ELF](#) [65692-001LF](#) [65781-018](#) [65781-047](#)