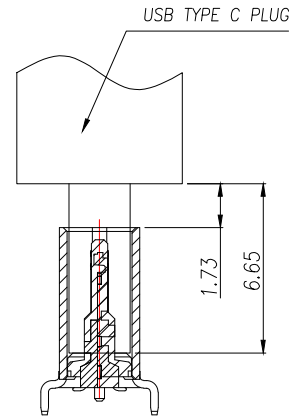


| A | B | C | D | E | | | | | | | | | | | | | | | | | | | | | | | | | | | | | | | | | | | | | | | | | | |
|-------------------|-------------|---|--|------|---|--|---|--|------|------|---|--|---|--|---------------------------|--|-----|-------|------------|--|------|-------|---------------|--|-------|-------|---------------------------|--|----------------|-----|----------------|--|--|--|----------|-------------|--|--|---------------|---------------|--|--|---------------|--|--|--|
| REV. | DESCRIPTION | | ECN NO. | NAME | DATE | | | | | | | | | | | | | | | | | | | | | | | | | | | | | | | | | | | | | | | | | |
| 1 | | | | | | | | | | | | | | | | | | | | | | | | | | | | | | | | | | | | | | | | | | | | | | |
| 2 | | | | | <p>NOTE:</p> <p>1.MATERIAL SPECIFICATION:</p> <p>1.HOUSING:HIGH TEMPERATURE RESISTANT PLASTIC,UL94 V-0.</p> <p>2.TERMINAL: COPPER ALLOY(C1815)</p> <p>3.MID PLATE: STAINLESS STEEL(SUS301)</p> <p>4.FRONT SHELL: STAINLESS STEEL(SUS304)</p> <p>2.PLATING SPECIFICATION:</p> <p>2-1.TERMINAL:</p> <p>Ni 50u" MIN. UNDER PLATED OVER ALL.</p> <p>Au PLATED ON THE FUNCTIONAL AREA OF CONTACT.</p> <p>CONTACT FUNCTIONAL AREA PLATED : Au G/F</p> <p>CONTACT SOLDER AREA PLATED : Au G/F</p> <p>2-2.FRONT SHELL:</p> <p>Ni 50u" MIN. UNDER PLATED OVER ALL.</p> <p>2-3.MID PLATE:</p> <p>CLEAR ONLY</p> <p>3.MECHANICAL PERFORMANCE,</p> <p>3-1.INSERTION FORCE: 0.5~2.0kgf.</p> <p>3-2.REMOVAL FORCE: 0.8kgf~2.0kgf.</p> <p>3-3.DURABILITY: 10000 CYCLES.</p> <p>4.ELECTRICAL PERFORMANCE,</p> <p>4-1. VOLTAGE RATING:5 V DC/AC (RMS. max)</p> <p>CURRENT RATING:5 AMPS. FOR TOTAL VBUS/GND PINS;</p> <p>1.25AMPS FOR CC PIN,0.25 AMPS. FOR ALL OTHER CONTACT.</p> <p>4-2. LLCR:</p> <p>VBUS & GND PINS AND OTHER PINS: 40mΩ/PIN MAX.</p> <p>LLCR MAX. CHANGE OF ALL PINS: 10mΩ.</p> <p>4-3.INSULATION RESISTANCE: 100MΩ MIN</p> <p>4-4.DIELECTRIC WITHSTAND VOLTAGE,AC 100V FOR 1 MINUTE.</p> <p>5. ENVIRONMENTAL PERFORMANCE:</p> <p>OPERATING TEMPERATURE: -40°C~+85°C.</p> <p>6.IR REFLOW:</p> <p>THE PEAK TEMPERATURE ON THE BOARD SHALL BE MAINTAINED FOR 10 SECONDS AT 260°C.</p> | | | | | | | | | | | | | | | | | | | | | | | | | | | | | | | | | | | | | | | | | |
| 3 | | | | | | | | | | | | | | | | | | | | | | | | | | | | | | | | | | | | | | | | | | | | | | |
| 4 | | | | | <p>SECTION:A-A</p> | | | | | | | | | | | | | | | | | | | | | | | | | | | | | | | | | | | | | | | | | |
| 5 | | | <table border="1"> <tr> <td colspan="2">GENERAL TOLERANCE</td> <td colspan="2">DONGGUAN BAOXUN PRECISION TECHNOLOGY CO., LTD</td> </tr> <tr> <td>DIM.</td> <td>TOL.</td> <td colspan="2">TITLE: USB CF 24PIN VERTICAL W/O EMI SPRING,HIGHT 6.4</td> </tr> <tr> <td>X</td> <td></td> <td colspan="2">DWG. NO.: UC11-OB24F00P11</td> </tr> <tr> <td>X.X</td> <td>±0.30</td> <td colspan="2">DRAWN: MAX</td> </tr> <tr> <td>X.XX</td> <td>±0.25</td> <td colspan="2">CHECKED: ELLA</td> </tr> <tr> <td>X.XXX</td> <td>±0.15</td> <td colspan="2">PART NO.: UC11-OB24F00P11</td> </tr> <tr> <td>GENERAL ANGLE:</td> <td>±3°</td> <td colspan="2">APPROVED: WILL</td> </tr> <tr> <td></td> <td></td> <td>UNIT: mm</td> <td>SCALE: none</td> </tr> <tr> <td></td> <td></td> <td>SHEET: 1 of 1</td> <td>DWG. SIZE: A4</td> </tr> <tr> <td></td> <td></td> <td>LAYER: bxconn</td> <td></td> </tr> </table> | | GENERAL TOLERANCE | | DONGGUAN BAOXUN PRECISION TECHNOLOGY CO., LTD | | DIM. | TOL. | TITLE: USB CF 24PIN VERTICAL W/O EMI SPRING,HIGHT 6.4 | | X | | DWG. NO.: UC11-OB24F00P11 | | X.X | ±0.30 | DRAWN: MAX | | X.XX | ±0.25 | CHECKED: ELLA | | X.XXX | ±0.15 | PART NO.: UC11-OB24F00P11 | | GENERAL ANGLE: | ±3° | APPROVED: WILL | | | | UNIT: mm | SCALE: none | | | SHEET: 1 of 1 | DWG. SIZE: A4 | | | LAYER: bxconn | | | |
| GENERAL TOLERANCE | | DONGGUAN BAOXUN PRECISION TECHNOLOGY CO., LTD | | | | | | | | | | | | | | | | | | | | | | | | | | | | | | | | | | | | | | | | | | | | |
| DIM. | TOL. | TITLE: USB CF 24PIN VERTICAL W/O EMI SPRING,HIGHT 6.4 | | | | | | | | | | | | | | | | | | | | | | | | | | | | | | | | | | | | | | | | | | | | |
| X | | DWG. NO.: UC11-OB24F00P11 | | | | | | | | | | | | | | | | | | | | | | | | | | | | | | | | | | | | | | | | | | | | |
| X.X | ±0.30 | DRAWN: MAX | | | | | | | | | | | | | | | | | | | | | | | | | | | | | | | | | | | | | | | | | | | | |
| X.XX | ±0.25 | CHECKED: ELLA | | | | | | | | | | | | | | | | | | | | | | | | | | | | | | | | | | | | | | | | | | | | |
| X.XXX | ±0.15 | PART NO.: UC11-OB24F00P11 | | | | | | | | | | | | | | | | | | | | | | | | | | | | | | | | | | | | | | | | | | | | |
| GENERAL ANGLE: | ±3° | APPROVED: WILL | | | | | | | | | | | | | | | | | | | | | | | | | | | | | | | | | | | | | | | | | | | | |
| | | UNIT: mm | SCALE: none | | | | | | | | | | | | | | | | | | | | | | | | | | | | | | | | | | | | | | | | | | | |
| | | SHEET: 1 of 1 | DWG. SIZE: A4 | | | | | | | | | | | | | | | | | | | | | | | | | | | | | | | | | | | | | | | | | | | |
| | | LAYER: bxconn | | | | | | | | | | | | | | | | | | | | | | | | | | | | | | | | | | | | | | | | | | | | |

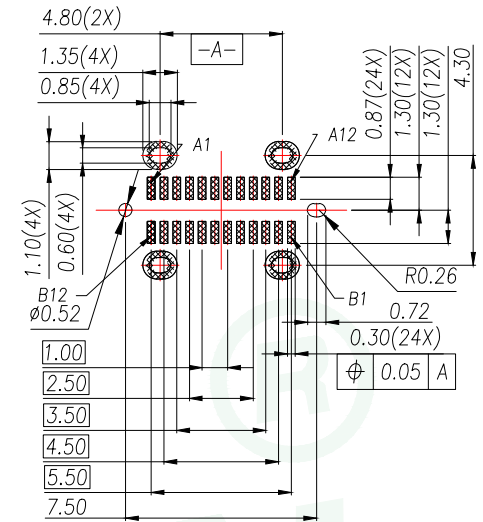
| REV. | DESCRIPTION | ECN NO. | NAME | DATE |
|------|-------------|---------|------|------|
| | | | | |

USB TYPE-C PIN ASSIGNMENTS

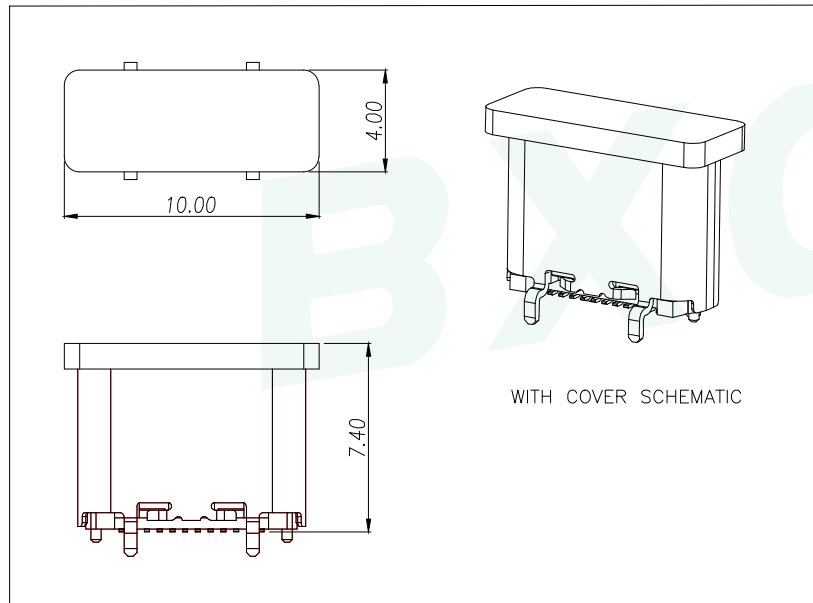
| PIN NUMBER | SIGNAL NAME | PIN NUMBER | SIGNAL NAME |
|------------|-------------|------------|-------------|
| A1 | GND | B12 | GND |
| A2 | TXp1 | B11 | RXp1 |
| A3 | TXn1 | B10 | RXn1 |
| A4 | Vbus | B9 | Vbus |
| A5 | CC1 | B8 | SBU2 |
| A6 | Dp1 | B7 | Dn2 |
| A7 | Dn1 | B6 | Dp2 |
| A8 | SBU1 | B5 | CC2 |
| A9 | Vbus | B4 | Vbus |
| A10 | RXn2 | B3 | TXn2 |
| A11 | RXp2 | B2 | TXp2 |
| A12 | GND | B1 | GND |



FEMALE AND MALE MATCHING DRAWING



RECOMMENDED PCB LAYOUT(TOP VIEW)
THICKNESS 0.8±0.10MM;DEFAULT TOLERANCE:±0.05



| | | | | | |
|-------------------|---|---------------------------|---------------|---------------|----------------|
| GENERAL TOLERANCE | DONGGUAN BAOXUN PRECISION TECHNOLOGY CO., LTD | | | | |
| DIM. TOL. | TITLE: USB CF 24PIN VERTICAL W/O EMI SPRING,HIGHT 6.4 | | | | |
| X | | DWG. NO.: UC11-OB24F00P11 | | | DRAWN: MAX |
| X.X | ±0.30 | PART NO.: UC11-OB24F00P11 | | | CHECKED: ELLA |
| X.XX | ±0.25 | UNIT: mm | | | APPROVED: WILL |
| X.XXX | ±0.15 | SCALE: none | SHEET: 1 of 1 | DWG. SIZE: A4 | LAYER: bxconn |
| GENERAL ANGLE: | ±3° | | | | |

BXCONN[®]



X-ON Electronics

Largest Supplier of Electrical and Electronic Components

Click to view similar products for [USB Connectors](#) category:

Click to view products by [BXCONN](#) manufacturer:

Other Similar products are found below :

[950](#) [A-USB A-LP-SMT-C](#) [A-USB B-TOP-C](#) [MUSBD11135](#) [17-200721](#) [217450-1](#) [KMBVX-TH-5S-B30](#) [KUSBX-AS2N-W](#) [KUSBX-SMT2AP1S-B30](#) [KUSBX-SMT2AP1S-W30](#) [935](#) [30-498-6](#) [SK-60A-2](#) [30-470](#) [30-489](#) [30-541](#) [MIKROE-1451](#) [1-1734084-2](#) [10135326-001LF](#) [USB3FTV7APEG](#) [4198](#) [17-200011](#) [1040870124](#) [2274475-3](#) [914-614A2025S10200](#) [MUSBR-AHD2-M41-SK](#) [GSB3116344HR](#) [GSB343K331HR](#) [USB3FTV2SAZNF459](#) [USBF21GSCC](#) [U221-041N-1WVS62-F5D](#) [HYCW153-USBD05-500B](#) [HYCW219-USBD05-075B](#) [HYCW148-USBD05-117B](#) [HYCW149-USBD05-740B](#) [HYCW204-USBD05-108B](#) [HYCW214-USBA04-113B](#) [HYCW213-USBA04-113B](#) [KMMX-BSMT35S-1-B30TR](#) [GT-2A001F-CGNG1](#) [GT-USB-7010ES01](#) [GT-USB-7010i](#) [HC-ST-003-07-J](#) [918-418K2022Y40028](#) [920-462A2021Y10104](#) [AF 90° WJDG ZB](#) [TYPE-C 6P LCH10.5](#) [MICRO 7.2ZB5.0](#) [AM 180°](#) [MINI 5PTP-GZ](#)