

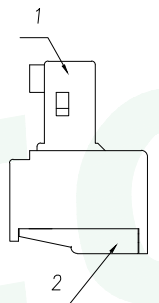
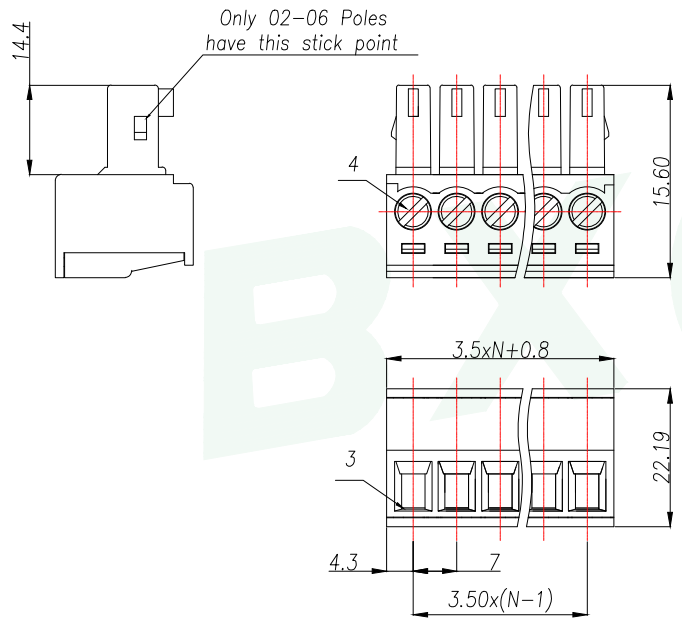
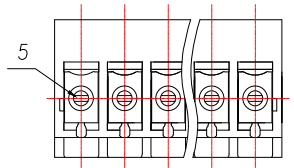
REV.	DESCRIPTION	ECN NO.	NAME	DATE

General tolerances(mm)													0.1/10	
0 ~ 3	>3 ~ 6	>6 ~ 10	>10 ~ 18	>18 ~ 30	>30 ~ 50	>50 ~ 80	>80 ~ 120	>120 ~ 180	>180 ~ 250	>250 ~ 315	>315 ~ 400	>400 ~ 500		>500
±0.12	±0.18	±0.22	±0.26	±0.31	±0.37	±0.57	±0.80	±0.93	±1.05	±1.15	±1.60	±2.20	±2.50	±2°

Product model	PIN	A	B
JCB350-DGC2P	2	7.80	3.50
JCB350-DGC3P	3	11.30	7.00
JCB350-DGC4P	4	14.80	10.50
JCB350-DGC5P	5	18.30	14.00
JCB350-DGC6P	6	21.80	17.50
JCB350-DGC7P	7	25.30	21.00
.....
JCB350-DGC24P	24	3.5xN+0.8	3.50x(N-1)

UL Standard	B	C	D
Rated Voltage(V)/Current(A)	300/8	/	300/8
IEC Standard			
Overvoltage Category/Pollution Degree	II / 2		
Rated Voltage(V)/Current(A)	250/7		
Rate Impulse Voltage(KV)	2.5		
Torque Tightening(N·m/Lb.in)	M2, 0.2/1.77		
Wire Range(rigid and flexible)(mm ² /AWG)	0.5~1.5/28~16		
Pitch(mm)/Poles	3.50/N=02~24P		
Stripping length(mm)	6~7		
Operating temperature(°C)	-40C~+105C		
Conform to RoHS	Yes		

ITEM	NAME OF PART	MATERIAL	NOTES
5	Clamp	Copper Alloy	Sn Plated
4	Screw	Steel	M2/Zn Plated
3	Cage	Copper Alloy	M2/Ni Plated
2	Cover	PA66	UL94V-0
1	Housing	PA66	UL94V-0



GENERAL TOLERANCE		DONGGUAN BAOXUN PRECISION TECHNOLOGY CO., LTD			
DIM. TOL.		TITLE: Socket-type terminal			
X		DWG. NO.: JCB350-DGCNP		DRAWN: MAX	
X.X	±0.30	PART NO.: JCB350-DGCNP		CHECKED: ELLA	
X.XX	±0.25	UNIT: mm		APPROVED: WILL	
X.XXX	±0.15	SCALE: none	SHEET: 1 of 1	DWG. SIZE: A4	LAYER: bxconn
GENERAL ANGLE:	±3°				



X-ON Electronics

Largest Supplier of Electrical and Electronic Components

Click to view similar products for [Pluggable Terminal Blocks](#) category:

Click to view products by [BXCONN](#) manufacturer:

Other Similar products are found below :

[57.510.0053](#) [721-104/026-047](#) [721-204/026-045](#) [ET02015000J0G](#) [860505](#) [860516](#) [GBPACX-12](#) [93.731.4953.0](#) [950-FB/03](#) [950-NLFL-DS/03](#) [PVS02-5,00](#) [1-1986160-3](#) [121-A-111/03](#) [121-A-111/05](#) [121-M-121/04](#) [121-M-211/03](#) [121-M-221/06](#) [1377680000](#) [1546228-5](#) [ELFP03110](#) [ELFT07250](#) [ELXH071G0E](#) [1725220000](#) [1760336](#) [1855000000](#) [19346](#) [1946309](#) [1973592](#) [2-1546857-6](#) [231-110/031-000](#) [25.320.4053.1](#) [25.320.4553.9](#) [25.320.4753.1](#) [25.340.0353.1](#) [25.340.1053.1](#) [25.345.3553.0M001](#) [25.640.3553.1](#) [931-HSL/03-HT](#) [950-FL-DS/04](#) [950-LH-DS/02](#) [950-NLFL-DS/06](#) [SH04-3,50](#) [SH08-5,08](#) [SH08-5,08-K](#) [SH12-5,08](#) [SH15-5,00](#) [SHS04-5,00](#) [30.303](#) [30.305](#) [30.306](#)