

REV.	DESCRIPTION	DATE
A	RELEASE	2010.11.23

MATERIAL&FINISH  
 Insulator: PBT Glass Fiber(UL94V-0)  
 Contact : Brass/Phosphorus bronze  
 Contact : Gold-Plated Over Nickel  
 SPECIFICATIONS  
 Current Rating :1A AC,DC  
 Voltage Rating : 250V AC,DC  
 Temperature Range:-40°C To+105°C  
 Contact Resistance:20mΩ Min  
 Insulation Resistance:1000MΩ Min  
 Withstanding Voltage:500V AC/Min

PART NO	Dim. A	Dim. B
MFC-6P	4.0	11.2
MFC-8P	6.0	13.2
MFC-10P	8.0	15.2
MFC-12P	10.0	17.2
MFC-14P	12.0	19.2
MFC-16P	14.0	21.2
MFC-18P	16.0	23.2
MFC-20P	18.0	25.2
MFC-22P	20.0	27.2
MFC-24P	22.0	29.2
MFC-26P	24.0	31.2
MFC-28P	26.0	33.2
MFC-30P	28.0	35.2
MFC-34P	32.0	39.2
MFC-36P	34.0	41.2
MFC-40P	38.0	45.2
MFC-44P	42.0	49.2
MFC-50P	48.0	55.2

UNLESS TOLERANCE	DRAW BY	YUAN
	DESIGN BY	YUAN
GENERAL	CHECK BY	
ANGLE	APPROVE BY	
X. ± 0.30		
X. ± 0.20		
.XX ± 0.15		
.XXX ± 0.10		
.XXX ± 0.5		
SCALE	SHEET	UNIT
1:1	1/1	MM
DRW NO: MFC-XP		
REV: A		

6 5 4 3 2 1

A

BD

C

D

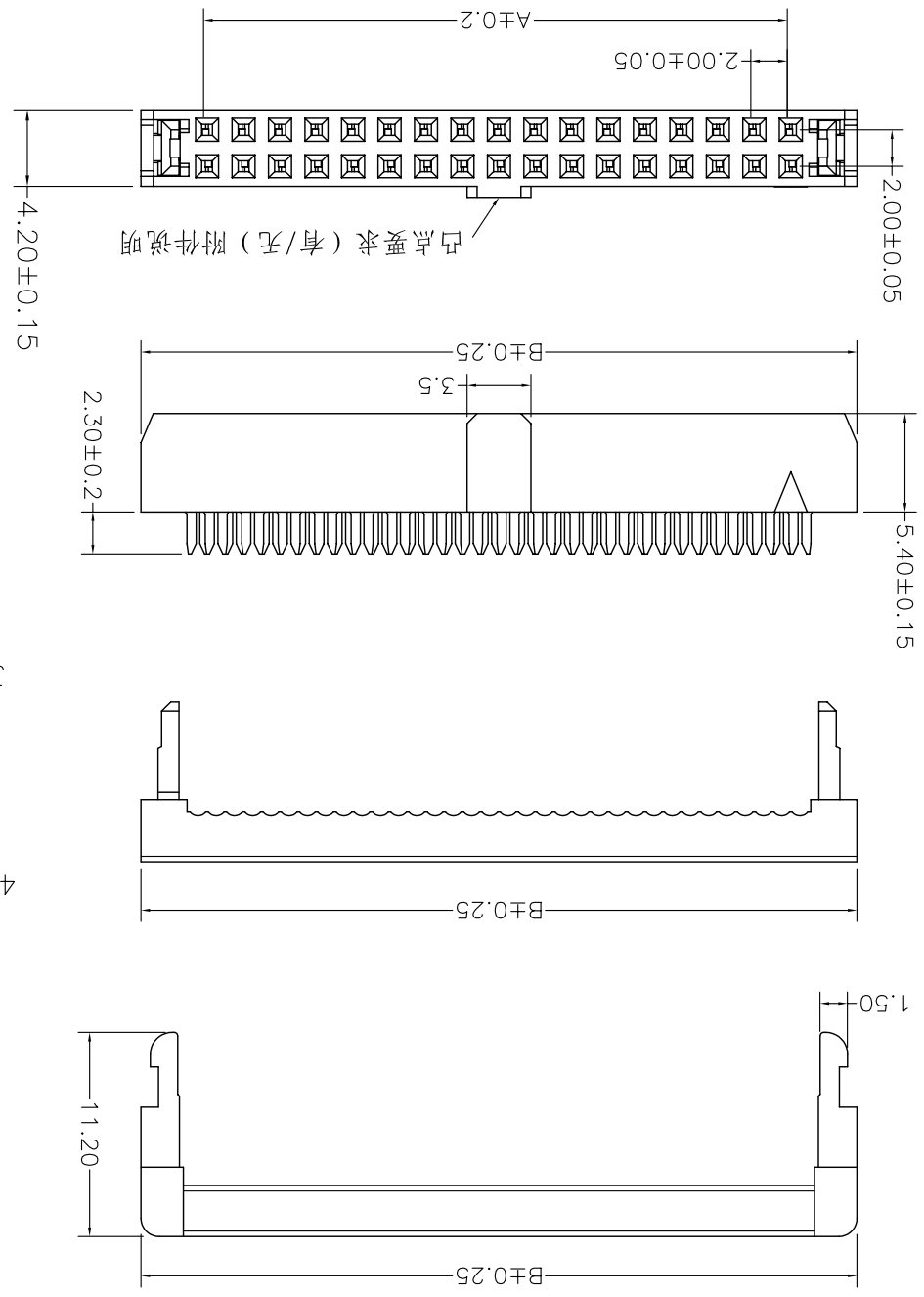
6 5 4 3 2 1

A

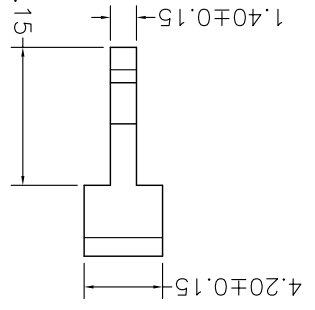
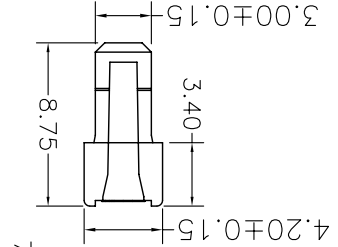
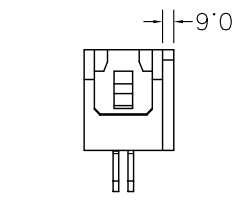
BD

C

D



凸点要求 (有/无) 附件说明



## X-ON Electronics

Largest Supplier of Electrical and Electronic Components

*Click to view similar products for [Headers & Wire Housings](#) category:*

*Click to view products by [Boom](#) manufacturer:*

Other Similar products are found below :

[95000-104TRLF](#) [10135584-644402LF](#) [DF62W-EP2022PCA](#) [95000-106TRLF](#) [DF62W-2022SCA](#) [DF62W-EP2022PC](#) [2203348](#) [DF62W-2022SC](#) [1084018](#) [1029039](#) [1084017](#) [802-10-012-10-002000](#) [1112640](#) [1112639](#) [891-007-9SS-BST1T](#) [000-34000](#) [0008550134](#) [0009482033](#) [0009507031](#) [57102-F02-18ULF](#) [57102-S06-03LF](#) [57202-S52-04LF](#) [PCN6-15S-2.5E](#) [0039019024](#) [58102-G61-06LF](#) [582553-1](#) [0009485154](#) [0009508121](#) [0022285053](#) [0050291907](#) [018731A](#) [LY20-4P-DT1-P1E-BR](#) [02.125.8002.8](#) [60101931](#) [60598-1 \(Cut Strip\)](#) [M1625-3R/100](#) [61062-3](#) [61082-181009](#) [CSU011177004](#) [636-1427](#) [638009-1](#) [641938-9](#) [641991-4](#) [644168-1](#) [644827-2](#) [647662-1](#) [65039-019ELF](#) [65692-001LF](#) [65781-018](#) [65781-047](#)