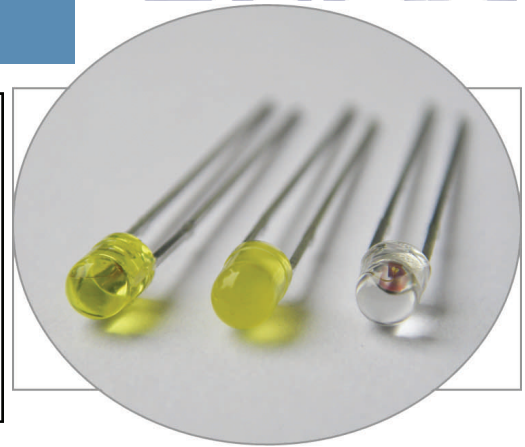


# 3mm (T1) Package Discrete LED YELLOW, Super Bright



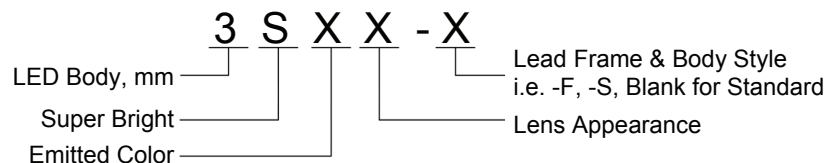
## 3SYX-X

- ◆ Industry Standard 3mm (T1) Package
- ◆ RoHS Compliant
- ◆ Water Clear (C), Diffused (D), and Tinted (T) Lenses
- ◆ Available in Flange (F), Standard (Blank), and Shouldered (S) Lead frame styles
- ◆ Up to 50 mcd Luminous Intensity at 20 mA
- ◆ Ideal for Status Indication and Display
- ◆ Recommended for Bivar Flexible Light Pipe assemblies

Bivar 3mm T1 Package Super Bright LED is ideal for those applications where higher ambient lighting exists such as sign boards, security system displays, and medical applications. Bivar offers water clear LED lens for maximum light output, diffused LED lens for uniform light output, and tinted lens to identify the color of the LED. The Flanged LED is ideal for Panel Mount Clip & Ring assemblies, the Standard Lead frame LED is ideal for vertical spacer assemblies without lead bends, and the Shouldered Lead frame LED has a built in strain relief feature which is ideal for Right Angle Holder assemblies that require lead bends. A long lead version is also available with a "-LL" suffix added to part numbers.

| Part Number | Material  | Emitted Color | Peak. Wavelength<br>$\lambda_p$ (nm) TYP. | Lens Appearance | Viewing Angle |
|-------------|-----------|---------------|---|-----------------|---------------|
| 3SYC-F      | GaAsP/Gap | YELLOW        | 590nm                                     | Water Clear     | 20°           |
| 3SYD-F      |           |               |   | Yellow Diffused | 35°           |
| 3SYT-F      |           |               |   | Yellow Tinted   | 20°           |
| 3SYC        |           |               |   | Water Clear     | 30°           |
| 3SYD        |           |               |   | Yellow Diffused | 40°           |
| 3SYT        |           |               |   | Yellow Tinted   | 30°           |
| 3SYC-S      |           |               |   | Water Clear     | 30°           |
| 3SYD-S      |           |               |   | Yellow Diffused | 40°           |
| 3SYT-S      |           |               |   | Yellow Tinted   | 30°           |

## Part Number Designation

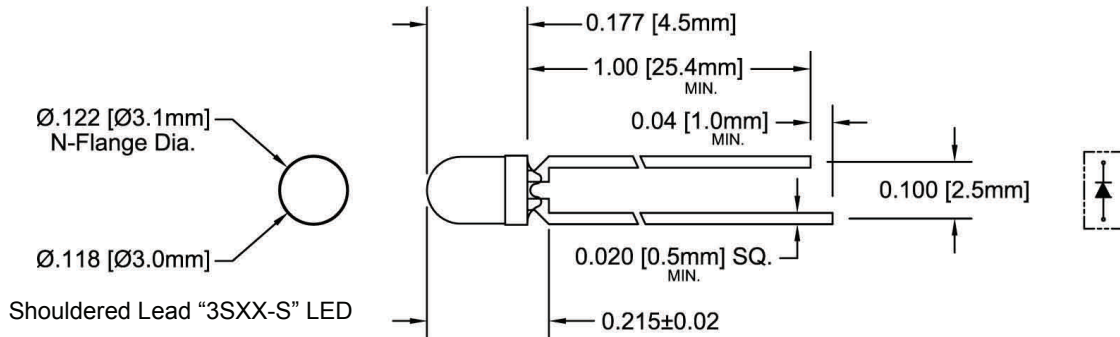
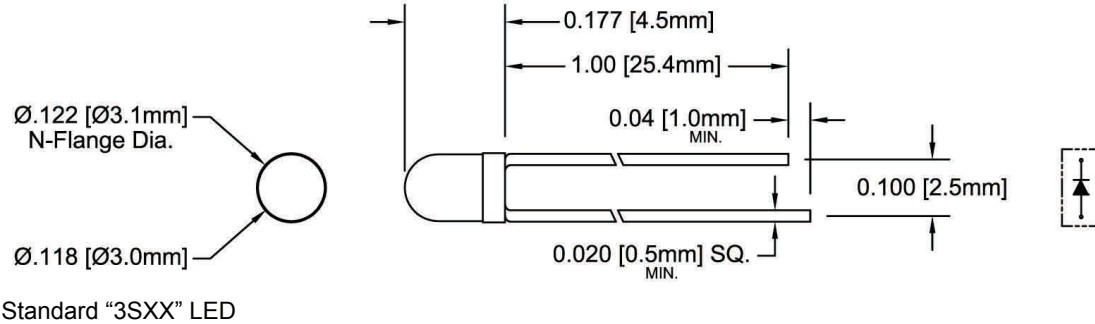
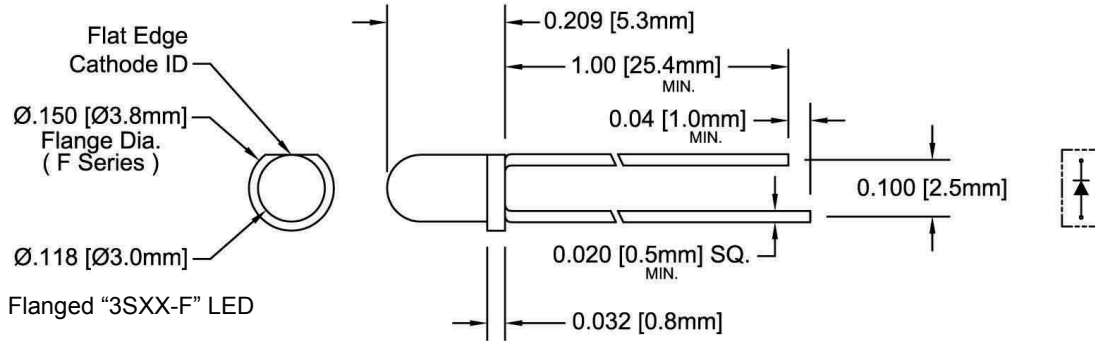


Bivar reserves the right to make changes at any time without notice.

# 3mm (T1) Package Discrete LED YELLOW, Super Bright



## Outline Dimensions



Recommended Mounting  
Hole Size =  $\varnothing.032^{+.003}_{-.002}$

NOTE: Add suffix -LL for long lead.  
Changes 1.00 Min. to 1.57 Min.  
**Standard Lead Only**

- Outline Drawings Notes:**
1. All dimensions are in inches [millimeters].
  2. Standard tolerance:  $\pm 0.010$ " unless otherwise noted.
  3. Tolerance of overall epoxy outline:  $\pm 0.020$ " unless otherwise noted.
  4. Epoxy meniscus may extend to 0.060" max.

Bivar reserves the right to make changes at any time without notice.

# 3mm (T1) Package Discrete LED YELLOW, Super Bright



## Absolute Maximum Ratings

T<sub>A</sub> = 25°C unless otherwise noted

|  |              |
|--|--------------|
| Power Dissipation  | 85 mW        |
| Forward Current ( DC )   | 30 mA        |
| Peak Forward Current <sup>1</sup>  | 150 mA       |
| Reverse Voltage  | 5 V          |
| Operating Temperature Range  | -25 ~ +85°C  |
| Storage Temperature Range  | -30 ~ +100°C |
| Lead Soldering Temperature ( 3 mm from the base of the epoxy bulb ) <sup>2</sup> | 260°C        |

Notes: 1. 10% Duty Cycle, Pulse Width ≤ 0.1 msec. 2. Solder time less than 5 seconds at temperature extreme.

## Electrical / Optical Characteristics

T<sub>A</sub> = 25°C & I<sub>F</sub> = 20 mA unless otherwise noted

| Part Number | Forward Voltage (V) <sup>1</sup> |     |     | Recommend Forward Current (mA) |     |     | Reverse Current (μA) | Dominant Wavelength (nm) <sup>2</sup> |     |     | Luminous Intensity I <sub>v</sub> (mcd) |     |     | Viewing Angle 2Θ ½ (deg) |
|-------------|----------------------------------|-----|-----|--------------------------------|-----|-----|----------------------|---------------------------------------|-----|-----|---|-----|-----|--------------------------|
|             | MIN                              | TYP | MAX | MIN                            | TYP | MAX | MAX                  | MIN                                   | TYP | MAX | MIN                                     | TYP | MAX | TYP                      |
| 3SYC-F      |                                  |     |     |                                |     |     |                      | /                                     | /   | /   | /                                       | 50  | /   | 20                       |
| 3SYD-F      | /                                | 2.0 | 2.8 | /                              | 20  | /   | 100                  | /                                     | /   | /   | /                                       | 30  | /   | 35                       |
| 3SYT-F      |                                  |     |     |                                |     |     |                      | /                                     | /   | /   | /                                       | 50  | /   | 20                       |
| 3SYC        |                                  |     |     |                                |     |     |                      | /                                     | /   | /   | /                                       | 50  | /   | 30                       |
| 3SYD        | /                                | 2.0 | 2.8 | /                              | 20  | /   | 100                  | /                                     | /   | /   | /                                       | 30  | /   | 40                       |
| 3SYT        |                                  |     |     |                                |     |     |                      | /                                     | /   | /   | /                                       | 50  | /   | 30                       |
| 3SYC-S      |                                  |     |     |                                |     |     |                      | /                                     | /   | /   | /                                       | 50  | /   | 30                       |
| 3SYD-S      | /                                | 2.0 | 2.8 | /                              | 20  | /   | 100                  | /                                     | /   | /   | /                                       | 30  | /   | 40                       |
| 3SYT-S      |                                  |     |     |                                |     |     |                      | /                                     | /   | /   | /                                       | 50  | /   | 30                       |

Notes: 1. Tolerance of forward voltage : ±0.05V. 2. Tolerance of dominant wavelength : ±1.0nm.

Bivar reserves the right to make changes at any time without notice.

# 3mm (T1) Package Discrete LED YELLOW, Super Bright



## Typical Electrical / Optical Characteristics

$T_A = 25^\circ\text{C}$  unless otherwise noted

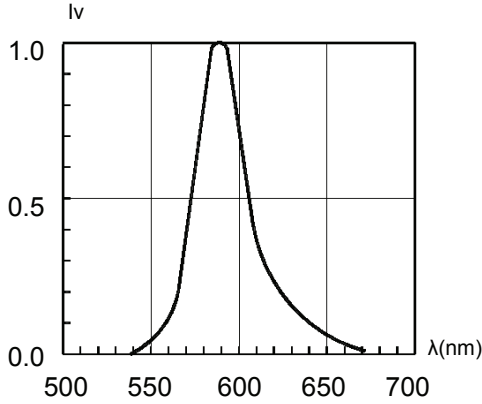


Fig. 1 Relative Luminous Intensity vs. Wavelength @ 20mA

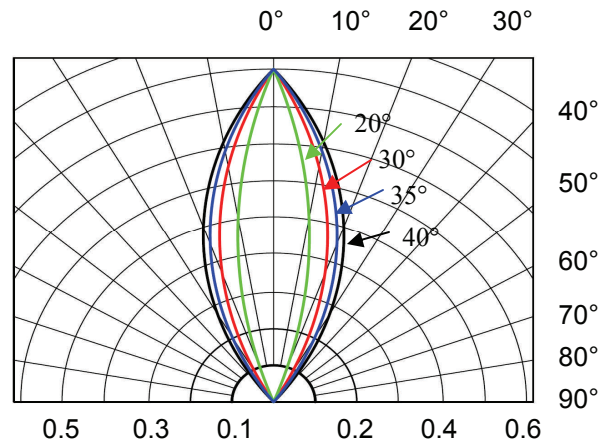


Fig. 2 Directivity Radiation Diagram

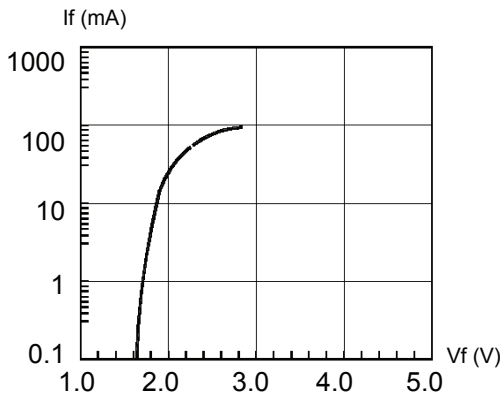


Fig. 3 Forward Current vs. Forward Voltage

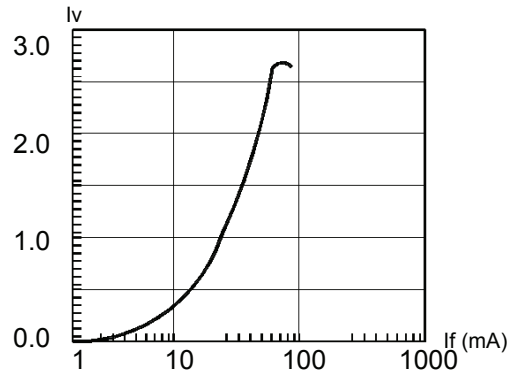


Fig. 4 Relative Luminous Intensity vs. Forward Current Normalize @ 20 mA

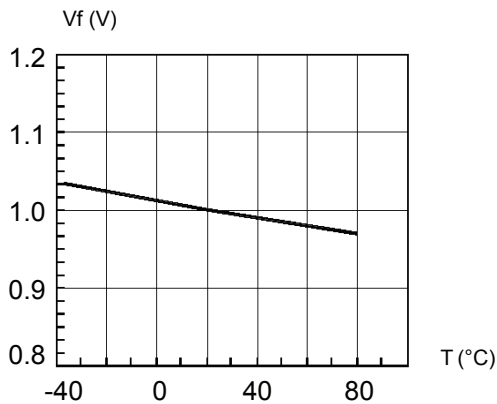


Fig. 5 Forward Voltage vs. Temperature

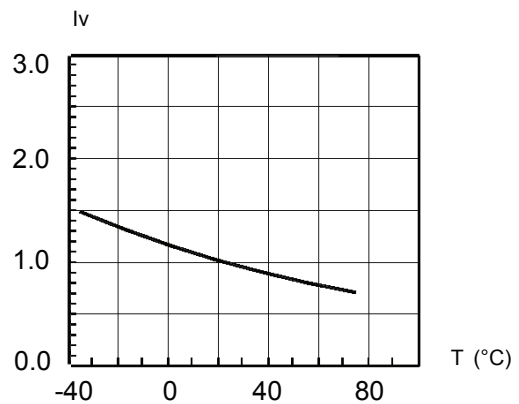


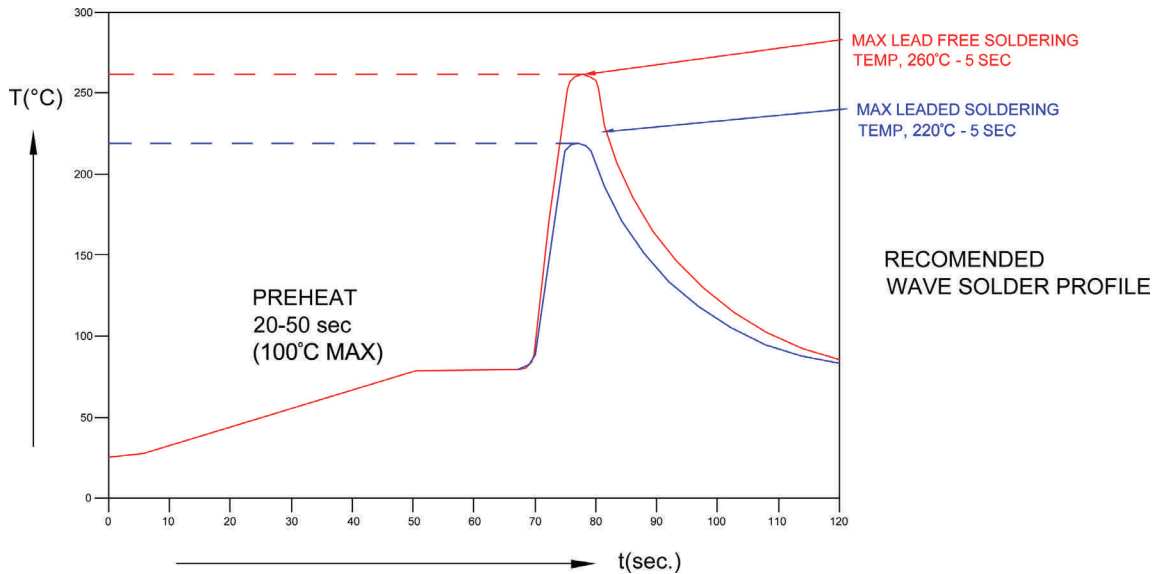
Fig. 6 Relative Luminous Intensity vs. Temperature

Bivar reserves the right to make changes at any time without notice.

# 3mm (T1) Package Discrete LED YELLOW, Super Bright

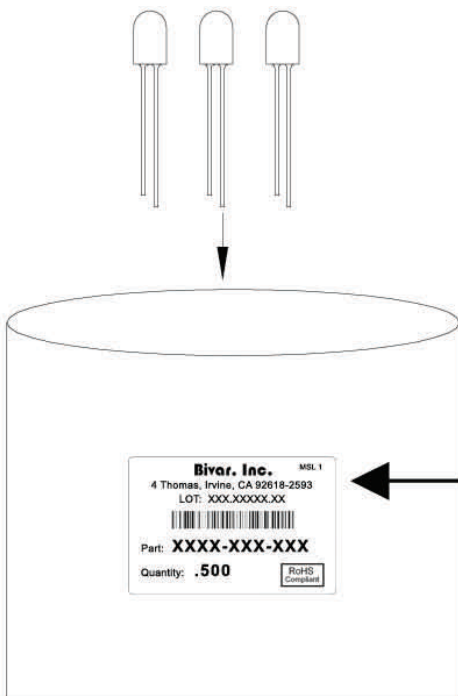


## Recommended Soldering Conditions



| Recommended Lead Free Wave Soldering Profile   |   |
|--|---|
| Preheat Temperature: 100°C Max.  | Peak Temperature: 260°C Max.            |
| Preheat Time: 20 ~ 50 Seconds  | Solder Time Above 217°C: 5 Seconds Max. |
| Note: Turn off top heater at preheat to prevent the lamp body directly exposed to the heat source. |   |

## Packaging and Labeling Plan



**Bivar, Inc.** MSL 1

4 Thomas, Irvine, CA 92618-2593  
LOT: XXX.XXXXX.XX



Part: **XXXX-XXX-XXX**

Quantity: **.500**

RoHS  
Compliant

AntiStatic Poly Bag with Desiccant  
(500 pcs Max. per Bag)

Bivar reserves the right to make changes at any time without notice.

## X-ON Electronics

Largest Supplier of Electrical and Electronic Components

*Click to view similar products for [Standard LEDs - Through Hole category:](#)*

*Click to view products by [Bivar manufacturer:](#)*

Other Similar products are found below :

[LTL-10254W](#) [LTL-1214A](#) [LTL-3251A](#) [LTL-4262N](#) [LTL-433P](#) [LTL-5234](#) [LTL87HTBK](#) [LTL-87HD4B](#) [HLMP-EL30-PS0DD](#)  
[1L0532V23G0TD001](#) [NSPW500CS](#) [NTE30036](#) [NTE30044](#) [NTE30059](#) [NTE3020](#) [LD CQDP-1U3U-W5-1-K](#) [LO566UHR3-70G-A3](#)  
[LP379PPG1C0G0300001](#) [SLX-LX3044GD](#) [SLX-LX3044ID](#) [SLX-LX3044YD](#) [1.90690.3330000](#) [SSS-LX4673ID-410B](#) [1L0532Y24I0TD001](#)  
[264-7SYGD/S530-E2](#) [HLMP1385](#) [LTL-10224W](#) [LTL-1224A](#) [LTL-1234A](#) [LTL-2251AT](#) [LTL-307YE-012](#) [LTL-403HR](#) [LTL-4222](#) [LU7-E-](#)  
[B](#) [4380H1](#) [TLHY44K1L2](#) [HLMP-3962-F0002](#) [HLMP-GG15-R0000](#) [323-2SURD/S530-A3](#) [L53SRC/E-Z](#) [L-7679C1ZGC](#) [4302T1-5V](#)  
[4306D23](#) [4363D1/5](#) [WP1503SRC/J4](#) [WP153GDT](#) [WP153YDT](#) [WP1543SGC](#) [WP1543SURC](#) [WP53MGD](#)