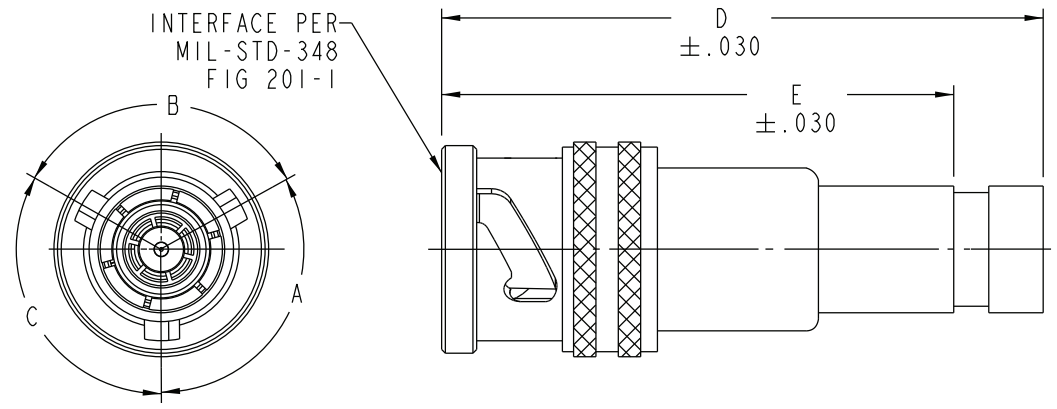


REVISIONS			
REV	DESCRIPTIONS	DATE	APPROVED
H	ECO 53315	5-13-11	C. MONAHAN

DASH NO.	CABLES ACCOMODATED	ASSEMBLE PER	DIM "D"	DIM "E"
-201	M17/176-00002	TA1-201	1.540	1.375
-202	TWC-78-1			
-203	TWC-124-1A			
-204	10602, RAYCHEM			
-205	TWAC-78-1F2			
-206	7826D0130, RAYCHEM			
-207	83310, BELDEN			
-208	202-3927, MICRODOT			
-209	202-3942, MICRODOT			
-210	8451, BELDEN			
-211	202-3934, MICRODOT			
-212	2524E0114, RAYCHEM			
-213	TWC-78-2, M17/45-RG108			
-214	TWC-124-2			
-215	BL982, TIMES			
-216	BL1242, TIMES			
-217	M27500-22 RC2S06			
-218	EDP221888, RAYCHEM			
-219	252601114, RAYCHEM			
-220	GC875RR1, GRUMMAN			
-221	10614, RAYCHEM GC875TM24H, GRUMMAN			
-222	10613, RAYCHEM			
-223	HMS2-1149, HUGHES			
-224	TWCP-124-3			
-225	PS665PL, PRIME STOCK			
-226	TWCP-124-5	TA1-209	1.660	1.495

KEY LETTER	A DEGREES	B DEGREES	C DEGREES	COLOR BAND
NONE	120°	120°	120°	NONE
T	100°	150°	110°	RED
U	120°	130°	110°	ORANGE
V	115°	130°	115°	YELLOW
W	125°	110°	125°	GREEN
X	130°	100°	130°	BLUE
Y	110°	140°	110°	VIOLET
Z	100°	160°	100°	GRAY
S	135°	135°	90°	WHITE



-201 SHOWN

I. EXAMPLE OF COMPLETE MODEL NO:
 BASIC MODEL NO PL75MC T - 201
 POLARIZATION LETTER T
 NONE REQD FOR STD POLARIZATION (SEE TABLE 2)
 CABLE GROUP DASH NO (SEE TABLE 1)

NOTES: UNLESS OTHERWISE SPECIFIED.

INTERPRET DRAWING PER MIL-STD-100. DIMENSIONS ARE IN INCHES AND INCLUDE FINISH THICKNESS UNLESS OTHERWISE SPECIFIED.		TOL: UNLESS SPECIFIED. .XX ± .005 .XXX ± .010 .XXXX ± .015 ANGLE ±		 Cinch Connectivity Solutions 299 Johnson Ave. Ste. 100 Waseca, MN 56093 1-800-247-8256
DRN L. MCLENNAN 6-28-11	QUALITY	MATERIAL:	ANGLE ±	
N/A	BLANK LENGTH (REF. ONLY)	FINISH:	CRITICAL	TITLE: PL75MC/T/U/V/W/X/Y/Z/S
N/A	APPROVED	SCALE	DO NOT SCALE DWG	SIZE CAGE CODE DRAWING NO. REV. B 14949 3-0285 H
SURFACE AREA	PROJ FILE NO. 3-0285	SCALE 6/1	DATE 4/6/94	SHEET 1 OF 3

X-ON Electronics

Largest Supplier of Electrical and Electronic Components

Click to view similar products for [RF Connectors / Coaxial Connectors](#) category:

Click to view products by [Bel Fuse](#) manufacturer:

Other Similar products are found below :

[8915-1511-000](#) [89674-0827](#) [6001-7071-019](#) [6002-7051-003](#) [6002-7551-202](#) [6059674-1](#) [619550-1](#) [630059-000](#) [M39030/3-01N](#) [6500-7071-046](#) [6769](#) [CX050L2AQ](#) [7002-1541-010](#) [7002-1542-011](#) [7004-1512-000](#) [7009-1511-004](#) [7010-1511-000](#) [7029-1511-060](#) [7101-1541-010](#) [7101-1571-002](#) [7145-1521-002](#) [7203-1571-003](#) [7209-1511-011](#) [7210-1511-015](#) [7210-1511-019](#) [73137-5015](#) [73216-2241](#) [73404-2300](#) [7405-1521-005](#) [7405-1521-802](#) [8527](#) [8547](#) [FS11V](#) [877931](#) [9049-9513-000](#) [9074-9513-000](#) [9101-9573-002](#) [910A205F](#) [9130-9573-002](#) [PL11SC-026](#) [PL375-33](#) [PL40-5](#) [PL74C-221](#) [PL75MC-217](#) [PL803-7](#) [980-8666-005](#) [1200690078](#) [1-201144-1](#) [R107003010W](#) [R110A172100](#)