

FEATURES

Ideal for current shunt applications

High common-mode voltage range

–2 V to +65 V operating

–25 V to +75 V survival

Gain = 20

Wide operating temperature range

–40°C to +125°C for Y grade and WY grade

–40°C to +150°C for WH grade

Bidirectional operation

Available in 8-lead SOIC

Qualified for automotive applications

EXCELLENT AC AND DC PERFORMANCE

15 $\mu\text{V}/^\circ\text{C}$ offset drift

30 ppm/ $^\circ\text{C}$ gain drift

80 dB CMRR dc to 20 kHz

APPLICATIONS

High-side current sensing in

Motor controls

Transmission controls

Diesel-injection controls

Engine management

Suspension controls

Vehicle dynamic controls

DC-to-dc converters

GENERAL DESCRIPTION

The **AD8206** is a single-supply difference amplifier for amplifying small differential voltages in the presence of large common-mode voltages. The operating input common-mode voltage range extends from –2 V to +65 V. The typical single-supply voltage is 5 V.

The **AD8206** is offered in an 8-lead SOIC package. The Y grade and WY grade models are rated for operation from –40°C to +125°C. The WH grade is rated from –40°C to +150°C.

Excellent DC performance over temperature keeps errors in the measurement loop to a minimum. Offset drift is typically less than 15 $\mu\text{V}/^\circ\text{C}$, and gain drift is typically below 30 ppm/ $^\circ\text{C}$.

FUNCTIONAL BLOCK DIAGRAM

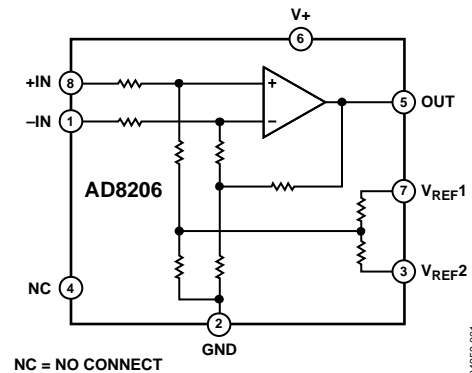


Figure 1.

The output offset can be adjusted from 0.08 V to 4.7 V with a 5 V supply by using the V_{REF1} and V_{REF2} pins. With V_{REF1} attached to the V_+ pin, and V_{REF2} attached to the GND pin, the output is set at half scale. Attaching both pins to GND causes the output to be unipolar, starting near ground. Attaching both pins to V_+ causes the output to be unipolar starting near V_+ . Other offsets can be obtained by applying an external voltage to the V_{REF1} and V_{REF2} pins.

Rev. C

[Document Feedback](#)

Information furnished by Analog Devices is believed to be accurate and reliable. However, no responsibility is assumed by Analog Devices for its use, nor for any infringements of patents or other rights of third parties that may result from its use. Specifications subject to change without notice. No license is granted by implication or otherwise under any patent or patent rights of Analog Devices. Trademarks and registered trademarks are the property of their respective owners.

TABLE OF CONTENTS

Features	1	Ground Referenced Output	10
Excellent AC and DC Performance.....	1	V+ Referenced Output	10
Applications.....	1	Bidirectional Operation.....	10
Functional Block Diagram	1	External Referenced Output	11
General Description	1	Splitting the Supply	11
Revision History	2	Splitting an External Reference	11
Specifications.....	3	Applications Information	12
Absolute Maximum Ratings.....	5	High-Side Current Sense with a Low-Side Switch.....	12
ESD Caution.....	5	High-Side Current Sense with a High-Side Switch	12
Pin Configuration and Function Descriptions.....	6	Outline Dimensions	13
Typical Performance Characteristics	7	Ordering Guide	13
Theory of Operation	9	Automotive Products.....	13
Output Offset Adjustment.....	10		
Unidirectional Operation.....	10		

REVISION HISTORY

11/14—Rev. B to Rev. C

Changes to Pin Configuration and Function Descriptions Section.....	6
Changed Applications Section to Applications Information Section.....	12

11/12—Rev. A to Rev. B

Added WH Grade Models.....	Universal
Change to Product Title, Features Section, and General Description Section.....	1
Changes to Table 1.....	3
Added Y Grade and WY Grade Parameter, Table 2 and WH Grade Parameter, Table 2.....	5
Changes to Theory of Operation Section.....	9
Updated Outline Dimensions	13
Changes to Ordering Guide	13

5/10—Rev. 0 to Rev. A

Removed Die Form	Universal
Changes to Features, General Description Sections	1
Changes to Output Resistance	3
Changes to Table 2.....	4
Changes to Theory of Operation Section.....	8
Changes to Ordering Guide	12
Added Automotive Products Section	12

7/05—Revision 0: Initial Version

SPECIFICATIONS

T_A = operating temperature range, $V_S = 5$ V, unless otherwise noted.

Table 1.

Parameter	Test Conditions/Comments	AD8206 SOIC			Unit
		Min	Typ	Max	
GAIN					
Initial			20		V/V
Accuracy	$V_O \geq 0.1$ V dc, 25°C			±1	%
Accuracy Over Temperature	Specified temperature range			±1.2	%
Gain vs. Temperature			30		ppm/°C
VOLTAGE OFFSET					
Offset Voltage (RTI)	25°C			±2	mV
Over Temperature (RTI)	Specified temperature range			±4.5	mV
Offset Drift			15		μV/°C
INPUT					
Input Impedance					
Differential			400		kΩ
Common Mode			200		kΩ
Input Voltage Range	Common mode, continuous Differential ¹	−2		+65	V
			250		mV
Common-Mode Rejection	25°C, $f = \text{dc to } 20 \text{ kHz}^2$ Operating temperature range, $f = \text{dc to } 20 \text{ kHz}^2$	76	86		dB
		76	80		dB
OUTPUT					
Output Voltage Range	AD8206YRZ, $R_L = 25 \text{ k}\Omega$ AD8206WYRZ, $R_L = 25 \text{ k}\Omega$ AD8206WHRZ, $R_L = 25 \text{ k}\Omega$	0.08		4.7	V
		0.08		4.7	V
		0.08		4.65	V
Output Resistance			2		Ω
DYNAMIC RESPONSE					
Small Signal −3 dB Bandwidth			100		kHz
Slew Rate			0.5		V/μs
NOISE					
0.1 Hz to 10 Hz, RTI			20		μV p-p
Spectral Density, 1 kHz, RTI			0.5		μV/√Hz
OFFSET ADJUSTMENT					
Ratiometric Accuracy ³	Divider to supplies	0.497		0.503	V/V
Accuracy, RTO	Voltage applied to V_{REF1} and V_{REF2} in parallel			±2	mV/V
Output Offset Adjustment Range	AD8206YRZ, $V_S = 5$ V AD8206WYRZ, $V_S = 5$ V AD8206WHRZ, $V_S = 5$ V	0.08		4.7	V
		0.08		4.7	V
		0.08		4.65	V
V_{REF} Input Voltage Range		0.0		V_S	V
V_{REF} Divider Resistor Values		24	32	40	kΩ

Parameter	Test Conditions/Comments	AD8206 SOIC			Unit
		Min	Typ	Max	
POWER SUPPLY					
Operating Range		4.5		5.5	V
Quiescent Current Over Temperature	AD8206YRZ, $V_O = 0.1$ V dc			2	mA
	AD8206WYRZ, $V_O = 0.1$ V dc			2	mA
	AD8206WHRZ, $V_O = 0.1$ V dc			2.2	mA
Power Supply Rejection Ratio		70			dB
OPERATING TEMPERATURE RANGE					
For Specified Performance	AD8206YRZ	-40		+125	°C
	AD8206WYRZ	-40		+125	°C
	AD8206WHRZ	-40		+150	°C

¹ Input voltage range = ± 125 mV with half-scale offset.

² Source imbalance < 2Ω .

³ The offset adjustment is ratiometric to the power supply when V_{REF1} and V_{REF2} are used as a divider between the supplies.

ABSOLUTE MAXIMUM RATINGS

Table 2.

Parameter	Rating
Supply Voltage	12.5 V
Continuous Input Voltage	–25 V to +75 V
Input Transient Survival	–30 V to +80 V
Differential Input Survival	–25 V to +75 V
Reverse Supply Voltage	0.3 V
Operating Temperature Range	
Y Grade and WY Grade	–40°C to +125°C
WH Grade	–40°C to +150°C
Storage Temperature Range	–65°C to +150°C
Output Short-Circuit Duration	Indefinite

Stresses at or above those listed under Absolute Maximum Ratings may cause permanent damage to the product. This is a stress rating only; functional operation of the product at these or any other conditions above those indicated in the operational section of this specification is not implied. Operation beyond the maximum operating conditions for extended periods may affect product reliability.

ESD CAUTION



ESD (electrostatic discharge) sensitive device. Charged devices and circuit boards can discharge without detection. Although this product features patented or proprietary protection circuitry, damage may occur on devices subjected to high energy ESD. Therefore, proper ESD precautions should be taken to avoid performance degradation or loss of functionality.

PIN CONFIGURATION AND FUNCTION DESCRIPTIONS

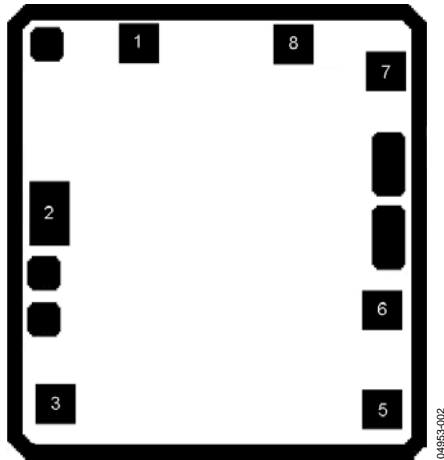
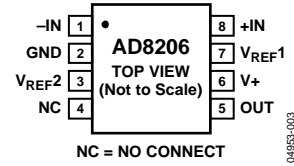


Figure 2. Metallization Diagram

04853-002



NC = NO CONNECT
Figure 3. Pin Configuration

04853-003

Table 3. Pin Function Descriptions

Pin No.	Mnemonic	X	Y
1	-IN	-209	+486
2	GND	-447	+34
3	V _{REF2}	-432	-480
4	NC	N/A	N/A
5	OUT	+444	-495
6	V+	+444	-227
7	V _{REF1}	+456	+342
8	+IN	+207	+486

Die size is 1245 μm by 1400 μm.

Die thickness is 13 mil.

Minimum passivation opening (minimum bond pad size) is 92 μm × 92 μm.

Passivation type is 8KA USG (Oxide) + 10KA Oxynitride.

Bond pad metal composition is 99.5% Al and 0.5% Cu.

Backside potential is V+.

TYPICAL PERFORMANCE CHARACTERISTICS

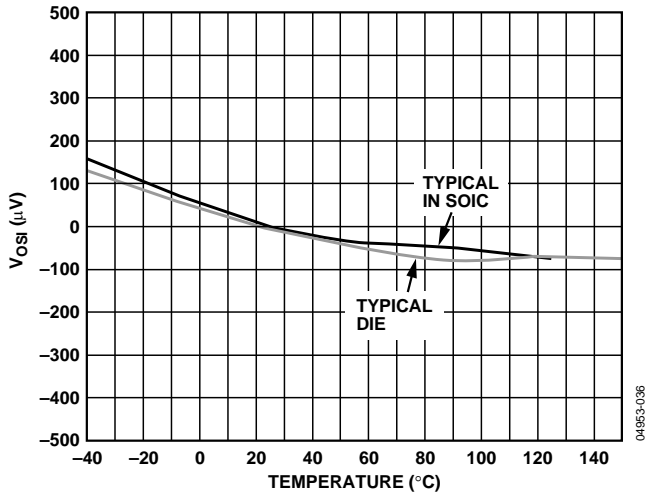


Figure 4. Typical Offset Drift

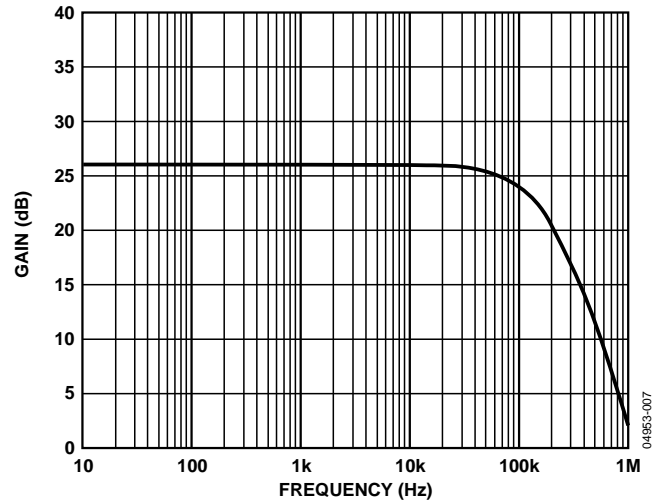


Figure 7. Typical Small Signal Bandwidth ($V_{OUT} = 200\text{ mV p-p}$)

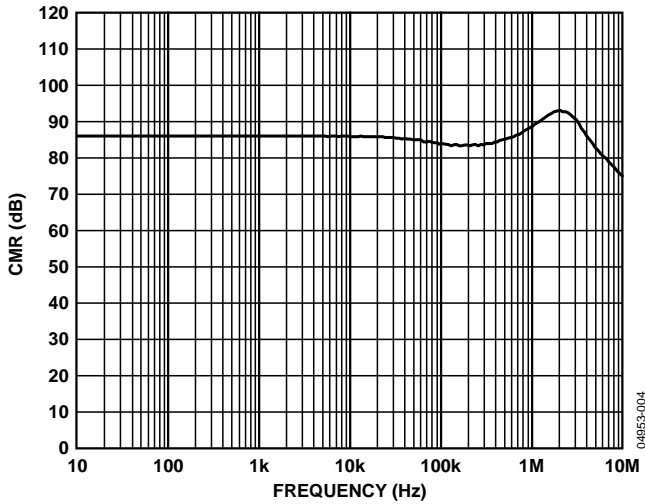


Figure 5. CMR vs. Frequency

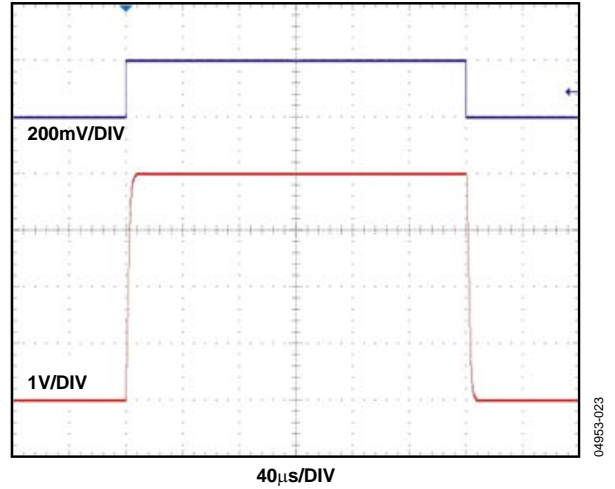


Figure 8. Rise/Fall Time

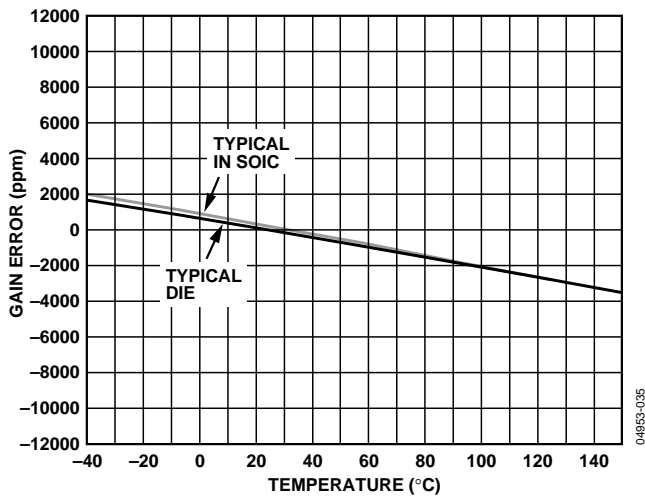


Figure 6. Gain Drift

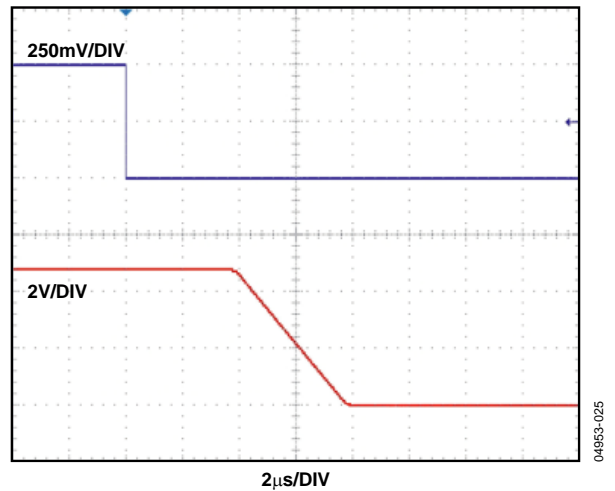


Figure 9. Differential Overload Recovery (Falling)

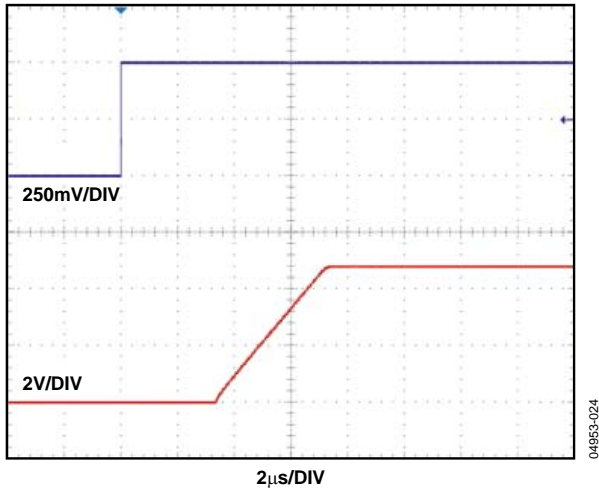


Figure 10. Differential Overload Recovery (Rising)

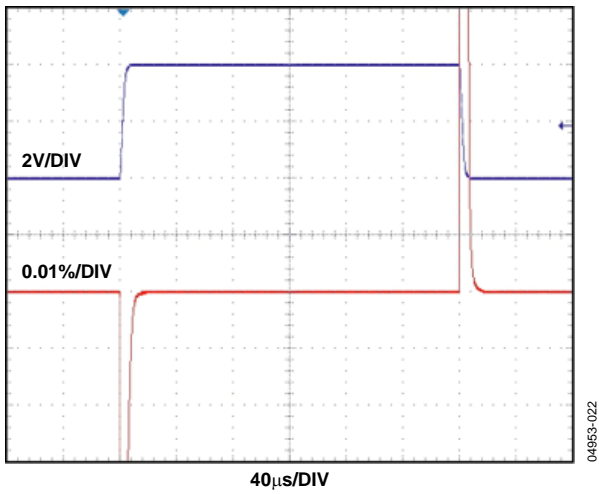


Figure 11. Settling Time

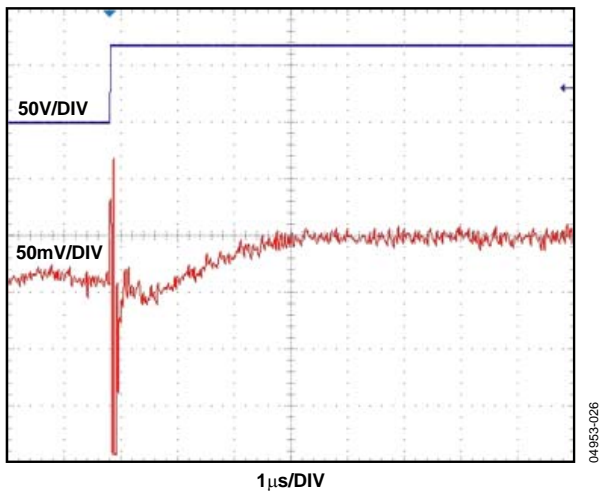


Figure 12. Common-Mode Response

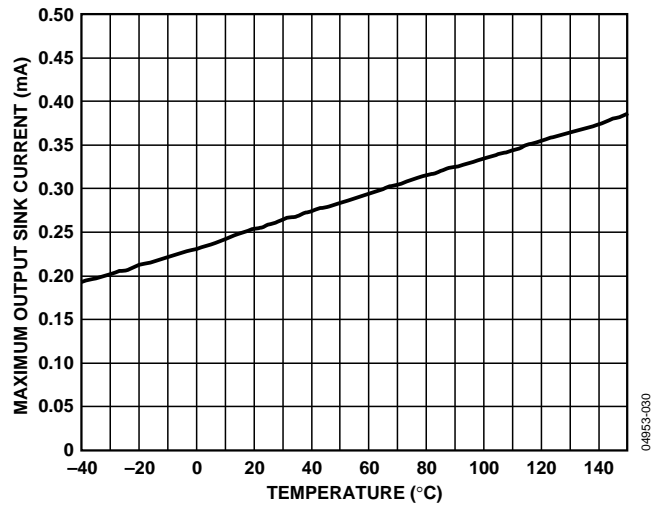


Figure 13. Output Sink Current vs. Temperature

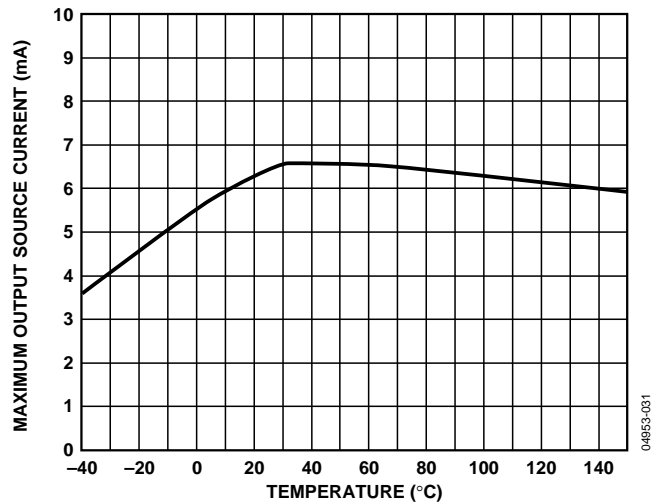


Figure 14. Output Source Current vs. Temperature

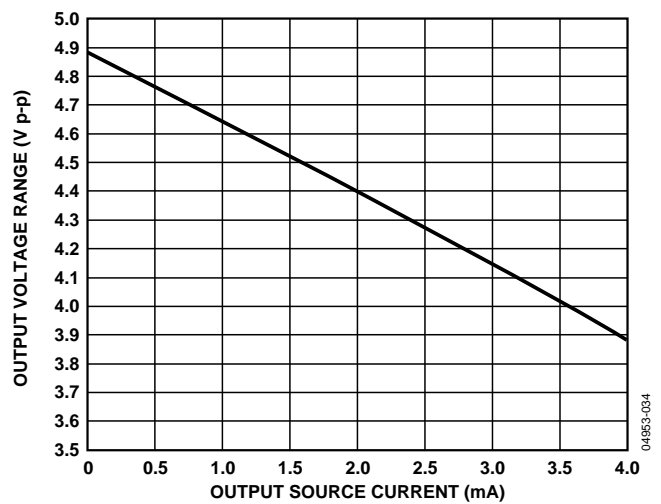


Figure 15. Output Voltage Range vs. Output Source Current

THEORY OF OPERATION

The **AD8206** is a single-supply difference amplifier that uses a unique architecture to accurately amplify small differential current shunt voltages in the presence of rapidly changing common-mode voltage. It is offered in an 8-lead SOIC package.

In typical applications, the **AD8206** is used to measure current by amplifying the voltage across a current shunt placed across the inputs.

The gain of the **AD8206** is 20 V/V, with an accuracy of 1.2%. This accuracy is guaranteed over the operating temperature range of -40°C to $+125^{\circ}\text{C}$. Note, however, that the WH grade version of the **AD8206** is specified for operation from -40°C to $+150^{\circ}\text{C}$, with the same accuracy of 1.2%.

The **AD8206** operates with a single supply from 4.5 V to 10 V (absolute maximum = 12.5 V). The supply current is less than 2 mA.

High accuracy trimming of the internal resistors allows the **AD8206** to have a typical common-mode rejection ratio better than 80 dB from dc to 20 kHz. The minimum common-mode rejection ratio over the operating temperature is 76 dB.

The output offset can be adjusted from 0.08 V to 4.7 V ($V_S = 5\text{ V}$) for unidirectional and bidirectional operation.

The **AD8206** consists of two amplifiers (A1 and A2), a resistor network, a small voltage reference, and a bias circuit. See Figure 16 for a simplified schematic diagram (bias circuit not shown).

The set of input attenuators preceding A1 consist of R_A , R_B , and R_C , which reduce the common-mode voltage to match the input voltage range of A1. The two attenuators form a balanced bridge network. When the bridge is balanced, the differential voltage created by a common-mode voltage is 0 V at the inputs of A1. The input attenuation ratio is 1/16.7. The combined series resistance of R_A , R_B , and R_C is approximately $200\text{ k}\Omega \pm 20\%$.

By attenuating the voltages at Pin 1 and Pin 8, the A1 amplifier inputs are held within the power supply range, even if Pin 1 and Pin 8 exceed the supply or fall below common (ground). A reference voltage of 250 mV biases the attenuator above ground. This allows the amplifier to operate in the presence of negative common-mode voltages.

The input network also attenuates normal (differential) mode voltages. A1 amplifies the attenuated signal by 26. The input and output of this amplifier are differential to maximize the ac common-mode rejection.

A2 converts the differential voltage from A1 into a single-ended signal and provides further amplification. The gain of this second stage is 12.86.

The reference inputs, V_{REF1} and V_{REF2} , are tied through resistors to the positive input of A2, which allows the output offset to be adjusted anywhere in the output operating range. The gain is 1 V/V from the reference pins to the output when the reference pins are used in parallel. The gain is 0.5 V/V when they are used to divide the supply.

The ratios of Resistors R_A , R_B , R_C , R_D , and R_F are trimmed to a high level of precision to allow the common-mode rejection ratio to exceed 80 dB. This is accomplished by laser trimming the resistor ratio matching to better than 0.01%.

The total gain of 20 is made up of the input attenuation of 1/16.7 multiplied by the first stage gain of 26 and the second stage gain of 12.86.

The output stage is a Class A with a PNP pull-up transistor and a 300 μA current sink pull-down.

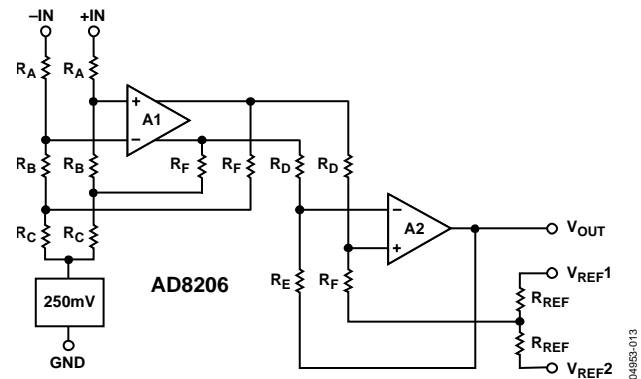


Figure 16. Simplified Schematic

OUTPUT OFFSET ADJUSTMENT

The output of the AD8206 can be adjusted for unidirectional or bidirectional operation.

UNIDIRECTIONAL OPERATION

Unidirectional operation allows the AD8206 to measure currents through a resistive shunt in one direction. The basic modes for unidirectional operation are ground referenced output mode and V_+ referenced output mode.

For unidirectional operation, the output can be set at the negative rail (near ground) or at the positive rail (near V_+) when the differential input is 0 V. The output moves to the opposite rail when a correct polarity differential input voltage is applied. In this case, full scale is approximately 250 mV. The required polarity of the differential input depends on the output voltage setting. If the output is set at the positive rail, the input polarity needs to be negative to move the output down. If the output is set at ground, the polarity is positive to move the output up.

GROUND REFERENCED OUTPUT

When using the AD8206 in this mode, both referenced inputs are tied to ground, which causes the output to sit at the negative rail when there are zero differential volts at the input (see Figure 17).

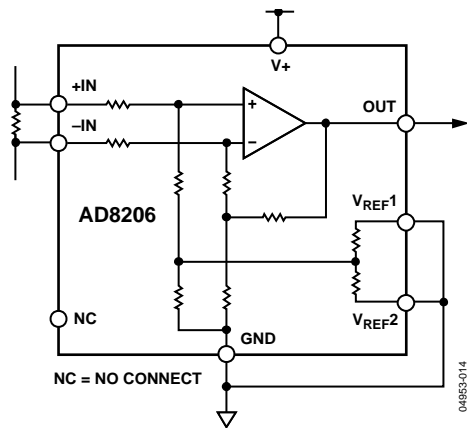


Figure 17. Ground Referenced Output

Table 4. $V_+ = 5\text{ V}$

V_{IN} (Referred to $-IN$)	V_o
0 V	0.08 V
250 mV	4.7 V

V_+ REFERENCED OUTPUT

This mode is set when both reference pins are tied to the positive supply. It is typically used when the diagnostic scheme requires detection of the amplifier and the wiring before power is applied to the load (see Figure 18).

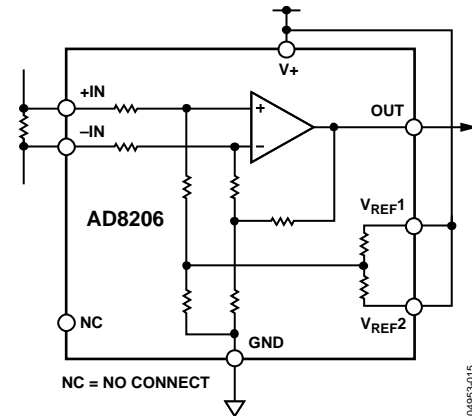


Figure 18. V_+ Referenced Output

Table 5. $V_+ = 5\text{ V}$

V_{IN} (Referred to $-IN$)	V_o
0 V	4.7 V
-250 mV	0.08 V

BIDIRECTIONAL OPERATION

Bidirectional operation allows the AD8206 to measure currents through a resistive shunt in two directions.

In this case, the output is set anywhere within the output range. Typically, it is set at half-scale for equal range in both directions. In some cases, however, it is set at a voltage other than half-scale when the bidirectional current is nonsymmetrical.

Table 6. $V_+ = 5\text{ V}$, $V_o = 2.5\text{ V}$ with $V_{IN} = 0\text{ V}$

V_{IN} (Referred to $-IN$)	V_o
+100 mV	4.5 V
-100 mV	0.5 V

Adjusting the output is accomplished by applying voltage(s) to the referenced inputs.

V_{REF1} and V_{REF2} are tied to internal resistors that connect to an internal offset node. There is no operational difference between the pins.

EXTERNAL REFERENCED OUTPUT

Tying both pins together and to a reference produces an output equal to the reference voltage when there is no differential input (see Figure 19). The output moves down from the reference voltage when the input is negative, relative to the -IN pin and up when the input is positive, relative to the -IN pin.

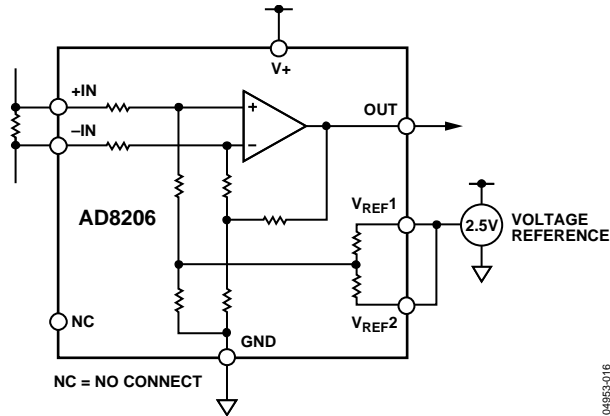


Figure 19. External Referenced Output

SPLITTING THE SUPPLY

By tying one reference pin to V+ and the other to the ground pin, the output is set at half of the supply when there is no differential input (see Figure 20). The benefit is that no external reference is required to offset the output for bidirectional current measurement. This creates a midscale offset that is ratiometric to the supply, which means that if the supply increases or decreases, the output remains at half the supply. For example, if the supply is 5.0 V, the output is at half scale or 2.5 V. If the supply increases by 10% (to 5.5 V), the output goes to 2.75 V.

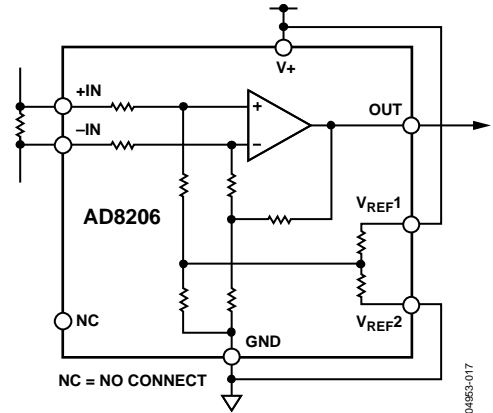


Figure 20. Split Supply

SPLITTING AN EXTERNAL REFERENCE

In this case, an external reference is divided by 2 with an accuracy of approximately 0.5% by connecting one VREF pin to ground and the other VREF pin to the reference (see Figure 21).

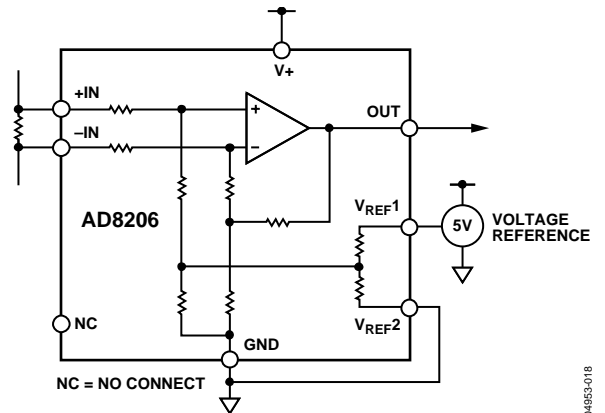


Figure 21. Split External Reference

APPLICATIONS INFORMATION

A typical application for the [AD8206](#) is high-side measurement of a current through a solenoid for PWM control of the solenoid opening. Typical applications include hydraulic transmission control and diesel injection control.

Two typical circuit configurations are used for this type of application.

HIGH-SIDE CURRENT SENSE WITH A LOW-SIDE SWITCH

In this case, the PWM control switch is ground referenced. An inductive load (solenoid) is tied to a power supply. A resistive shunt is placed between the switch and the load (see Figure 22). An advantage of placing the shunt on the high side is that the entire current, including the recirculation current, can be measured since the shunt remains in the loop when the switch is off. In addition, diagnostics can be enhanced because shorts to ground can be detected with the shunt on the high side.

In this circuit configuration, when the switch is closed, the common-mode voltage moves down to near the negative rail. When the switch is opened, the voltage reversal across the inductive load causes the common-mode voltage to be held one diode drop above the battery by the clamp diode.

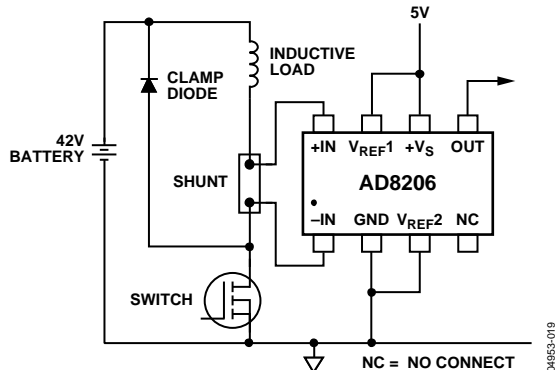


Figure 22. Low-Side Switch

HIGH-SIDE CURRENT SENSE WITH A HIGH-SIDE SWITCH

This configuration minimizes the possibility of unexpected solenoid activation and excessive corrosion (see Figure 23). In this case, both the switch and the shunt are on the high side. When the switch is off, this removes the battery from the load, which prevents damage from potential shorts to ground, while still allowing the recirculating current to be measured and providing for diagnostics. Removing the power supply from the load for the majority of the time minimizes the corrosive effects that could be caused by the differential voltage between the load and ground.

When using a high-side switch, the battery voltage is connected to the load when the switch is closed, causing the common-mode voltage to increase to the battery voltage. In this case, when the switch is opened, the voltage reversal across the inductive load causes the common-mode voltage to be held one diode drop below ground by the clamp diode.

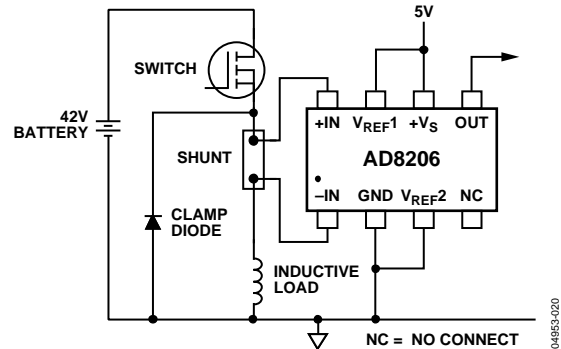


Figure 23. High-Side Switch

Another typical application for the [AD8206](#) is as part of the control loop in H-bridge motor control. In this case, the [AD8206](#) is placed in the middle of the H-bridge (see Figure 24) so that it can accurately measure current in both directions by using the shunt available at the motor. This is a better solution than a ground referenced op amp because ground is not typically a stable reference voltage in this type of application. This instability in the ground reference causes the measurements that could be made with a simple ground referenced op amp to be inaccurate.

The [AD8206](#) measures current in both directions as the H-bridge switches and the motor changes direction. The output of the [AD8206](#) is configured in an external reference bidirectional mode, see the Output Offset Adjustment section.

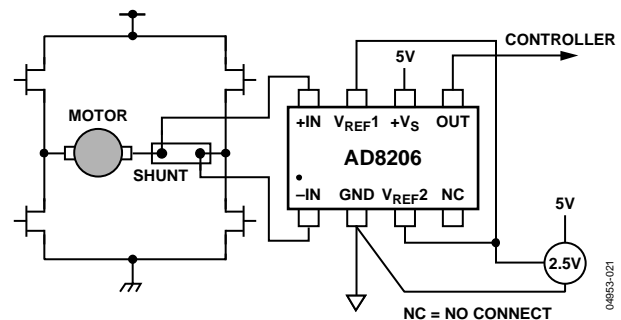
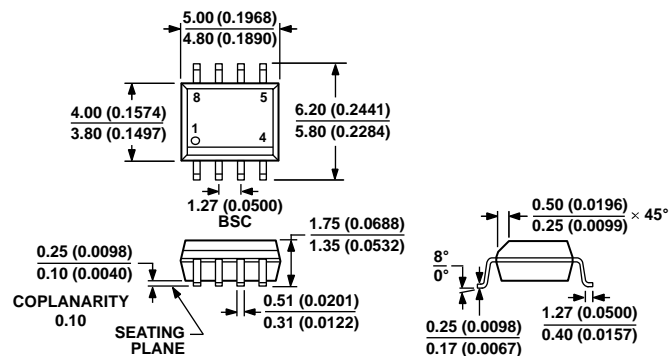


Figure 24. Motor Control Application

OUTLINE DIMENSIONS



COMPLIANT TO JEDEC STANDARDS MS-012-AA
 CONTROLLING DIMENSIONS ARE IN MILLIMETERS; INCH DIMENSIONS
 (IN PARENTHESES) ARE ROUNDED-OFF MILLIMETER EQUIVALENTS FOR
 REFERENCE ONLY AND ARE NOT APPROPRIATE FOR USE IN DESIGN.

Figure 25. 8-Lead Standard Small Outline Package [SOIC_N]
 Narrow Body (R-8)

Dimensions shown in millimeters and (inches)

012A07-A

ORDERING GUIDE

Model ^{1,2}	Temperature Range	Package Description	Package Option
AD8206YRZ	−40°C to +125°C	8-Lead SOIC_N	R-8
AD8206YRZ-REEL	−40°C to +125°C	8-Lead SOIC_N, 13" Tape and Reel	R-8
AD8206YRZ-REEL7	−40°C to +125°C	8-Lead SOIC_N, 7" Tape and Reel	R-8
AD8206WYRZ	−40°C to +125°C	8-Lead SOIC_N	R-8
AD8206WYRZ-R7	−40°C to +125°C	8-Lead SOIC_N, 7" Tape and Reel	R-8
AD8206WYRZ-RL	−40°C to +125°C	8-Lead SOIC_N, 13" Tape and Reel	R-8
AD8206WHRZ	−40°C to +150°C	8-Lead SOIC_N	R-8
AD8206WHRZ-RL	−40°C to +150°C	8-Lead SOIC_N, 13" Tape and Reel	R-8

¹ Z = RoHS Compliant Part.

² W = Qualified for Automotive Applications.

AUTOMOTIVE PRODUCTS

The [AD8206W](#) models are available with controlled manufacturing to support the quality and reliability requirements of automotive applications. Note that these automotive models may have specifications that differ from the commercial models; therefore, designers should review the Specifications section of this data sheet carefully. Only the automotive grade products shown are available for use in automotive applications. Contact your local Analog Devices account representative for specific product ordering information and to obtain the specific Automotive Reliability reports for these models.

X-ON Electronics

Largest Supplier of Electrical and Electronic Components

Click to view similar products for [Differential Amplifiers](#) category:

Click to view products by [Analog Devices](#) manufacturer:

Other Similar products are found below :

[LT6604IUFF-2.5#PBF](#) [INA149AMDREP](#) [LT6600CS8-15#PBF](#) [LT6604IUFF-15#PBF](#) [LT6604CUFF-5#PBF](#) [THS4552IRTWT](#) [LTC1992-2IMS8#PBF](#) [AD8138SRMZ-EP-R7](#) [LT6376IMS#PBF](#) [AD626ANZ](#) [AD626BNZ](#) [AD629ANZ](#) [AD629BNZ](#) [AD8129ARMZ](#) [AD8131ARMZ-REEL7](#) [AD8132ARMZ-REEL7](#) [AD8137WYCPZ-R7](#) [AD8138AARZ](#) [AD8138ARMZ](#) [AD8139ACPZ-REEL7](#) [AD8139ARDZ](#) [AD8139ARDZ-REEL7](#) [AD8202WYRMZ](#) [AD8203YRMZ](#) [AD8208WBRMZ](#) [AD8209AWBRMZ](#) [AD8209WBRMZ](#) [AD8209WHRMZ](#) [AD8271ARMZ](#) [AD8274ARMZ](#) [AD8278ARMZ](#) [AD8278ARMZ-R7](#) [AD8278BRMZ-R7](#) [AD830ANZ](#) [AD8350ARMZ15](#) [AD8350ARMZ20](#) [AD8366ACPZ-R7](#) [AD8475BRMZ](#) [AD8476ACPZ-R7](#) [AD8476ARMZ-R7](#) [AD8476BCPZ-R7](#) [AD8476BCPZ-WP](#) [AD8147ACPZ-R2](#) [ADA4930-2YCPZ-R2](#) [ADA4938-2ACPZ-R7](#) [ADL5331ACPZ-R7](#) [ADA4939-2YCPZ-R7](#) [AD8133ACPZ-R2](#) [AD8133ACPZ-REEL7](#) [AD8148ACPZ-R7](#)