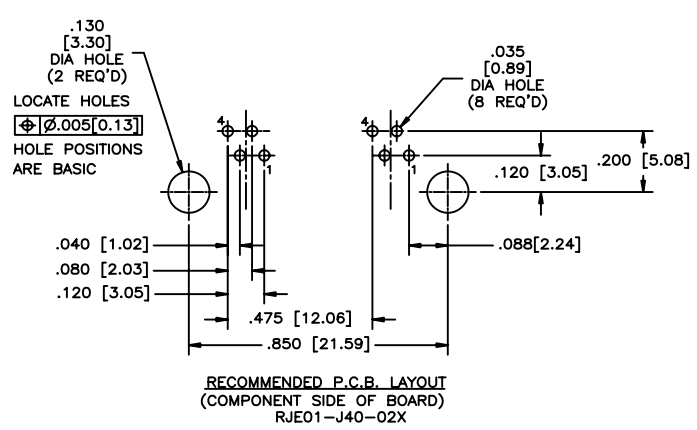
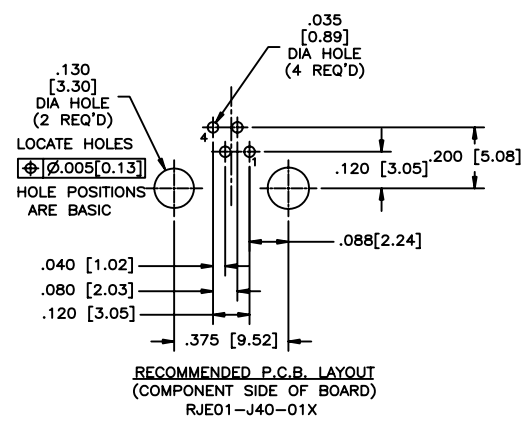
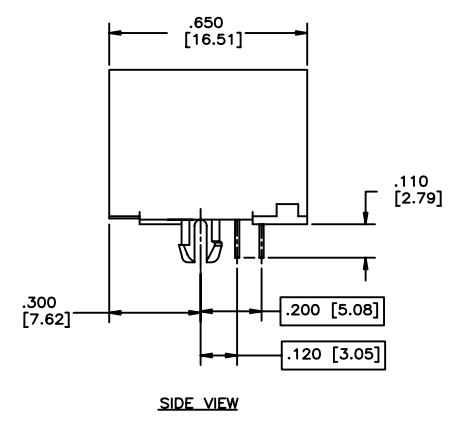
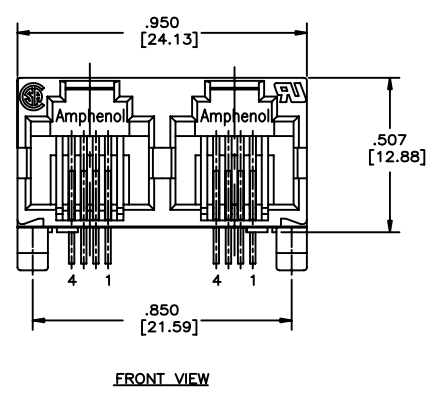
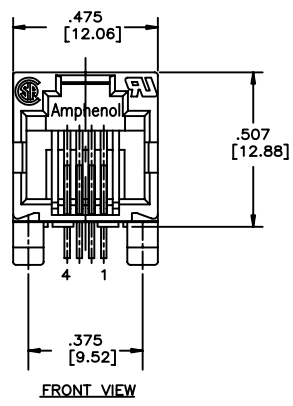


REVISIONS				
SYM	ZONE	ECN, ERN NO.	DATE	APPRD.
A		ECN E07100	APR.09.07	L.CHAN



**MATERIALS:**

**PLASTIC HOUSING:** HIGH TEMPERATURE THERMOPLASTIC  
FLAMMABILITY RATING UL 94V-0.  
COLOR: BLACK

**CONTACTS:** PHOSPHOR BRONZE

**CONTACT PLATING:** 30 u" [0.76 MICRONS] MIN. GOLD ON MATING SURFACES.  
50 u" [1.27 MICRONS] MIN. NICKEL UNDERPLATE.  
100 u" [2.54 MICRONS] MIN. MATTE TIN ON CONTACT TAILS.

AMPHENOL PART NUMBER: R J E 0 1 - J 4 0 - 0 X X

1 = 1 PORTS  
2 = 2 PORTS

BLANK = STANDARD PACKING (CURRENTLY TRAY)  
B = TUBE PACKING REQUIRED

THIS DOCUMENT CONTAINS PROPRIETARY INFORMATION AND SUCH INFORMATION MAY NOT BE DISCLOSED TO OTHERS FOR ANY PURPOSE OR USED FOR MANUFACTURING PURPOSES WITHOUT WRITTEN PERMISSION FROM AMPHENOL CANADA CORP.

DRAWN	LUO W W	DATE	APR.09.07
DESIGNED			
CHECKED	Jeff OU	DATE	APR.09.07
I. E. APPRD.	YM	DATE	APR.09.07
Q. A. APPRD.			
DWG. APPRD.			
ENG. REL. NO.	ECN E07100	DWG	DRAWING NO.
REF.	EAR A070313		
DIMENSIONS ARE IN	CODE ID. NO.		
INCHES [mm]	03554	SCALE	WT. _____ SURF. _____ SHEET 1 OF 1

<b>Amphenol Canada Corp.</b>	
TITLE RJE01 SERIES HIGH SPEED MODULAR JACK, 1 & 2 PORT, 6 POSITIONS, 4 CONTACTS, WITHOUT SHIELD - RoHS COMPLIANT	
P-RJE01-J40-0XX	REV. A

## X-ON Electronics

Largest Supplier of Electrical and Electronic Components

*Click to view similar products for [Modular Connectors](#) / [Ethernet Connectors](#) category:*

*Click to view products by [Amphenol](#) manufacturer:*

Other Similar products are found below :

[8949-H88/06BLKA/SN](#) [74441-0010/BKN](#) [MP1010RX-1000](#) [MP44RX-1000](#) [PHJ-4P4C-1-V-4](#) [PHP-6P6C-5](#) [GAX-3-66](#) [GAX-8-62](#) [GDCX-PA-66-50](#) [GDCX-PN-64](#) [GDCX-PN-66](#) [GDCX-PN-66-50](#) [GDLX-A-66](#) [GDLX-N-66](#) [GDLX-S-66](#) [GDLX-S-88K](#) [GDTX-S-88-50](#) [GDX-PA-1010](#) [GLX-N-1010M-BLK](#) [GLX-S-88M-BLK](#) [GMX-N-1010](#) [GMX-S-1010](#) [GMX-S-66](#) [GMX-SMT4-N-88](#) [GPX-2-64](#) [GSGX-N-2-88](#) [GSGX-N-4-88](#) [GSX-NS2-88-3.05-50](#) [PT-108A-8C-UL](#) [PT-J951-8C](#) [PTS-J531-8CS-50UL](#) [1-1775629-2](#) [A-2014-0-4](#) [GWLX-S-88-GR](#) [GWLX-S9-88-YG](#) [DC-1021-8-WH-6](#) [1300530003](#) [1324640-4](#) [RJ11FTVC2G](#) [RJ11FTVC2N](#) [RJFTVX2SA1G](#) [132764-001](#) [1413235](#) [MP88X-1000](#) [MPS88RX-5000](#) [MRJR-5481-0F2](#) [E5288-S000K3-L](#) [E5908-15A242-L](#) [155302-001](#) [AX100653](#)