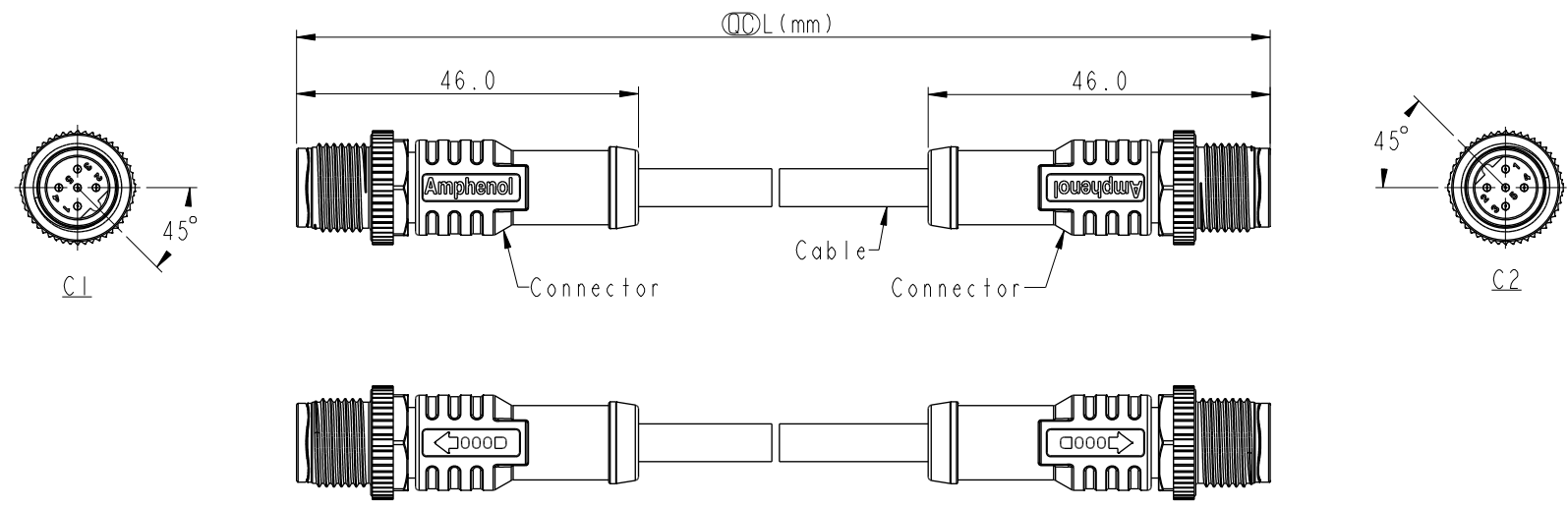


THIS DOCUMENT IS SUBJECT TO CHANGE WITHOUT NOTICE. IT IS CONFIDENTIAL AND A PROPERTY OF Amphenol LTW. DISCLOSURE TO THIRD PARTY HAS TO BE AUTHORIZED BY Amphenol LTW.

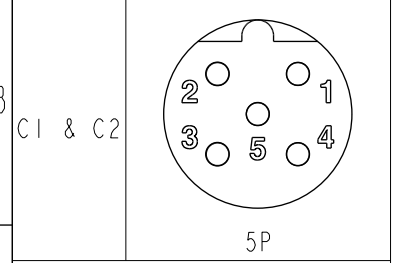
REV.	ECN NO.	DATE	SIGN	DESCRIPTION
B	C201808	2020/11/19	Vicky	$\triangle B$ X3
C	C210497	2021/03/31	Ruru	$\triangle C$ X2
D	C230014	2022/12/30	Ruru	$\triangle D$ X1



$\triangle B$ MSBPXXML-SBPML-SBXXX  
 XX: No. Of Pin  
 XXX: 0.5~99Meters  
 A05: 0.5 Meter  
 001: 1 Meter  
 002: 2 Meters  
 :  
 099: 99 Meters

- Note:  $\triangle B$   $\triangle C$
- \* RoHS Compliant
  - \*  $\odot$  Important dimension
  - $\triangle D$ \* Waterproof rate: IP68, mated 1m/24h  
IP69K, mated
  - \* Connector:  
 Housing: Thermoplastic, Black  
 Pin: Copper alloy, Gold plated  
 Nut: Thermoplastic, Black  
 Outer mold: Thermoplastic, Black
  - \* Cable: UL20549, 22#5C, OD=4.4mm, PUR Jacket, Black
  - \* Cable length tolerance:
    - 0.5M < L ≤ 1M: +60/-0 mm
    - 1M < L ≤ 3M: +120/-0 mm
    - 3M < L ≤ 5M: +160/-0 mm
    - 5M < L ≤ 10M: ±100 mm
    - 10M < L ≤ 20M: ±200 mm
    - 20M < L ≤ 30M: ±300 mm
    - 30M < L ≤ 99M: ±500 mm

Pin Out	Wire	Wire
5	Gary	灰
4	Black	黑
3	Blue	藍
2	White	白
1	Brown	棕



Pin Assignments Front View

UNIT:mm	
TOLERANCE	±0.5 mm

TITLE ACC, SEN, B Code, DB-ENDED MM $\triangle C$			
SCALE 1:2	SIZE A4	SHEET 1 OF 1	
REV. D	WC-REV.	$\odot$ : Inspection item	

**Amphenol LTW**  
 安費諾亮泰企業股份有限公司

ITEM NO	DRAWN BY Ruru	DATE 2018-12-10
DWG NO $\triangle B$ MSBPXXML-SBPML-SBXXX	CHECKED BY Rita	DATE 2018-12-10
CUSTOMER ALTW	APPROVED BY Max	DATE 2018-12-10

## X-ON Electronics

Largest Supplier of Electrical and Electronic Components

*Click to view similar products for [Sensor Cables / Actuator Cables](#) category:*

*Click to view products by [Amphenol](#) manufacturer:*

Other Similar products are found below :

[60963](#) [M83513/19-F01CP](#) [703000D02F2002](#) [703000D02F300](#) [703001D02F1201](#) [704000D02F120](#) [802027213811-1](#) [84914-0235](#)  
[883030A09M050](#) [884031A09M005](#) [8R4006A18M010](#) [1200980008](#) [1200980031](#) [1211810021](#) [1400637](#) [1401201](#) [1401348](#) [1405278](#)  
[1408644/94F/8](#) [1455311](#) [1513981](#) [1550119](#) [1554212](#) [1R3006A20A120G](#) [1R4004A17A120](#) [1R4006A20A1202](#) [1R4006A39M005](#) [2289297-6](#)  
[8R3006A16A1203](#) [8R5E36E03M020](#) [2R7004A20F060](#) [301000A01F200](#) [301002A01F120](#) [2289297-1](#) [2289297-8](#) [2289297-9](#)  
[302000A01F120](#) [CONM6A-S2](#) [309000A01F0301](#) [332021A01F200](#) [3R1006A20F030](#) [3R9006A20A1201](#) [403001A10M040](#)  
[4030P1A10M040](#) [41-01023](#) [MBCC-412](#) [331020A01F060](#) [1R3G06A20A120](#) [543031A10M010](#) [884030K05M060](#)