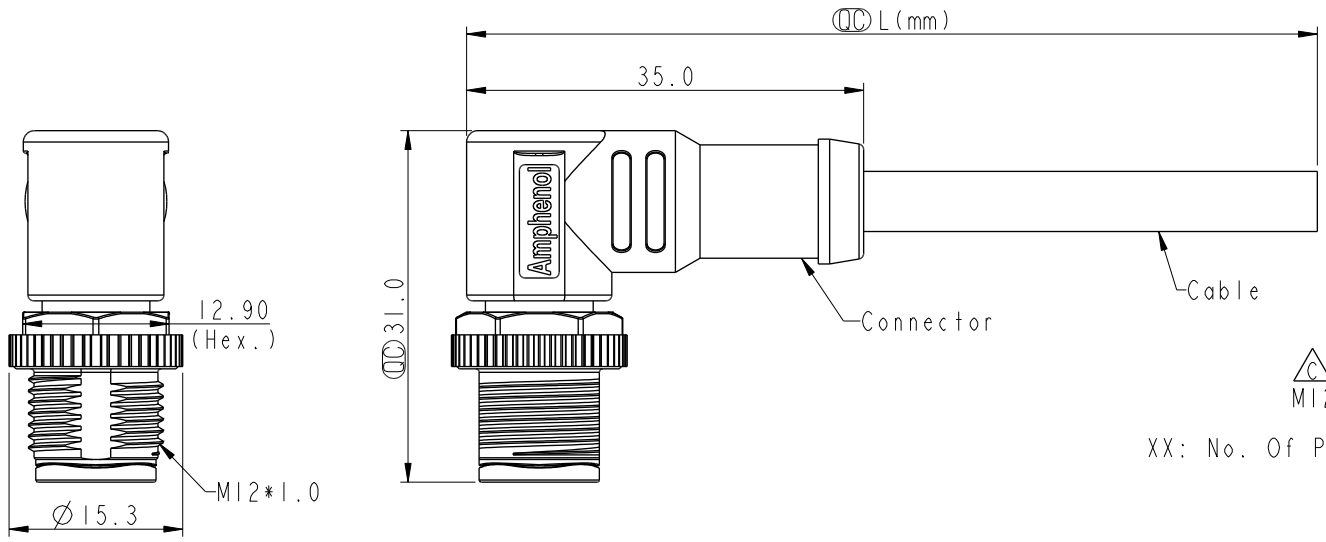


THIS DOCUMENT IS SUBJECT TO CHANGE WITHOUT NOTICE. IT IS CONFIDENTIAL AND A PROPERTY OF Amphenol LTW. DISCLOSURE TO THIRD PARTY HAS TO BE AUTHORIZED BY Amphenol LTW.

REV.	ECN NO.	DATE	SIGN	DESCRIPTION
D	C210025	2021/01/19	Vicky	$\triangle D$ X1
E	C210542	2021/04/08	Ruru	$\triangle E$ X2
F	C221874	2022/12/06	Ruru	$\triangle F$ X1



$\triangle C$   
M12D-XXBMMM-SR8EXX

XX: No. Of Pin

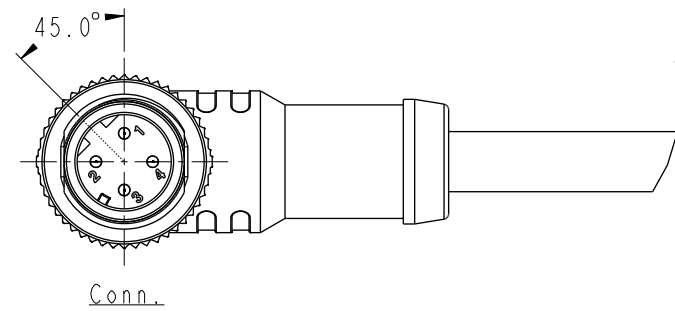
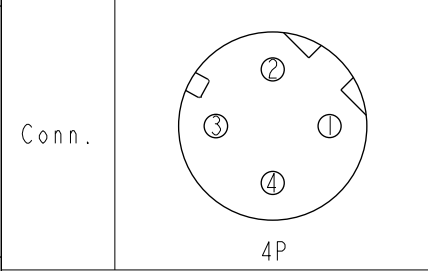
- XX:01~99Meters
- 01:01Meter
- 02:02Meters
- ...
- 99:99Meters

Note:  $\triangle B \triangle C \triangle D \triangle E$

- \* RoHS Compliant
- \*  $\text{CC}$  Important dimension
- \*  $\triangle F$  Waterproof rate: IP68, mated 1m/24h  
IP69K, mated

- \* Connector
- Housing: Thermoplastic, Black
- Pin: Copper alloy, Gold plated
- Nut: Metal
- Outer mold: Thermoplastic, Black
- \* Cable: CAT-5E, 22#\*2P+AL/MY+D, OD=6.2mm, PU Jacket, Black
- \* Cable length tolerance: 1M: +50/-0 mm
- 1M < L ≤ 3M: +100/-0 mm
- 3M < L ≤ 5M: +150/-0 mm
- 5M < L ≤ 10M: ±100 mm
- 10M < L ≤ 20M: ±200 mm
- 20M < L ≤ 30M: ±300 mm
- 30M < L ≤ 99M: ±500 mm

Pin Out	4 Green 2 White/Green 3 Orange 1 White/Orange	綠 白/綠 橙 白/橙	Twist Twist
Pin #	Wire (Cat5e)		



UNIT:mm	$\text{CC}$	$\text{CC}$
TOLERANCE	±0.5mm	

TITLE N SEN, M12 D, SCREW CABLE W/O SR, M, M, MOLDING $\triangle E$		
SCALE 3:2	SIZE A4	SHEET 1 OF 1
REV. F	WC-REV. A.2	$\text{CC}$ : Inspection item

**Amphenol LTW**  
安費諾亮泰企業股份有限公司

ITEM NO	DRAWN BY Yulong_wang	DATE 2016-10-14
DWG NO $\triangle C$ M12D-XXBMMM-SR8EXX	CHECKED BY Jinhai	DATE 2016-10-14
CUSTOMER ALTW	APPROVED BY Jerry	DATE 2016-10-14

## X-ON Electronics

Largest Supplier of Electrical and Electronic Components

*Click to view similar products for [Sensor Cables / Actuator Cables](#) category:*

*Click to view products by [Amphenol](#) manufacturer:*

Other Similar products are found below :

[60963](#) [60964](#) [M83513/19-F01CP](#) [703000D02F2002](#) [703000D02F300](#) [703001D02F1201](#) [704000D02F120](#) [802027213811-1](#) [84914-0235](#)  
[883030A09M050](#) [884031A09M005](#) [8R4006A18M010](#) [1200980008](#) [1200980031](#) [1211810021](#) [1400637](#) [1401201](#) [1401348](#) [1405278](#)  
[1408644/94F/8](#) [1455311](#) [1513981](#) [1550119](#) [1554212](#) [1R3006A20A120G](#) [1R4004A17A120](#) [1R4006A20A1202](#) [1R4006A39M005](#) [2289297-6](#)  
[8R3006A16A1203](#) [8R5E36E03M020](#) [2R7004A20F060](#) [301000A01F200](#) [301002A01F120](#) [2289297-1](#) [2289297-8](#) [2289297-9](#)  
[302000A01F120](#) [CONM6A-S2](#) [332021A01F200](#) [3R1006A20F030](#) [3R9006A20A1201](#) [403001A10M040](#) [4030P1A10M040](#) [41-01023](#)  
[MBCC-412](#) [1R3G06A20A120](#) [543031A10M010](#) [884030A09M100](#) [883033A09M020](#)