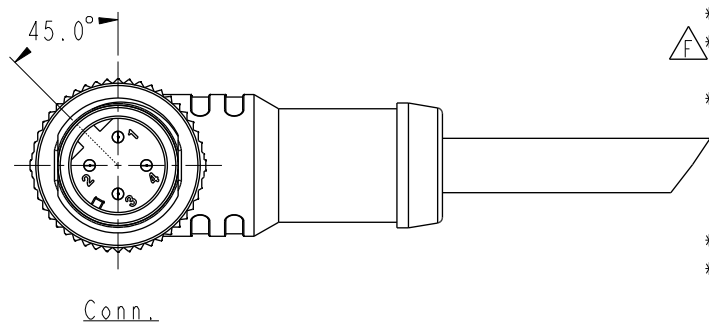
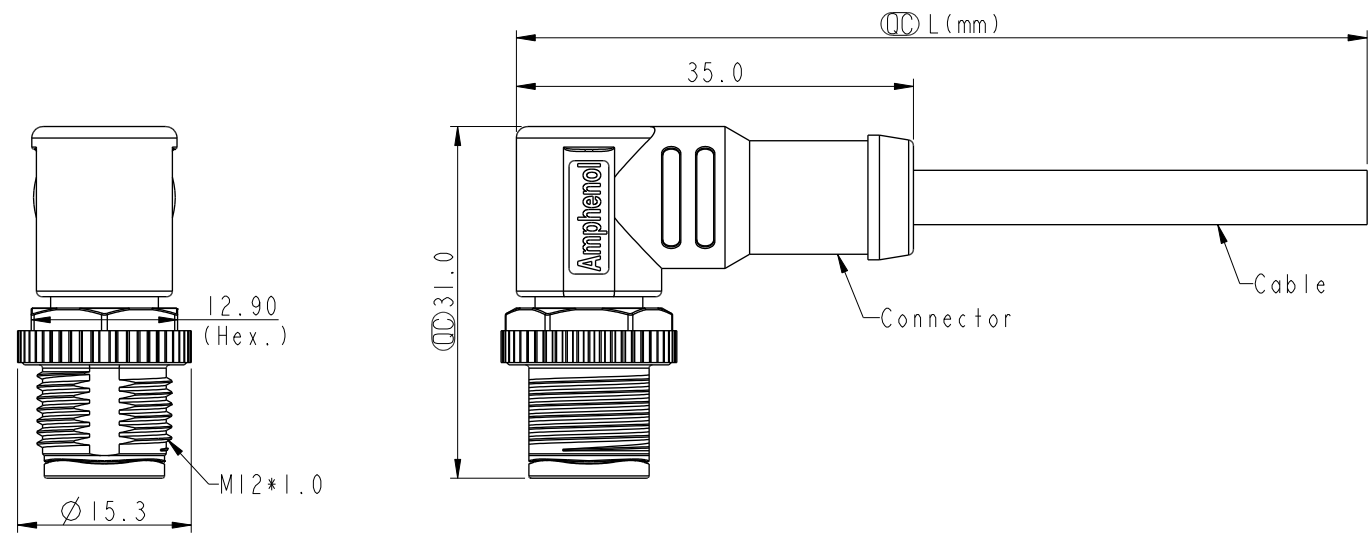


THIS DOCUMENT IS SUBJECT TO CHANGE WITHOUT NOTICE. IT IS CONFIDENTIAL AND A PROPERTY OF Amphenol LTW. DISCLOSURE TO THIRD PARTY HAS TO BE AUTHORIZED BY Amphenol LTW.

REV.	ECN NO.	DATE	SIGN	DESCRIPTION
D	C210025	2021/01/19	Vicky	$\triangle D$ XI
E	C210542	2021/04/08	Ruru	$\triangle E$ X3
F	C221874	2022/12/06	Ruru	$\triangle F$ XI



- Note: $\triangle B \triangle C \triangle D \triangle E$
- * RoHS Compliant
 - * \circledast Important dimension
 - $\triangle F$ * Waterproof rate: IP68, mated 1m/24h
IP69K, mated
 - * Connector
Housing: Thermoplastic, Black
Pin: Copper alloy, Gold plated
Nut: Metal
Outer mold: Thermoplastic, Black
 - * Cable: UL20549, PUR Jacket, Black
 - * Cable length tolerance: LM: +50/-0 mm
- | | |
|----------------|------------|
| 1M < L ≤ 3M: | +100/-0 mm |
| 3M < L ≤ 5M: | +150/-0 mm |
| 5M < L ≤ 10M: | ±100 mm |
| 10M < L ≤ 20M: | ±200 mm |
| 20M < L ≤ 30M: | ±300 mm |
| 30M < L ≤ 99M: | ±500 mm |

UNIT: mm

TOLERANCE

±0.5mm

TITLE N SEN, M12 D, SCREW CABLE W/O SR, M, M, MOLDING $\triangle E$			
SCALE 3:2	SIZE A4	SHEET 1 OF 2	
REV. F	WC-REV. A.2	\circledast : Inspection item	

Amphenol LTW

安費諾亮泰企業股份有限公司

ITEM NO.	DRAWN BY Yulong_wang	DATE 2016-10-14
DWG NO. \triangle M12D-XXBMM-SR8BXX	CHECKED BY Jinhai	DATE 2016-10-14
CUSTOMER ALTW	APPROVED BY Jerry	DATE 2016-10-14

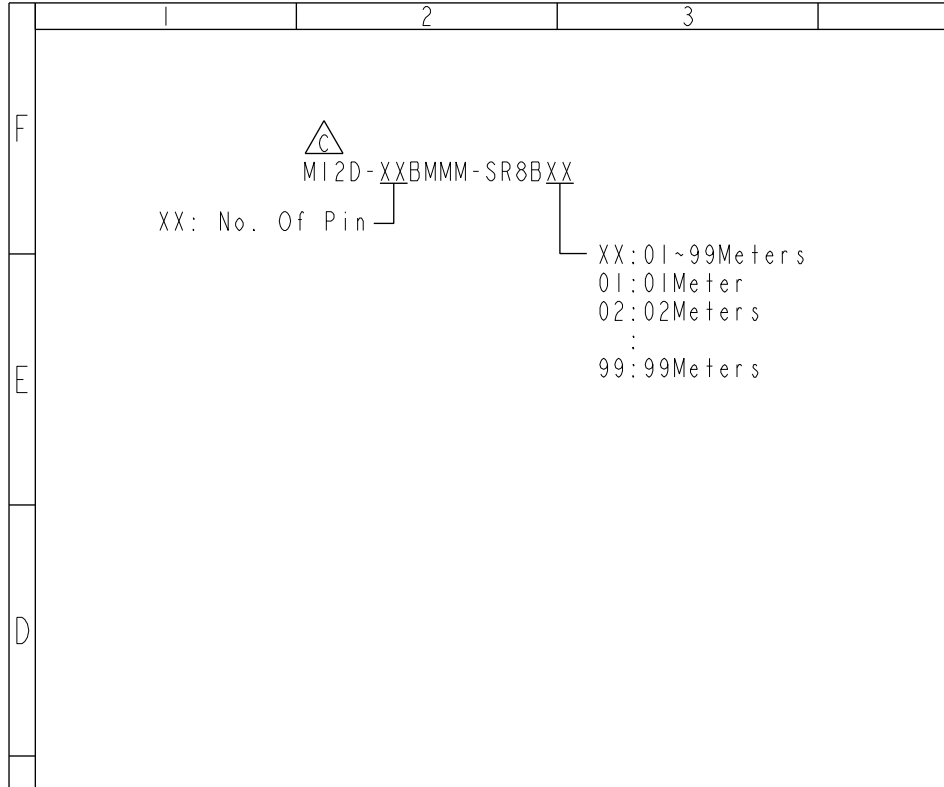
THIS DOCUMENT IS SUBJECT TO CHANGE WITHOUT NOTICE. IT IS CONFIDENTIAL AND A PROPERTY OF Amphenol LTW. DISCLOSURE TO THIRD PARTY HAS TO BE AUTHORIZED BY Amphenol LTW.

B	5P	4.4	22	MI2D-05BMMM-SR8BXX
	4P	4.0		MI2D-04BMMM-SR8BXX
B	3P	3.8		MI2D-03BMMM-SR8BXX
	Contacts	Cable OD	AWG	Item No.

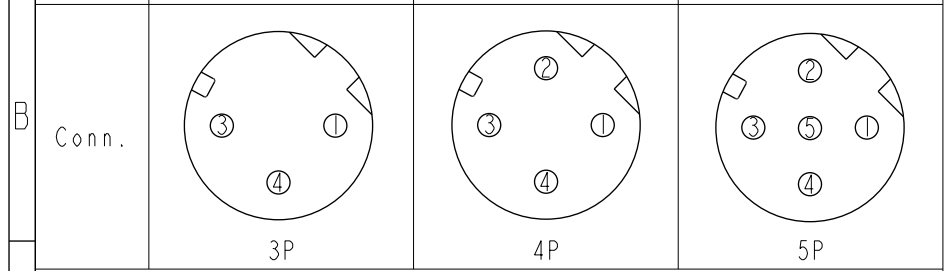
MI2D-XXBMMM-SR8BXX

XX: No. Of Pin

XX: 01~99Meters
 01: 01Meter
 02: 02Meters
 .
 99: 99Meters



C	Pin Out	5 --	5 --	5 Gray	灰
		4 Black	4 Black	4 Black	黑
		3 Blue	3 Blue	3 Blue	藍
		2 --	2 White	2 White	白
		1 Brown	1 Brown	1 Brown	棕
		Pin # Wire	Pin # Wire	Pin # Wire	



Pin Assignments Front View

UNIT:mm		TITLE
TOLERANCE	±0.5mm	N SEN, MI2 D, SCREW CABLE W/O SR, M, M, MOLDING
SCALE	3:2	SIZE A4
REV.	F	SHEET 2 OF 2
		WC-REV. A.2
		☉: Inspection item

Amphenol LTW
 安費諾亮泰企業股份有限公司

ITEM NO	DRAWN BY	DATE
	Yulong_wang	2016-10-14
DWG NO	CHECKED BY	DATE
MI2D-XXBMMM-SR8BXX	Jinhai	2016-10-14
CUSTOMER	APPROVED BY	DATE
ALTW	Jerry	2016-10-14

X-ON Electronics

Largest Supplier of Electrical and Electronic Components

Click to view similar products for [Sensor Cables / Actuator Cables](#) category:

Click to view products by [Amphenol](#) manufacturer:

Other Similar products are found below :

[60963](#) [M83513/19-F01CP](#) [703000D02F2002](#) [703000D02F300](#) [703001D02F1201](#) [704000D02F120](#) [802027213811-1](#) [84914-0235](#)
[883030A09M050](#) [884031A09M005](#) [8R4006A18M010](#) [1200980008](#) [1200980031](#) [1211810021](#) [1400637](#) [1401201](#) [1401348](#) [1405278](#)
[1408644/94F/8](#) [1455311](#) [1513981](#) [1550119](#) [1554212](#) [1R3006A20A120G](#) [1R4004A17A120](#) [1R4006A20A1202](#) [1R4006A39M005](#) [2289297-6](#)
[8R3006A16A1203](#) [8R5E36E03M020](#) [2R7004A20F060](#) [301000A01F200](#) [301002A01F120](#) [2289297-1](#) [2289297-8](#) [2289297-9](#)
[302000A01F120](#) [CONM6A-S2](#) [309000A01F0301](#) [332021A01F200](#) [3R1006A20F030](#) [3R9006A20A1201](#) [403001A10M040](#)
[4030P1A10M040](#) [41-01023](#) [MBCC-412](#) [331020A01F060](#) [1R3G06A20A120](#) [543031A10M010](#) [884030K05M060](#)