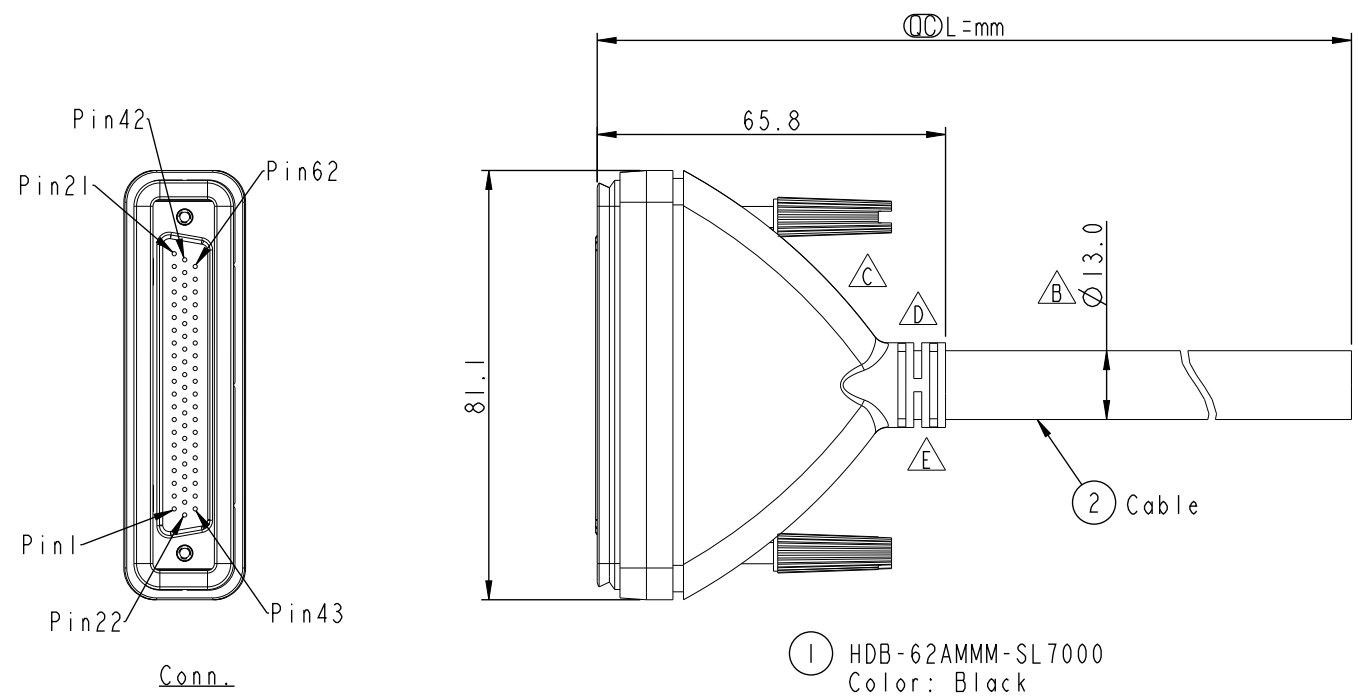


THIS DOCUMENT IS SUBJECT TO CHANGE WITHOUT NOTICE. IT IS CONFIDENTIAL AND A PROPERTY OF AMPHENOL LTW. DISCLOSURE TO THIRD PARTY HAS TO BE AUTHORIZED BY AMPHENOL LTW.

REV.	ECN NO.	DATE	SIGN	DESCRIPTION
C	LEN15A0226~29	2015/04/12	Jason.Yu	Update LOGO & Title
D	C190397	2019/04/03	Siou	Change SR Appearance.
E	C230772	2023/06/09	Alex	△E*2



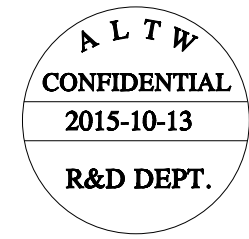
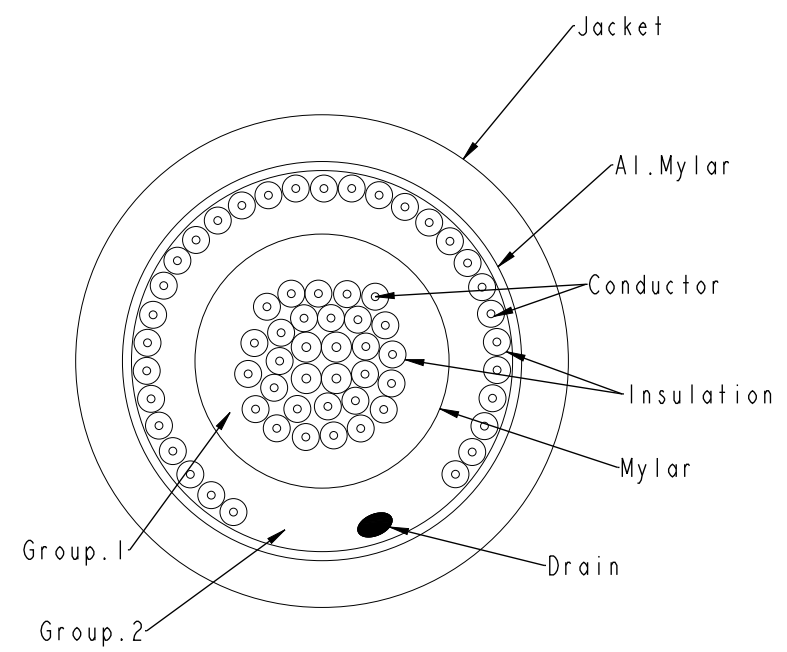
HDB-62AMMM-SL7AXX  
 XX : 01~99Meters  
 01 : 01Meters  
 02 : 02Meters  
 ...  
 99 : 99Meters  
 Cable Length(L):01~99Meters

- Note:
- \* (⊕) Important Dimension To Check.
  - \* Waterproof Rate: IP67
  - \* Housing: ABS, Black
  - \* Conn.: D-Sub 62 Pin, Male
  - \* Gasket: EPDM, Black
  - \* Screw: Big EPC
  - \* Cable: UL2464 (3IC\*26#+MY)+3IC\*26#+AL/MY+D, PVC Jacket(UV Resistant), OD=13.0, Black
  - \* Cable Length Tolerance: 1M~10M±5%mm, 11M~99M±500mm.

UNIT:mm TOLERANCE ±0.5 mm	TITLE △ HD SUB 62P M CONN CABLE SCREW HD62P M CONN M PIN		Amphenol LTW 安費諾亮泰企業股份有限公司		ITEM NO	DRAWN BY	DATE
	SCALE 7:10	SIZE A4			SHEET 1 OF 2	DWG NO HDB-62AMMM-SL7AXX	CHECKED BY Eagle
	REV. E	WC-REV. A.1	⊕: Inspection item	CUSTOMER ALTW	APPROVED BY Neo	DATE 2019/04/03	

THIS DOCUMENT IS SUBJECT TO CHANGE WITHOUT NOTICE. IT IS CONFIDENTIAL AND A PROPERTY OF Amphenol LTW. DISCLOSURE TO THIRD PARTY HAS TO BE AUTHORIZED BY Amphenol LTW.

	1	2	3	4	5	6	7	8
		Shell	Drain	地線				
F	31	Light Blue/Red 亮藍/紅	62	Light Blue/Red 亮藍/紅				
	30	Light Blue/Black 亮藍/黑	61	Light Blue/Black 亮藍/黑				
	29	Light Blue 亮藍	60	Light Blue 亮藍				
E	28	Pink/Green 粉紅/綠	59	Pink/Green 粉紅/綠				
	27	Pink/Blue 粉紅/藍	58	Pink/Blue 粉紅/藍				
	26	Pink/Red 粉紅/紅	57	Pink/Red 粉紅/紅				
	25	Pink/Black 粉紅/黑	56	Pink/Black 粉紅/黑				
	24	Gray/Black 灰/黑	55	Gray/Black 灰/黑				
	23	Green/Black 綠/黑	54	Green/Black 綠/黑				
	22	Yellow/Black 黃/黑	53	Yellow/Black 黃/黑				
D	21	Orange/Black 橘/黑	52	Orange/Black 橘/黑				
	20	Red/Black 紅/黑	51	Red/Black 紅/黑				
	19	Purple/White 紫/白	50	Purple/White 紫/白				
	18	Blue/White 藍/白	49	Blue/White 藍/白				
	17	Green/White 綠/白	48	Green/White 綠/白				
	16	Orange/White 橘/白	47	Orange/White 橘/白				
	15	Red/White 紅/白	46	Red/White 紅/白				
C	14	Brown/White 棕/白	45	Brown/White 棕/白				
	13	Black/White 黑/白	44	Black/White 黑/白				
	12	Light Green 亮綠	43	Light Green 亮綠				
	11	Pink 粉紅	42	Pink 粉紅				
	10	White 白	41	White 白				
	9	Gray 灰	40	Gray 灰				
	8	Purple 紫	39	Purple 紫				
B	7	Blue 藍	38	Blue 藍				
	6	Green 綠	37	Green 綠				
	5	Yellow 黃	36	Yellow 黃				
	4	Orange 橘	35	Orange 橘				
	3	Red 紅	34	Red 紅				
	2	Brown 棕	33	Brown 棕				
	1	Black 黑	32	Black 黑				



Conn.	Wire Color	Conn.	Wire Color
Group1 Pin Out		Group2 Pin Out	
UNIT:mm		TITLE	
TOLERANCE		HD SUB 62P M CONN	
±0.5 mm		CABLE SCREW HD62P M CONN M PIN	
SCALE	SIZE	SHEET	OF
7:10	A4	2	2
REV.	WC-REV.	QC: Inspection item	
E	A.1		

**Amphenol LTW**  
安費諾亮泰企業股份有限公司

ITEM NO	DRAWN BY	DATE
	Siou	2019/04/03
DWG NO	CHECKED BY	DATE
HDB-62AMMM-SL7AXX	Eagle	2019/04/03
CUSTOMER	APPROVED BY	DATE
ALTW	Neo	2019/04/03

## X-ON Electronics

Largest Supplier of Electrical and Electronic Components

*Click to view similar products for [D-Sub Cables](#) category:*

*Click to view products by [Amphenol](#) manufacturer:*

Other Similar products are found below :

[1200980067](#) [RB15P15P-006](#) [RB09P09P-024](#) [319285-3](#) [SDB25P25S-060](#) [SHD26P26S-060](#) [73-6230MM-50](#) [Dual\\_DB9\\_Serial](#) [CS-DSDMDB09MM-050](#) [1200980052](#) [1200980021](#) [6XV18301CH30](#) [KSFD1](#) [1200980117](#) [AK-610201-020-E](#) [83421-9039](#) [83421-9050](#) [83422-9007](#) [30-9506MF](#) [DGB9FT](#) [621850-2](#) [83421-9221](#) [AK129-2](#) [AK131-2](#) [AK135-2](#) [AK166-3](#) [AK178-3](#) [AK3220-1.8](#) [MLDM2L-25P-6K7-18B](#) [AK579/F-1](#) [AK125-2](#) [2305622](#) [2305664](#) [710-10012-00200](#) [76000724](#) [83421-9043](#) [83421-9208](#) [83421-9222](#) [CS-DSDMDB15FF-005](#) [CS-DSDHD15MM0-002.5](#) [CS-DSDHD15MM0-005](#) [CS-DSDHD15MM0-007.5](#) [AK143-3](#) [AK162-3](#) [AK170-3](#) [AK182-3](#) [AK322-2](#) [AK401-2](#) [AK174-3](#) [AK152-2](#)