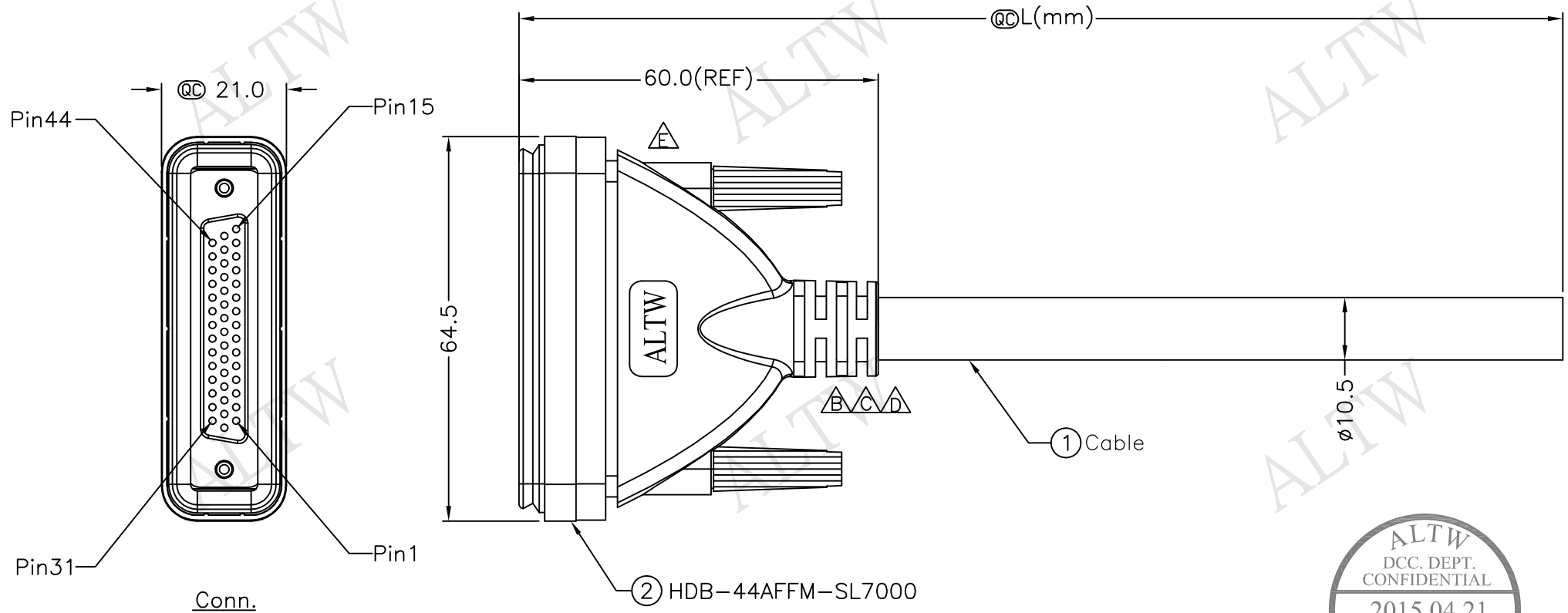


REV.	ECN NO.	DATE	SIGN.	DESCRIPTION
C	LEN-960023~6	2009/03/10	Li Xiu Zhi	Change SR
D	LEN-9B0057~60	2009/10/21	Li Xiu Zhi	Change SR
E	LEN1540168~172	2015/03/17	Ruru	Change Logo



ALTW
DCC. DEPT.
CONFIDENTIAL
2015.04.21
ISSUED

ALTW
CONFIDENTIAL
2015.03.17
R&D DEPT.

UNIT:mm	TITLE D-SUB Conn Cable Screw HD44P F Conn F Pin	
TOLERANCE ±0.5 mm	SCALE Free	SHEET 1 OF 2
REV. E	SIZE A4	QC : Inspection Item

Amphenol LTW
安費諾亮泰企業股份有限公司

ITEM NO	DRAWN BY Ruru	DATE 2015/03/17
DWG NO HDB-44AFFM-SL7AXX	CHECKED BY Rita	DATE 2015/03/17
CUSTOMER ALTW	APPROVED BY Lion	DATE 2015/03/17

THIS DOCUMENT IS SUBJECT TO CHANGE WITHOUT NOTICE. IT IS CONFIDENTIAL AND A PROPERTY OF Amphenol LTW. DISCLOSURE TO THIRD PARTY HAS TO BE AUTHORIZED BY Amphenol LTW.

1 2 3 4 5 6 7 8

F

E

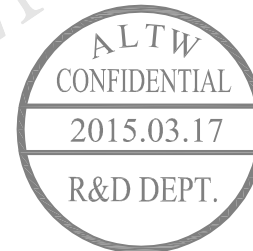
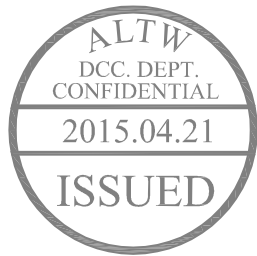
D

C

B

A

1 2 3 4 5 6 7 8 FMW10702-01-01A2



HDB-44AFFM-SL7AXX

XX :01~99Meters
 01 :01Meter
 02 :02Meters
 ...
 99 :99Meters

Cable Length(L):01~99Meters

Note:

- * @@Important Dimension To Check.
- * Waterproof Rate: IP67
- * Housing: ABS, Black
- * Gasket: EPDM, Black
- * Screw: Steel, Nickel Plated
- * Cable: UL2464 26AWG*44C+Drain+Al/My (UV Resistant), OD=10.5mm, Black
- * Cable Length Tolerance: 01M:±40mm
 02M~05M:±60mm
 06M~10M:±100mm
 11M~30M:±200mm
 31M~99M:±500mm

Shell	Drain	地線			
22	Yellow/Black	黃/黑	44	Light Yellow/Red	淺黃/紅
21	Orange/Black	橙/黑	43	Light Yellow/Black	淺黃/黑
20	Red/Black	紅/黑	42	Light Yellow	淺黃
19	Purple/White	紫/白	41	Light Green/Green	淺綠/綠
18	Blue/White	藍/白	40	Light Green/Blue	淺綠/藍
17	Green/White	綠/白	39	Light Green/Red	淺綠/紅
16	Orange/White	橙/白	38	Light Green/Black	淺綠/黑
15	Red/White	紅/白	37	Blue/Black	藍/黑
14	Brown/White	棕/白	36	Purple/Black	紫/黑
13	Black/White	黑/白	35	Gray/Green	灰/綠
12	Light Green	淺綠	34	Gray/Red	灰/紅
11	Purple	紫	33	Light Blue/Green	淺藍/綠
10	Orange	桔	32	Light Blue/Blue	淺藍/藍
9	Black	黑	31	Light Blue/Red	淺藍/紅
8	Red	紅	30	Light Blue/Black	淺藍/黑
7	Pink	粉	29	Light Blue	淺藍
6	Gray	灰	28	Pink/Green	粉/綠
5	Yellow	黃	27	Pink/Blue	粉/藍
4	Green	綠	26	Pink/Red	粉/紅
3	White	白	25	Pink/Black	粉/黑
2	Blue	藍	24	Gray/Black	灰/黑
1	Brown	棕	23	Green/Black	綠/黑
Conn.	Wire Color		Conn.	Wire Color	

Pin Out

UNIT:mm		TITLE
TOLERANCE		D-SUB CONN CABLE SCREW HD44P F CONN F PIN
±0.5 mm		SCALE Free SHEET 2 OF 2
	REV. E	SIZE A4
		QC :Inspection Item

Amphenol LTW
 安費諾亮泰企業股份有限公司

ITEM NO	DRAWN BY	DATE
	Ruru	2015/03/17
DWG NO	CHECKED BY	DATE
HDB-44AFFM-SL7AXX	Rita	2015/03/17
CUSTOMER	APPROVED BY	DATE
ALTW	Lion	2015/03/17

THIS DOCUMENT IS SUBJECT TO CHANGE WITHOUT NOTICE. IT IS CONFIDENTIAL AND A PROPERTY OF AMPHENOL LTW. DISCLOSURE TO THIRD PARTY HAS TO BE AUTHORIZED BY AMPHENOL LTW.

X-ON Electronics

Largest Supplier of Electrical and Electronic Components

Click to view similar products for [D-Sub Cables](#) category:

Click to view products by [Amphenol](#) manufacturer:

Other Similar products are found below :

[1200980067](#) [RB15P15P-006](#) [RB09P09P-024](#) [319285-3](#) [SDB25P25S-060](#) [SHD26P26S-060](#) [73-6230MM-50](#) [Dual_DB9_Serial](#) [CS-DSDMDB09MM-050](#) [1200980052](#) [1200980021](#) [6XV18301CH30](#) [KSFD1](#) [1200980117](#) [AK-610201-020-E](#) [83421-9039](#) [83421-9050](#) [83422-9007](#) [30-9506MF](#) [DGB9FT](#) [621850-2](#) [83421-9221](#) [AK129-2](#) [AK131-2](#) [AK135-2](#) [AK166-3](#) [AK178-3](#) [AK3220-1.8](#) [MLDM2L-25P-6K7-18B](#) [AK579/F-1](#) [AK125-2](#) [2305622](#) [2305664](#) [710-10012-00200](#) [76000724](#) [83421-9043](#) [83421-9208](#) [83421-9222](#) [CS-DSDMDB15FF-005](#) [CS-DSDHD15MM0-002.5](#) [CS-DSDHD15MM0-005](#) [CS-DSDHD15MM0-007.5](#) [AK143-3](#) [AK162-3](#) [AK170-3](#) [AK182-3](#) [AK322-2](#) [AK401-2](#) [AK174-3](#) [AK152-2](#)