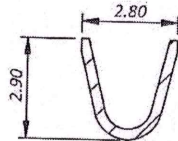
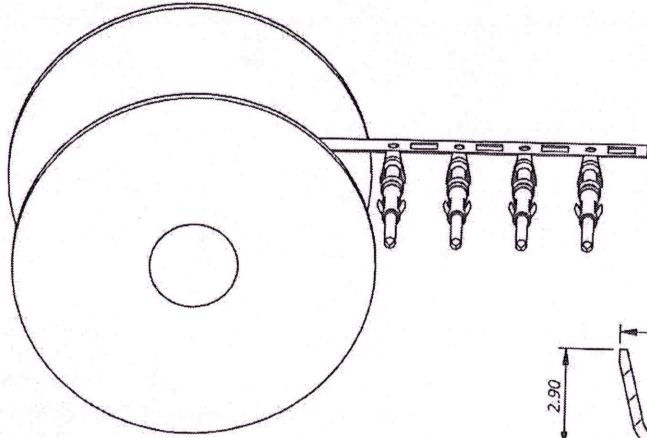
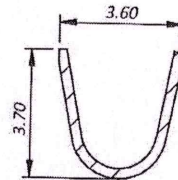


CUSTOMER DRAWING

REVISIONS					
REV#	ECR	REVISION ACTION	REV.BY:	APPR.BY:	DATE
A		INITIAL RELEASE	LQ	JL	06/09/2022

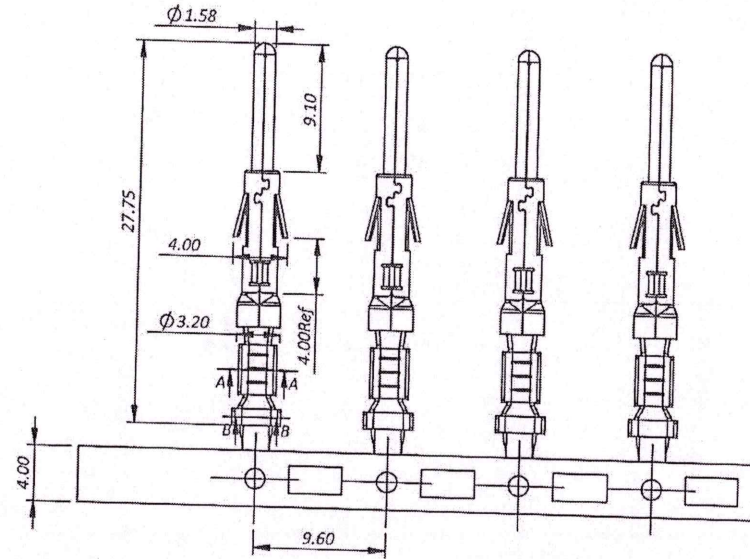


剖面 A-A
比例 5:1



剖面 B-B
比例 5:1

Amphenol TPI
2022-06-09
REGISTERED COPY



注(NOTES):

1. 对配母端直径 Mating contact diameter: 1.6mm
2. 额定电流 Current rating: 13A
3. 端子类型 Terminatin type: Crimp
4. 压线规格 Wire size: AWG16~18
5. 电镀信息 Plating specification:
镍底, 镀锡
Tin over nickel
6. 材料规格 Material specification:
 - 6.1. 端子: 铜合金 Contact type: Copper alloy
 - 6.2. 外套: 不锈钢 Outer spring: Stainless steel
7. 符合ROHS ROHS complian

Key	Characteristics	Critical
Contact	Amphenol for Latest Definition	关键点

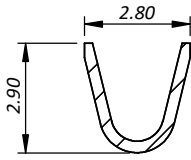
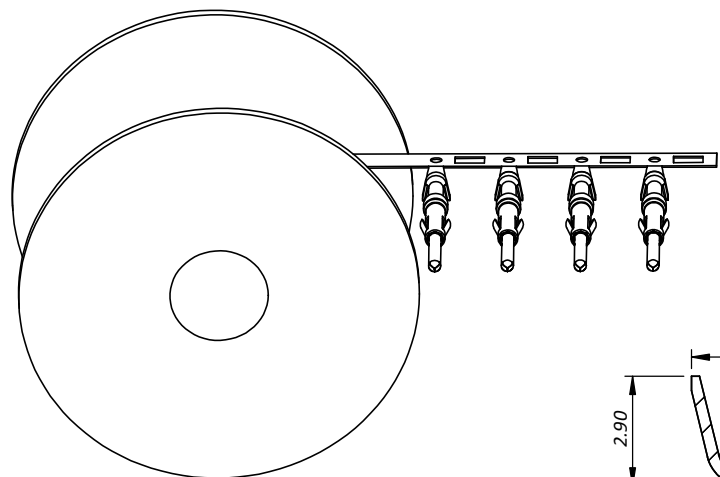
		Amphenol Technical Products International Asia.				PART NAME: HC Contact 16#Pin 16-18AWG	
		第三角投影 THIRD ANGLE PROJECTION	页面 SHEET	幅面 SIZE	版次 REV.	比例 SCALE	DWG NO: HCTM16164
签名 SIGNATURE LQ		日期 DATE 06/09/2022		1) All dimensions are in metric(mm). 2) Tolerances are as follows: 3.PL DEC ± 1.00 2.PL DEC ± 0.50 3.PL DEC ± 0.20		CUST PART # N/A	
审核 CHECKED 批准 APPROVAL		角度 ANGLES ±1°		CUST REV. A			

THIS DRAWING IS SUPPLIED FOR INFORMATION ONLY. DESIGN FEATURES, SPECIFICATIONS AND PERFORMANCE DATA SHOWN HEREON ARE THE PROPERTY OF THE AMPHENOL CORPORATION. NO RIGHTS OF REPRODUCTION ARE IMPLIED. ALL DIMENSIONS ARE SUBJECT TO NORMAL MANUFACTURING VARIATIONS.

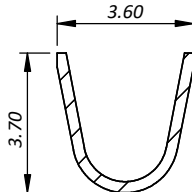
THIS DRAWING IS SUPPLIED FOR INFORMATION ONLY. DESIGN FEATURES, SPECIFICATIONS AND PERFORMANCE DATA SHOWN HEREON ARE THE PROPERTY OF THE AMPHENOL CORPORATION. NO RIGHTS OF REPRODUCTION ARE IMPLIED. ALL DIMENSIONS ARE SUBJECT TO NORMAL MANUFACTURING VARIATIONS.

CUSTOMER DRAWING

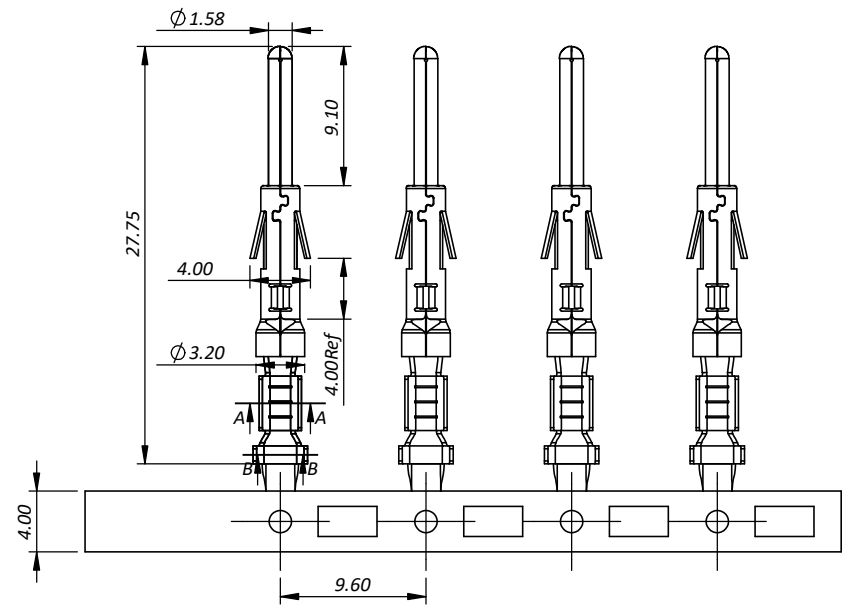
REVISIONS					
REV#	ECR	REVISION ACTION	REV.BY:	APPR.BY:	DATE
A		INITIAL RELEASE	LQ	JL	06/09/2022



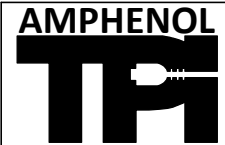
剖面 A-A
比例 5:1



剖面 B-B
比例 5:1



- 注(NOTES):**
- 对配母端直径 Mating contact diameter: 1.6mm
 - 额定电流 Current rating: 13A
 - 端子类型 Terminatin type: Crimp
 - 压线规格 Wire size: AWG16~18
 - 电镀信息 Plating specification:
镍底, 镀锡
Tin over nickel
 - 材料规格 Material specification:
 - 端子: 铜合金 Contact body: Copper alloy
 - 外套: 不锈钢 Outer spring: Stainless steel
 - 符合ROHS ROHS complian



Amphenol Technical Products International Asia.

Key Characteristics Contact Amphenol for Latest Definition Critical 关键特性 Significant 重点特性	签名 SIGNATURE	日期 DATE	UNLESS OTHERWISE SPECIFIED 1) All dimensions are in metric(mm). 2) Tolerances are as follows: 1.PL DEC ± 1.00 2.PL DEC ± 0.50 3.PL DEC ± 0.20 Angles ±1°	PART NAME:		
	制图 DRAWN	LQ		06/09/2022	HC Contact 16#Pin 16-18AWG	
	审核 CHECKED				DWG NO: HCTM16164	
	批准 APPROVAL				CUST PART #	CUST REV.
				N/A	A	

X-ON Electronics

Largest Supplier of Electrical and Electronic Components

Click to view similar products for [Terminals](#) category:

Click to view products by [Amphenol](#) manufacturer:

Other Similar products are found below :

[00-054007-01074-6](#) [00-054007-70206-1](#) [00-054007-70210-8](#) [00-054007-70217-7](#) [00-054007-70228-3](#) [00-054007-70256-6](#) [00-054007-70316-7](#) [00-054007-49560-4](#) [00-054007-70209-2](#) [00-054007-70231-3](#) [00-054007-70241-2](#) [00-054007-70242-9](#) [00-054007-70246-7](#) [00-054007-70263-4](#) [00-054007-70288-7](#) [00-054007-70290-0](#) [00-054007-70300-6](#) [00-054007-70304-4](#) [01-2900-1-04412](#) [0190160084](#) [0190350008](#) [600TS-10](#) [605601-1](#) [60617-1-C](#) [61314-6-C](#) [626-0194](#) [63-S](#) [M55155/079C01](#) [M55155/099B03](#) [M55155/109H01](#) [M55155/12XH05](#) [M55155/29XJ08](#) [M55155/30-6S](#) [M55155/30-9S](#) [M55155/30XI09](#) [M6-14RSX](#) [M86700006](#) [D18-110B-C](#) [D18-110B-M](#) [701-1936](#) [701-1955](#) [701-2003](#) [701-2007](#) [701-2013](#) [701-2018](#) [701-2069](#) [701-2077-60](#) [701-2315](#) [701-2430](#) [701-2480](#)