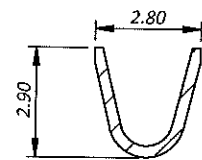
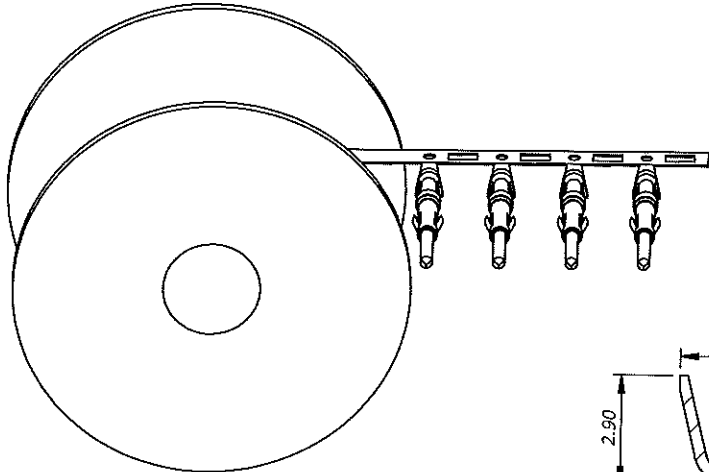


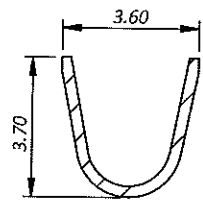
THIS DRAWING IS SUPPLIED FOR INFORMATION ONLY. DESIGN FEATURES, SPECIFICATIONS AND PERFORMANCE DATA SHOWN HEREON ARE THE PROPERTY OF THE AMPHENOL CORPORATION. NO RIGHTS OF REPRODUCTION ARE IMPLIED. ALL DIMENSIONS ARE SUBJECT TO NORMAL MANUFACTURING VARIATIONS.

CUSTOMER DRAWING

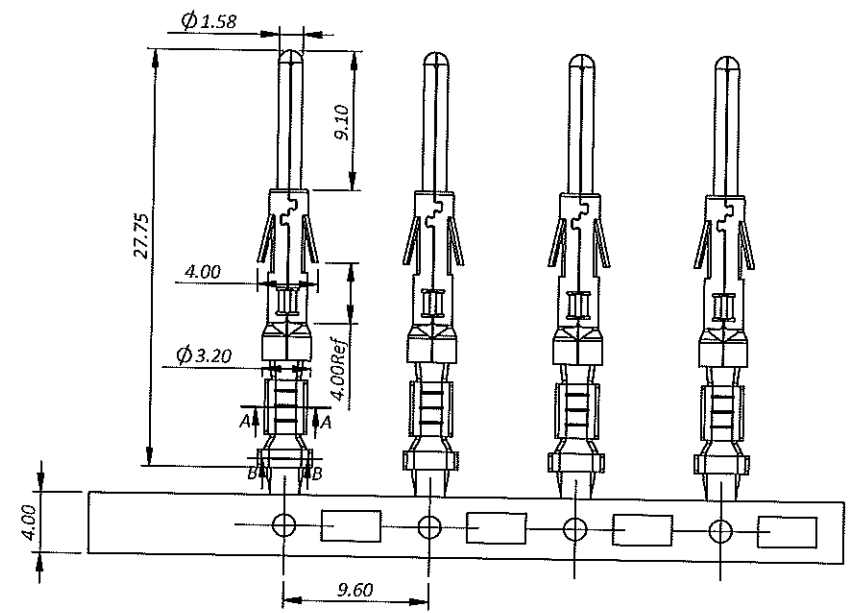
| REVISIONS | | | | | |
|-----------|-----|-----------------|---------|----------|------------|
| REV# | ECR | REVISION ACTION | REV.BY: | APPR.BY: | DATE |
| A | | INITIAL RELEASE | LQ | JL | 04/03/2022 |



剖面 A-A
比例 5:1



剖面 B-B
比例 5:1



注(NOTES):

- 对配母端直径 Mating contact diameter: 1.6mm
- 额定电流 Current rating: 13A
- 端子类型 Terminatin type: Crimp
- 压线规格 Wire size: AWG16~18
- 电镀信息 Plating specification:
镍底, 整个端子镀金.
Gold flash plate overall.
- 材料规格 Material specification:
 - 端子: 铜合金 Contact body: Copper alloy
 - 外套: 不锈钢 Outer spring: Stainless steel
- 符合ROHS ROHS complian

| | | | | | |
|---|--|---|------------------|-----------------|----------------------|
| | Amphenol Technical Products International Asia. | | | | |
| | 第三角投影 THIRD ANGLE PROJECTION | 页面 SHEET 1 OF 1 | 幅面 SIZE A4 | 版次 REV. A | 比例 SCALE |
| 签名 SIGNATURE 制图 DRAWN LQ | 日期 DATE 04/03/2022 | UNLESS OTHERWISE SPECIFIED 1) All dimensions are in metric(mm). 2) Tolerances are as follows: A.PL DEC ± 1.00 2.PL DEC ± 0.50 3.PL DEC ± 0.20 Angles ± 1° | | | DWG NO: HCTM16161 |
| 审核 CHECKED 批准 APPROVAL | 日期 DATE 04/03/2022 | | | | CUST PART # N/A |
| Key Characteristics Contact Amphenol for Latest Definition | Critical 关键特性 Significant 重点特性 | | | | CUST REV. A |

X-ON Electronics

Largest Supplier of Electrical and Electronic Components

Click to view similar products for [Terminals](#) category:

Click to view products by [Amphenol](#) manufacturer:

Other Similar products are found below :

[00-054007-01074-6](#) [00-054007-70206-1](#) [00-054007-70210-8](#) [00-054007-70217-7](#) [00-054007-70228-3](#) [00-054007-70256-6](#) [00-054007-70316-7](#) [00-054007-49560-4](#) [00-054007-70209-2](#) [00-054007-70231-3](#) [00-054007-70241-2](#) [00-054007-70242-9](#) [00-054007-70246-7](#) [00-054007-70263-4](#) [00-054007-70288-7](#) [00-054007-70290-0](#) [00-054007-70300-6](#) [00-054007-70304-4](#) [01-2900-1-04412](#) [0190160084](#) [0190350008](#) [600TS-10](#) [605601-1](#) [60617-1-C](#) [61314-6-C](#) [626-0194](#) [63-S](#) [M55155/079C01](#) [M55155/099B03](#) [M55155/109H01](#) [M55155/12XH05](#) [M55155/29XJ08](#) [M55155/30-6S](#) [M55155/30-9S](#) [M55155/30XI09](#) [M6-14RSX](#) [M86700006](#) [D18-110B-C](#) [D18-110B-M](#) [701-1936](#) [701-1955](#) [701-2003](#) [701-2007](#) [701-2013](#) [701-2018](#) [701-2069](#) [701-2077-60](#) [701-2315](#) [701-2430](#) [701-2480](#)