

Universal, Unity-Gain Base Station and Marine Antenna for the 160 MHz Band

DESCRIPTION

- This multi-purpose, omnidirectional, 0 dBd, rod-type base station and marine antenna covers the 160 MHz band in three models with 10 MHz overlap and can be used in a wide variety of applications.
- The broad-banded $\frac{1}{2} \lambda$ dipole antenna element is sealed in a high-quality conical glass fibre tube with low wind-load, which will ensure undisturbed performance by corrosive environments.
- Provided with the sturdy "LW" mast mount - a lightweight, multipurpose, epoxy-coated mounting bracket made of non-corrosive aluminium.
- The accompanying U-bolts and fittings are made of stainless steel.
- To be mounted on vertical or horizontal mast tubes, 16 to 54 mm in outer diameter.
- The cable can be led either on the outside or along the inside of the mast tube.
- Large bandwidth with respect to both VSWR and gain.
- CXL 2-1LW/... is DC-grounded to substantially reduce noise caused by atmospherical discharges and consequently shows a DC-short across the coaxial cable.
- The CXL 2-1LW/... is a vibration-proof, lightweight, slim-line, corrosion-resistant, modern style base station and marine antenna.
- For extreme marine environments, it is recommended to use the CXL 150-1LW-SS-R/....



SPECIFICATIONS

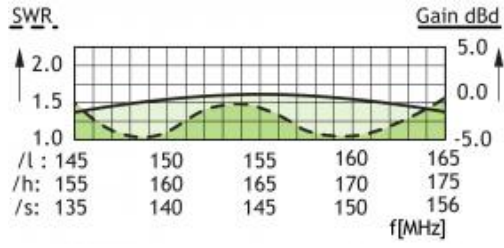
| Electrical | |
|-------------------------|---|
| Model | CXL 2-1LW/... |
| Frequency | 138 - 175 MHz (See ordering codes for sub-models) |
| Antenna Type | Coaxial dipole, broad-banded |
| Max. Input Power | 150 W |
| Polarisation | Vertical |
| 3 dB Beamwidth, E-Plane | 80 ° |
| 3 dB Beamwidth, H-Plane | Omnidirectional |
| Impedance | 50 Ω |
| Gain | 0 dBd (2.2 dBi) |
| VSWR | CXL 2-1LW/s : 138 - 156 MHz ≤ 1.5 CXL 2-1LW/l : 146 - 163 MHz ≤ 1.5 and 146 - 165 MHz ≤ 1.75 CXL 2-1LW/h : 156 - 174 MHz ≤ 1.5 and 155 - 175 MHz ≤ 1.75 |
| Bandwidth | 18 - 21 MHz (dep. on model) |
| Antistatic Protection | All metal parts DC-grounded (Connector shows a DC-short) |
| HCM Code(s) | HCM000ND00, 040DE00 |

| Mechanical | |
|-----------------------------|--|
| Connection(s) | N(f) |
| Materials | Shroud : Polyurethane-coated glass fibre Mounting bracket : Seawater resistant aluminium, epoxy-coated U-bolt and fittings : Stainless steel |
| Colour | White (RAL 9003) |
| Wind Area | 0.0172 sq. m / 0.19 sq. ft |
| Wind Load | 22 N (160 km/h) |
| Dia. At Top End | 8 mm / 0.31 in. |
| Dia. At Bottom End | 16 mm / 0.63 in. |
| Height | Approx. 1300 mm / 51.18 in. |
| Weight | Approx. 0.76 kg / 1.68 lb. |
| Mounting | On 16 to 54 mm / 0.63 x 2.13 in. dia. mast tube |
| Environmental | |
| Operating temperature range | -30 °C to +70 °C |
| Survival Wind Speed | 200 km/h |
| Ingress Protection | IP66 |

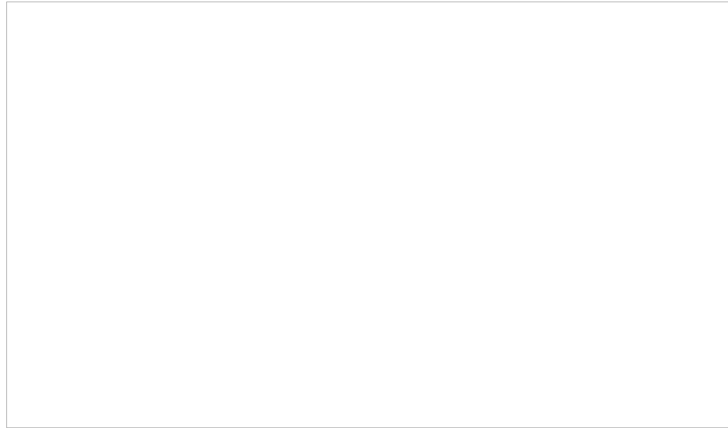
ORDERING

| Model | Product No. | Frequency |
|-------------|-------------|---------------|
| CXL 2-1LW/s | 110000296 | 138 - 156 MHz |
| CXL 2-1LW/l | 110000082 | 146 - 165 MHz |
| CXL 2-1LW/h | 110000080 | 155 - 175 MHz |

TYPICAL GAIN AND SWR CURVES

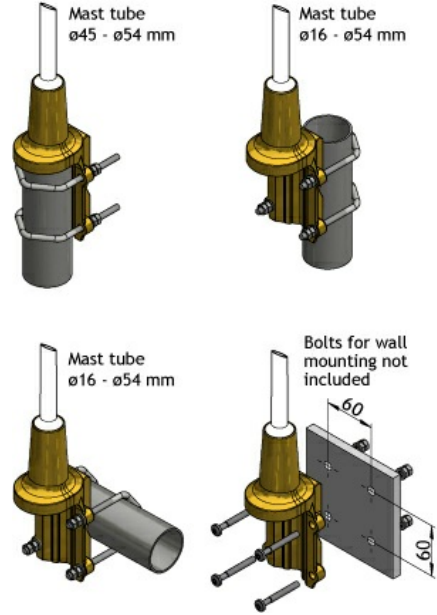


PLEASE NOTE



The antenna is delivered with a DC-connection between the antenna element and the mounting bracket.

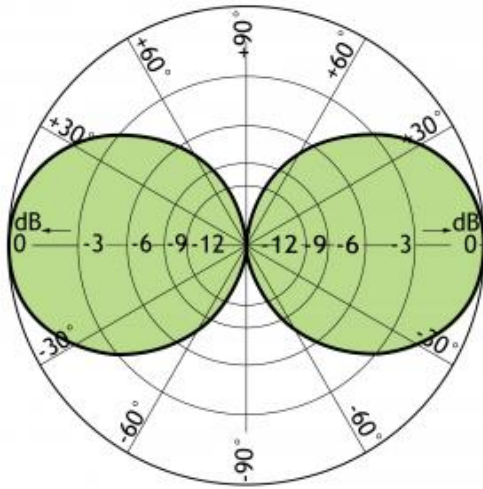
MULTI-PURPOSE MOUNTING BRACKET



PLEASE NOTE

The antenna is delivered with a DC-connection between the antenna element and the mounting bracket.

_X000D_TYPICAL RADIATION PATTERN (E-PLANE)



X-ON Electronics

Largest Supplier of Electrical and Electronic Components

Click to view similar products for [Antennas](#) category:

Click to view products by [Amphenol](#) manufacturer:

Other Similar products are found below :

[930-033-R](#) [108-00014-50](#) [66089-2406](#) [A09-F8NF-M](#) [A09-F5NF-M](#) [RGFRA1903041A1T](#) [W1049B090](#) [WTL2449CQ1-FRSMM](#) [CPL9C](#)
[0600-00060](#) [PAL90209H-FNF](#) [GD53-25](#) [S9025PLSMF](#) [GPSCPMM00](#) [ANTDOM-05-01-WPM](#) [ANT-WP868SMA-Y](#) [CBNC58](#) [ABFT](#)
[LP800NMOW](#) [NMOQ88C](#) [NMOQB](#) [NMOQC](#) [ANT-GSMGPSPUKS](#) [60210](#) [60140](#) [ANT-8WPIG-UFL](#) [ANT-GPSPUKS](#) [A21H0](#) [29000863](#)
[29000848](#) [955179003](#) [RFANT2012090A0T](#) [RGFRA3216110A5T](#) [22100003](#) [DL-T022-2.4G](#) [DL-T023-4G](#) [T1-915M](#) [DL-T021-2.4GW](#) [DL-](#)
[T021-2.4G](#) [KH-IPEX-1.13](#) [BWGNSCNX16-6B1Y2L120](#) [BWGNSCNX15-15B1Y4L120](#) [DL-T023-4GW](#) [DL-J020-433M](#) [J008-GSM](#)
[3N0401LG-021](#) [KHA\(RG1.13\)-TX90B-IPEX](#) [KH-GPS181804-WY](#) [KHA\(RG1.13\)-TX80B-IPEX](#) [TX5800-JZ-5](#)