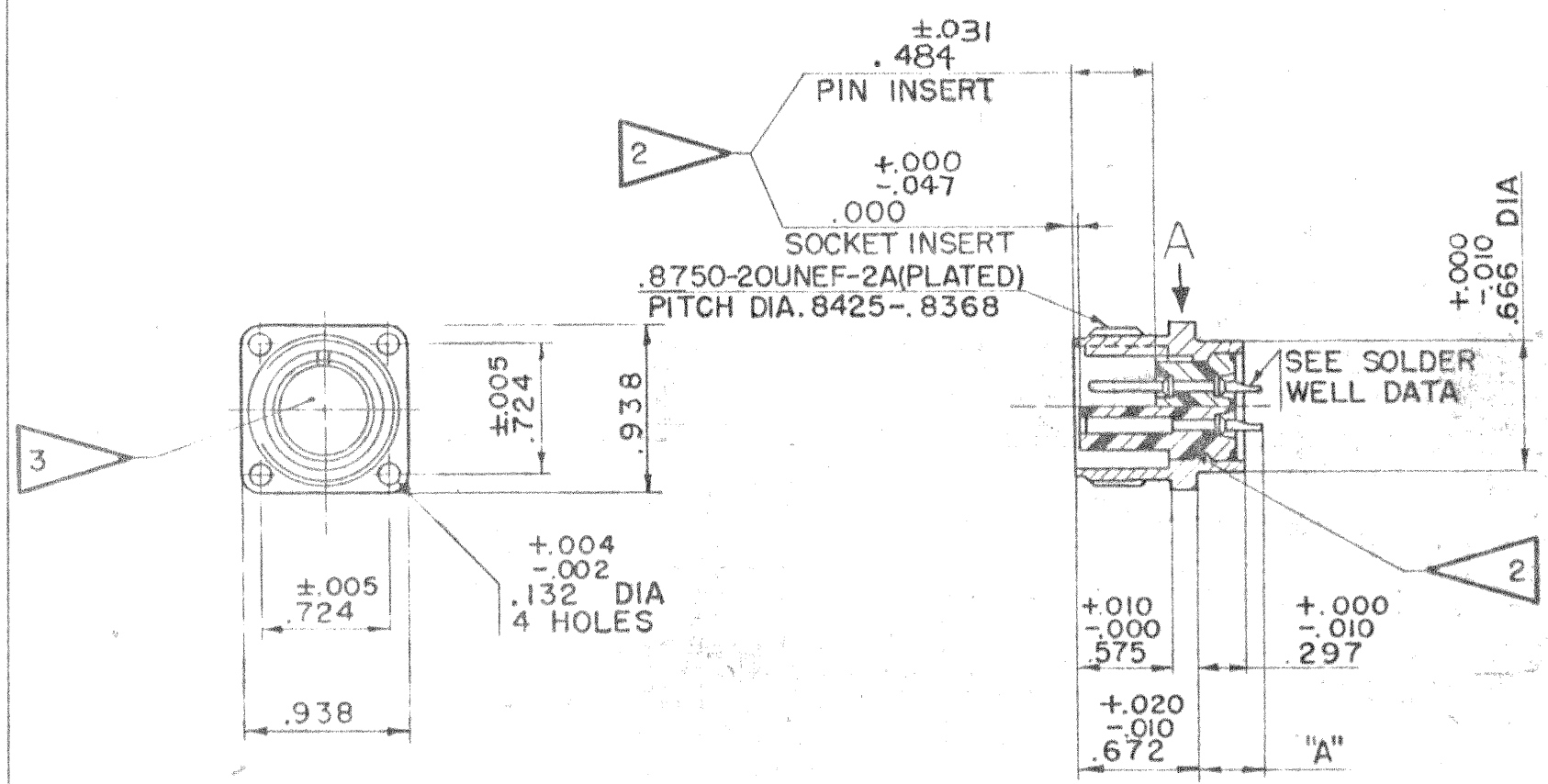
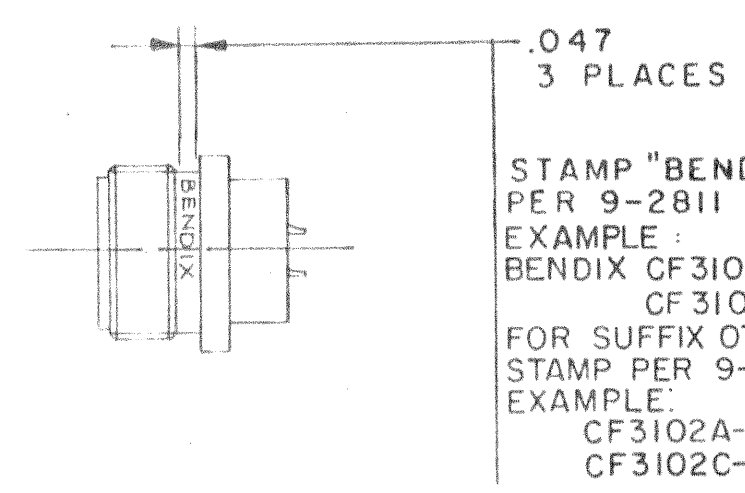
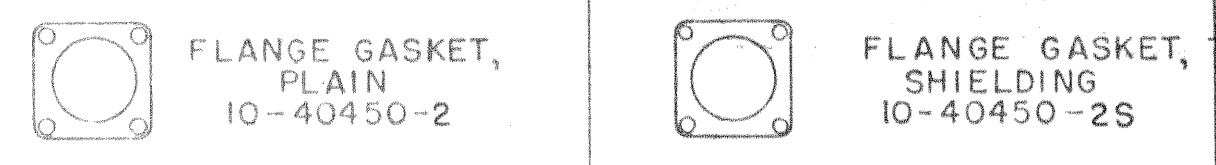


ASSY NO.	CF NO.	SHELL	INSERT	CONTACT			REL WT-LBS
				QUAN	SIZE	PART NO.	
10-36531-1P	⊗-14S-1P	10-36036-143	10-74864-7P	3	16M	10-40569	29508-389
10-36531-1S	⊗-14S-1S	10-36036-143	10-74864-7S	3	16M	10-40568	29508-389
10-36531-6P	⊗-14S-6P	10-36036-143	10-74814-6P	6	16M	10-40569	29524-330
10-36531-6S	⊗-14S-6S	10-36036-143	10-74814-6S	6	16M	10-40568	29524-330
10-36531-7P	⊗-14S-7P	10-36036-143	10-74864-7P	3	16M	10-40569	29524-339
10-36531-7S	⊗-14S-7S	10-36036-143	10-74864-7S	3	16M	10-40568	29524-339
10-36531-5P	⊗-14S-5P	10-36036-143	10-74814-5P	5	16M	10-40569	30524-21
10-36531-5S	⊗-14S-5S	10-36036-143	10-74814-5S	5	16M	10-40568	30524-21
10-36531-2P	⊗-14S-2P	10-36036-143	10-74814-2P	4	16M	10-40569	30508-66
10-36531-2S	⊗-14S-2S	10-36036-143	10-74814-2S	4	16M	10-40568	30508-66
10-36531-4P	⊗-14S-4P	10-36036-143	10-74814-4P	1	16M	10-40569	30524-75
10-36531-4S	⊗-14S-4S	10-36036-143	10-74814-4S	1	16M	10-40568	30524-75
10-36531-9P	⊗-14S-9P	10-36036-143	10-74864-9P	2	16M	10-40569	30524-234
10-36531-9S	⊗-14S-9S	10-36036-143	10-74864-9S	2	16M	10-40568	30524-234

ACCESSORIES  
(NOT PART OF STANDARD ASSEMBLY)



REL	WAS	DATE	D'MAN	APPD.
1	29524-330	ADD B REL -6P,-6S	9-1-54	FGEORGE
2	29524-339	ADD B REL -7P,-7S	9-7-54	FGEORGE
3	30524-21	ADD B REL -5P,-5S	9-30-54	FGEORGE
4	30508-66	ADD B REL -2P,-2S	11-9-54	FGEORGE
5	30524-75	ADD B REL -4P,-4S	11-16-54	E.MICHEL
6	130525-123	9-3107-3, 9-3105-1 (PRO SPEC, NOTE 7)	11-18-55	E.MICHEL
7	30524-234	ADD B REL -9P-9S	3-22-55	KRAFFT
A1	31900-109	INCORP 16M CONTACTS	1-7-59	MUGGLIN
A2	34925-1	10-36532-14(SHELL)	11-4-59	HISCOTT
A3	34525-415	REV NOTE 7	5-25-60	BARTKOW
A4	43525-270	INSERT 10-74864-IP & S (-IP & -IS)	11-21-64	Hayes
A5	45525-891	ADDED NOTE 8 & LOCAL STAMP NOTE	6-1-66	GREER
A6	50006-4	REM SIDE VIEW & DATA; ADD. VIEW A & DATA	12-5-68	CABLE
A7	49525-285	REM NOTE 1	2-14-69	Hayes
B	59663-1	(MFG) REL. "A" & CHG. PICT. OF VIEW AT A	5-19-78	LINDA HALL
C	76020-1	(CLT) WAS .492±.016 (484±.031), .000±.016 (000±.000-.047)	2-6-85	Prosoff

NOTES: REF SYMBOL ◁

- 1. THE UNITS ILLUSTRATED MEET THE PERFORMANCE REQUIREMENTS OF AN3102A & AN3102C.
- 2. DIMENSIONS MUST BE MAINTAINED WHEN INSERTS ARE PRESSED FIRMLY AGAINST INDICATED SHOULDER.
- 3. FOR CONTACT ARRANGEMENTS SEE DRAWING AND 10427.

- 4. FOR ALTERNATE ARRANGEMENTS OF NORMAL INDICATED POSITIONS, SUBSTITUTE APPLICABLE SUFFIX LETTERS TO BASE NUMBERS LISTED ABOVE PER 9-2437.
- 5. FOR ASSEMBLY NUMBERS SEE TABLE ONE OF EACH PART IS REQUIRED UNLESS OTHERWISE SPECIFIED.
- 6. FOR MATING PLUG ASSEMBLIES SEE DRAWING 10-68614 OR 10-68814.
- 7. ALL 10- 8 61- ASSEMBLIES TO BE ASSEMBLED TO 9-3103-1 AND TESTED TO 9-3106-5. ALL 62- ASSEMBLIES TO BE ASSEMBLED TO 9-3238-1 AND TESTED TO 9-3106-4.

CONTACT SIZE	0	4	8	12	16M
WELL DIA					+.004 -.002
WELL DEPTH					.250
DIMENSION "A"					.422

MATERIAL SPEC.		PROCESS SPEC. TEST 9-3106-5 9-3106-4 ASSY 9-3103-1 9-3238-1, 9-2437 9-2811		FINISH SPEC.		SCINTILLA MAGNETO DIVISION BENDIX AVIATION CORPORATION SIDNEY, N. Y., U.S.A.				TOLERANCES UNLESS OTHERWISE SPECIFIED																			
HEAT TREAT SPEC.		NAME RECEPTACLE ASSEMBLY AND INSTALLATION ELECTRICAL CONNECTOR TYPE CF14 FB		D'MAN FGEORGE		CHECKER Karaman		MATERIAL Bibb		STOCK 8-25-54		CH. B'MAN Bibb		APPROVED Karaman		SCALE NO SCALE		FRACTIONS ±		ANGLES		CONCENTRICITY		SURFACE ROUGHNESS MICROINCHES RMS VALUE MAX		NEXT ASSEMBLY		WEIGHT-LINE SEE WT. COL.	
TOOL ACC.		CPM REC. NO.		8-24-54		8-25-54		8-25-54		8-25-54		8-25-54		8-25-54		8-25-54		8-25-54		8-25-54		8-25-54		8-25-54		8-25-54		8-25-54	

10-36531

## X-ON Electronics

Largest Supplier of Electrical and Electronic Components

*Click to view similar products for [Circular MIL Spec Connector](#) category:*

*Click to view products by [Amphenol](#) manufacturer:*

Other Similar products are found below :

[0025-262-542](#) [0025-264-3014](#) [58-570121-04S](#) [0134-202-1200](#) [0134-207-1206](#) [0134-207-1800](#) [0134-207-2207](#) [0134-213-0806](#) [0134-213-1007](#) [0134-213-1009](#) [0134-213-1208](#) [0134-213-1800](#) [0134-213-2209](#) [0025-258-000](#) [015-9516-002](#) [60-042722-19P](#) [0114-201-1278](#)  
[602GB06EG24-61SN](#) [0134-201-1207](#) [0134-201-1806](#) [0134-201-2006](#) [0134-201-2007](#) [0134-201-2010](#) [0134-202-1400](#) [0134-207-0809](#) [0134-207-1208](#) [0134-207-2009](#) [0134-213-1006](#) [6104-207-2302](#) [6104-208-1902](#) [6131-202-19149P](#) [6131-204-21149P](#) [6131-207-13149P](#) [6131-208-13149P](#) [6131-209-17149P](#) [6131-210-11149P](#) [6131-211-19149P](#) [6131-216-19149P](#) [6131-220-25149P](#) [6131-259-11149P](#) [6131-259-21149P](#)  
[6131-259-23149P](#) [6131-263-19149P](#) [6131-265-17149P](#) [6131-265-19149P](#) [CS3102A-20-15P](#) [CS3102A-20-15S](#) [CS3102C18-4P-472](#)  
[CS3106A-20-29P](#) [CS3106A-20-74P](#)